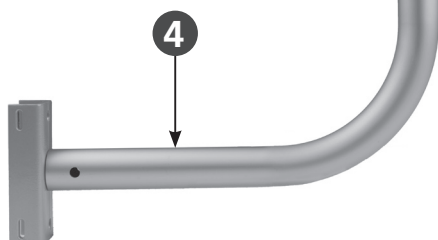
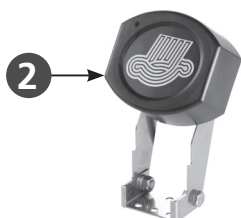


## INSTALLATION AND COMMISSIONING INSTRUCTION

### WR-Set Type BCR Wind and Rain Sensor Set

#### WR-Set Type BCR (Wind and Rain Sensor Set)



**Part.-No.:** 60.303

**Application:** Sensors for wind and rain to work directly with a RWA Control Unit, for closing and blocking the natural ventilation under bad weather conditions.

**Rated voltage:** 24 V DC (+/- 20%)

**Rain sensor:** heated sensor surface, switch-off delay approx. 5 min.

**Contact:** 1x change-over switch, max. 48 V / 5A

**Current consumption:** <150 mA

**Housing:** surface mounting, ABS black with stainless steel bracket

**Dimensions (WxHxD):** 100 x 85 x 172 mm

**Connection cable:** non-halogen cable, approx. 4 m

**Volt free contact:** 1x change-over switch, max. 48 V / 5A

**Wind sensor:** anemometer with 3 impact resistant wind cups (PA6)

**Measuring principle:** pulse generator

**Dimensions:** 250 x 250 x 80 mm

**Connection cable:** non-halogen cable, approx. 4 m

**Set including:**

- ❶ Wind sensor
- ❷ Rain sensor
- ❸ Clamp ring
- ❹ Aluminium bracket for pole or wall mounting without mounting screws



Warranty claims require proper and professional assembly, installation and maintenance in accordance with national regulations and manufacturer's instructions of the RWA Control Unit.

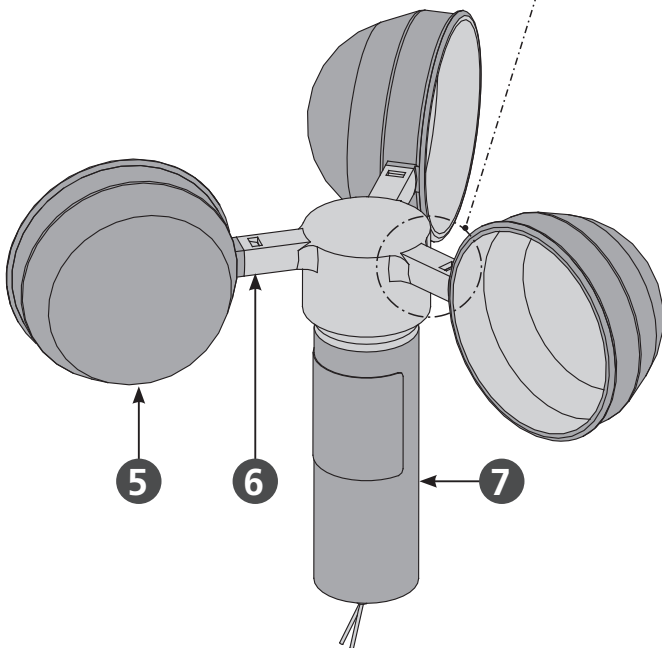
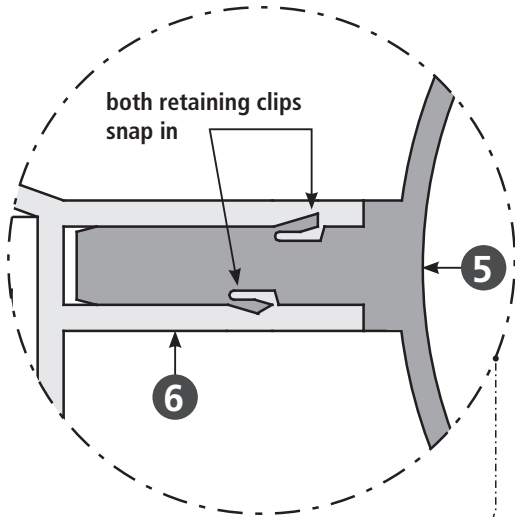
The safety instructions in the supplied product documentation are to be observed.



Strictly observe the information given in this and in the instructions for installation of the RWA Control Unit, when mounting the **WR-Set Type BCR** (Wind and Rain Sensor Set). Details can be found on our website [www.btr-hamburg.de](http://www.btr-hamburg.de)  
Keep this instruction over the lifetime of the product.

### INSTALLATION STEP 1: MOUNT WIND CUPS TO THE WIND SENSOR

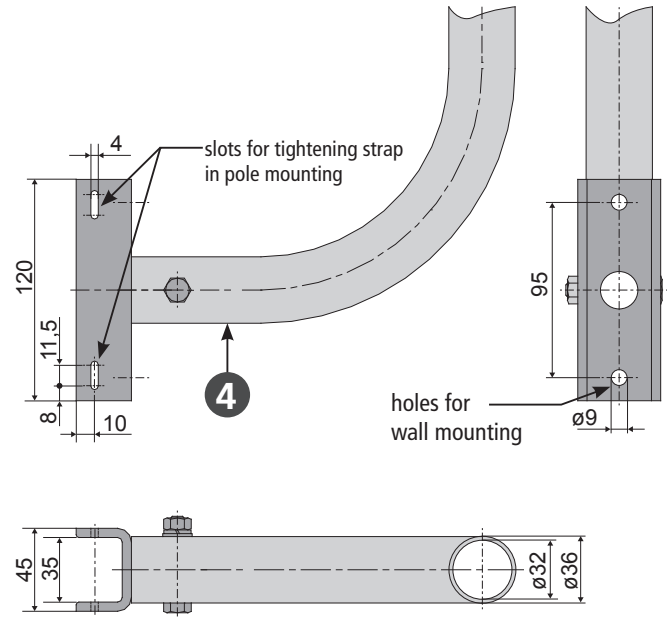
- Insert the Wind cups **5** into the holder of the revolving head **6** - until both retaining clips of the Wind cups **5** snap in.  
To avoid damage to the bearing, hold the revolving head **6** (not the housing tube **7**).



The sensors have to be mounted on the weather side of building. Surrounding part of buildings and electrical products should not affect their function. Adjust the wind speed setting for the specific situation of the building. The lowest wind speed is pre-set.

### INSTALLATION STEP 2: MOUNT BRACKET

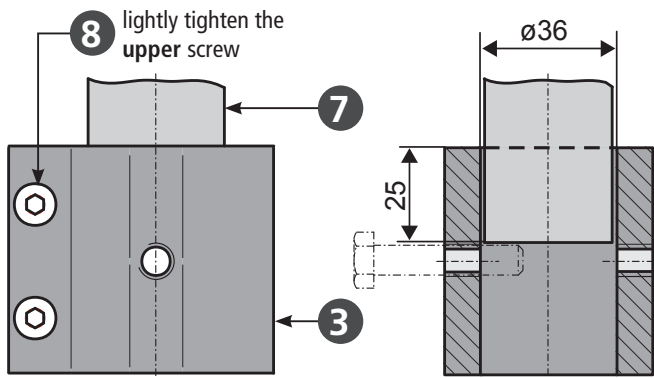
- Fix the bracket **4** to the wall or pole.



The fastening must guarantee the stability even in extreme weather conditions.

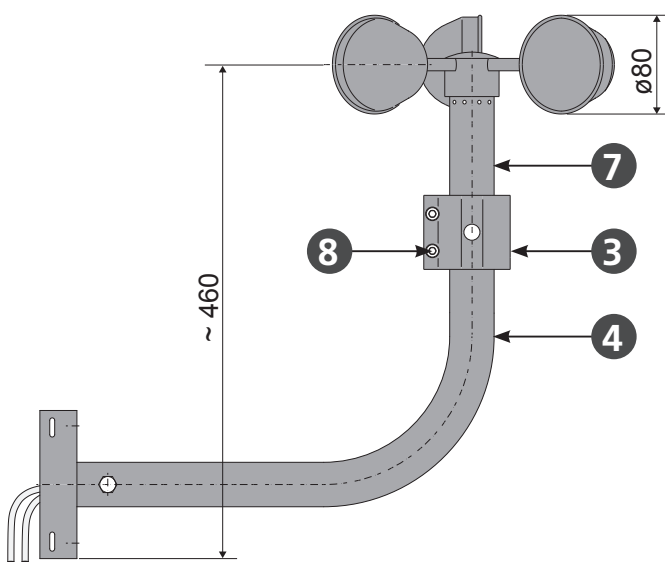
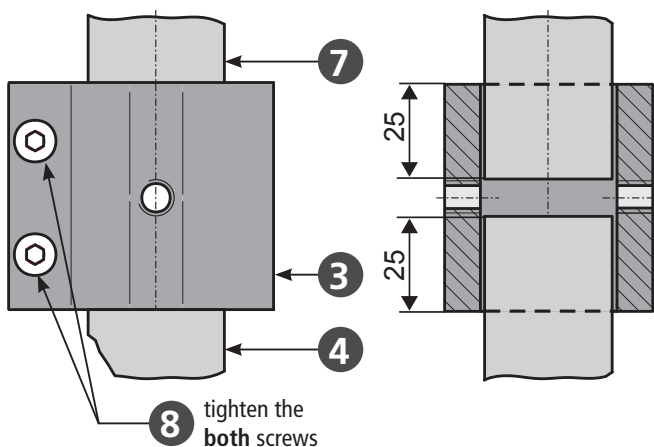
### INSTALLATION STEP 3A: MOUNT WIND SENSOR AND BRACKET TO THE CLAMPING RING

- Plug the housing tube 7 - of the Wind Sensor 1 - 25 mm deep in the clamping ring 3.
- Lightly tighten the upper screw 8.



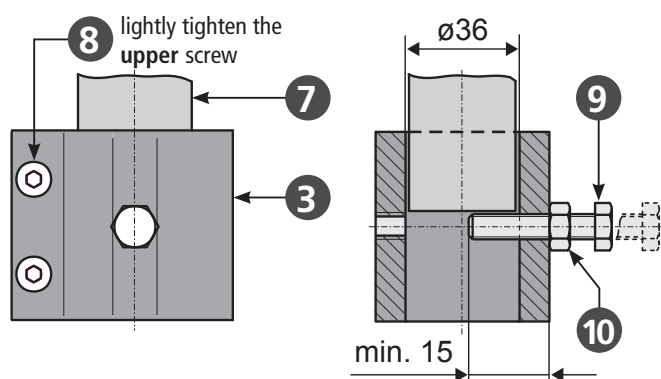
**NOTE** As a stop can be used a screw M8. For mounting the Rain Sensor, the screw can be removed later.

- Plug the clamping ring 3 - with the mounted wind sensor 1 - 25 mm on the bracket 4.
- Tighten both screws 8.

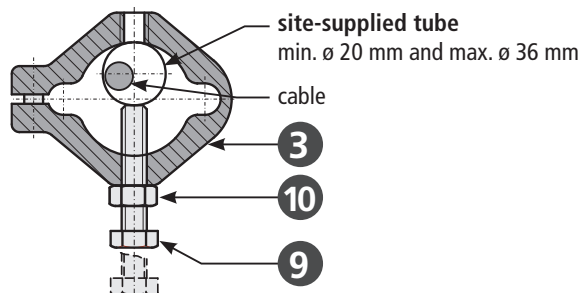
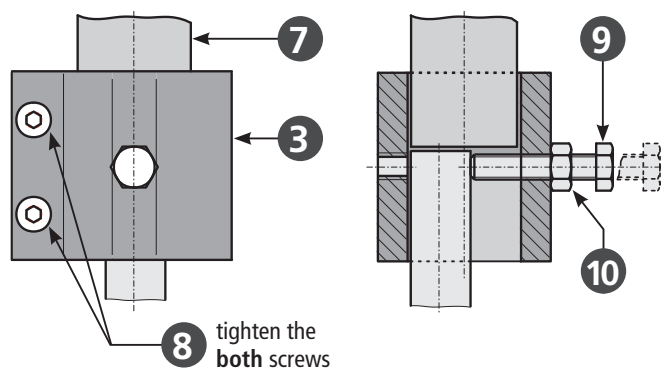


### INSTALLATION STEP 3B: MOUNTING WITH SITE-SUPPLIED TUBE

- **Alternative:** When using a site-supplied tube - instead of the bracket 4 - it's diameter has to be in between  $\varnothing 20$  mm and  $\varnothing 36$  mm.
- Turn the nut 10 on the screw 9.
- Screw in the screw 9 - at least 15 mm deep - in the clamping ring 3.
- Plug the housing tube 7 - of the Wind Sensor 1 - until it stops in the clamping ring 3.
- Lightly tighten the upper screw 8.



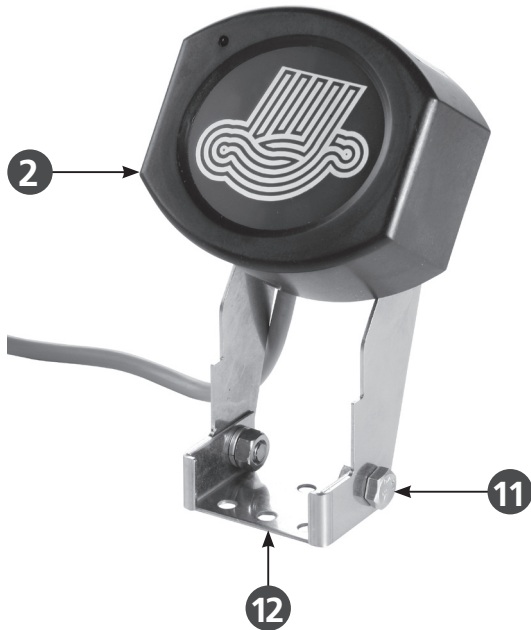
- Turn back the screw 9, so that the site-supplied tube can be inserted into the clamping ring 3.
- Plug the clamping ring 3 - with the mounted wind sensor 1 - on the site-supplied tube.
- Tighten screw 9 and lock with nut 10.
- Tighten both screws 8.



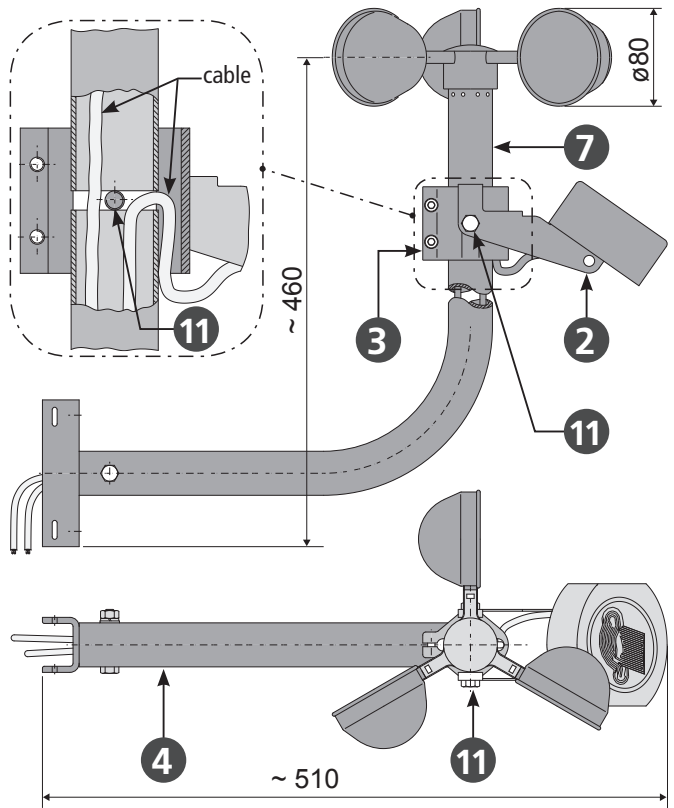
**NOTE** In this application, the Rain Sensor 2 must be mounted to a mounting surface (not on the clamping ring 3). See the instruction of the Rain Sensor.

## INSTALLATION STEP 4: MOUNT RAIN SENSOR ON THE CLAMPING RING

- Loosen the screws 11 .
- Remove the wall bracket 12 from the Rain Sensor 2 .



- Mount the Rain Sensor 2 - with screws 11 - at the clamping ring 3 .



**NOTE**

The tube - of the bracket 4 - serves as cable routing.

## INSTALLATION STEP 5: ELECTRICAL CONNECTION

Connection	
Wind Sensor	Rain Sensor
<p>NO NO</p>	<p>1 2 3 4 5 ± ~ NO NC C</p>



After installation be sure to perform a functional test. To ensure reliable operation in the long term, it is necessary to clean and maintain the device at regular intervals - by an authorized specialist company.



Ground all metal parts electrically.

[www.btr-hamburg.de](http://www.btr-hamburg.de)

◆ BTR GmbH ◆

◆ Gemeindewald 11 ◆ D-86672 Thierhaupten ◆

◆ Telefon: +49 8271 811 92-0 ◆ Fax: +49 8271 811 92-55 ◆