

---

# TL280(R)

Internet Alarm Communicator - International



**INSTALLATION GUIDE v4.0**

For installation manual visit [www.dsc.com](http://www.dsc.com)

---

**Warning:** This manual contains information on limitations regarding product use and function and information on the limitations as to liability of the manufacturer.



# WARNING: INSTALLER PLEASE READ CAREFULLY

## Note to Installers

The warnings on this page contain vital information. As the only individual in contact with system users, it is the installer's responsibility to bring each item in this warning to the attention of all users of this system.

## System Failures

This system has been carefully designed to be as effective as possible. There are circumstances, however, involving fire, burglary, or other types of emergencies where it may not provide protection. Any alarm system of any type may be compromised deliberately or may fail to operate as expected for a variety of reasons. Some, but not all, of the reasons may be:

### Access by Intruders

Intruders may enter through an unprotected access point, circumvent a sensing device, evade detection by moving through an area of insufficient coverage, disconnect a warning device, or interfere with or prevent the proper operation of the system.

### Component Failure

Although every effort has been made to make this system as reliable as possible, the system may fail to function as intended due to the failure of a component.

### Compromise of Radio Frequency (Wireless) Devices

Signals may not reach the receiver under all circumstances which could include metal objects placed on or near the radio path or deliberate jamming or other inadvertent radio signal interference.

### Criminal Knowledge

This system contains security features which were known to be effective at the time of manufacture. It is possible for persons with criminal intent to develop techniques which reduce the effectiveness of these features. It is important that your security system be reviewed periodically to ensure that its features remain effective and that it is updated or replaced if it is found that it does not provide the protection expected.

### Failure of Replaceable Batteries

This system's wireless transmitters have been designed to provide several years of battery life under normal conditions. The expected battery life is a function of the device environment, usage, and type. Ambient conditions such as high humidity, high or low temperatures, or large temperature fluctuations may reduce the expected battery life. While each transmitting device has a low battery monitor which identifies when the batteries need to be replaced, this monitor may fail to operate as expected. Regular testing and maintenance will keep the system in good operating condition.

### Inadequate Installation

A security system must be installed properly in order to provide adequate protection. Every installation should be evaluated by a security professional to ensure that all access points and areas are covered. Locks and latches on windows and doors must be secure and operate as intended. Windows, doors, walls, ceilings and other building materials must be of sufficient strength and construction to provide the level of protection expected. A reevaluation must be done during and after any construction activity. An evaluation by the fire and/or police department is highly recommended if this service is available.

### Inadequate Testing

Most problems that would prevent an alarm system from operating as intended can be found by regular testing and maintenance. The complete system should be tested weekly and immediately after a break-in, an attempted break-in, a fire, a storm, an earthquake, an accident, or any kind of construction activity inside or outside the premises. The testing should include all sensing devices, keypads, consoles, alarm indicating devices, and any other operational devices that are part of the system.

### Insufficient Time

There may be circumstances when the system will operate as intended, yet the occupants will not be protected from an emergency due to their inability to respond to the warnings in a timely manner. If the system is remotely monitored, the response may not occur in time to protect the occupants or their belongings.

## Motion Detectors

Motion detectors can only detect motion within the designated areas as shown in their respective installation instructions. They cannot discriminate between intruders and intended occupants. Motion detectors do not provide volumetric area protection. They have multiple beams of detection and motion can only be detected in unobstructed areas covered by these beams. They cannot detect motion which occurs behind walls, ceilings, floor, closed doors, glass partitions, glass doors or windows. Any type of tampering whether intentional or unintentional such as masking, painting, or spraying of any material on the lenses, mirrors, windows or any other part of the detection system will impair its proper operation.

Passive infrared motion detectors operate by sensing changes in temperature. However their effectiveness can be reduced when the ambient temperature rises near or above body temperature or if there are intentional or unintentional sources of heat in or near the detection area. Some of these heat sources could be heaters, radiators, stoves, barbecues, fireplaces, sunlight, steam vents, lighting and so on.

### Power Failure

Control units, intrusion detectors, smoke detectors and many other security devices require an adequate power supply for proper operation. If a device operates from batteries, it is possible for the batteries to fail. Even if the batteries have not failed, they must be charged, in good condition and installed correctly. If a device operates only by AC power, any interruption, however brief, will render that device inoperative while it does not have power. Power interruptions of any length are often accompanied by voltage fluctuations which may damage electronic equipment such as a security system. After a power interruption has occurred, immediately conduct a complete system test to ensure that the system operates as intended.

### Security and Insurance

Regardless of its capabilities, an alarm system is not a substitute for property or life insurance. An alarm system also is not a substitute for property owners, renters, or other occupants to act prudently to prevent or minimize the harmful effects of an emergency situation.

### Smoke Detectors

Smoke detectors that are a part of this system may not properly alert occupants of a fire for a number of reasons, some of which follow. The smoke detectors may have been improperly installed or positioned. Smoke may not be able to reach the smoke detectors, such as when the fire is in a chimney, walls or roofs, or on the other side of closed doors. Smoke detectors may not detect smoke from fires on another level of the residence or building.

Every fire is different in the amount of smoke produced and the rate of burning. Smoke detectors cannot sense all types of fires equally well. Smoke detectors may not provide timely warning of fires caused by carelessness or safety hazards such as smoking in bed, violent explosions, escaping gas, improper storage of flammable materials, overloaded electrical circuits, children playing with matches, or arson.

Even if the smoke detector operates as intended, there may be circumstances when there is insufficient warning to allow all occupants to escape in time to avoid injury or death.

### Telephone Lines

If telephone lines are used to transmit alarms, they may be out of service or busy for certain periods of time. Also an intruder may cut the telephone line or defeat its operation by more sophisticated means which may be difficult to detect.

### Warning Devices

Warning devices such as sirens, bells, horns, or strobes may not warn people or waken someone sleeping if there is an intervening wall or door. If warning devices are located on a different level of the residence or premise, then it is less likely that the occupants will be alerted or awakened. Audible warning devices may be interfered with by other noise sources such as stereos, radios, televisions, air conditioners, other appliances, or passing traffic. Audible warning devices, however loud, may not be heard by a hearing-impaired person.

## GENERAL

### IMPORTANT

This installation manual shall be used in conjunction with the control panel manual. All the safety instructions specified within that manual shall be observed. The control panel is referenced as the “panel” throughout this document. This installation guide provides the basic wiring, programming and troubleshooting information. Use this guide in conjunction with the Installation Manual available online from the DSC website at [www.dsc.com](http://www.dsc.com).

The Ethernet communicator is a fixed, wall-mounted unit, and shall be installed in the location specified in these instructions. The equipment enclosure must be fully assembled and closed, with all the necessary screws/tabs, and secured to a wall before operation. Internal wiring must be routed in a manner that prevents:

- Excessive strain on wire and on terminal connections,
- Interference between power limited and non power limited wiring,
- Loosening of terminal connections, or
- Damage of conductor insulation.

**WARNING: Never install this equipment during a lightning storm.**

### Safety Information

The installer must instruct the system user on each of the following:

- Do not attempt to service this product. Opening or removing covers may expose the user to dangerous voltages or other risks.
- Any servicing shall be referred to service persons only.
- Use authorized accessories only with this equipment.
- Do not stay close to the equipment during device operation.

### Model Information

This manual covers the following model of alarm communicator: TL280 and TL280R. References to model TL280(R) throughout this manual applies to all specified models unless stated differently. Models ending in “R” include a built-in RS-422 interface for connecting to local third party applications.

**TL280(R):** Is an Ethernet alarm communicator that sends alarm communication to Sur-Gard System I-IP, II, III (SG-DRL3IP), IV (SG-DRL4IP), and 5 (SG-DRL5IP) central station receivers through Ethernet/Internet.

The communicator can be used as either a backup or primary communicator. The communicator supports Internet Protocol (IP) transmission of panel and communicator events over Internet.

### Panel Mounting

The following communicators are compatible with HS2016, HS2032, HS2064, and HS2128 panels:

- **TL280**

### Features

- 128-bit AES encryption via Ethernet/Internet (NIST validation certificate number 2645).
- Ethernet LAN/WAN 10/100 BASE-T.
- Individual Internet periodic test transmission.
- Integrated call routing.
- Visual Verification (Requires Sur-Gard System 5 Receiver)
- Remote firmware upgrade capability of the communicator and panel firmware via Internet.
- Panel remote uploading/downloading support via Internet.
- PC-LINK connection.
- SIA and Contact ID (CID) formats supported.
- Trouble display LEDs.
- Supervision heartbeats sent via Internet.

## EN50131-1 Installation Requirements

For EN50131-1 compliant installations, the following programming options shall be set as described.

Supervision Heartbeat (required for ATS4 and ATS5):

- **[851][004]** set to 0087h (135s heartbeat).

**NOTE:** The compatible receiver at ARC location shall have supervision window programmed for 1800s (ATS4) or 180s (ATS 5).

- **[851][005]** options 1 and 3 shall be enabled

Test transmission (required for ATS3):

- **[851]** System test options **[026]** and **[027]** shall be enabled (FF) for the communication paths available.
- **[851][124]** and **[125]** shall be programmed with time of day for test transmission and 1440 minutes (24h) for test transmission cycle

Configuration of communication paths (all ATS classes)

- **[300][001]** select option 02 for auto routing (this will allow transmission of the events over all available communication paths in the system)
- **[380]** enable option 5 (YES) for parallel transmission over all available communication paths (if redundant configuration is desired)
- **[382]** enable option 5 (YES) this will enable Alternate communicator
- **[384]** enable the desired back-up configuration (receiver 2 back-up for receiver 1 or receiver 3 back-up for receiver 1).

## Technical Specifications, Ratings and Compatibility

**Table 1: Communicator Ratings**

Model	TL280(R)
<b>Power Supply Ratings</b>	
Input Voltage	10.8-12.5 VDC Power is supplied from the panel's PC-Link header or a PCL-422 module in remote cabinet installations. In remote cabinet installations, the PCL-422 module located with the communicator is powered by either an HSM2204 or an HSM2300. Refer to the PCL-422 installation instructions for details.
<b>Current Consumption</b>	
Current	100mA @ 13.66V
<b>Environmental Specifications</b>	
Operating Temperature	-10°C to 55°C
Humidity	5% ~ 93% relative humidity, non-condensing
<b>Mechanical Specifications</b>	
Board Dimensions (mm)	100 × 150 × 15
Weight (grams) with bracket	290

**Table 2: Compatible Receivers, and Panels**

Communicator	Receiver/ Panel	Description
TL280	Receiver	<ul style="list-style-type: none"> <li>• Sur-Gard System I Receiver, version 1.13+</li> <li>• Sur-Gard System II Receiver, version 2.10+</li> <li>• Sur-Gard SG-DRL3-IP, version 2.30+ (for Sur-Gard System III Receiver)</li> <li>• Sur-Gard SG-DRL4-IP version 1.20+ (for Sur-Gard System IV Receiver)</li> <li>• Sur-Gard SG-DRL5-IP version 1.00+ (for Sur-Gard System 5 Receiver)</li> </ul>
	Panel	<ul style="list-style-type: none"> <li>• HS2016</li> <li>• HS2032</li> <li>• HS2064</li> <li>• HS2128</li> </ul>

**NOTE:** Enter [\*][8][Installer Code][900] at keypad to view the panel version number.

## COMMUNICATOR INSTALLATION CONFIGURATION

This Ethernet Communicator shall be installed by service persons only (service person is defined as a person having the appropriate technical training and experience necessary to be aware of hazards to which that person may be exposed to in performing a task and can also take measures to minimize the risks to that person or other persons). The Communicator shall be installed and used within an environment that provides the pollution degree max 2, overvoltages category II, in non-hazardous, indoor locations only. This manual shall be used with the installation manual of the panel which is connected to the Ethernet communicator. All instructions specified within the panel manual must be observed.

All the local rules imposed by local electrical codes shall be observed and respected during installation.

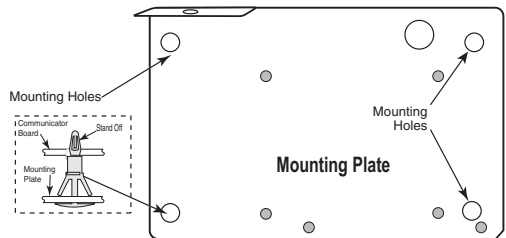
## INSTALLING ETHERNET COMMUNICATOR IN PANEL

### Installing Communicator with HS2016, HS2032, HS2064, and HS2128 Panel

1. To assemble supplied mounting bracket, perform the following: (see **Figure 1**).

- a. Remove the 4 white plastic standoffs from the bag provided with the communicator kit.
- b. Insert the 4 standoffs through the back of the mounting bracket, into the holes at each corner.
- c. Place the bracket on a flat, solid surface. Hold the communicator component side up and orient the 4 holes on the communicator with the 4 standoffs protruding from the bracket. Push the communicator firmly and evenly onto the standoffs until it is securely attached to the mounting bracket.
- d. Remove the panel front cover.
- e. Remove and discard the circular knockout located in the top-right section of the panel.

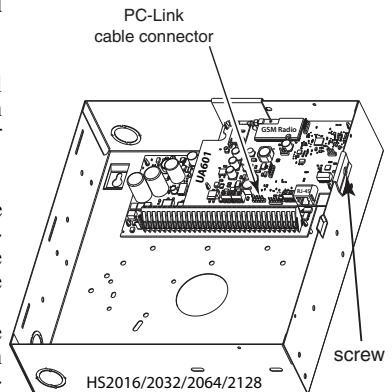
Figure 1: Communicator Mounting Bracket



2. Install the Communicator into the panel:

- a. Attach one end of the PC-LINK cable to the panel PC-LINK header on the panel (red wire goes on the right-hand pin of the panel PCLINK\_2 header (see **Figure 3**)).
- b. Insert the assembled communicator into the panel.
- c. Locate the screw hole on the right side wall of the panel (see **Figure 2** (screw)). Line up the assembled communicator with the right side wall of the panel and, using the screw provided, secure the mounting bracket to the panel.
- d. Attach the other end of the PC-LINK cable to the communicator (red wire goes on the right-hand pin of the **communicator** PC-LINK header (see **Figure 3**)).
- e. Using light pressure (finger tight only), attach the supplied white quad band whip antenna to the threaded antenna connection point at top of the panel.

Figure 2: HS2016/2032/2064/2128 Control Panel

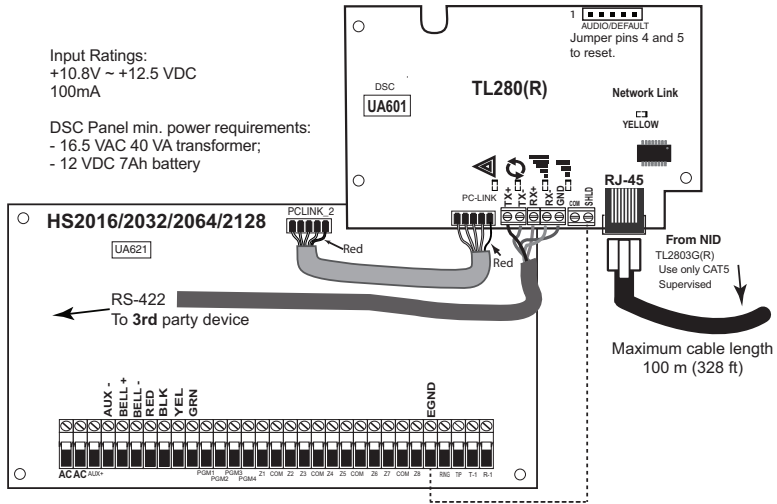


**WARNING! - Modules are power limited. Do not route any wiring over the circuit board. Maintain at least 1in. (25.4mm) separation between circuit board and wiring. A minimum of 1/4 in. (7mm) separation must be maintained at all points between non-power limited wiring and power limited wiring.**

3. To electrically connect the communicator to the panel, perform the following steps (see **Figure 3**).

- a. Disconnect both AC power and battery connections from the panel, and disconnect telephone line.

Figure 3:Communicator Wiring Diagram



4. Install the RS-422 connections (R models only). If using the communicator with a 3rd party device, wire the connections as per the table below:

**Table 3: RS-422 Connections**

3rd Party Device	Communicator
TX+	RX+
TX-	RX-
RX+	TX+
RX-	TX-
GND (Optional)	GND

**NOTE:** The GND connection is optional. DSC recommends connecting GND wire at both ends.

### Install Network Cable

1. Route the CAT 5 Ethernet cable through back of the panel and plug it into the communicator’s RJ45 jack.
2. Perform the following steps for initial power on of the panel with communicator installed:
  - a. Reconnect the AC power, telephone line, and battery + connector to the panel. (The communicator and panel will power up together).
  - b. Observe that the communicator’s red and yellow LEDs are flashing together while it initializes. The red and yellow LEDs will continue to flash until the communicator has successfully communicated to all programmed receivers. If this is the first time the communicator has been powered up, the module will not be able to initiate communication until it has been programmed.

**NOTE:** Initialization may take several minutes to complete. Red and yellow LEDs will flash together during initialization. Do not continue to next step until the red and yellow LEDs have stopped flashing. (If only the yellow LED is flashing, there is a communicator trouble). Correct trouble indicated by flashes on yellow LED before continuing. (for troubleshooting assistance see Table 6 ).

3. Mount the panel in location.

## INITIAL PANEL PROGRAMMING

### HS2016/2032/2064/2128 Initial Programming

Please refer to the panel manual section 'Alternate Communicator Set-up' for details.

1. In panel section [377] 'Communication Variables', subsection [002] 'Communication Delays', sub-subsection [1] 'Communication Delay', program 060 (seconds).
2. In panel section [382] 'Communicator Option 3' set option [5] ON.
3. In panel sections [300] 'Panel/Receiver Communication Paths', subsections [001] to [004], program the subsection with 02 to 06.

**Table 4: Communicator Path Programming**

Value	Communication Method
02	Auto Routing
03	Ethernet 1
04	Ethernet 2

**NOTE:** Refer to panel manual for additional information.

4. In panel section [350] 'Communication Formats', program the communication format as: CID (03) or SIA FSK (04).
5. In panel sections [311] - [318] 'Partition Call Directions', program the call direction options for the system.
6. In panel section [401] 'DLS/SA Options', set toggle option [2] 'User Enable DLS' to **ON** in order to perform panel DLS session through Ethernet.

**NOTE:** Before leaving the premises, the installer should verify all programmed communications paths. See programming options section [851][901] to send immediate test transmissions.

### Communicator Troubles displayed on a HS2016/2032/2064/2128

The communication trouble is the only trouble that will appear on the keypad Liquid Crystal Display (LCD) when encountered by a communicator installed in a HS2016/2032/2064/2128. For more information about the trouble on the communicator module refer to the panel event buffer or by accessing \*2 to view the individual trouble types.

## COMMUNICATOR STATUS LEDS

The communicator has 2 on-board LED indicators: a yellow trouble LED and a red network connection status LED.

### △ Yellow Trouble LED

This yellow LED will flash to indicate a trouble on the unit. The number of flashes indicates the type of trouble. See the table below for the coded flashes and the conditions which will activate the trouble status LED.

**Table 5: Yellow Trouble Status LED**

# of Flashes	Trouble	# of Flashes	Trouble
2	Panel Supervision Trouble	8	Receiver Supervision Trouble
4	Not Applicable	9	FTC Trouble
5	Not Applicable	10	Not Applicable
6	Ethernet Trouble	12	Module Configuration Trouble
7	Receiver Not Available Trouble		

**NOTE:** Only the highest priority trouble (2 flashes is the highest priority trouble) is indicated.

When this trouble is restored, the next highest trouble will indicate, if present. This will continue until all troubles have been cleared (yellow LED is not flashing).

### △ Red Network Connection Status LED

**BLINKING:** Indicates communications in progress.



- Once quickly for outgoing Ethernet transmission.
  - Twice quickly to indicate incoming Ethernet ACK/NACK.
- OFF:** This is the normal state of the red network connection status LED. There are no network connection issues present.
- ON:** There is a problem with the Ethernet network connection. LED will be ON if any of the following occur:
- Ethernet cable is not connected,
  - DHCP configuration times out.

### Network Activity LED (Red)

- **Ethernet Activity:** Red LED will blink quickly once for transmit, or twice for receive.

## COMMUNICATOR TROUBLESHOOTING

**Table 6: Trouble indications**

Trouble indication	Trouble Indicator Digit	Possible Causes	Trouble Possible Solution
No Indication	N/A	No Power	<ul style="list-style-type: none"> <li>• Check the power connections between the panel and the communicator.</li> <li>• Confirm PC-LINK cable is properly installed between communicator and panel.</li> </ul>
Yellow LED – 2 Flashes	02	Panel Supervision Trouble	<ul style="list-style-type: none"> <li>• Check section [382] toggle option[5] is ON (Alternate Communicator Enabled).</li> <li>• Ensure the PC-LINK cable between the panel and communicator is connected properly (not reversed) and is securely in place.</li> </ul>
Yellow LED – 6 Flashes	06	Ethernet Trouble	<ul style="list-style-type: none"> <li>• Check with your ISP to confirm Internet service is active in your area.</li> <li>• Ensure your Ethernet cable is securely inserted into the RJ45 jack of the communicator and the hub/router/switch.</li> <li>• Check the link light on the hub/router/switch is ON. If link light is OFF, start the hub/router/switch.</li> <li>• If DHCP is used, ensure that the unit has an assigned IP address from the server. In Section [851] [992] verify a valid IP address is programmed. If not, contact the network administrator.</li> <li>• If problem persists, replace the Ethernet cable and RJ45 connector.</li> </ul>
Yellow LED – 7 Flashes	07	Receiver Not Available	<ul style="list-style-type: none"> <li>• Ensure that the Ethernet path has Internet connectivity.</li> <li>• If using a static IP address, confirm that the gateway and subnet mask are entered correctly.</li> <li>• If the network has a firewall, ensure the network has the programmed outgoing ports open (default UDP port 3060 and port 3065).</li> <li>• Ensure that all the receivers are programmed for DHCP or have the proper IP address and port number.</li> </ul>
Yellow LED – 8 Flashes	08	Receiver Supervision Trouble	<ul style="list-style-type: none"> <li>• This trouble is indicated when supervision is enabled and the unit is not able to successfully communicate with the receiver.</li> <li>• If this trouble persists, contact your central station.</li> </ul>
Yellow LED - 9 Flashes	09	FTC Trouble	<ul style="list-style-type: none"> <li>• The unit has exhausted all communications attempts to all programmed receivers for events generated by the communicator.</li> <li>• Restart the system, if trouble persists, contact your dealer.</li> </ul>
Yellow LED – 12 Flashes	0C	Module Configuration Trouble	<ul style="list-style-type: none"> <li>• This indication appears when section [021] system account code or sections [101] or [111] receiver account code have not been programmed. Ensure that a valid account code has been entered in these sections.</li> </ul>
Red and Yellow LEDs flashing together	N/A	Initialization Sequence	<ul style="list-style-type: none"> <li>• The unit is still initializing please wait while the unit gets its programming and establishes a connection to all programmed receivers.</li> <li>• <b>Note: This process may take several minutes to complete.</b></li> </ul>
		Boot Loader Failed	<ul style="list-style-type: none"> <li>• If the initialization sequence is taking more than several minutes, the boot loader might have failed.</li> <li>• Confirm that the boot loader has failed by entering communicator programming [*][8][installer code][851].</li> <li>• If access is granted, continue waiting for the initialization sequence to complete.</li> <li>• If access is denied (long error tone), disconnect power from, then reconnect power to the communicator module.</li> </ul>

## ETHERNET PROGRAMMING OPTIONS

The programming sections described in this document can be viewed at the keypad LCD. To start programming enter: [\*][8][installer code] [851] [section number], where section number is the 3 digit section number referenced in this section. The programming worksheets at the end of this document can be used to record the new values when programming changes have been made from the default values.

# ETHERNET PROGRAMMING WORKSHEETS

## System Options

### [001] Ethernet IP Address

Default (000.000.000.000)

### [002] Ethernet IP Subnet Mask

Default (255.255.255.000)

### [003] Ethernet Gateway IP Address

Default (000.000.000.000)

### [004] Receiver Supervision Interval

Default (0087/135) Valid range: 0000 - FFFF.

### [005] System Toggle Options

[1] Ethernet Receiver 1 Supervised Default (OFF).

[2] Reserved.

[3] Supervision Type Default (OFF).

[4] Reserved.

[5] Reserved.

[6] Remote Firmware Upgrade Default (ON).

[7] Alternate Test Transmission Default (OFF).

[8] Reserved.

### [006] System Toggle Options 2

[1] Ethernet Receiver 1 Enabled Default (ON).

[2] Ethernet Receiver 2 Enabled Default (ON).

### [007] DNS Server IP 1

Default (000.000.000.000)

### [008] DNS Server IP 2

Default (000.000.000.000)

## Programming Options

### [010] System Toggle Options 3

[1] Reserved.

[2] Visual Verification Default (OFF).

[3] Reserved.

### [011] Installer Code

Default (CAFE) Valid range: 0000 - FFFF.

### [012] DLS Incoming Port

Default (0BF6/3062) Valid range: 0000 - FFFF.

### [013] DLS Outgoing Port

Default (0BFA/3066) Valid range: 0000 - FFFF.

### [015] DLS Call-Up IP

Default (000.000.000.000)

### [016] DLS Call-Up Port

Default (0000) Valid range: 0000 - FFFF.

### [020] Time Zone

Default (00) Valid range: 00 - 99.

### [021] Account Code

Default (FFFFFF) Valid range: 000001 - FFFFEE.

### [022] Communications Format

Default (04) Program 03 (CID), 04 (SIA).

### [023] Panel Absent Trouble

Default (FF); Program 00 disable or FF enable.

### [024] Panel Absent Trouble Restore

Default (FF) Program 00 disable or FF enable.

## System Test Options

### [026] Ethernet 1 Transmission

Default (FF) Program 00 disable or FF enable.

### [027] Ethernet 2 Transmission

Default (00) Program 00 disable or FF enable.

### [030] FTC Restore

Default (FF) Program 00 disable or FF enable.

### [033] Communicator Firmware Update Begin

Default (FF) Program 00 disable or FF enable.

### [034] Communicator Firmware Update Successful

Default (FF) Program 00 disable or FF enable.

### [035] Panel Firmware Update Begin

Default (FF) Program 00 disable or FF enable.

**[036] Panel Firmware Update Successful**

Default (FF) Program 00 disable or FF enable.

**[037] Panel Firmware Update Fail**

Default (FF) Program 00 disable or FF enable.

**[095] SA Incoming Local Port**

Default (0000) Valid range: 0000 - FFFF.

**[096] SA Outgoing Local Port**

Default (0000) Valid range: 0000 - FFFF.

**[097] SA Call Up IP**

Default (000.000.000.000)

**[098] SA Call Up Port**

Default (0000) Valid range: 0000 - FFFF.

**[099] SA Access Code**

Default (FFFFFFF) Valid range: 00000000 - FFFFFFFF.

**Ethernet Receiver 1 Options**

**[101] Ethernet Receiver 1 Account Code**

Default (0000000000)  
Valid range: 0000000001 - FFFFFFFF00.

**[102] Ethernet Receiver 1 DNIS**

Default (000000) Valid range: 000000 - FFFFFF.

**[103] Ethernet Receiver 1 Address**

Default (127.000.000.001)

**[104] Ethernet Receiver 1 UDP Remote Port**

Default (0BF5/3061) Valid range: 0000 - FFFF.

**[105] Ethernet Receiver 1 UDP Local Port**

Default (0BF4/3060) Valid range: 0000 - FFFF.

**[106] Ethernet Receiver 1 Domain Name**

Default ( ) 32 ASCII characters.

**Ethernet Receiver 2 Options**

**[111] Ethernet Receiver 2 Account Code**

Default (0000000000)  
Valid range: 0000000001 - FFFFFFFF00.

**[112] Ethernet Receiver 2 DNIS**

Default (000000) Valid range: 000000 - 0FFFFF.

**[113] Ethernet Receiver 2 Address**

Default (000.000.000.000)

**[114] Ethernet Receiver 2 UDP Remote Port**

Default (0BF5/3061) Valid range: 0000 - FFFF.

**[115] Ethernet Receiver 2 UDP Local Port**

Default (0BF9/3065) Valid range: 0000 -FFFF.

**[116] Ethernet Receiver 2 Domain Name**

Default ( )

**Ethernet Options**

**[124] Ethernet Test Transmission Time**

Default (9999) Valid: 00-23(HH); 00-59(MM)

**[125] Ethernet Test Transmission Cycle**

Default (000000)  
Valid range: 000000 - 999999 minutes.

**[663] Interactive Toggle Option**

- [1] Interactive Over Serial (ON).
- [2] Reserved.
- [3] Reserved.
- [4] Reserved.
- [5] Interactive Protocol ITV2 (ON).
- [6] Reserved.
- [7] Reserved.
- [8] Reserved.

**Receiver Diagnostic Testing**

**[901] Diagnostic Test Transmission**

- [1] Ethernet 1 Default (OFF).
- [2] Ethernet 2 Default (OFF).

## System Information (Read Only)

[983] Firmware Update Diagnostics  
Section

[984] Communicator Status

[987] Language Version

[988] DNS 1 IP Address

\_\_\_\_\_

[989] DNS 2 IP Address

\_\_\_\_\_

[990] Boot Loader Version

\_\_\_\_\_

[991] Firmware Version

\_\_\_\_\_

[992] Ethernet IP Address

\_\_\_\_\_

[993] Ethernet Gateway Address

\_\_\_\_\_

[998] MAC Address

\_\_\_\_\_

## System Reset Defaults

[999] Software Default

Default (99); Valid entries are 00 or 55

\_\_\_\_\_

## LIMITED WARRANTY

Digital Security Controls (DSC) warrants the original purchaser that for a period of twelve (12) months from the date of purchase, the product shall be free of defects in materials and workmanship under normal use. During the warranty period, Digital Security Controls shall, at its option, repair or replace any defective product upon return of the product to its factory, at no charge for labour and materials. Any replacement and/or repaired parts are warranted for the remainder of the original warranty or ninety (90) days, whichever is longer. The original purchaser must promptly notify Digital Security Controls in writing that there is defect in material or workmanship, such written notice to be received in all events prior to expiration of the warranty period. There is absolutely no warranty on software and all software products are sold as a user license under the terms of the software license agreement included with the product. The Customer assumes all responsibility for the proper selection, installation, operation and maintenance of any products purchased from DSC. Custom products are only warranted to the extent that they do not function upon delivery. In such cases, DSC can replace or credit at its option.

### International Warranty

The warranty for international customers is the same as for any customer within Canada and the United States, with the exception that Digital Security Controls shall not be responsible for any customs fees, taxes, or VAT that may be due.

### Warranty Procedure

To obtain service under this warranty, please return the item(s) in question to the point of purchase. All authorized distributors and dealers have a warranty program. Anyone returning goods to Digital Security Controls must first obtain an authorization number. Digital Security Controls will not accept any shipment whatsoever for which prior authorization has not been obtained.

### Conditions to Void Warranty

This warranty applies only to defects in parts and workmanship relating to normal use. It does not cover:

- damage incurred in shipping or handling;
- damage caused by disaster such as fire, flood, wind, earthquake or lightning;
- damage due to causes beyond the control of Digital Security Controls such as excessive voltage, mechanical shock or water damage;
- damage caused by unauthorized attachment, alterations, modifications, or foreign objects;
- damage caused by peripherals (unless such peripherals were supplied by Digital Security Controls);
- defects caused by failure to provide a suitable installation environment for the products;
- damage caused by use of the products for purposes other than those for which it was designed;
- damage from improper maintenance; or
- damage arising out of any other abuse, mishandling or improper application of the products.

### Items Not Covered by Warranty

In addition to the items which void the Warranty, the following items shall not be covered by Warranty: freight cost to the repair centre; products which are not identified with DSC's product label and lot number or serial number; or products disassembled or repaired in such a manner as to adversely affect performance or prevent adequate inspection or testing to verify any warranty claim.

Access cards or tags returned for replacement under warranty will be credited or replaced at DSC's option. Products not covered by this warranty, or otherwise out of warranty due to age, misuse, or damage shall be evaluated, and a repair esti-

mate shall be provided. No repair work will be performed until a valid purchase order is received from the Customer and a Return Merchandise Authorisation number (RMA) is issued by DSC's Customer Service.

Digital Security Controls' liability for failure to repair the product under this warranty after a reasonable number of attempts will be limited to a replacement of the product, as the exclusive remedy for breach of warranty. Under no circumstances shall Digital Security Controls be liable for any special, incidental, or consequential damages based upon breach of warranty, breach of contract, negligence, strict liability, or any other legal theory. Such damages include, but are not limited to, loss of profits, loss of the product or any associated equipment, cost of capital, cost of substitute or replacement equipment, facilities or services, down time, purchaser's time, the claims of third parties, including customers, and injury to property. The laws of some jurisdictions limit or do not allow the disclaimer of consequential damages. If the laws of such a jurisdiction apply to any claim by or against DSC, the limitations and disclaimers contained here shall be to the greatest extent permitted by law. Some states do not allow the exclusion or limitation of incidental or consequential damages, so that the above may not apply to you.

### Disclaimer of Warranties

This warranty contains the entire warranty and shall be in lieu of any and all other warranties, whether expressed or implied (including all implied warranties of merchantability or fitness for a particular purpose) and of all other obligations or liabilities on the part of Digital Security Controls. Digital Security Controls neither assumes responsibility for nor authorizes any other person purporting to act on its behalf to modify or to change this warranty, nor to assume for it any other warranty or liability concerning this product. This disclaimer of warranties and limited warranty are governed by the laws of the province of Ontario, Canada. Digital Security Controls recommends that the entire system be completely tested on a regular basis. However, despite frequent testing, and due to, but not limited to, criminal tampering or electrical disruption, it is possible for this product to fail to perform as expected.

### Out of Warranty Repairs

Digital Security Controls will at its option repair or replace out-of-warranty products which are returned to its factory according to the following conditions. Anyone returning goods to Digital Security Controls must first obtain an authorization number. Digital Security Controls will not accept any shipment whatsoever for which prior authorization has not been obtained. Products which Digital Security Controls determines to be repairable will be repaired and returned. A set fee which Digital Security Controls has predetermined and which may be revised from time to time, will be charged for each unit repaired.

**END USER LICENCE AGREEMENT**

**IMPORTANT - READ CAREFULLY:** DSC Software purchased with or without Products and Components is Copyrighted and is purchased under the following license terms:

This End-User License Agreement (EULA) is a legal agreement between **You** (the company, individual or entity who acquired the SOFTWARE and any related HARDWARE) and **Digital Security Controls (DSC)**, a division of Tyco Safety Products Canada Ltd., the manufacturer of the integrated security systems and the developer of the software and any related products or components ('HARDWARE') which you acquired.

If the DSC software product ('SOFTWARE PRODUCT' or 'SOFTWARE') is intended to be accompanied by HARDWARE, and is NOT accompanied by new HARDWARE, You may not use, copy or install the SOFTWARE PRODUCT. The SOFTWARE PRODUCT includes computer software, and may include associated media, printed materials, and 'online' or electronic documentation.

Any software provided along with the SOFTWARE PRODUCT that is associated with a separate EULA is licensed to You under the terms of that license agreement.

By installing, copying, downloading, storing, accessing, or otherwise using the SOFTWARE PRODUCT, You agree unconditionally to be bound by the terms of this EULA, even if this EULA is deemed to be a modification of any previous arrangement or contract. If You do not agree to the terms of this EULA, DSC is unwilling to license the SOFTWARE PRODUCT to You, and You have no right to use it.

**SOFTWARE PRODUCT LICENSE**

The SOFTWARE PRODUCT is protected by copyright laws and international copyright treaties, as well as other intellectual property laws and treaties. The SOFTWARE PRODUCT is licensed, not sold, under the following terms:

**GRANT OF LICENSE** This EULA grants You the following rights:

**Software Installation and Use** - For each license You acquire, You may have only one copy of the SOFTWARE PRODUCT installed.

**Storage/Network Use** - The SOFTWARE PRODUCT may not be installed, accessed, displayed, run, shared or used concurrently on or from different computers, including a workstation, terminal or other digital electronic device ('Device'). In other words, if You have several workstations, You will have to acquire a license for each workstation where the SOFTWARE will be used.

**Backup Copy** - You may make back-up copies of the SOFTWARE PRODUCT, but You may only have one copy per license installed at any given time. You may use the back-up copy solely for archival purposes. Except as expressly provided in this EULA, You may not otherwise make copies of the SOFTWARE PRODUCT, including the printed materials accompanying the SOFTWARE.

**DESCRIPTION OF OTHER RIGHTS AND LIMITATIONS**

**Limitations on Reverse Engineering, Decompilation and Disassembly** - You may not reverse engineer, decompile, or disassemble the SOFTWARE PRODUCT, except and only to the extent that such activity is expressly permitted by applicable law notwithstanding this limitation. You may not make any changes or modifications to the Software, without the written permission of an officer of DSC. You may not remove any proprietary notices, marks or labels from the Software Product. You shall institute reasonable measures to ensure compliance with the terms and conditions of this EULA.

**Separation of Components** - The SOFTWARE PRODUCT is licensed as a single product. Its component parts may not be separated for use on more than one HARDWARE unit.

**Single INTEGRATED PRODUCT** - If You acquired this SOFTWARE with HARDWARE, then the SOFTWARE PRODUCT is licensed with the HARDWARE as a single integrated product. In this case, the SOFTWARE PRODUCT may only be used with the HARDWARE as set forth in this EULA.

**Rental** - You may not rent, lease or lend the SOFTWARE PRODUCT. You may not make it available to others or post it on a server or web site.

**Software Product Transfer** - You may transfer all of Your rights under this EULA only as part of a permanent sale or transfer of the HARDWARE, provided You retain no copies, You transfer all of the SOFTWARE PRODUCT (including all component parts, the media and printed materials, any upgrades and this EULA), and provided the recipient agrees to the terms of this EULA. If the SOFTWARE PRODUCT is an upgrade, any transfer must also include all prior versions of the SOFTWARE PRODUCT.

**Termination** - Without prejudice to any other rights, DSC may terminate this EULA if You fail to comply with the terms and conditions of this EULA. In such event, You must destroy all copies of the SOFTWARE PRODUCT and all of its component parts.

**Trademarks** - This EULA does not grant You any rights in connection with any trademarks or service marks of DSC or its suppliers.

**COPYRIGHT** - All title and intellectual property rights in and to the SOFTWARE PRODUCT (including but not limited to any images, photographs, and text incorporated into the SOFTWARE PRODUCT), the accompanying printed materials, and any copies of the SOFTWARE PRODUCT, are owned by DSC or its suppliers. You may not copy the printed materials accompanying the SOFTWARE PRODUCT. All title and intellectual property rights in and to the content which may be accessed through use of the SOFTWARE PRODUCT are the property of the respective content owner and may be protected by applicable copyright or other intellectual property laws and treaties. This EULA grants You no rights to use such content. All rights not expressly granted under this EULA are reserved by DSC and its suppliers.

**EXPORT RESTRICTIONS** - You agree that You will not export or reexport the SOFTWARE PRODUCT to any country, person, or entity subject to Canadian export restrictions.

**CHOICE OF LAW** - This Software License Agreement is governed by the laws of the Province of Ontario, Canada.

**ARBITRATION** - All disputes arising in connection with this Agreement shall be determined by final and binding arbitration in accordance with the Arbitration Act, and the parties agree to be bound by the arbitrator's decision. The place of arbitration shall be Toronto, Canada, and the language of the arbitration shall be English.

**7. LIMITED WARRANTY**

**NO WARRANTY** - DSC provides the SOFTWARE 'as is' without warranty. DSC does not warrant that the SOFTWARE will meet your requirements or that operation of the SOFTWARE will be uninterrupted or error free.

**CHANGES IN OPERATING ENVIRONMENT** - DSC shall not be responsible for problems caused by changes in the operating characteristics of the hardware, or for problems in the interaction of the SOFTWARE with non DSC software or hardware products.

**LIMITATION OF LIABILITY; WARRANTY REFLECTS**

**ALLOCATION OF RISK** - In any event, if any statute implies warranties or conditions not stated in this license agreement, entire liability under any provision of this license agreement shall be limited to the greater of the amount actually paid by you to license the SOFTWARE and five Canadian dollars (CAD\$5.00), because some jurisdictions do not allow the exclusion or limitation of liability for consequential or incidental damages, the above limitation may not apply to you.

**DISCLAIMER OF WARRANTIES** - This warranty contains the entire warranty and shall be in lieu of any and all other warranties, whether expressed or implied (including all implied warranties of merchantability or fitness for a particular purpose) and of all other obligations or liabilities on the part of DSC. DSC makes no other warranties. DSC neither assumes nor authorizes any other person purporting to act on its behalf to modify or to change this warranty, nor to assume for it any other warranty or liability concerning this SOFTWARE PRODUCT.

**EXCLUSIVE REMEDY AND LIMITATION OF WARRANTY** - Under no circumstances shall DSC be liable for any special, incidental, consequential or indirect damages based upon breach of warranty, breach of contract, negligence, strict liability, or any other legal theory. Such damages include, but are not limited to, loss of profits, loss of the SOFTWARE or any associated equipment, cost of capital, cost of substitute or replacement equipment, facilities or services, down time, purchasers time, the claims of third parties, including customers, and injury to property.

DSC recommends that the entire system be completely tested on a regular basis. However, despite frequent testing, and due to, but not limited to, criminal tampering or electrical disruption, it is possible for this Software Product to fail to perform as expected.

## FCC Compliance Statement

**CAUTION: Changes or modifications not expressly approved by the Digital Security Controls could void your authority to use this equipment.**

This equipment has been tested and found to comply with the limits for a Class B digital device, pursuant to Part 15 of the FCC Rules. These limits are designed to provide reasonable protection against harmful interference in a residential installation. This equipment generates, uses and can radiate radio frequency energy and, if not installed and used in accordance with the instructions, may cause harmful interference to radio communications. However, there is no guarantee that interference will not occur in a particular installation. If this equipment does cause harmful interference to radio or television reception, which can be determined by turning the equipment off and on, the user is encouraged to try to correct the interference by one or more of the following measures:

- Re-orient the receiving antenna.
- Increase the separation between the equipment and receiver.
- Connect the equipment into an outlet on a circuit different from that to which the receiver is connected.
- Consult the dealer or an experienced radio/television technician for help.

The user may find the following booklet prepared by the FCC useful: 'How to Identify and Resolve Radio/Television Interference Problems'. This booklet is available from the U.S. Government Printing Office, Washington D.C. 20402, Stock # 004-000-00345-4.

## Industry Canada Statement

This Class B digital apparatus complies with Canadian ICES-003. Cet appareil numérique de la classe B est conforme à la norme NMB-003 du Canada.

## EN50131 Compliant installations

1. The TL280R, TL280 module is monitored by the control panel and it is programmed via the programming menu (\* 8, section [851] in the control panel. The interface is connected to the PC-Link bus as shown in the diagram included in this manual.
2. The Ethernet port is protected against surge transients up to 2.5kV and it is immune to conducted and radiated RF fields with levels up to 10V/m as tested per EN50130-4 Standard.
3. The TL280R, TL280 module conforms with radiated emissions levels for Class B equipment as per standards EN61000-6-3/EN55022/CISPR22.
4. The TL280R, TL280 module uses AES128 encryption and heartbeat supervision for both the Ethernet communication path and it meets security levels S2 as per EN50136-2-1 (EN50131-1). It also uses authentication for each message exchanged with the compatible receiver equipment at ARC and it meets level I2 for information security.
5. The TL280R, TL280 module has only one communication path: Ethernet 10/100BaseT using Internet/Intranet network.

TL280 and TL280R have been certified by Telefication in accordance with EN50131-1 requirements for Grade 2, Class II and ATS Class 3,4,5.



29008729R001

---

**DSC**

*A Tyco International Company*

© 2014 Tyco International Ltd. and its Respective Companies. All Rights Reserved.

Toronto, Canada • [www.dsc.com](http://www.dsc.com)

Tech Support: 1-800-387-3630 (CA, US), 905-760-3000