

Description

ONE micro modules family are devices with the same hardware with three types of configuration that can be use as, general purpose input / output micromodule

All series modules are provided with short-circuit monitoring isolators installed on the intelligent loop circuitry and can be activated by the control panel.

Installation

The modules must be used in combination with compatible control panels employing the communication protocol for monitoring and control. The location of modules should follow recognised national or international installation codes of practice. Connections to the terminals are polarity sensitive thus, please, check them by referring to the wiring diagrams and tables for each model. Modules are provided with a 27 Kohm end of line resistor and a 10 Kohm alarm resistor, depending of the configuration.

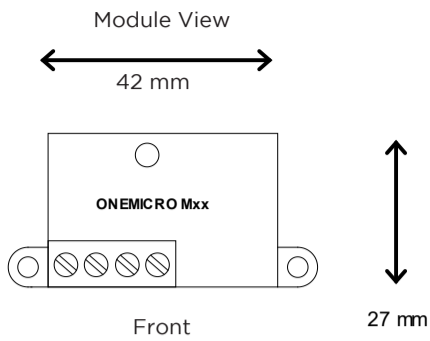
Common Technical Specifications

Loop's voltage	27V
Average current consumption	130 uA (@ 27V)
LED's current consumption	6 mA (@ 27V)
Operating temperature range	From -5°C (min) to +40 °C (max)
Humidity	95% RH (no condensation)
Dimensions	42 x 27 x 15 mm
Maximum wire gauge	1.5 mm ²

Teledata

20063 Cernusco sul Naviglio (MI) - Via Brescia 24 G - Italy
 Tel.: +39 02 27 201 352 - +39 02 25 92 795 | mail: info@teledata-i.com

www.teledata-i.com



Setting the Address

Modules can be addressed by using a special hand-held programming unit (**ONEPROGRAMMER_AP**).

Addresses may be selected over the range from 1 to 240, although, of course, each device on the loop must have a unique address.

- Connect the programmer to the module using the proper cable (refer to the **ONEPROGRAMMER_AP** instruction manual).
- After installing all modules and other loop devices, apply power to the loop in accordance with the panel's installation instructions.

The input / output module holds two addresses. The address assigned by the **ONEPROGRAMMER_AP** always relates to the input channel; the output channel is automatically assigned the consecutive address.

Maintenance

Test the modules periodically according to local codes of practice. Those devices contain no serviceable part, so, should a fault develop, return them to your system supplier for exchange or disposal, according to warranty conditions.

INPUT / OUTPUT Module Configuration

The **ONEMICROM11_AP** input and output module combine in a single device supervised input and output characteristics.

(Reol):27 Kohm.
 (Rw):10 Kohm.

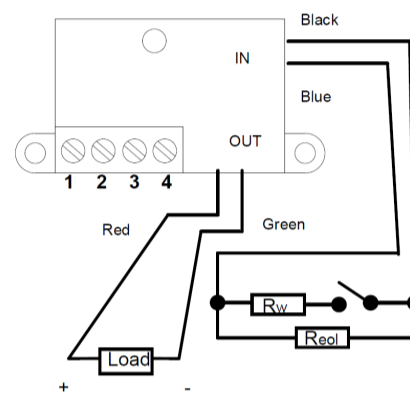
Output is limited to 20mA max.

Terminal	Description
1	Loop line IN (-) Loop Negative input
2	Loop line OUT (-) Loop Negative output
3	Loop line IN (+) Loop Positive input
4	Loop line OUT (+) Loop Positive output
D	Red Wire Output (+)
C	Black Wire Supervised input (-)
E	Violet Wire Output (-)
F	Green Wire Output (-)
B	White Wire Not Used
A	Blue Wire Supervised input (+)

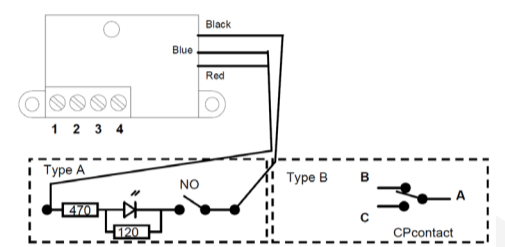
Call Point Module Configuration

The **ONEMICROM10_AP** is the module in callpoint configuration. Call point must be with NO contacts and could control an activation led as diagram
 Max current is limited to 5mA with led on.

Terminal	Description
1	Loop line IN (-) Loop Negative input
2	Loop line OUT (-) Loop Negative output
3	Loop line IN (+) Loop Positive input
4	Loop line OUT (+) Loop Positive output
D	Red Wire Output (+)
C	Black Wire Input (-)
E	Violet Wire Not Used
F	Green Wire Not Used
B	White Wire Not Used
A	Blue Wire Input (+)



General Call Point Diagram



It's possible to connect ONEMICROM10_AP with call point as Type A connection or Type B connection in base to type of conventional call point used. For Type B connections connect C, NC,&NA of call point with A,B & pin as diagram.

Teledata

20063 Cernusco sul Naviglio (MI) - Via Brescia 24 G - Italy
 Tel.: +39 02 27 201 352 - +39 02 25 92 795 | mail: info@teledata-i.com

www.teledata-i.com

Siren Module Configuration

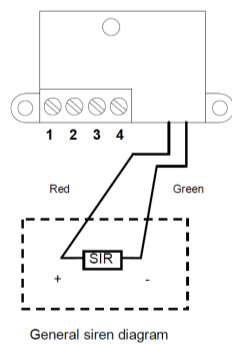
The ONEMICROM01_AP is a module in siren configuration. It can activate a conventional siren.

Max current is limited to 20 mA on out actived.

Terminal	Description
1	Loop line IN (-) Loop Negative input
2	Loop line OUT (-) Loop Negative output
3	Loop line IN (+) Loop Positive input
4	Loop line OUT (+) Loop Positive output
D	Red Wire Output (+)
C	Black Wire Not Used
E	Violet Wire Not Used
F	Green Wire Output (-)
B	White Wire Not Used
A	Blue Wire Not Used

Device's Mounting

According to local electrical regulations, mount securely to a single gang box using the provided screws.



Caution

Disconnect loop power before installing the modules.

Electrostatic Sensitive Device.

Observe precautions when handling and making connections.

WARNING

When switching an inductive load, in order to protect the module from surges caused by counter-EMF, it is important to protect the internal junctions. A diode with a reverse breakdown voltage of at least ten times the circuit voltage (DC applications only) or a varistor (AC or DC applications) should be connected in parallel to the load.

Teledata

20063 Cernusco sul Naviglio (MI) - Via Brescia 24 G - Italy
 Tel.: +39 02 27 201 352 - +39 02 25 92 795 | mail: info@teledata-i.com

www.teledata-i.com

Warnings And Limitations

Our devices use high quality electronic components and plastic materials that are highly resistant to environmental deterioration. However, after 10 years of continuous operation, it is advisable to replace the devices in order to minimize the risk of reduced performance caused by external factors. Ensure that this device is only used with compatible control panels. Detection systems must be checked, serviced and maintained on a regular basis to confirm correct operation.

Smoke sensors may respond differently to various kinds of smoke particles, thus application advice should be sought for special risks. Sensors cannot respond correctly if barriers exist between them and the fire location and may be affected by special environmental conditions. Refer to and follow national codes of practice and other internationally recognized fire engineering standards.

Appropriate risk assessment should be carried out initially to determine correct design criteria and updated periodically.

Warranty

This warranty is invalidated by mechanical or electrical damage caused in the field by incorrect handling or usage.

Product must be returned via your authorized supplier for repair or replacement together with full information on any problem identified.

Full details on our warranty and product's returns policy can be obtained upon request



TELEDATA S.R.L.
 Via Brescia 24 G
 20063
 Cernusco S.N.
 Milano

EN 54-17
 EN 54-18

ONEMICROM11_AP
ONEMICROM01_AP
ONEMICROM10_AP

0370-CPR-3641

Teledata

20063 Cernusco sul Naviglio (MI) - Via Brescia 24 G - Italy
 Tel.: +39 02 27 201 352 - +39 02 25 92 795 | mail: info@teledata-i.com

www.teledata-i.com