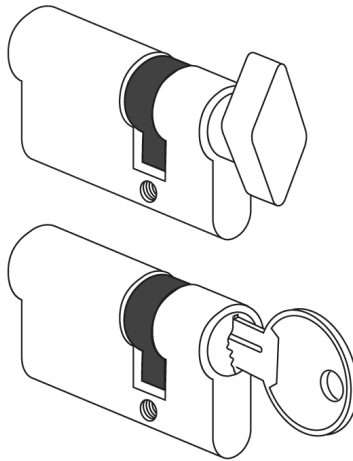


Euro lock cylinder measurement guide



Known by the drop-like shape, the Euro cylinder is very common to European countries. It's operated with a thumbturn or a key on the inside.

i In an attempt to comply with the guidelines issued by the Danish Government in connection with covid-19 situation, you might experience a slight delay in orders placed in the Danalock webshop.

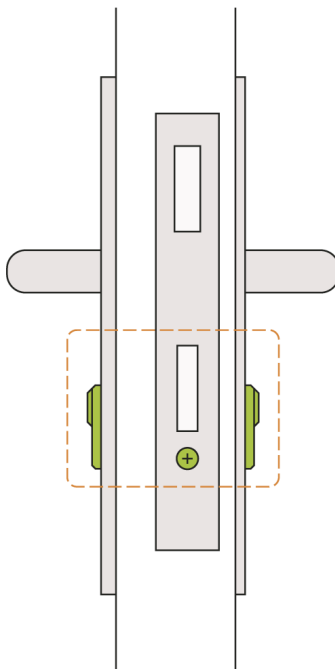
Dismiss



There are several cylinders in the [webshop](#) to choose from, both fixed and adjustable. When ordering a new [Danalock V3 Euro](#) in one of the available models - [Bluetooth](#), [Z-wave](#), [Zigbee](#) or [HomeKit](#) you'll also select a cylinder.

How to measure without removing the cylinder from the door

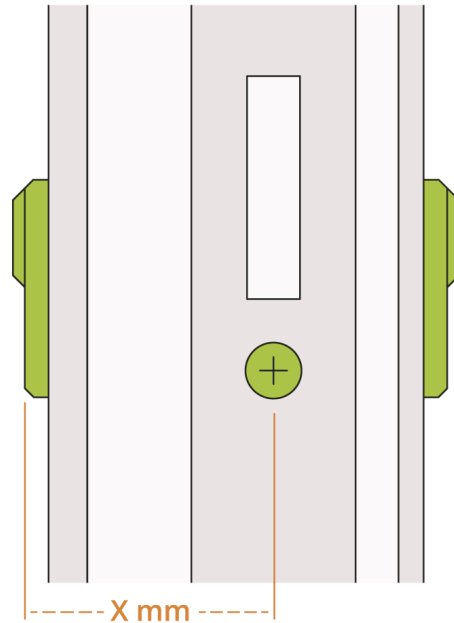
You don't have to remove the cylinder from your door to measure the length of the outer part of the cylinder needed. To make sure you choose a cylinder with the right length, measure the distance from the center of the screw hole to the cylinder part facing toward the outside.



i In an attempt to comply with the guidelines issued by the Danish Government in connection with covid-19 situation, you might experience a slight delay in orders placed in the Danalock webshop.

Dismiss





Close-up showing how to measure

Measure the distance between the screw and the cylinder on the outside of the door.

How to measure the length by removing the cylinder

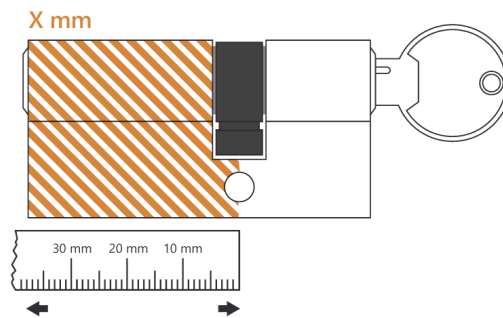
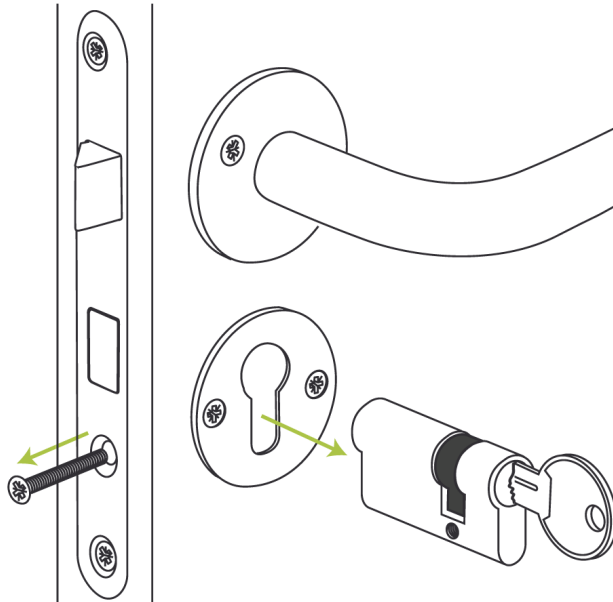
If you are unsure of how to measure the length of your Euro Profile cylinder whilst mounted in the door, you can remove the cylinder.

Remove the cylinder screw, pull out the cylinder, and measure it from the center of the screw hole to the end of the cylinder - remember it has to be the part of the cylinder facing toward the outside.

i In an attempt to comply with the guidelines issued by the Danish Government in connection with covid-19 situation, you might experience a slight delay in orders placed in the Danalock webshop.

Dismiss





i In an attempt to comply with the guidelines issued by the Danish Government in connection with covid-19 situation, you might experience a slight delay in orders placed in the Danalock webshop.

Dismiss

