

Resetable Switch Call Point Installation Manual

※ Features

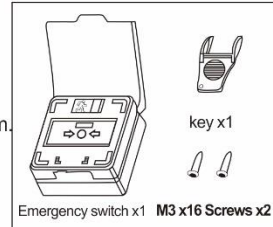
1. Resetable design, obvious indicators around the edges of the unit.
2. Press the pressing plate to enable the output function.
3. Pressing plate with status (green and red) shown.
4. Reversionary key with non-slip design.
5. Input power range from DC12~24V to connect with all types of fire alarm system.
6. Built-in buzzer status to set as silent, interval wailing or continuous wailing
Volume is adjustable.
7. Easy to assemble, outer case without screws, 3 set of output points to connect other equipment, embedded or surface installations to select.

Note: only has output point function.

※ Specifications

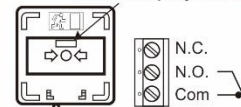
Item	Model	SCP	SCP	Note
Power supply	DC 12V~DC 24V		×	±5 %
Operation current	DC 12V/18mA(Standby)/75mA(Operation)		×	±5 %
	DC 24V/11mA(Standby)/41mA(Operation)		×	±5 %
Buzzer	Set as silent, interval wailing or continuous wailing		×	
Indicator	Dual-color (red and green). Red indicator to set blinking, off or on.		×	
Output	N.O. N.C. & COM. Output (Maximum load of 125V/3A)			
Weight	SCP-100:192g/SCP-110:208g			
Dimensions	90mm(L)x93mm(W)x45mm(H)			
Material	ABS, PC (transparent part)			

※ Accessories



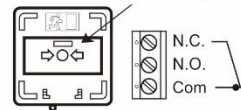
【Standby】

Status display: Green

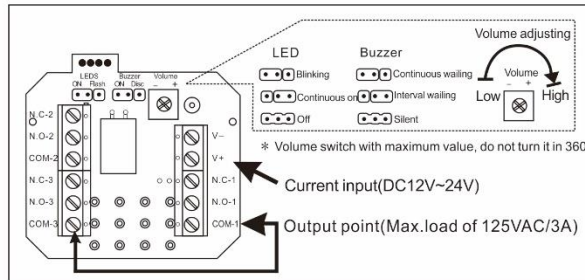


【Operation】

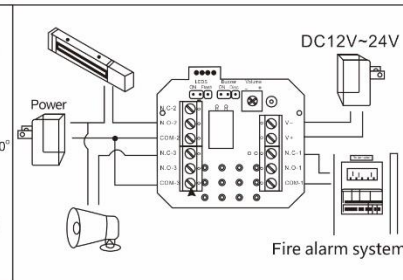
Status display: Red



※ Connections



※ Wiring Diagram



※ Attention before installation

⚠ Please press the pressing plate to make sure the status turns red before opening the front and middle covers in order to prevent the spring being popped out.

1 Press

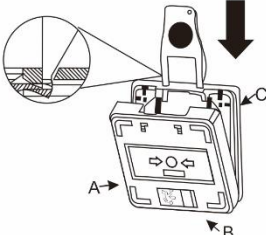
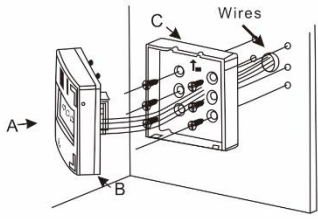
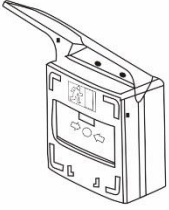
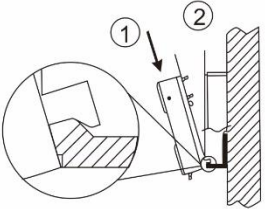
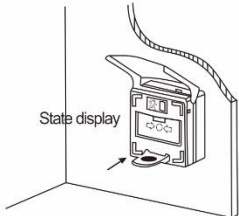
2

▲ Fixed holes embedded box as 60mm.

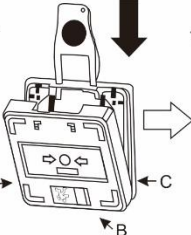
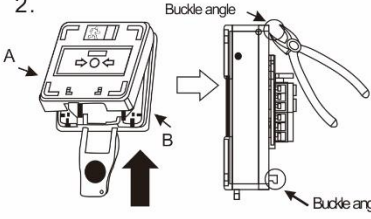
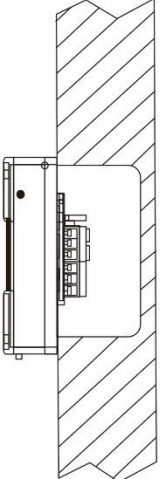
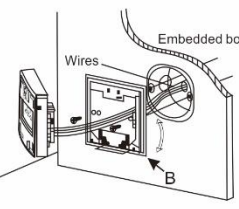
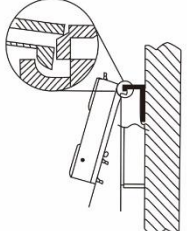
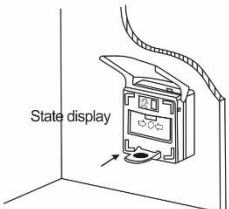
▲ Restricted terminal's aperture shown below.

※ Installation

Surface Installation

Installation steps	<p>1.</p> 	<p>2.</p> 
<p>Completed</p> 	<p>Use key to disassemble B and C fastenings.</p> <p>3.</p>  <p>Fastening the unit as the diagram shown above.</p>	<p>Fix bottom cover C and connect the wires</p> <p>4.</p>  <p>State display</p> <p>Insert the key into the key hole. Pull the key out when the states turns green to complete the setting.</p>

Embedded Installation

Installation steps	<p>1.</p> 	<p>2.</p> 
<p>Lateral view</p> 	<p>Use key to disassemble B and C fastenings.</p> <p>No bottom cover C needed for embedded installation.</p> <p>3.</p>  <p>Fix middle cover B and connect the wires.</p>	<p>Use key to disassemble A and B fastenings.</p> <p>Clip the unnecessary buckle angles.</p> <p>4.</p>  <p>Fastening the unit as the diagram shown above.</p> <p>5.</p>  <p>State display</p> <p>Insert the key into the key hole. Pull the key out when the states turns green to complete the setting.</p>