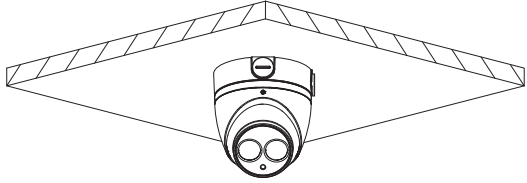
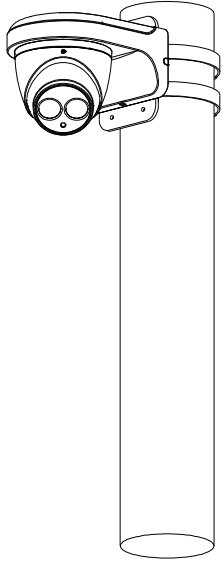
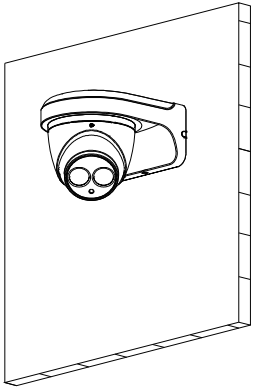


Junction Mount	Pole Mount
PFA130-E	PFB204W + PFA152-E
 A line drawing showing a camera mounted at the center of a square ceiling junction. The camera is oriented downwards, and the ceiling is represented by a square with diagonal hatching lines.	 A line drawing showing a camera mounted on a vertical cylindrical pole. The camera is attached to the top of the pole via a bracket and is oriented downwards.
Wall Mount	
PFB204W	
 A line drawing showing a camera mounted on a rectangular wall plate. The camera is oriented downwards and is secured to the plate with a bracket.	