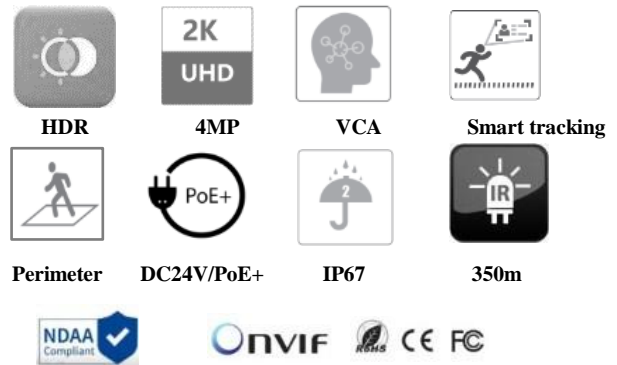




**NGC-7542R**



## System:

NGC-7542R, the 3rd generation of AI PTZ camera which adopts a powerful 40x optical zoom lens, and latest sensor, could deliver 2560x1440@30fps image details over a large open area. The PTZ has a high AI computing engine which can detect max 17 objects per scene and classify human/vehicles within 720m distance. When any of them intrude restricted area, the camera will trace, zoom fit in center of screen, snap and record and trigger alert until object disappeared. Comparing to last Gen, we has revised its gimbal system and improved rotation speed and tilt range for this PTZ camera, applying to longer and faster smart-tracking. It could bring up vivid color image in most areas. Even in the pitch black environment, it could capture human behaviors up to 350m, at a court evidence level. The PTZ has H.265 video compression which reduces bit rate down to 50% of H.264 without loss. And it conforms to the ONVIF, ensuring interoperability between surveillance video products regardless of manufacturers. The PTZ confirms to most security regulation and data protection policy. With excellent picture quality and strong protection, the camera could meet the demand of 7x24Hour working in harsh weather.

## Key Spec:

- Ultra fast rotation and tracking speed, dual belts for longer life.
- Excellent low light performance
- Super long IR supplement light distance
- Deep-learning engine, support human/vehicles detection, auto-tracking
- IP66/IK10/6KV Strong protection,7x24 Hours outdoor harsh weather
- Stable supply-chain, long product life circle
- Confirms to data protection regulations of major countries.

## Application:

Large range area intrusion, perimeter protection and alarm and smart-tracking: such as airport, express way, parks, scenic spots, stations and venues, industrial park.

Geological disaster pre-discovery: seaquake, mudflow, forest fire.

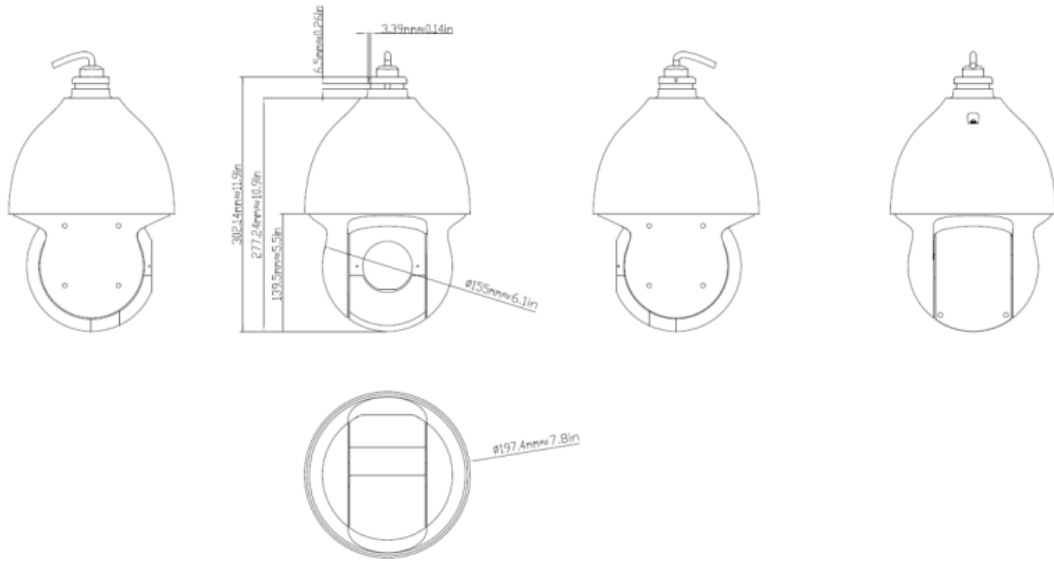
Suggestion installation : at 10-20m in height

## SPECIFICATION:

| Camera Module           |  |                   |                    |                  |                  |
|-------------------------|--|-------------------|--------------------|------------------|------------------|
| Image sensor            | 1/2.8" progressive scan CMOS image sensor, with BSI and NIR++,Dual Gain                                |                   |                    |                  |                  |
| Max resolution          | 2560x1440  |                   |                    |                  |                  |
| Mini. Illumination      | Color: 0.005 Lux @ (F1.2 , AGC ON) ; B/W : 0.001 Lux @(F1.2 , AGC ON);0Lux with IR                     |                   |                    |                  |                  |
| Image setting           | Flip, Mirror, Saturation, Brightness, Contrast, Sharpness, AGC, etc. adjusted by client                |                   |                    |                  |                  |
| Shutter Speed           | 60Hz: 1/30s – 1/30,000s@30fps;50Hz:1/25s~1/25,000s@25fps   |                   |                    |                  |                  |
| White Balance           | Auto/Manual/Indoor/Outdoor   |                   |                    |                  |                  |
| Gain control            | Auto/Manual  |                   |                    |                  |                  |
| Day & Night control     | Auto/Manual ,time schedule.  |                   |                    |                  |                  |
| Iris control            | Auto/Manual  |                   |                    |                  |                  |
| SNR                     | ≥52dB  |                   |                    |                  |                  |
| 3D DNR                  | Auto/Manual  |                   |                    |                  |                  |
| AE Enhancement          | BLC, HLC, DWDR   |                   |                    |                  |                  |
| Digital Zoom            | 16X  |                   |                    |                  |                  |
| Electronical Stabilizer | N/A for this version   |                   |                    |                  |                  |
| Privacy Mask            | 4 areas, up to 8 mask per request.   |                   |                    |                  |                  |
| Picture overlay         | Logo picture could be overlaid on video with 128x128pixels,24bits format                               |                   |                    |                  |                  |
| OSD overlay             | Max 15 characters/line, 8 lines, white or red font color   |                   |                    |                  |                  |
| Lens                    |  |                   |                    |                  |                  |
| Focus length            | f=4.5-180mm lens,40x optical zoom  |                   |                    |                  |                  |
| Zoom Speed              | Approx. 5.2s (optical zoom, wide-tele)   |                   |                    |                  |                  |
| Field of View           | H: 59.1°~1.8°; V: 38.4°~ 1.1°; D: 68.9°~ 2.1°(wide-tele) ±5%   |                   |                    |                  |                  |
| Image distance          | Wide: 1.0m ~ INF; tele: 1.5m ~ INF   |                   |                    |                  |                  |
| Aperture Range          | Max F1.2   |                   |                    |                  |                  |
| Iris Type               | DC_IRIS  |                   |                    |                  |                  |
| IRCut type              | Removable IRCut filter   |                   |                    |                  |                  |
| DORI distance           | Focus length   | Detect            | Observe            | Recognize        | Identify         |
|                         | f=4.5mm  | 99.6m(326.8 f.t.) | 39.5m(129.7 f.t.)  | 19.9m(65.4 f.t.) | 10m(32.7 f.t.)   |
|                         | f=180mm  | 3600m(8126.6f.t.) | 1429m(3250.7 f.t.) | 720m(1625.3f.t.) | 360m(812.7 f.t.) |
| PTZ                     |  |                   |                    |                  |                  |
| Pan Range               | 360°endless  |                   |                    |                  |                  |
| Pan speed               | Configurable, from 0.1~390°/s; Preset speed: 420°/s  |                   |                    |                  |                  |
| Tilt Range              | From -25°to 155°;auto flip at 90°  |                   |                    |                  |                  |
| Tilt Speed              | Configurable, from 0.1~270°/s, Preset speed: 300°/s  |                   |                    |                  |                  |
| Proportional Zoom       | Yes  |                   |                    |                  |                  |
| Preset                  | 360  |                   |                    |                  |                  |
| Cruise                  | 8 cruises, up to 16 presets for each cruises   |                   |                    |                  |                  |
| Trace                   | 4 traces, record time over 3 minutes for each trace  |                   |                    |                  |                  |
| Power off memory        | Support  |                   |                    |                  |                  |
| Action mode             | Preset/Cruise/Trace/Auto Scan/Random Scan  |                   |                    |                  |                  |
| 3D Positioning          | Support  |                   |                    |                  |                  |
| PTZ Position Display    | Support  |                   |                    |                  |                  |
| Schedule Task           | Preset/Cruise/Trace/Random Scan/Boundary Scanning /Dome reboot/ De-frost/Water Removal                 |                   |                    |                  |                  |
| IR                      |  |                   |                    |                  |                  |
| IR Distance             | 350m (1148 f.t.) ,850nm IR   |                   |                    |                  |                  |
| Smart IR                | Yes  |                   |                    |                  |                  |
| Network                 |  |                   |                    |                  |                  |
| Main stream             | 50Hz: 25fps: 2560x1440,1920x1080,1280x960,1280x720; 60Hz: 30fps: 2560x1440,1920x1080,1280x960,1280x720 |                   |                    |                  |                  |
| Sub stream              | 50Hz: 25fps (704 x576, 640 x480, 352 x288); 60Hz: 30fps (704 x480, 640 x480, 352 x240)                 |                   |                    |                  |                  |

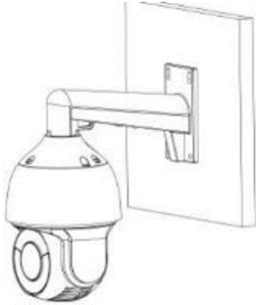
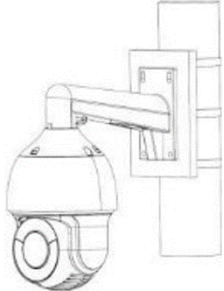

|                           |   |
|---------------------------|---|
| Third Stream              | 50Hz:25fps (1920 × 1080, 1280 × 960, 1280 × 720, 704 × 576, 640 × 480, 352 × 288)<br>60Hz:30fps (1920 × 1080, 1280 × 960, 1280 × 720, 704 × 480, 640 × 480, 352 × 240)                |
| Video compression         | H.265+/H.265/H.264+/H.264/MJPEG   |
| H.264 Standard            | H.264/AVC codec BP/MP/HP, Level 5.1   |
| H.265 Standard            | H.265/HEVC codec MP, level 5.0  |
| Video Bit Rate            | 64 Kbps to 16Mbps   |
| Audio compression         | G.711 A/U   |
| Audio Bit Rate            | 64K bps   |
| Protocols                 | HTTP, HTTPS, IPv4/IPv6, 802.1x, QoS, FTP, SMTP, UPnP, SNMP,DNS, DDNS, NTP, RTSP, RTCP, RTP, TCP/IP, UDP, DHCP, PPPoE,P2P  |
| User / Host               | Up to 16 users, 3 levels: Administrator, Advanced User and Normal User  |
| Security Measures         | User authentication (ID and PW), Host authentication (MAC address); HTTPS encryption, IEEE802.1x port-based network access control; IP address filtering                              |
| API                       | ONVIF A/G/Q/S/T, support Navaio SDK and third-party management platform   |
| Client                    | Navaio N9000 1.4.7, Navaio NVMS 2.0; and the third-party client, free iOS and Android   |
| Web Browser               | App IE8-11 with plug-in; Edge, Chrome, Firefox with plugin free   |
| <b>Smart Features</b>     |   |
| Basic event               | Motion detection, Video tampering alarm, Exception(Network disconnected, IP address conflict, SD full, SD error)  |
| Face recognize            | Face detection & capturing, Max 17faces per scene.  |
| Road traffic              | Vehicle detecting and tracking  |
| Smart Detection           | Tripwire, Bi-directional tripwire, Illegal intrusion detection, Region entrance detection, Region exiting detection, etc. More VCA per request.                                       |
| Smart Tracking            | support smart tracking of human or vehicle, manual/auto   |
| <b>System Integration</b> |   |
| Alarm Interface           | 1 Alarm input(Dry contact); 1 Alarm output  |
| Audio Interface           | 1 audio input, line level, 2.0-2.4Vpp,impedance 1KΩ; 1 audio output, line level, impedance,600Ω   |
| Alarm Linkage             | Alarm actions, such as Preset, Cruise, Trace, Memory Card Video Record, Trigger Recording, Notify Surveillance Center, Upload to FTP/Memory Card, Send Email, etc.                    |
| Network Interface         | 1 RJ45 10M/100M Adaptive Ethernet   |
| SD Card Slot              | One MicroSD slot and chamber, up to 256G  |
| Built-in Speaker & Mic    | N/A   |
| RS485                     | N/A   |
| BNC                       | N/A   |
| Reset button              | Yes   |
| Electric Heater & Fan     | Yes   |
| Water removal             | Remove water-drops by quick spinning(5.1.2 and later)   |
| Frost and fog removal     | Active electric heating and air loop  |
| <b>General</b>            |   |
| languages                 | Czech; English, German; Hungarian; Italian; Japanese; Korean; Portuguese, Polish; Russian, Romanian, Spanish; Spanish(Mexico); Simplified Chinese; Turkish; Traditional Chinese. Etc. |
| Power supply              | DC24V±25% ,PoE+ (802.3.at,type 2), max 23.5W include IR ON+PTZ working  |
| Working condition         | -40℃~70℃ (-40F ~ 158F), IR off; -40℃~50℃,IR on; Cold start>= -30℃(0.5-1hour waiting); 90%RH   |
| Storage condition         | -40℃ ~ 70℃ ; ≤ 95% RH   |
| Protection                | 6000V Lightning Protection, Surge Protection and Voltage Transient Protection   |
| Material                  | Aluminum Alloy (ADC12); Polymer (PC+GF15%)  |
| Dimensions                | Φ 302mm × 197mm (Φ11.9inch × 7.75 inch)   |
| Net Weight                | Approx. 3.0 Kg (6.61 lb.)   |
| Certification             | IP66,IK10(excluding glass window), ROHS, CE, FC,KC, BIS,UKCA  |
| Rotation Life             | At least 10 millions times  |

## Dimensions:



## Accessories(optional):

## Mounting Brackets Options:

| Wall mount  | Pole Mount<br>NAV-SAS   | Corner Mount<br>NAV-SAC   |
|---|---|---|
|  |  |  |