

# IR-35 Series PIR Motion Detector

## Environment Protection with Enhanced Flexibility & Affordability



- Remote Setting and Configuration
- Capability to Enable/disable Pet Immunity

Designed to prevent false alarms triggered by pets or small to medium size animals, IR-35 is a microprocessor controlled PIR Motion Detector that offers quality detection and pet immunity up to 25 kilos. The sensitivity levels of IR-35 can be adjusted to suit different premises. IR-35 leverages Climax's industry-leading RF technologies to deliver super speed signal transmission and extensive communication range.

IR-35 sends regular supervision signals to check system integrity and has tamper-proof design to prevent the opening or removal of its housing. Technologically advanced and aesthetically appealing, IR-35 stands out as a broadly applicable device ready to make your home or business safer and smarter. IR-35 Series stands out as a broadly applicable device ready to make your home or business safer and smarter.

### Features

- Detection range of 12 meters and angle up to 90°
- Mounting height: 2.3-2.5 m
- Pet immunity up to 25 kilos.
- Microprocessor controlled with advanced Adaptive Digital Signal Processing (ADSP) algorithms for false alarm immunity
- Capability to set a jumper to adjust sensitivity levels or turn on and off pet immunity
- Capability to remotely adjust sensitivity levels or turn on and off pet immunity (optional)
- Randomized supervision signals for system integrity
- High immunity to false alarms
- Superior white light and noise rejection
- Automatic power saving mechanism
- Superior radio interference rejection
- Tamper protection against sabotage
- Temperature compensated sensitivity control

### Specifications

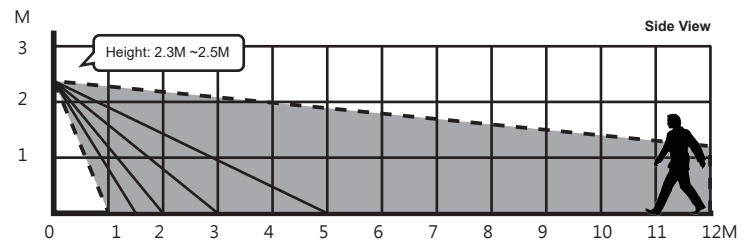
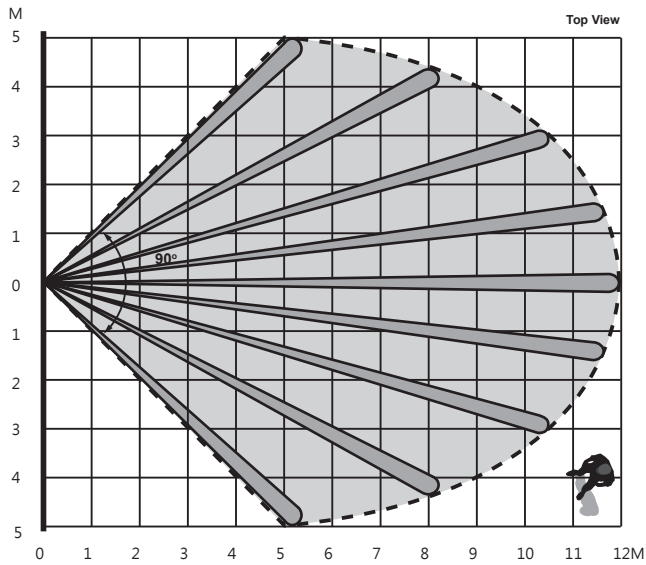
#### IR-35 / IR-35SL

Frequency	868 MHz / 919 MHz / 433 MHz
Power Source	1.5V AA Alkaline batteries x 2 / CR123 battery x 1
Backup Battery life	7.6 years / 5.8 years*
Detection Range	12 meters
Horizontal Detection Angle	90°
Mounting Height	2.3m-2.5m
Operating Temperature	-10°C to 45°C (14°F to 113°F)
Operating Humidity	Up to 85% non-condensing
Dimensions	104 mm x 69 mm x 42.5mm

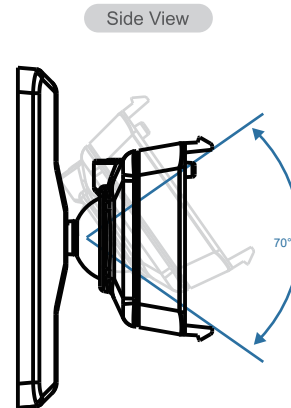
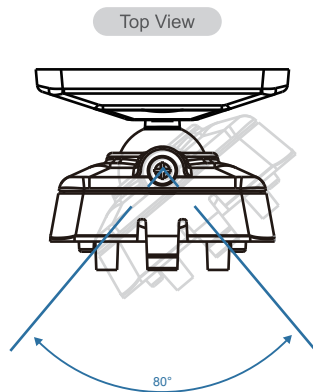
\*Note: Actual battery life may vary due with device settings, usage patterns, and operating environment.

## IR-35 Series PIR Motion Detector Series

### Detection Range



### Compatible with Rotating Holder (Optional)



### Ordering Information

<b>IR-35</b>	PIR Motion Detector powered by two Alkaline batteries
<b>IR-35SL</b>	PIR Motion Detector powered by one CR123 battery
<b>Rotating Holder</b>	Optional mounting accessory