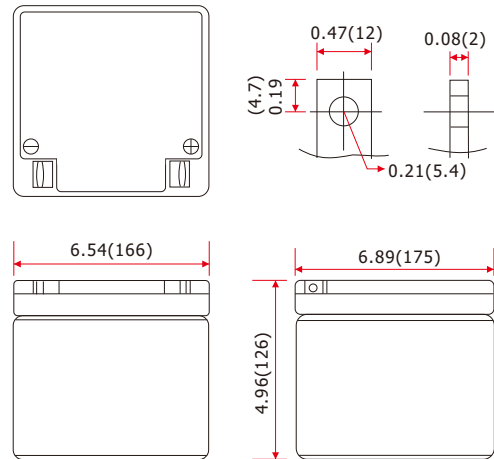


NP26-12

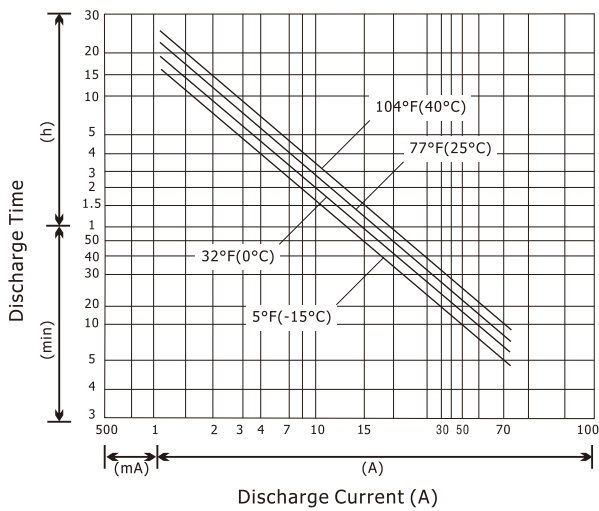
Valve Regulated Sealed Lead-Acid Battery



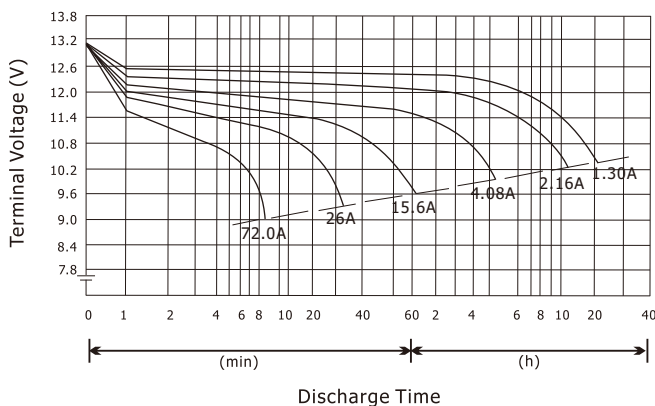
Unit: inch(mm)



Discharge Current and Discharge Duration Time



Discharge Curves 77°F(25°C)



Specification

Nominal Voltage		12V
Rated Capacity (20hr Rate)		26Ah
Dimensions	Length	6.54inches (166mm)
	Width	6.89inches (175mm)
	Height	4.96inches (126mm)
	Total Height	4.96inches (126mm)
Weight	Approx. 16.53lbs (7.50kg)	
Characteristics		
Capacity 77°F(25°C)	20hour rate (1.30A)	26.0Ah
	10hour rate (2.16A)	21.6Ah
	5hour rate (4.08A)	20.4Ah
	1hour rate (15.6A)	15.6Ah
Internal Resistance	Full Charged, 77°F(25°C)	15mΩ
Capacity Affected By Temperature (10hr Rate)	104°F(40°C)	102%
	77°F(25°C)	100%
	32°F(0°C)	85%
	5°F(-15°C)	65%
Self-Discharge 77°F(25°C)	Capacity after 3 month storage	90%
	Capacity after 6 month storage	85%
	Capacity after 9 month storage	65%
Charge (Constant Voltage)	Initial Charge Current "LESS" than 7.80A	
	Cycle	14.4-15.0V/77°F(25°C)
	Stand By	13.5-13.8V/77°F(25°C)

**These data are average values obtained from three Charge/Discharge cycles. Note: These are NOT minimum values.