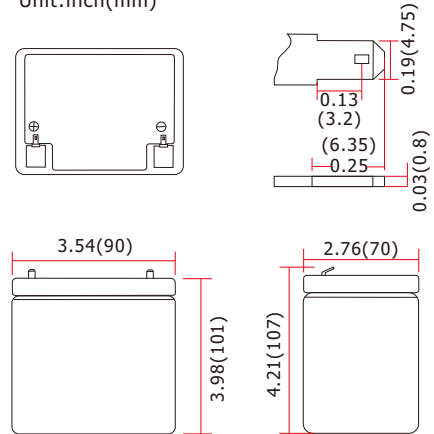


# NP5-12

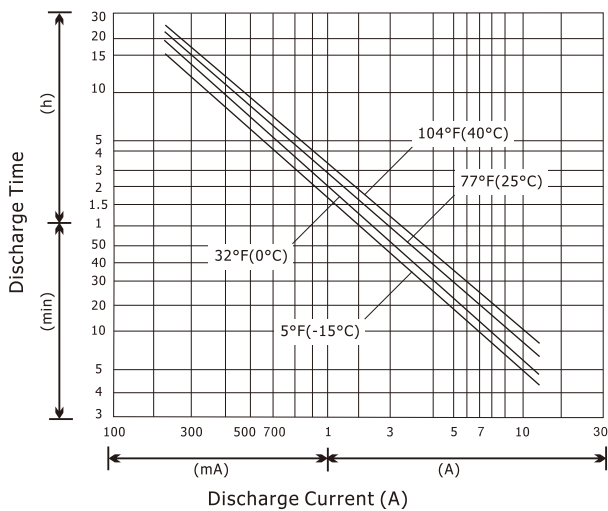
Valve Regulated Sealed Lead-Acid Battery



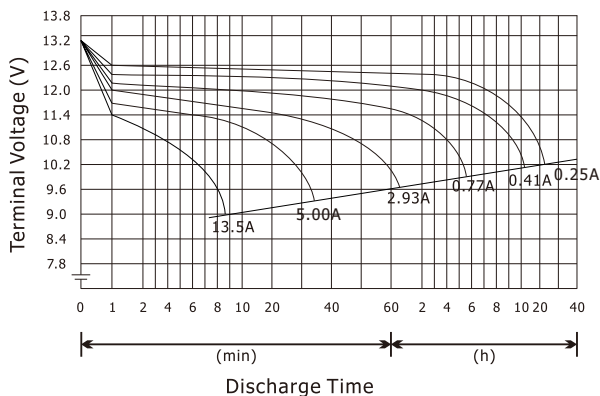
Unit: inch(mm)



## Discharge Current and Discharge Duration Time



Discharge Curves 77°F(25°C)



## Specification

Nominal Voltage		12V
Rated Capacity (20hr Rate)		5Ah
Dimensions	Length	3.54inches (90mm)
	Width	2.76inches (70mm)
	Height	3.98inches (101mm)
	Total Height	4.21inches (107mm)
Weight	Approx. 3.17lbs (1.44kg)	
<b>Characteristics</b>		
Capacity 77°F(25°C)	20hour rate (0.25A)	5.00Ah
	10hour rate (0.41A)	4.10Ah
	5hour rate (0.77A)	3.80Ah
	1hour rate (2.93A)	2.90Ah
Internal Resistance	Full Charged, 77°F(25°C)	50mΩ
Capacity Affected By Temperature (10hr Rate)	104°F(40°C)	102%
	77°F(25°C)	100%
	32°F(0°C)	85%
	5°F(-15°C)	65%
Self-Discharge 77°F(25°C)	Capacity after 3 month storage	90%
	Capacity after 6 month storage	80%
	Capacity after 9 month storage	60%
Charge (Constant Voltage)	Initial Charge Current "LESS" than 1.5A	
	Cycle	14.4-15.0V/77°F(25°C)
	Stand By	13.5-13.8V/77°F(25°C)

\*\*These data are average values obtained from three Charge/Discharge cycles. Note: These are NOT minimum values.