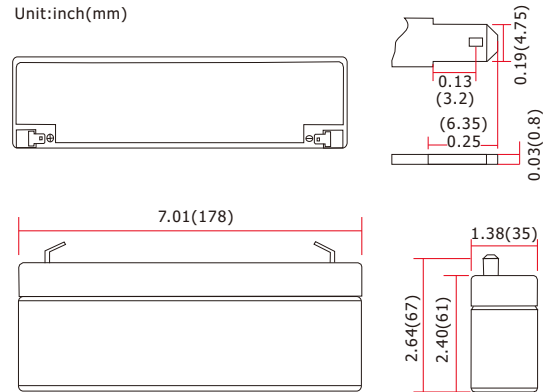


NP2.5-12

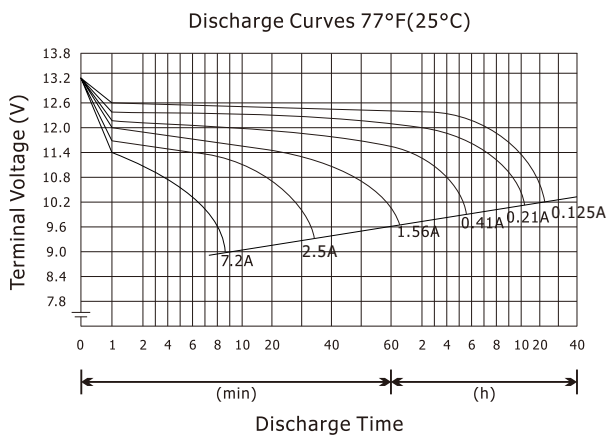
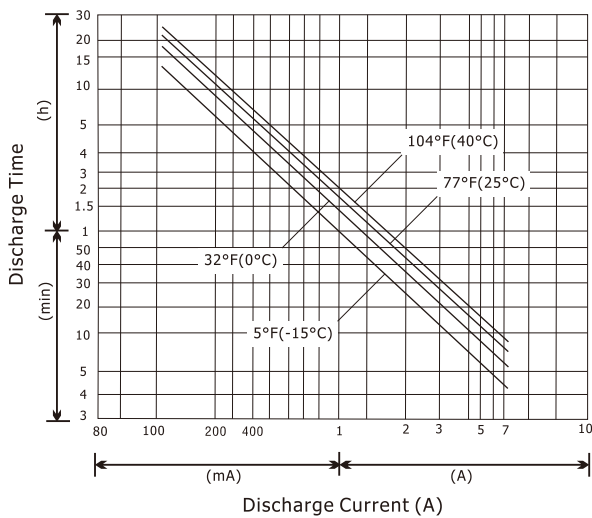
Valve Regulated Sealed Lead-Acid Battery



Unit:inch(mm)



Discharge Current and Discharge Duration Time



Specification

Nominal Voltage	12V	
Rated Capacity (20hr Rate)	2.5Ah	
Dimensions	Length	7.01inches (178mm)
	Width	1.38inches (35mm)
	Height	2.40inches (61mm)
	Total Height	2.64inches (67mm)
Weight	Approx. 1.81lbs (0.82kg)	

Characteristics

Capacity 77°F(25°C)	20hour rate (0.125A)	2.50Ah
	10hour rate (0.21A)	2.21Ah
	5hour rate (0.41A)	2.05Ah
	1hour rate (1.56A)	1.56Ah
Internal Resistance	Full Charged, 77°F(25°C)	65mΩ
Capacity Affected By Temperature (10hr Rate)	104°F(40°C)	102%
	77°F(25°C)	100%
	32°F(0°C)	85%
	5°F(-15°C)	65%
Self-Discharge 77°F(25°C)	Capacity after 3 month storage	90%
	Capacity after 6 month storage	80%
	Capacity after 9 month storage	60%
Charge (Constant Voltage)	Initial Charge Current "LESS" than 0.75A	
	Cycle	14.4-15.0V/77°F(25°C)
	Stand By	13.5-13.8V/77°F(25°C)

**These data are average values obtained from three Charge/Discharge cycles. Note: These are NOT minimum values.