

DUOX<sup>plus</sup>

**FERMAX**

DUOX PLUS SYSTEM

TECHNICAL BOOK

SECTION II

en.

## **DUOX PLUS TECHNICAL BOOK**



The DUOX PLUS technical book consists of two sections:

- Section I: Description of the DUOX PLUS system (Cod. 9701221b-1)
- Section II: DUOX PLUS installation diagrams (Cod. 9701221b-2)

DUOX PLUS Technical Book - Section II  
Code 9701221b-2 V06\_20

This technical document has been edited by FERMAX ELECTRÓNICA S.A.U. for informational purposes, and the company reserves the right to modify any of the technical specifications of the products referred to herein at any time without prior notice. These changes shall be reflected in later editions of the same document.

## INDEX

	NUMBER DIAGRAM	PAGE
 <b>1. INTRODUCTION</b>		<b>8</b>
<b>1.1 EXAMPLE OF A SINGLE-LINE DIAGRAM AND WIRING DIAGRAMS</b>		<b>8</b>
 <b>2. DIAGRAMS</b>		<b>10</b>
<b>2.1 LOCK RELEASE CONNECTION</b>		<b>10</b>
· Alternative current lock release connection.	200	10
· Direct current lock release connection.	201	11
<b>2.2 OUTDOOR PANEL PRE-WIRING</b>		<b>12</b>
· Call extension module ref. 2441 Audio/video pushbutton panel.	202	12
· Call extension module ref. 2008 Audio/video pushbutton panel.	203	13
· Skyline panel (modular) audio/video.	204	14
· Direct panel (keypad) audio/video.	205	15
· Digital Display Extra panel (keypad+display) audio/video.	206	16
<b>2.3 INSTALLATION DIAGRAMS</b>		<b>17</b>
<b>2.3.1 Block diagram with 1 video access</b>		<b>17</b>
· 1 video access with 1 riser. Distribution of 4 terminals per floor.	103	17
· 1 video access with 1 riser. Distribution of 4 terminals per floor.	156	20
· 1 video access with 2 risers. Distribution of 2 terminals per floor.	105	23
· 1 video access with 2 risers. Distribution of 2 terminals per floor.	106	26
· 1 video access with 3 risers. Distribution of 2 terminals per floor.	107	29
· 1 video access with 4 risers. Cascade.	108	32
· 1 video access with 1 riser. Star: 10 branches.	109	35
· 1 video access with 1 riser. Star: 20 branches per floor.	110	36
· 1 video access with 6 risers. Distribution of 2 terminals per floor.	111	39
· 1 video access with 7 risers. Distribution of 2 terminals per floor.	112	43
· 1 video access with 8 risers. Cascade.	113	48
· 1 video access with 8 risers. Distribution of 2 terminals per floor.	114	52
· 1 video access with 1 riser. Distribution of 4 terminals per floor. Distanced outdoor panel (maximum distance 250 m.)	115	57
· 1 video access with 1 riser. Distribution of 6 terminals per floor. Distanced outdoor panel (maximum distance 250 m.)	148	60
· 1 video access with 2 risers. Distribution of 2 terminals per floor. Distanced outdoor panel (maximum distance 250 m.)	116	63
· 1 video access with 3 risers. Distribution of 2 terminals per floor. Distanced outdoor panel (maximum distance 250 m.)	117	66
· 1 video access with 4 risers. Cascade. Distanced outdoor panel (maximum distance 250 m.)	118	69
· 1 video access with 1 riser. Distribution of 4 terminals per floor. Extremely distanced outdoor panel (located at an approximate distance of 500 metres.)	119	72
· 1 video access with 1 riser. Distribution of 6 terminals per floor. Extremely distanced outdoor panel (located at an approximate distance of 500 metres.)	150	75
· 1 video access with 2 risers. Distribution of 2 terminals per floor. Extremely distanced outdoor panel (located at an approximate distance of 500 metres.)	120	78

	NÚMERO ESQUEMA	PÁGINA
· 1 video access with 3 risers. Distribution of 2 terminals per floor. Extremely distanced outdoor panel (located at an approximate distance of 500 metres.)	121	81
· 1 video access with 4 risers. Cascade. Extremely distanced outdoor panel (located at an approximate distance of 500 metres.)	122	84
· 1 video access with 1 riser. Star: 20 branches per floor.	151	87
· 1 video access with 1 riser. Star: 12 branches per floor.	153	93
· 1 audio guard unit and 1 pushbutton panel with 1 riser and regenerator. Distribution 5 telephones per floor.	154	99
· 1 video access with 1 riser. Distribution of 8 terminals per floor . Distanced outdoor panel (maximum distance 250 m.)	155	102
· 1 Acceso Video con 1 Troncal.Distribución 8 terminales por planta con regenerador.	157	105
<b>2.3.2 Block diagram with 2 video accesses</b>		<b>108</b>
· 2 video accesses with 1 risers. Distribution of 4 terminals per floor.	123	108
· 2 video accesses with 2 risers. Distribution of 2 terminals per floor.	124	111
· 2 video accesses with 3 risers. Distribution of 2 terminals per floor.	125	114
· 2 video accesses with 4 risers. Cascade.	126	117
· 2 video accesses with 5 risers. Distribution of 2 terminals per floor	127	120
· 2 video accesses with 6 risers. Distribution of 2 terminals per floor	128	124
· 2 video accesses with 7 risers. Distribution of 2 terminals per floor	129	128
· 2 video accesses with 8 risers. Distribution of 2 terminals per floor	131	133
· 2 video accesses with 8 risers. Cascade.	130	138
<b>2.3.3 Block diagram with 3 video accesses</b>		<b>142</b>
· 3 video accesses with 3 risers. Distribution of 2 terminals per floor	132	142
· 3 video accesses with 4 risers. Cascade	134	146
<b>2.3.4 General entrances to internal blocks without outdoor panels</b>		<b>150</b>
· General entrance with 1 video access to 3 internal blocks without outdoor panels First block. 1 Riser Distribution of 4 terminals per floor Second block. 2 Risers Distribution of 2 terminals per floor Third block. 2 Risers Cascade	137	150
· General entrance with 2 video accesses to 3 internal blocks without outdoor panels First block. 1 Riser Distribution of 4 terminals per floor Second block. 2 Risers Distribution of 2 terminals per floor Third block. 2 Risers Cascade	139	155
· General entrance with 1 audio guard unit to 3 distributions in star format without outdoor panels First Star: 8 Villas Second Star: 8 Villas Third Star: 8 Villas	145	161
· General entrance with 1 audio guard unit to 3 equal internal blocks without outdoor panels Each block. 1 Riser Distribution of 2 terminals per floor	146	166

	NÚMERO ESQUEMA	PÁGINA
<b>2.3.5 General entrances to internal blocks with outdoor panels.</b>		<b>171</b>
· General entrance with 1 video access to 3 internal blocks with outdoor panels. First block. 1 video access with 1 riser. Distribution 4 terminals per floor. Second block. 1 video access with 2 risers. Distribution 2 terminals per floor. Third block. 1 video access with 2 risers. Cascade.	138	171
· General entrance with 2 video accesses to 3 internal blocks with outdoor panels. First block. 1 video access with 1 riser. Distribution 4 terminals per floor. Second block. 1 video access with 2 risers. Distribution 2 terminals per floor. Third block. 1 video access with 2 risers. Cascade.	140	179
· General entrance with 3 video accesses to 3 internal blocks with outdoor panels. First block. 1 video access with 1 riser. Distribution 4 terminals per floor. Second block. 1 video access with 1 riser. Distribution 6 terminals per floor. Third block. 1 video access with 5 risers. Cascade.	141	188
· General entrance with 3 video accesses (Distanced outdoor panels: maximum distance of 200 metres) to 3 internal blocks with outdoor panels. First block. 1 video access with 1 riser. Distribution 4 terminals per floor. Second block. 1 video access with 1 riser. Distribution 6 terminals per floor. Third block. 1 video access with 5 risers. Cascade.	143	198
· General entrance with 1 video access to 5 equal villas with outdoor panels Each villa. 1 video access with 1 line to a monitor	142	208
· General entrance with 2 video accesses to 5 equal villas with outdoor panels Each villa. 1 video access with 1 line to a monitor	144	215
· General entrance with 1 audio guard unit to 3 equal internal blocks with panels Each block. 1 video access with 1 riser. Distribution 2 terminals per floor.	147	223
· General entrance with 1 video access and 1 audio guard unit to 3 equal internal blocks with panels. Each block. 1 video access with 1 riser. Distribution 6 terminals per floor.	152	231
<b>2.3.6 Basic kits.</b>		<b>240</b>
· 1 Line Kit.	101	240
· 1 Line kit with 1 additional monitor.	101B	241
· 1 Line Kit with 2 additional monitors.	101C	242
· 2 Line Kit.	102B	243
<b>2.4 EXTENSIONS AND ACCESSORIES</b>		<b>244</b>
· Light and buzzer commander	207	244
· Call extender	208	244
· Additional apartment door bell pushbutton	209	245
· Egress pushbutton for door release from the inside	210	245
· Extension of 2 apartment terminals with power supply set	211	246
· DUOX PLUS relay for the release of a 2nd door (outdoor panel with a lternative lock release)	212	247



 DUOX PLUS INSTALLATION DIAGRAMS

# 1. INTRODUCTION

Section II of the DUOX PLUS Technical Book is the part which deals with diagrams.

The diagrams have been designed based on what are considered to be the most common types of real-life installations.

Each installation includes 2 types of diagram:

- Single-line diagram.
- Wiring diagrams.

The **single-line diagram** is a graphic representation of the installation in which the collection of wires is represented by one single line regardless of the quantity of wires. The single-line diagrams in this book have been designed to fit on a single page, so that the complete installation can be seen at a glance.

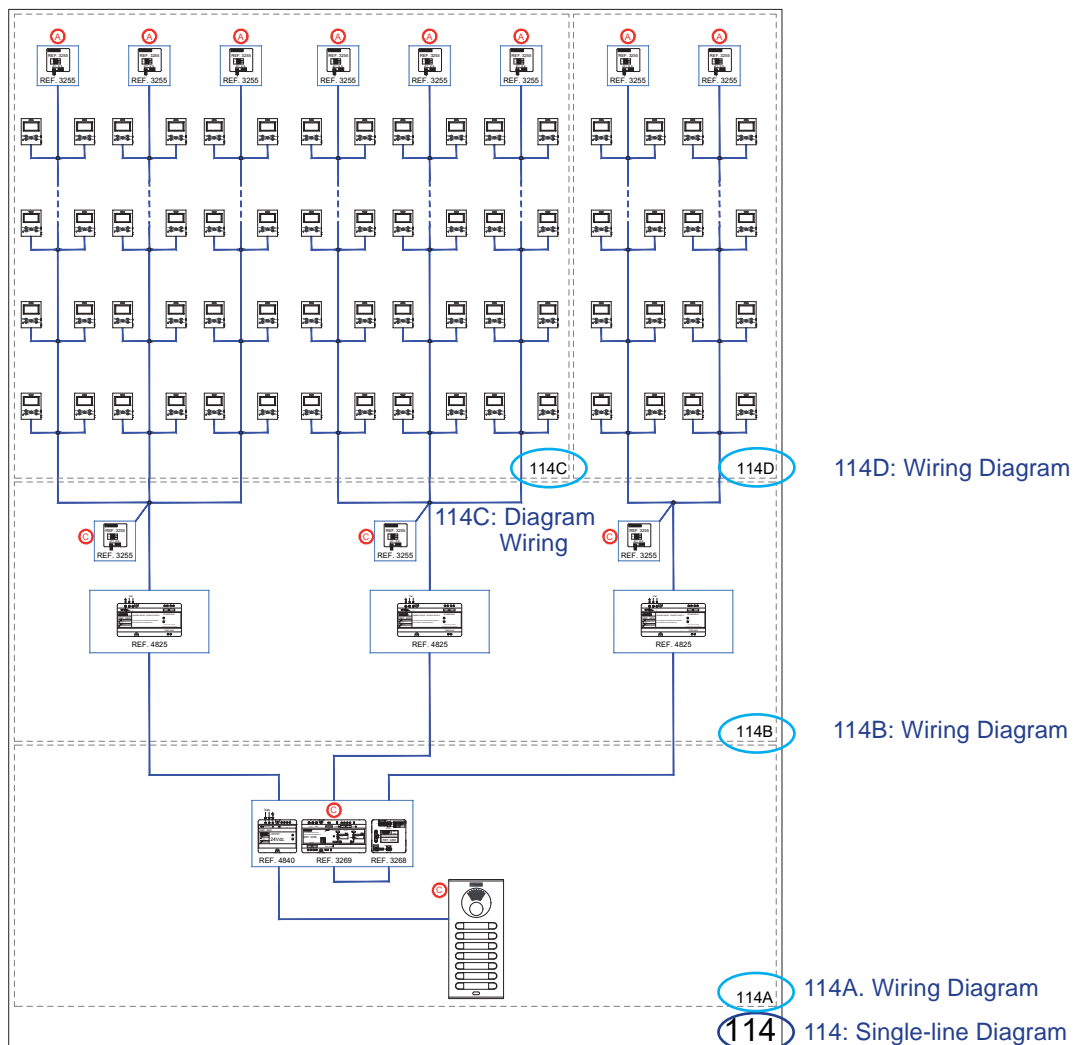
The **wiring diagrams**, however, are the representation of all of the wires that are involved in the installation. The connection and the components have been placed in a similar manner to the real placement of these. The lines or rolls of the cables may cross between one another. The wiring diagrams have been divided into several diagrams to ensure the optimum size for viewing the connections.

Prior to the installation diagrams are the common diagrams relating to the **lock release connection** and the **internal pre-wiring of outdoor panels**, while the last part of the manual contains the diagrams for **extensions and accessories**.

## 1.1 EXAMPLE OF A SINGLE-LINE DIAGRAM AND WIRING DIAGRAMS

This example will explain the relationship between the single-line diagram and the corresponding wiring diagrams.

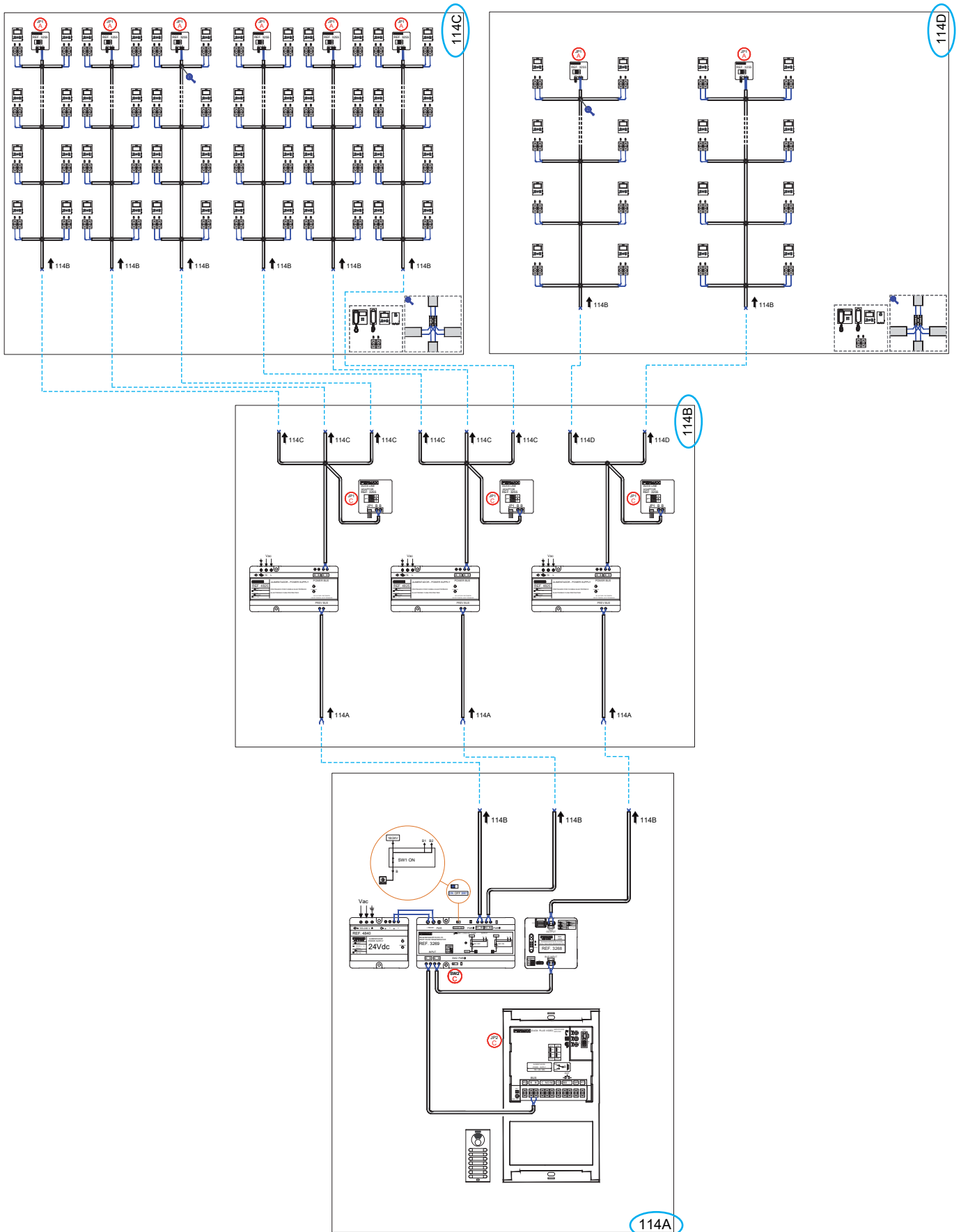
SINGLE-LINE DIAGRAM



SINGLE-LINE DIAGRAM = UNION OF WIRING DIAGRAMS

$$114 = 114A + 114B + 114C + 114D$$

WIRING DIAGRAM



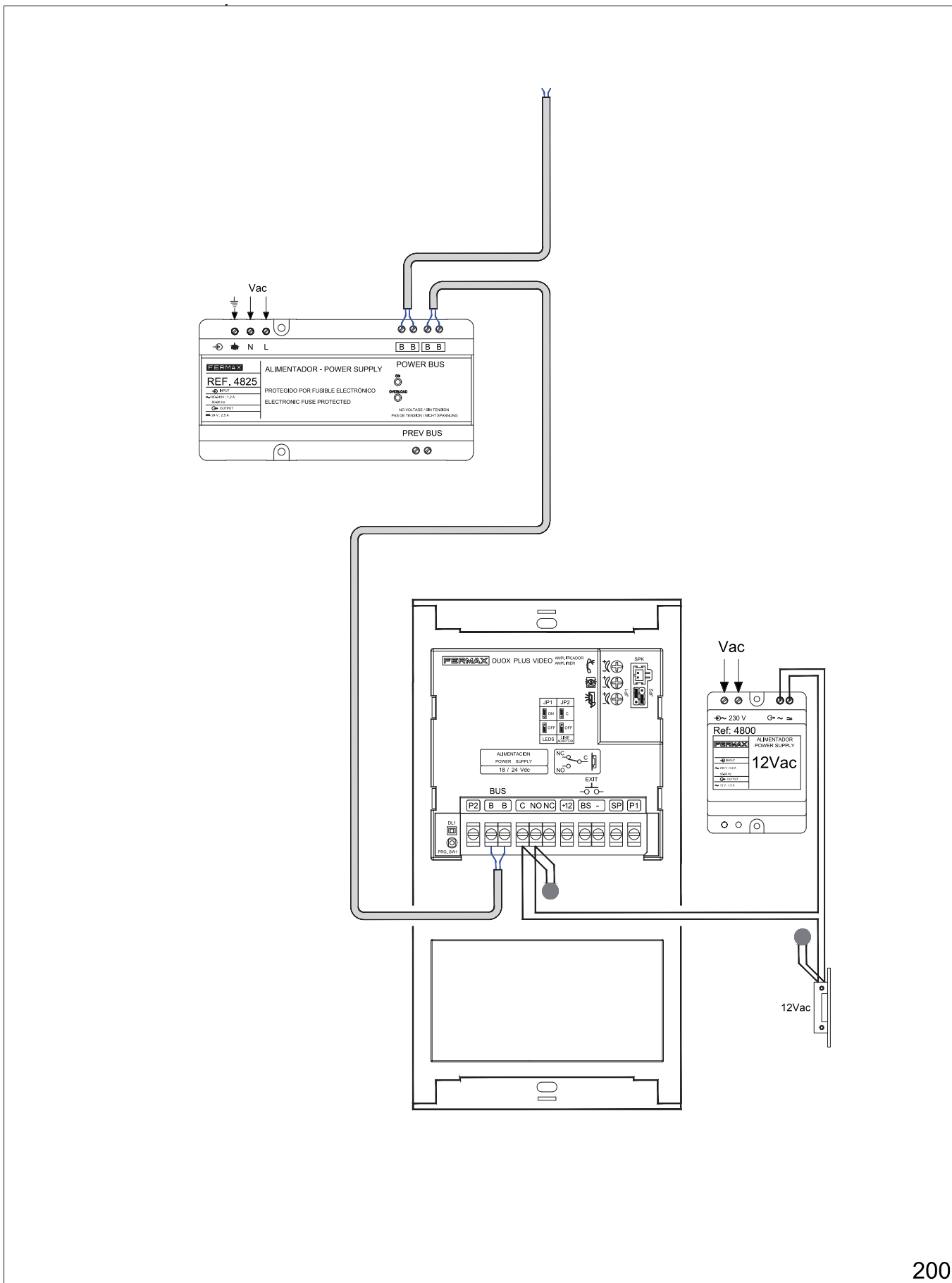
Very important notes:

- The installation diagrams in this manual have been developed on the basis of using a 2x1mm<sup>2</sup> parallel wire (Fermox Roll Ref. 5925), in reference to everything relative to the distances and number of monitors specified in the titles .
- With a different type of wire, see section 9. DUOX PLUS INSTALLATIONS / 9.1 Prior considerations about wiring and DUOX PLUS consumption from SECTION I of the DUOX PLUS technical book.

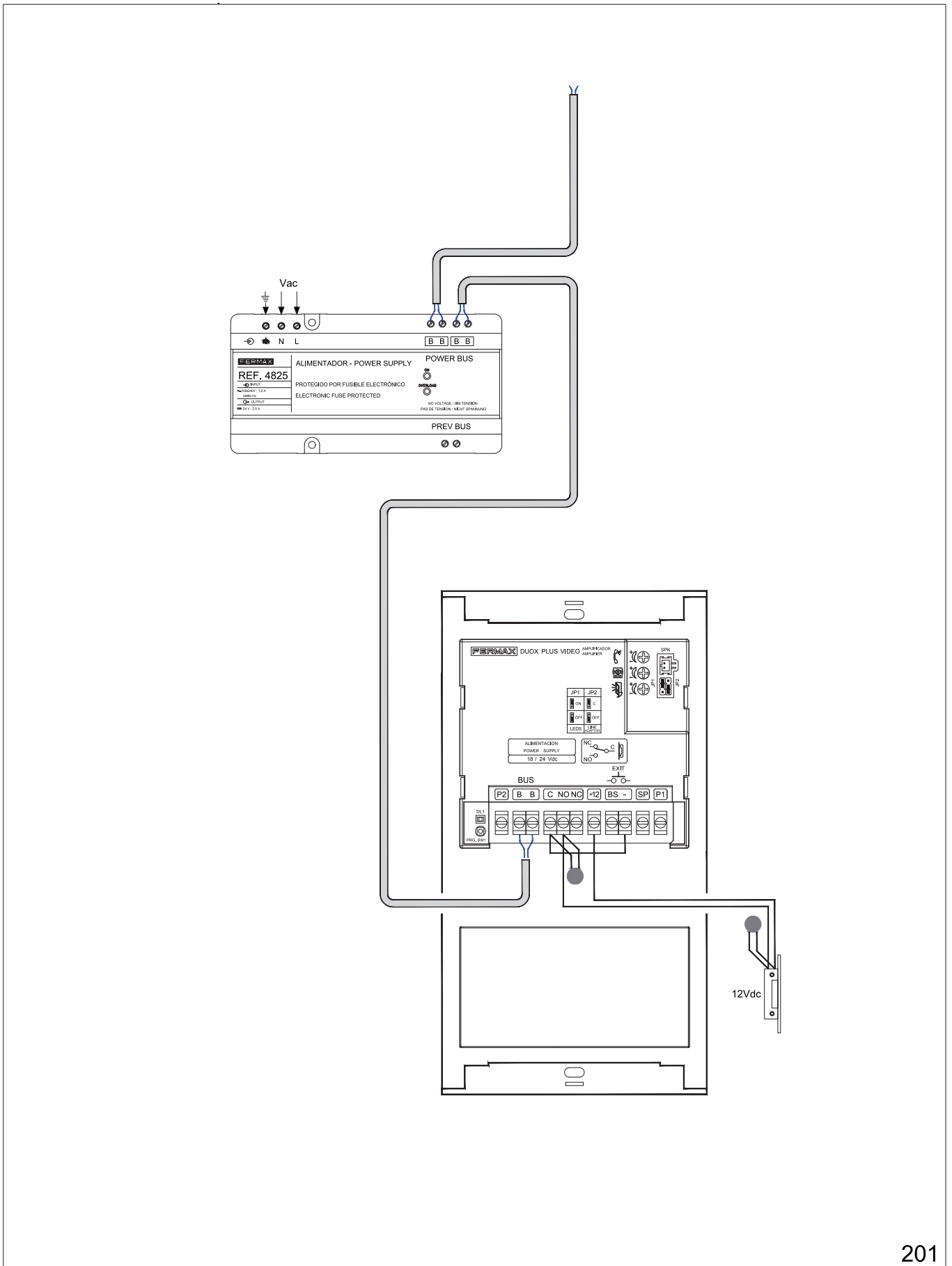
## 2. DIAGRAMS

### 2.1 LOCK RELEASE CONNECTION

200 - Alternative current lock release connection.

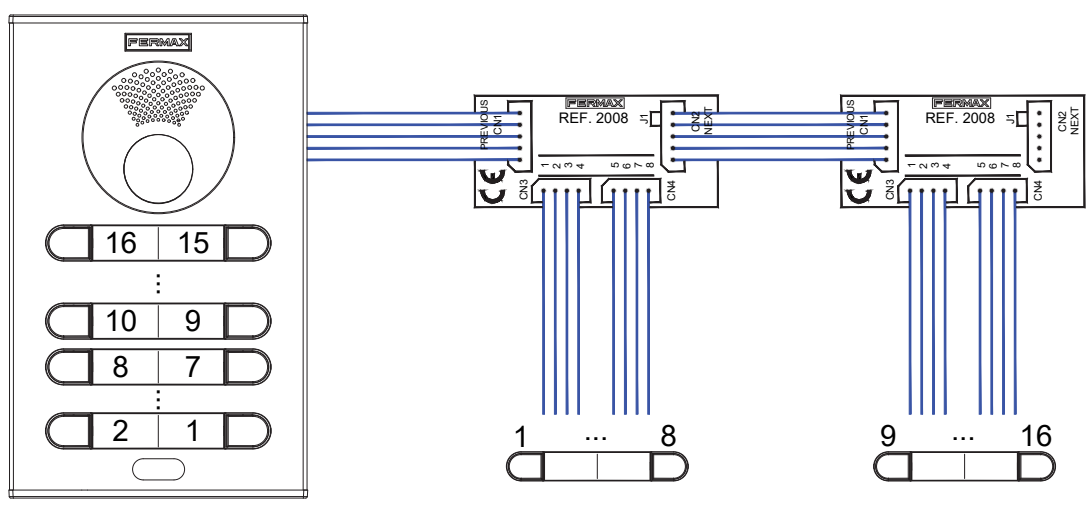
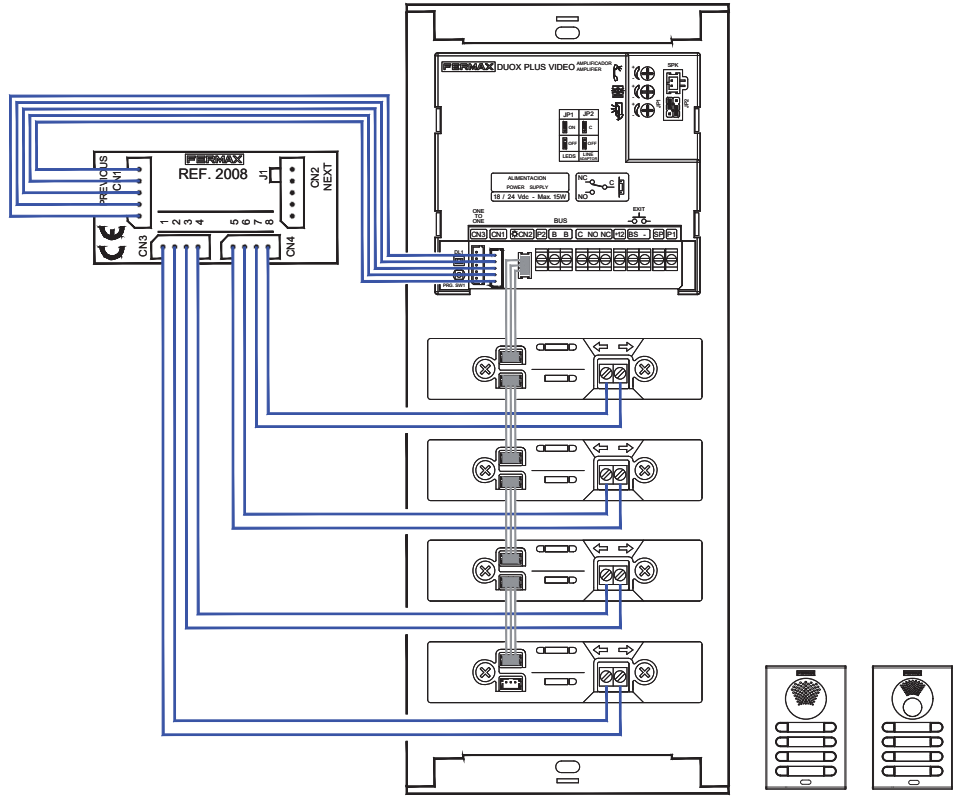


201 - Direct current lock release connection.



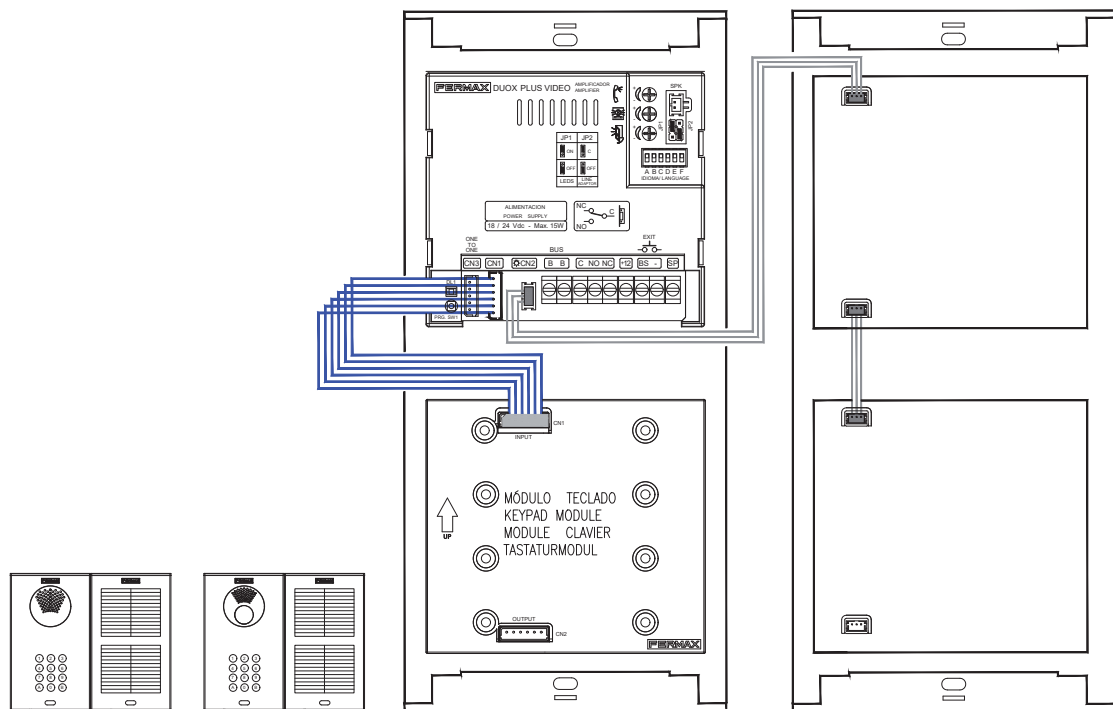


203 - Call extension module ref. 2008 in audio/video pushbutton panel.

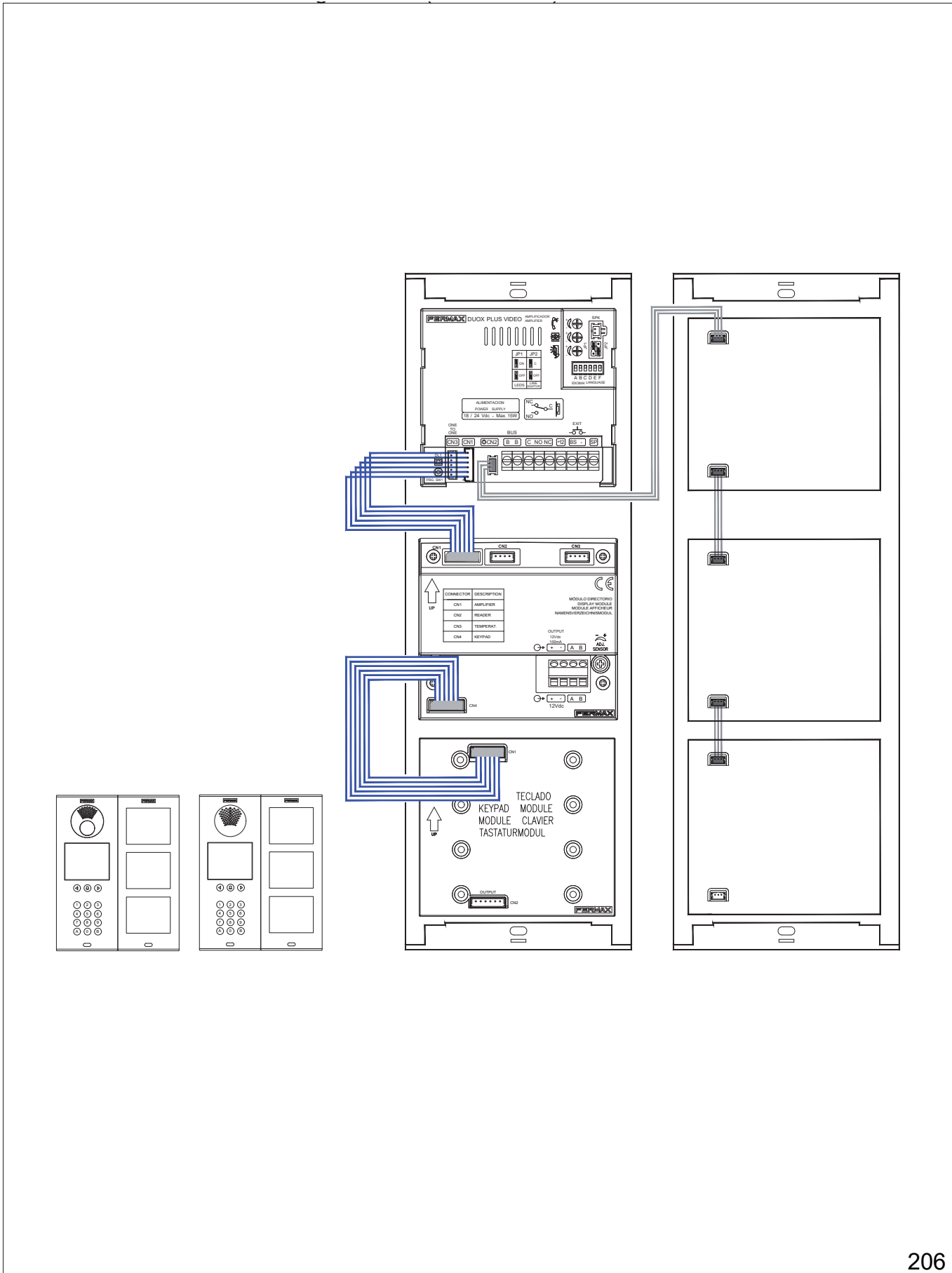




205 - Direct panel (keypad) audio/video.



206 - Digital Display Extra panel (keypad+display) audio/video.



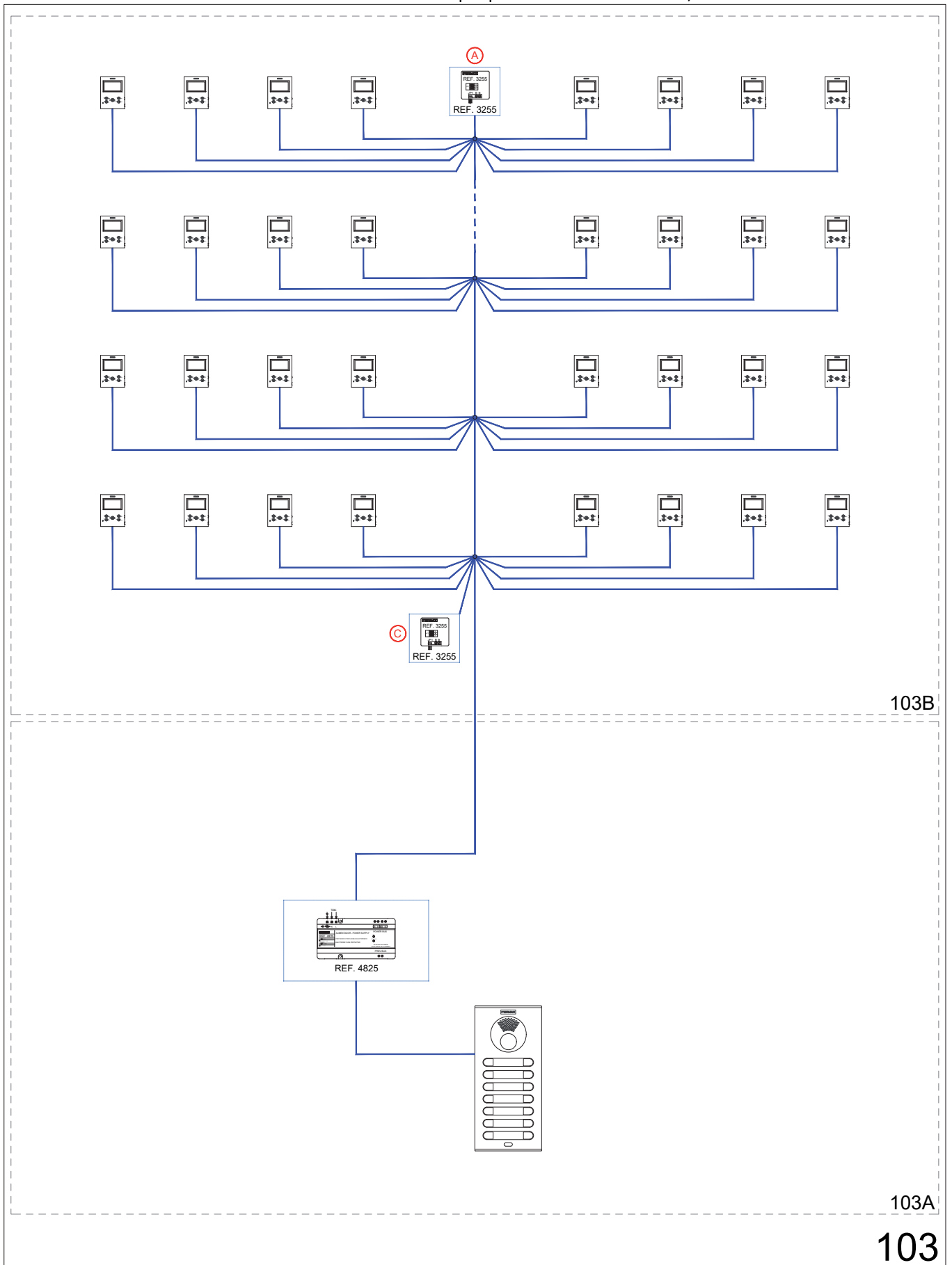
## 2.3 INSTALLATION DIAGRAMS

### 2.3.1 BLOCK DIAGRAM WITH 1 VIDEO ACCESS

1 video access with 1 riser.

Distribution 4 terminals per floor.

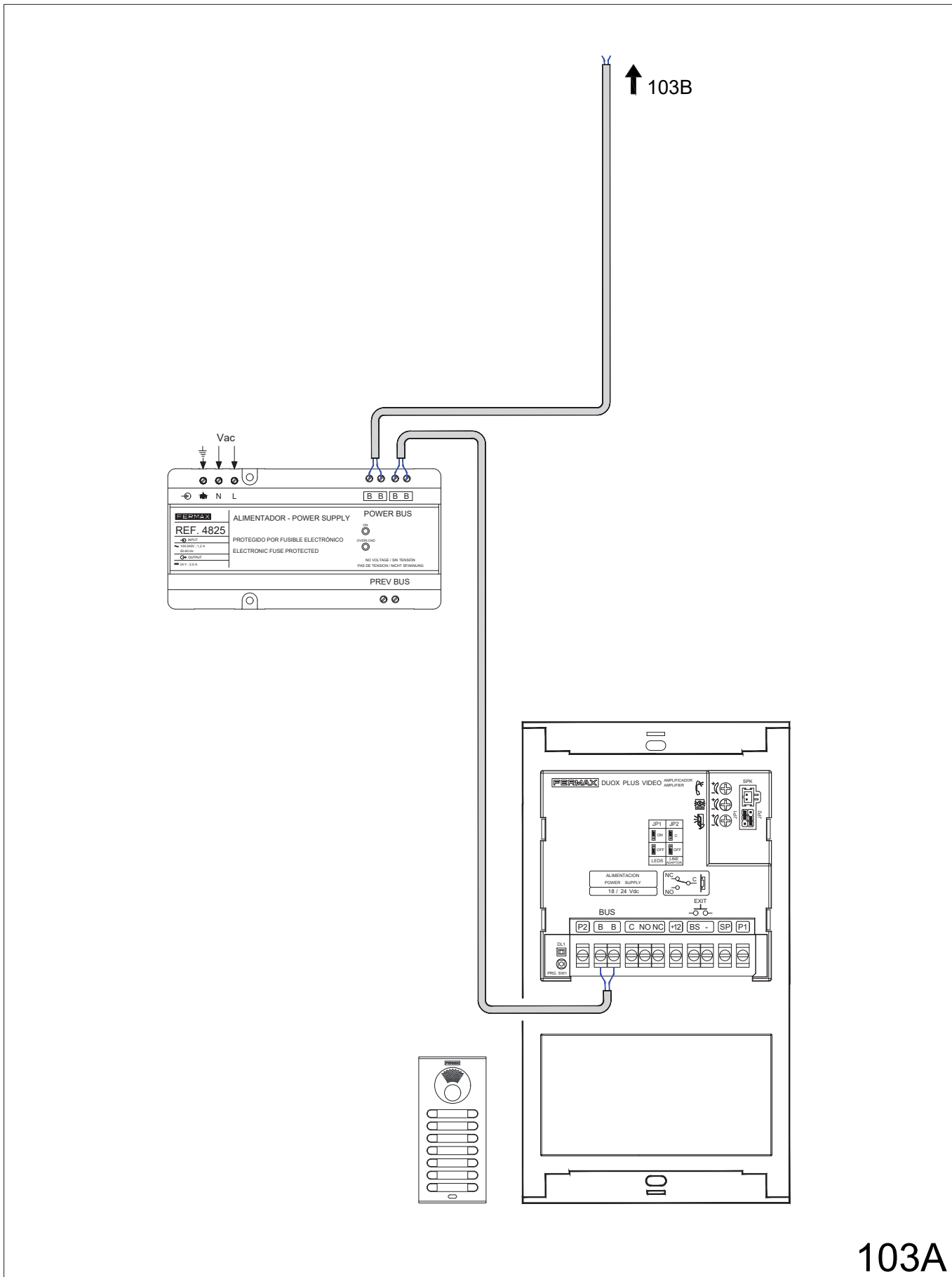
103 - SINGLE-LINE DIAGRAM.



1 video access with 1 riser.

Distribution 4 terminals per floor.

103A - WIRING DIAGRAM. Connection detail: Outdoor panel - Power supply.

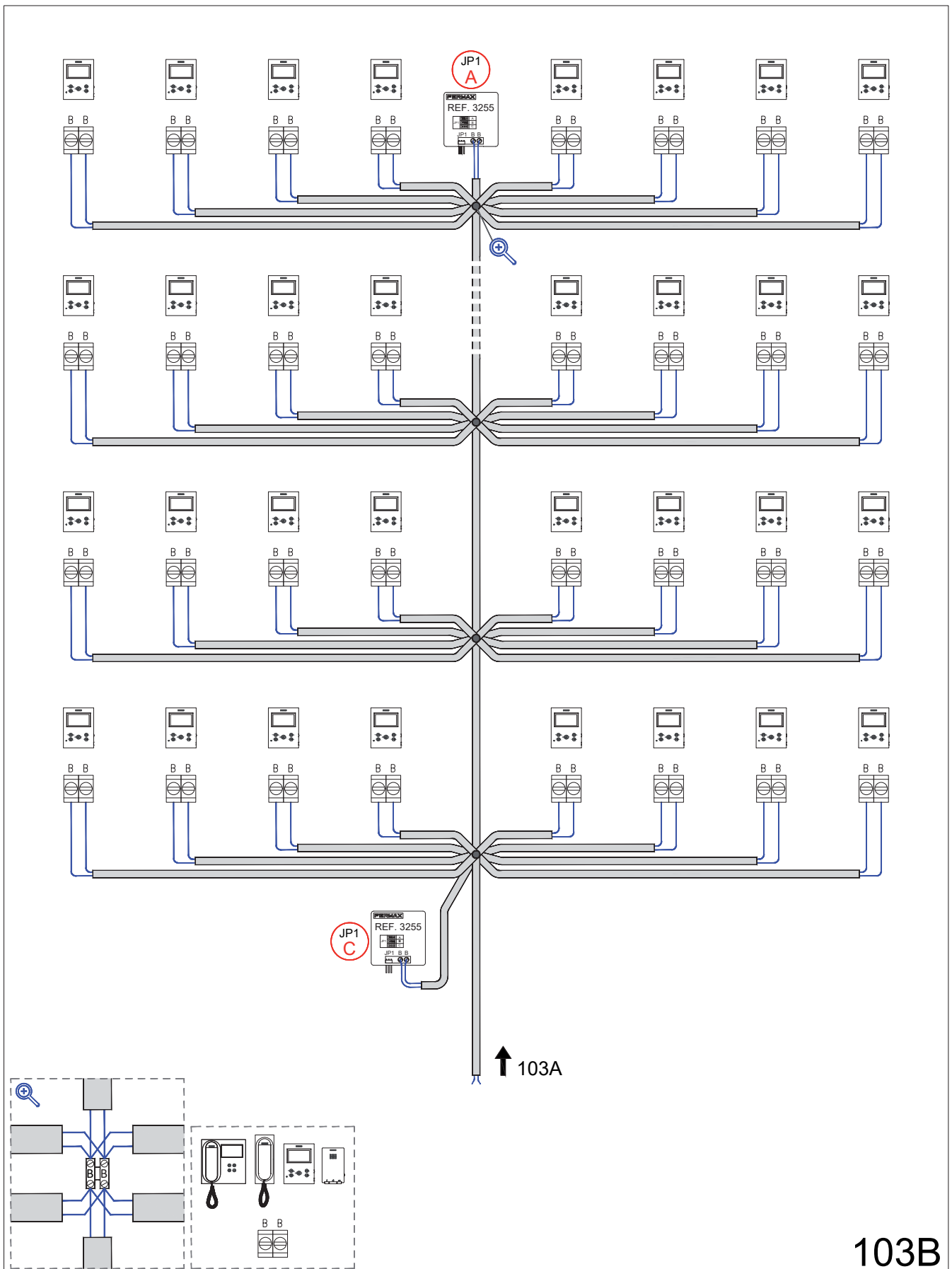


103A

1 video access with 1 riser.

Distribution 4 terminals per floor.

103B - WIRING DIAGRAM. Connection detail: Floors (Terminals - Line adapters).

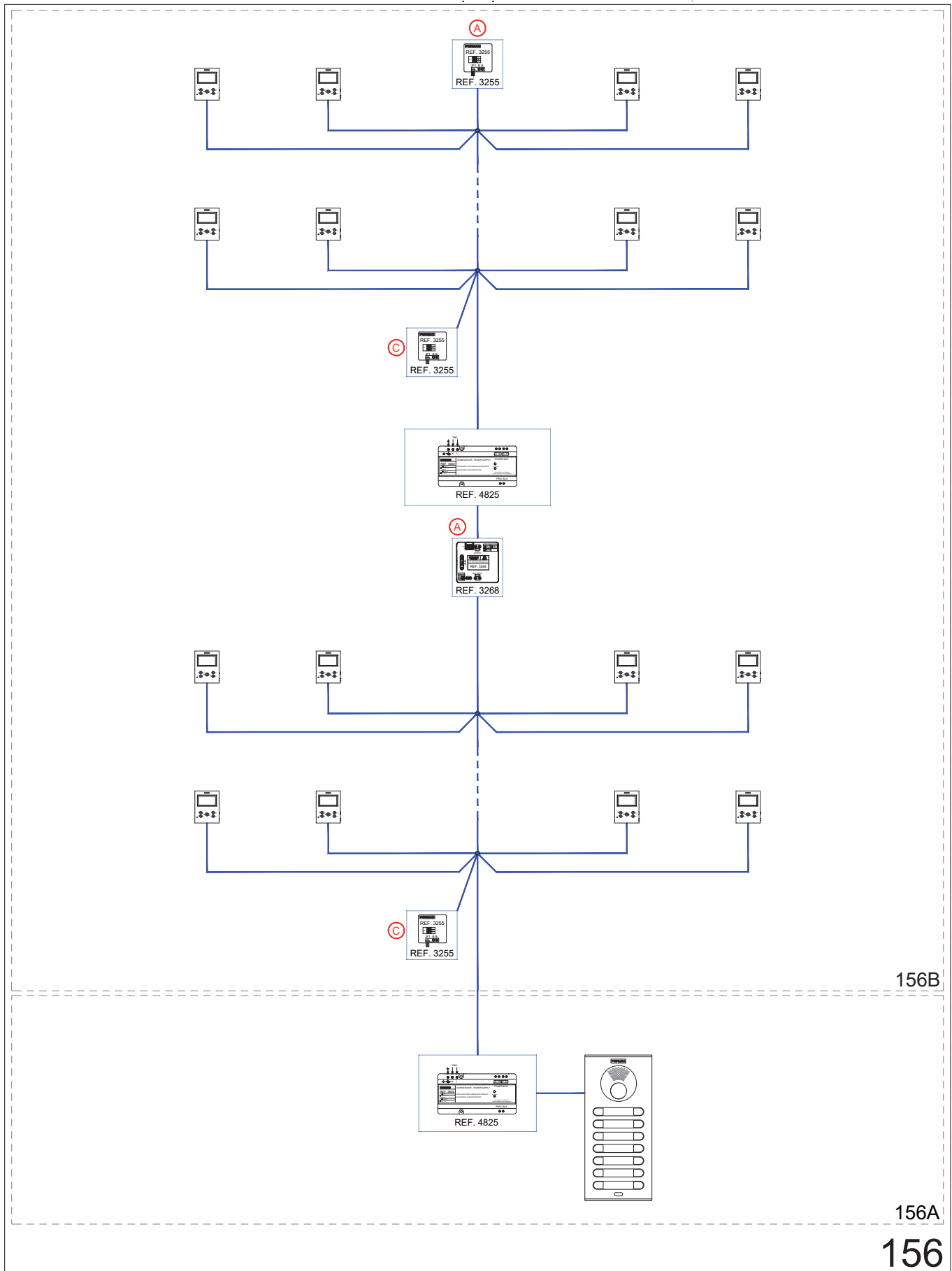


103B

1 video access with 1 riser.

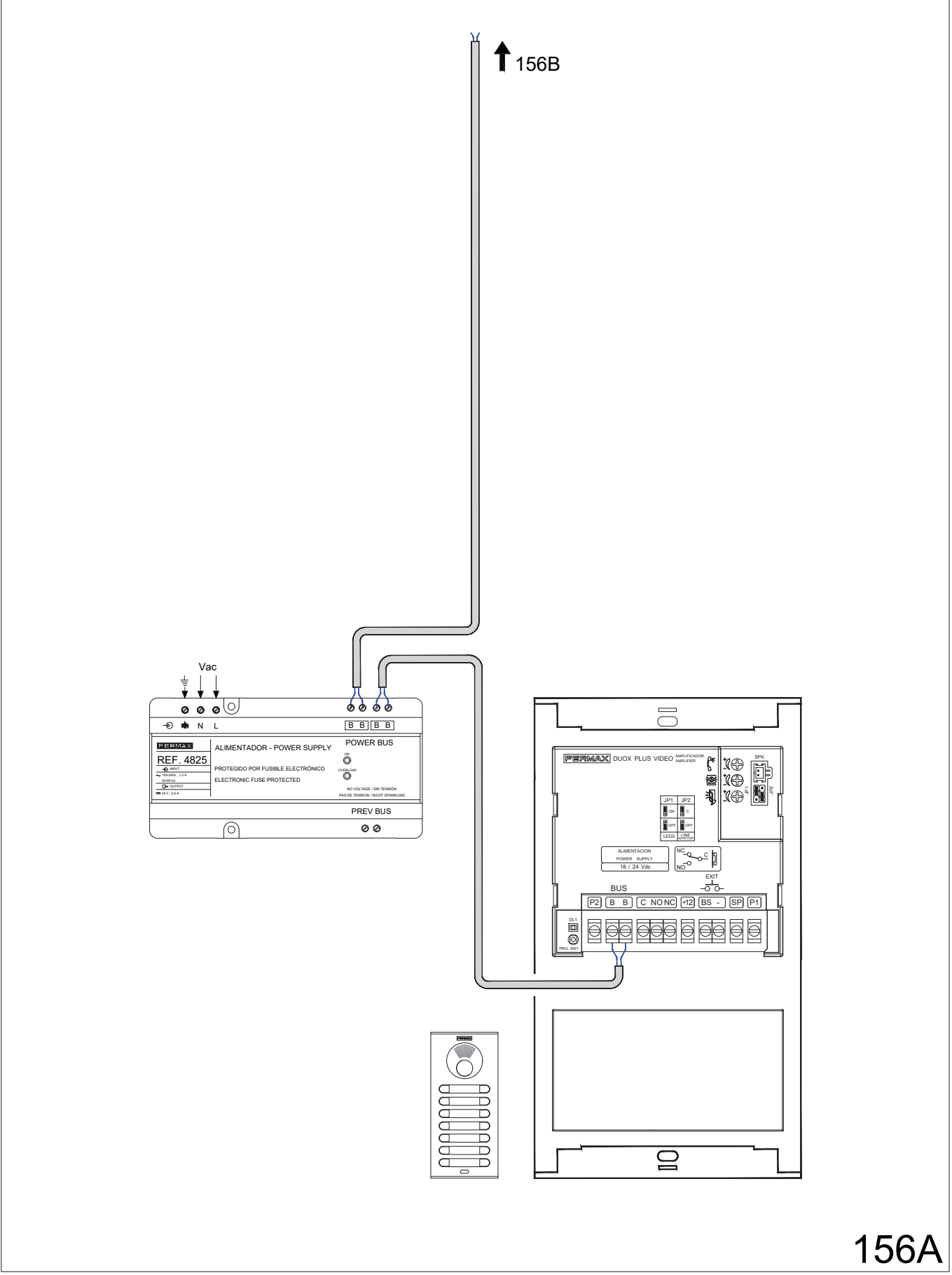
Distribution 4 terminals per floor.

156 - SINGLE-LINE DIAGRAM.



1 video access with 1 riser.  
 Distribution 4 terminals per floor.

149A - WIRING DIAGRAM. Connection detail: Outdoor panel - Power supply.

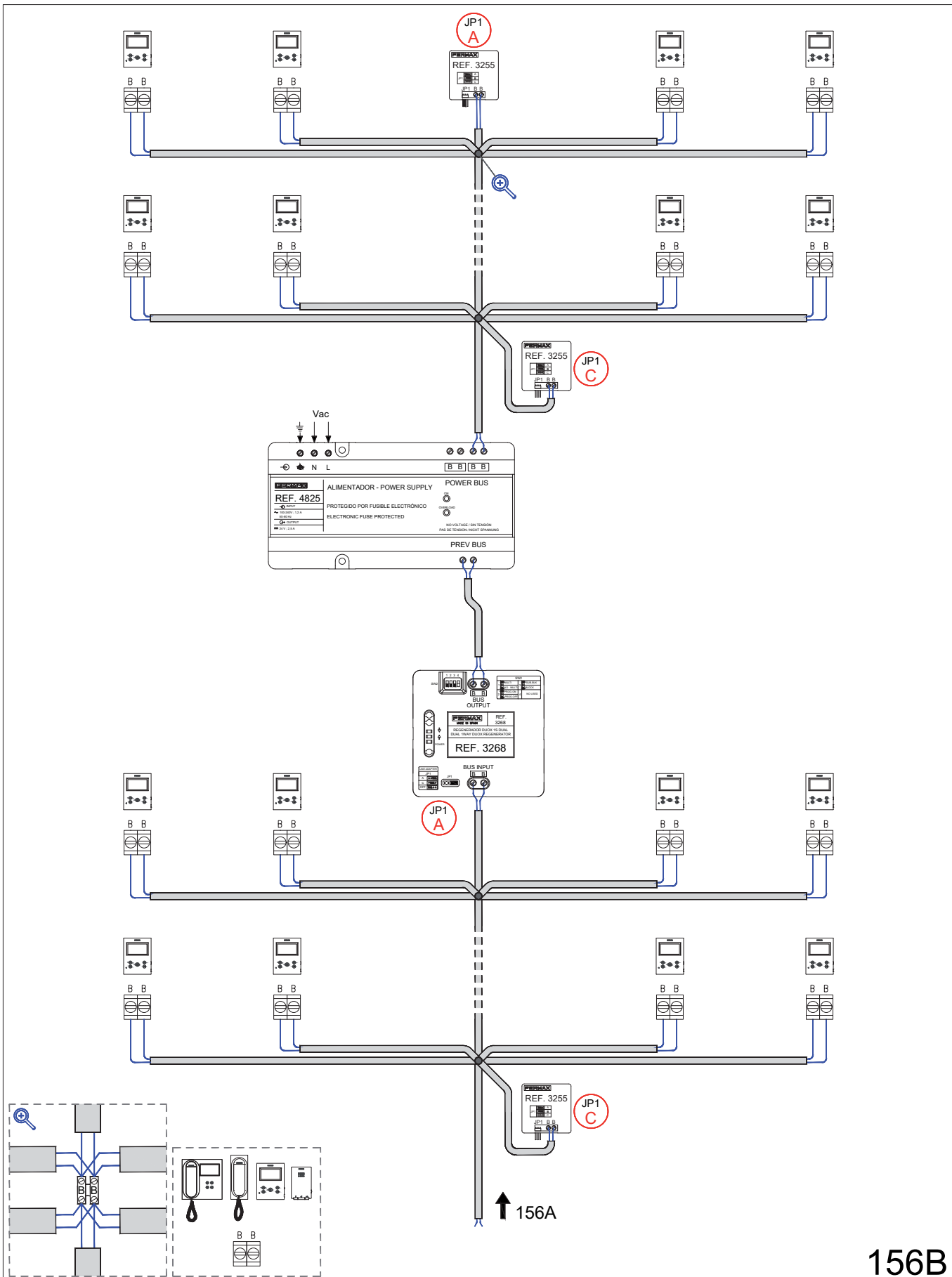


156A

1 video access with 1 riser.

Distribution 4 terminals per floor.

149B - WIRING DIAGRAM. Connection detail: Floors (1S regenerator - Power supply set - Terminals - Line adapters).

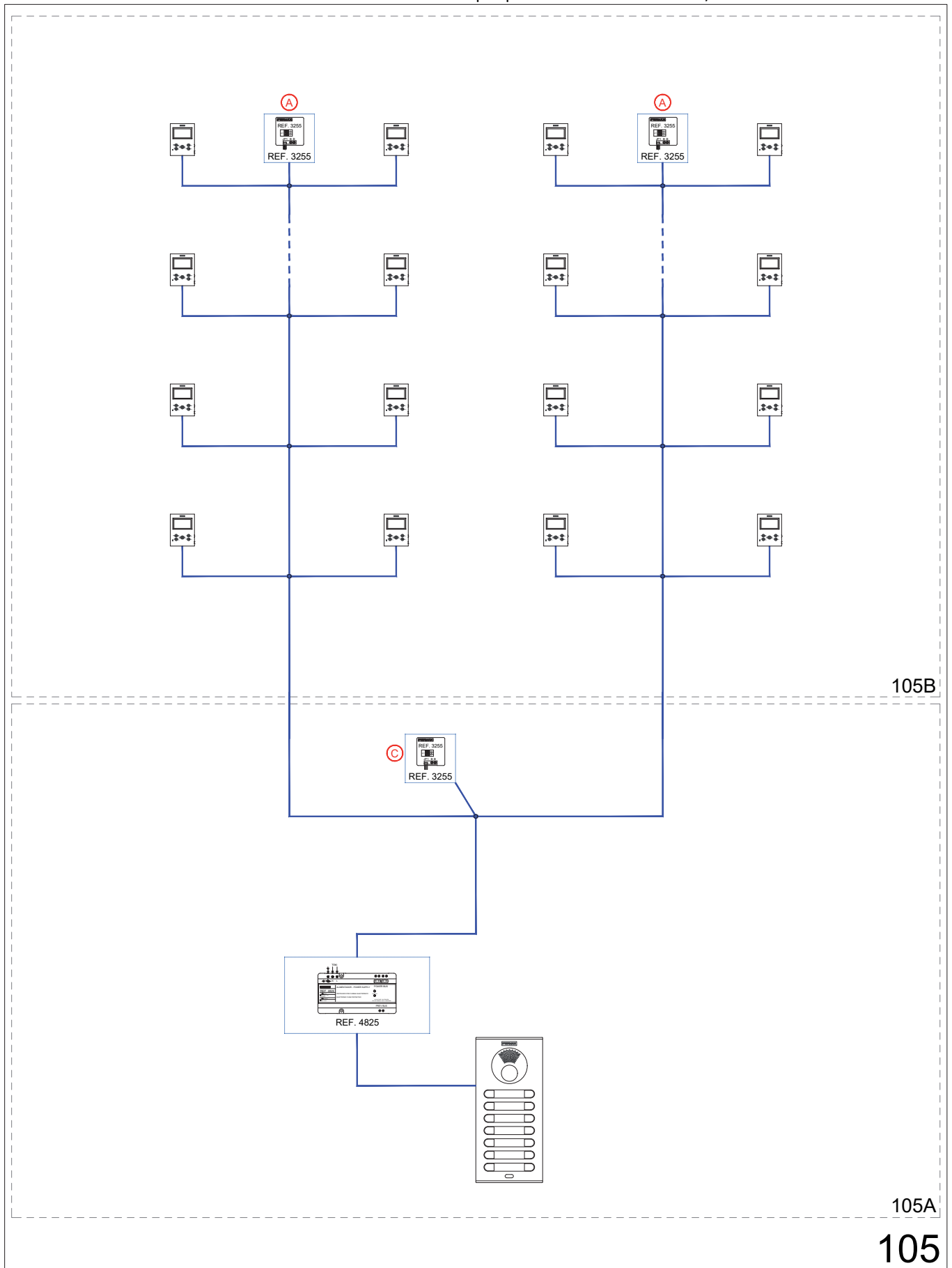


156B

1 video access with 2 risers.

Distribution 2 terminals per floor.

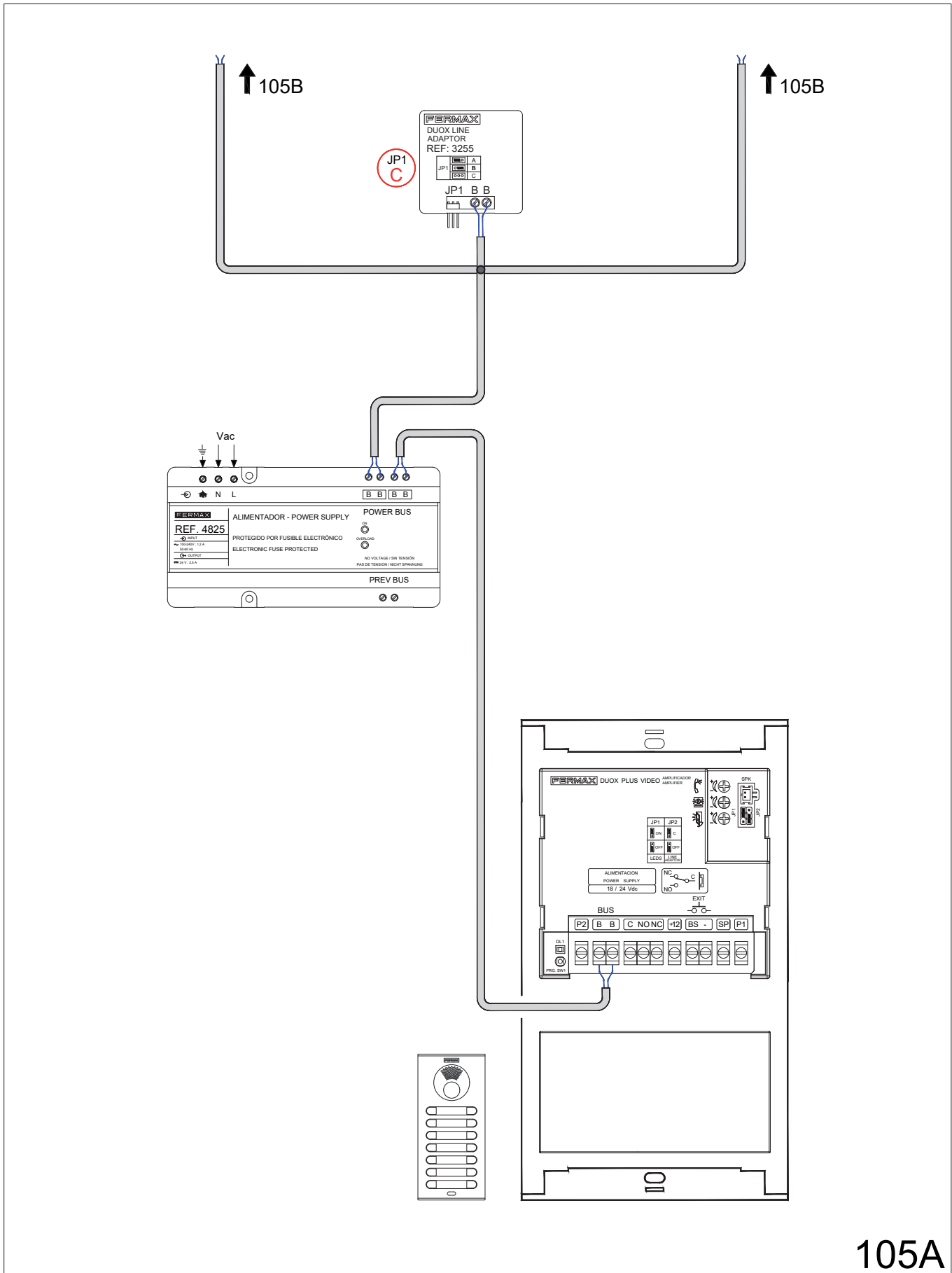
105 - SINGLE-LINE DIAGRAM.



1 video access with 2 risers.

Distribution 2 terminals per floor.

105A - WIRING DIAGRAM. Connection detail: Outdoor panel - Power supply set - Line adapter.

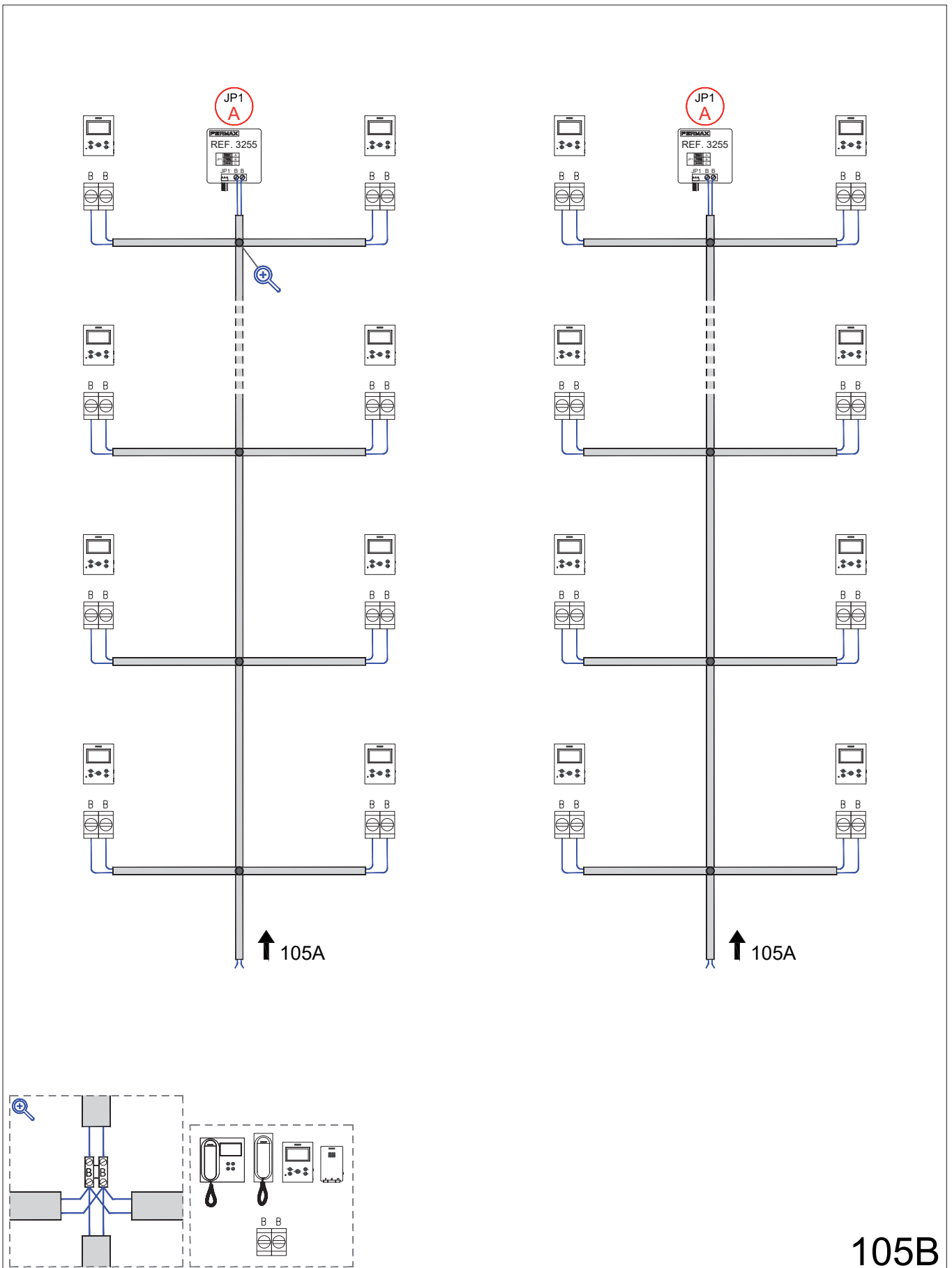


105A

1 video access with 2 risers.

Distribution 2 terminals per floor.

105B - WIRING DIAGRAM. Connection detail: Floors (Terminals - Line adapters).

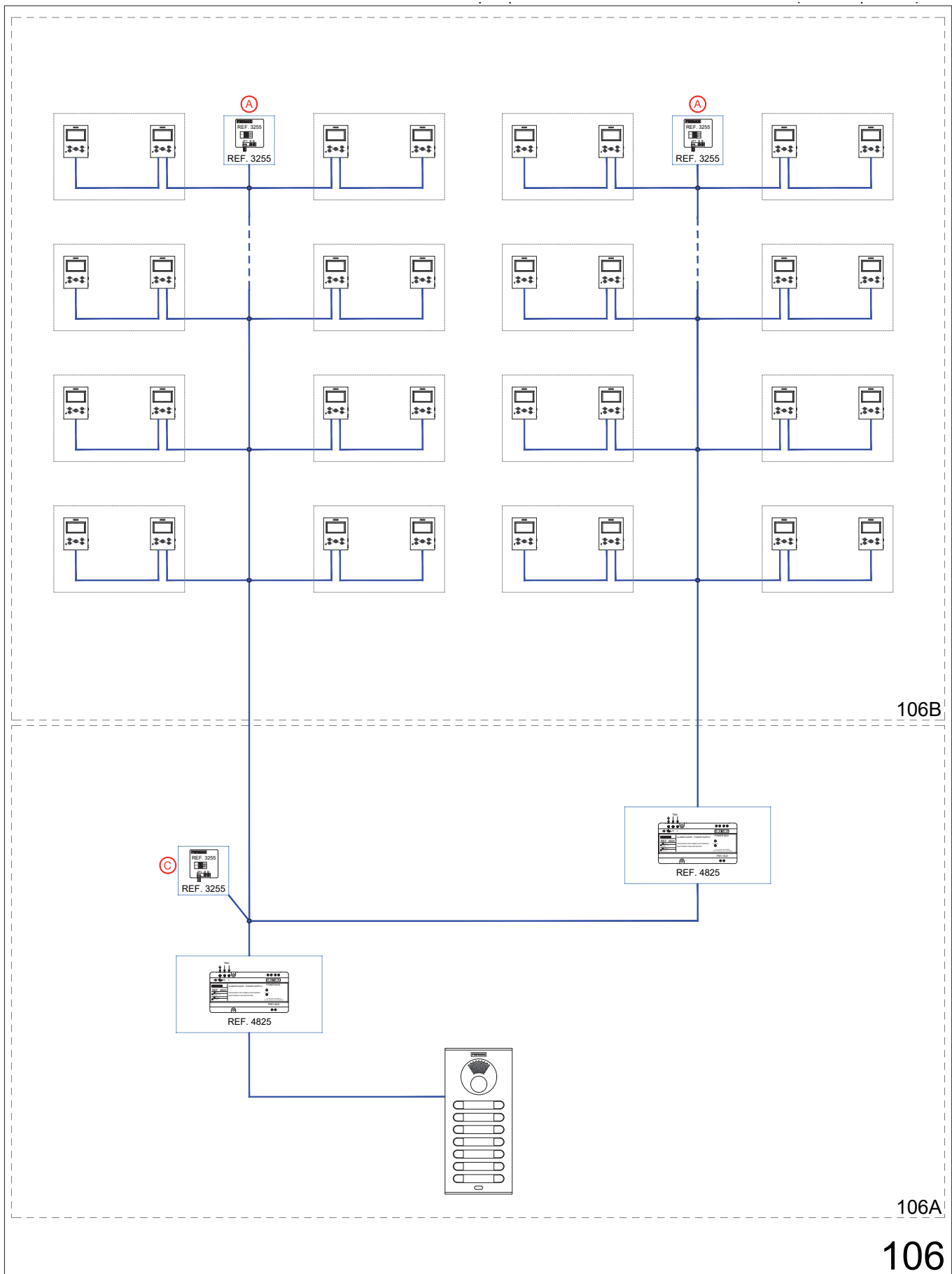


105B

1 video access with 2 risers.

Distribution 2 terminals per floor, (2 terminals per apartment).

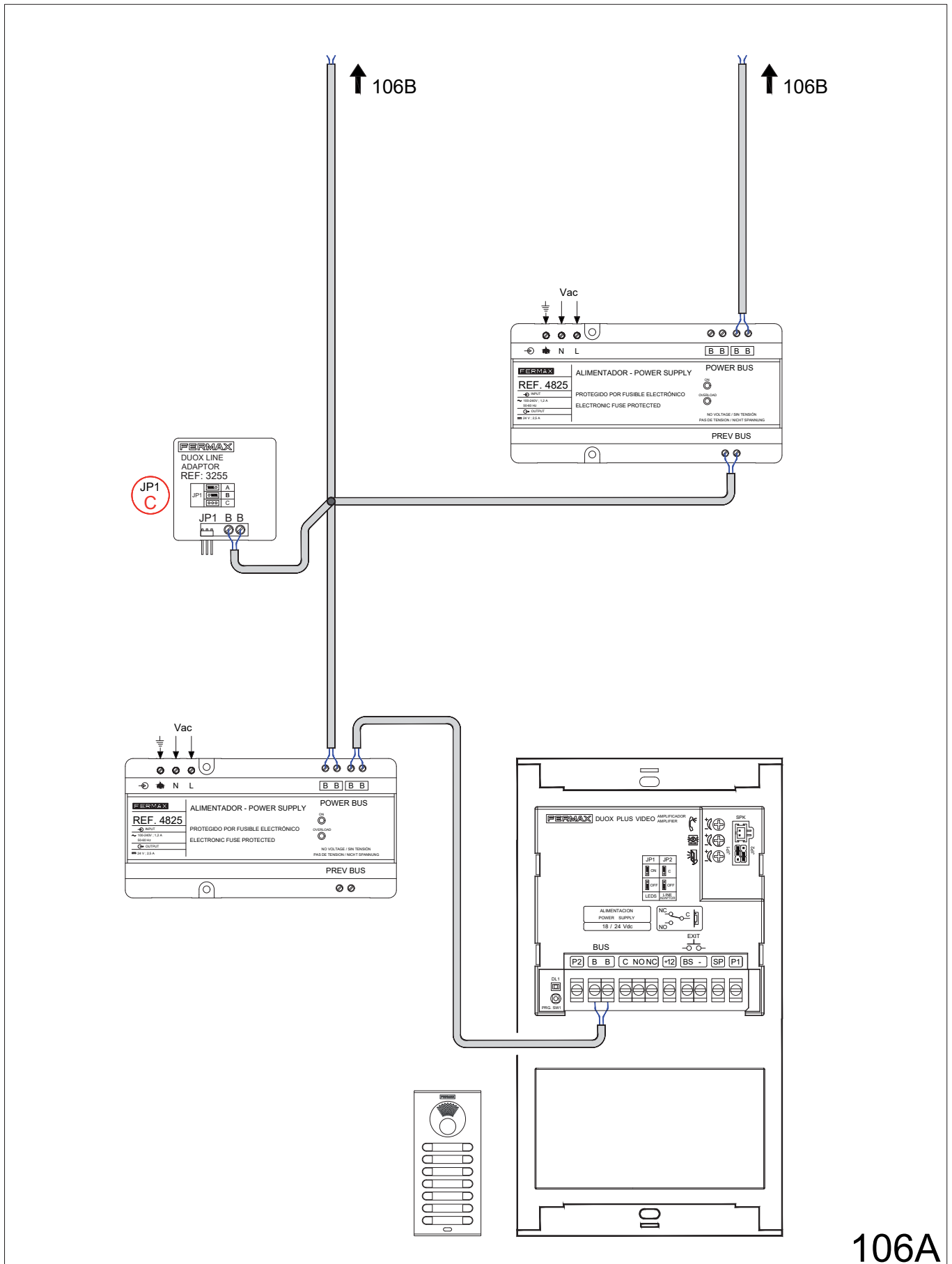
106 - SINGLE-LINE DIAGRAM.



1 video access with 2 risers.

Distribution 2 terminals per floor, (2 terminals per apartment).

106A - WIRING DIAGRAM. Connection detail: Outdoor panel - Power supply sets - Line adapter.

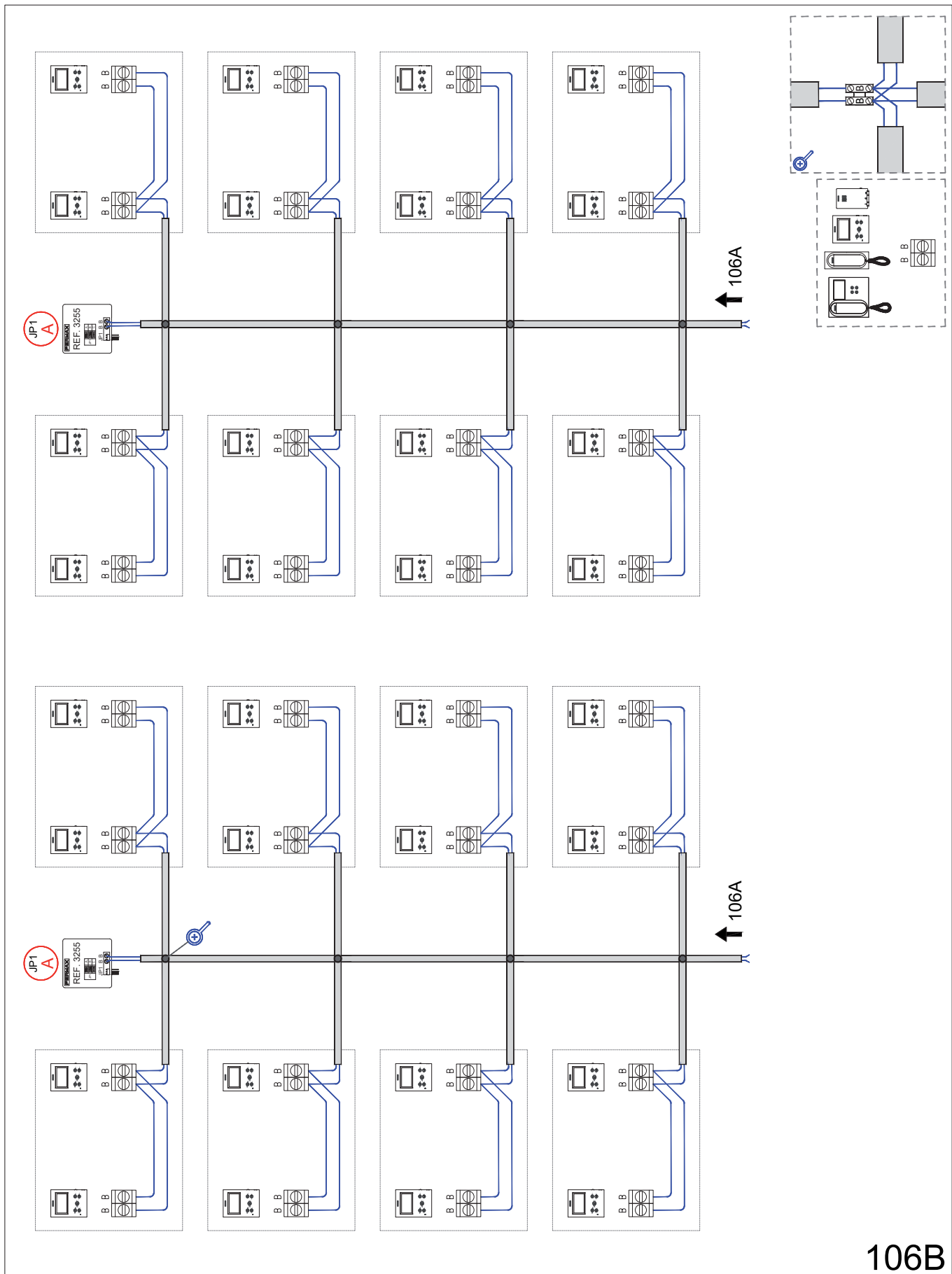


106A

1 video access with 2 risers.

Distribution 2 terminals per floor, (2 terminals per apartment).

106B - WIRING DIAGRAM. Connection detail: Floors (Terminals - Line adapters).

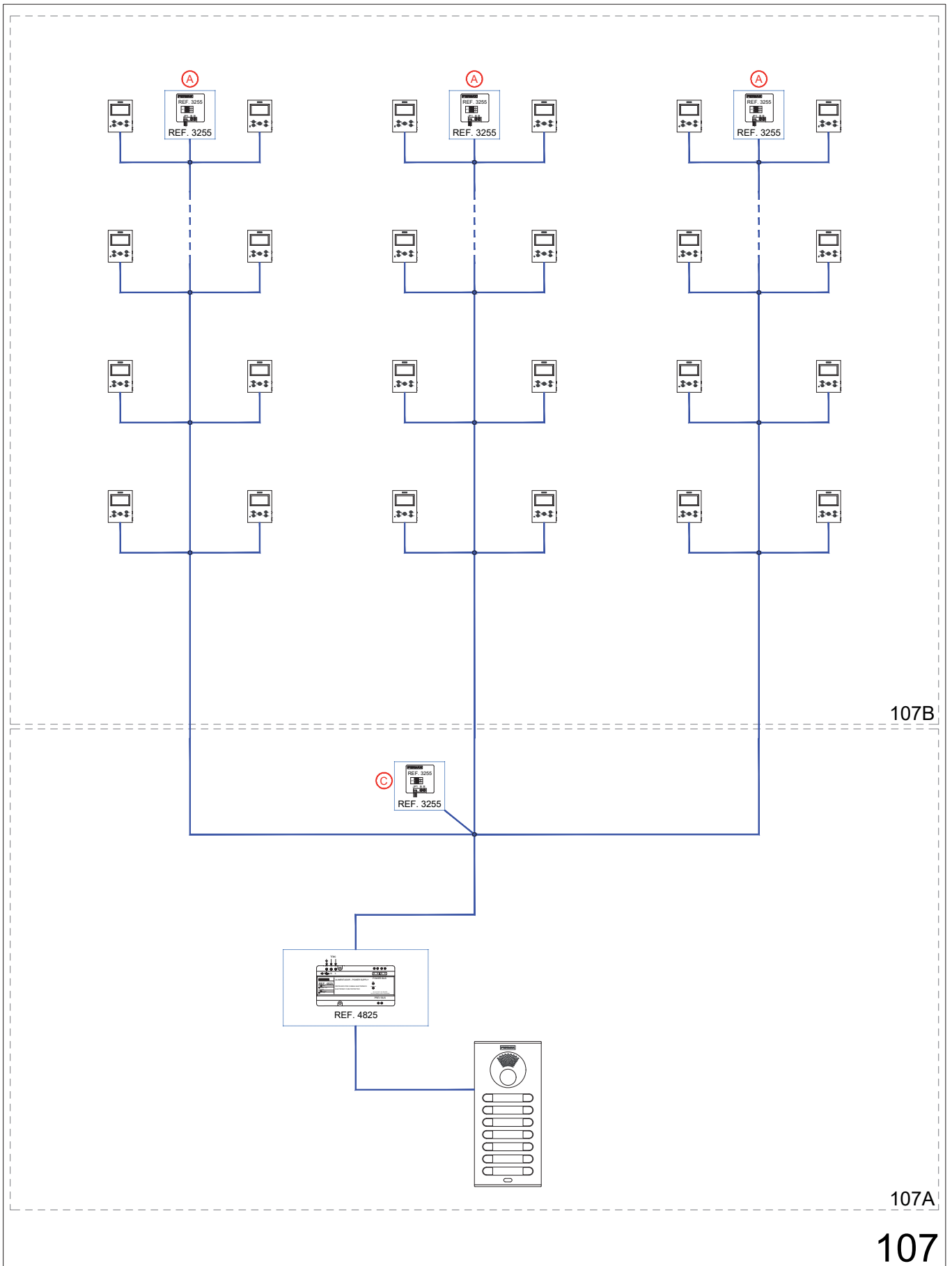


106B

1 video access with 3 risers.

Distribution 2 terminals per floor.

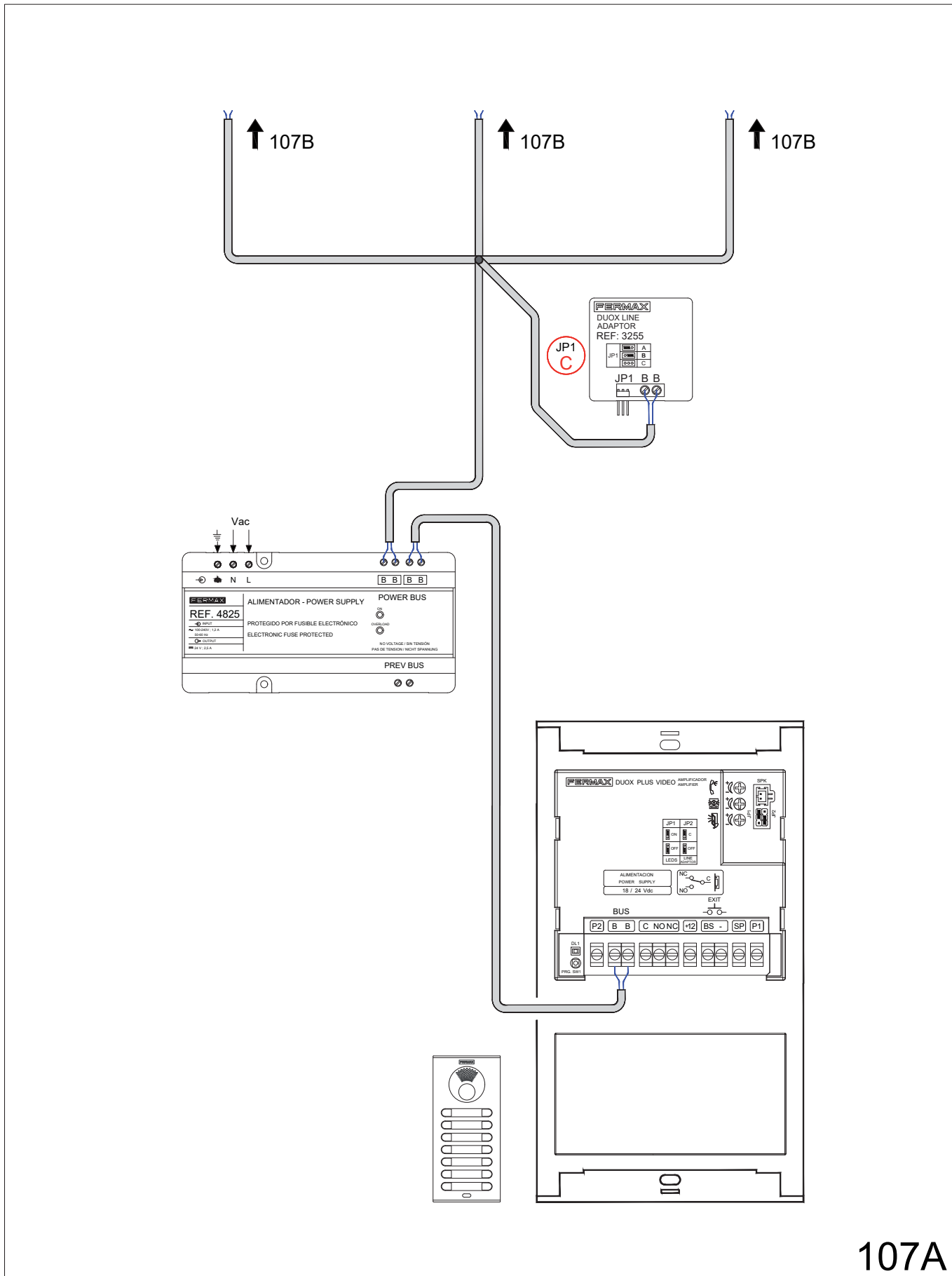
107 - SINGLE-LINE DIAGRAM.



1 video access with 3 risers.

Distribution 2 terminals per floor.

107A - WIRING DIAGRAM. Connection detail: Outdoor panel - Power supply set - Line adapter.

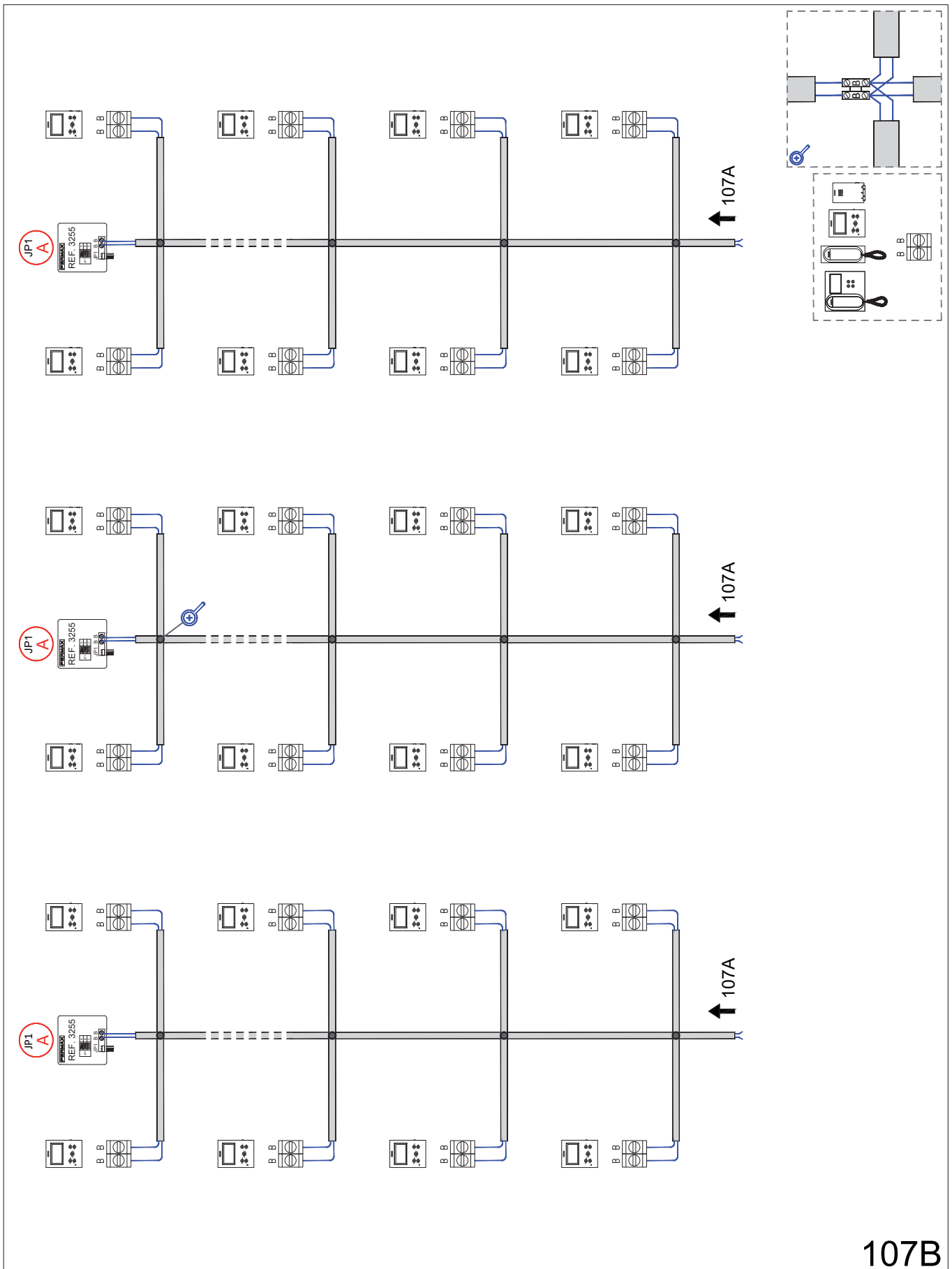


107A

1 video access with 3 risers.

Distribution 2 terminals per floor.

107B - WIRING DIAGRAM. Connection detail: Floors (Terminals - Line adapters).

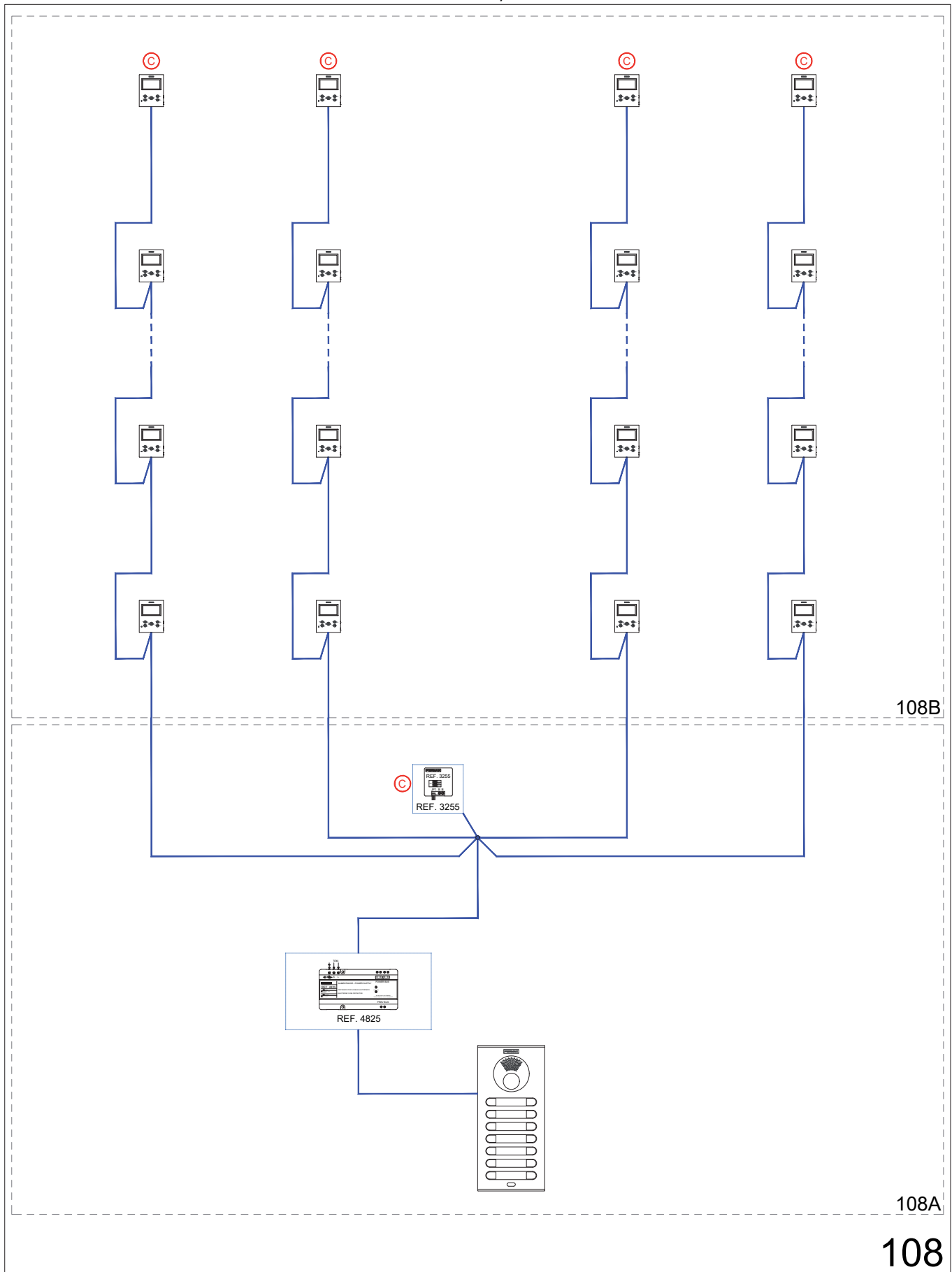


107B

1 video access with 4 risers.

Cascade.

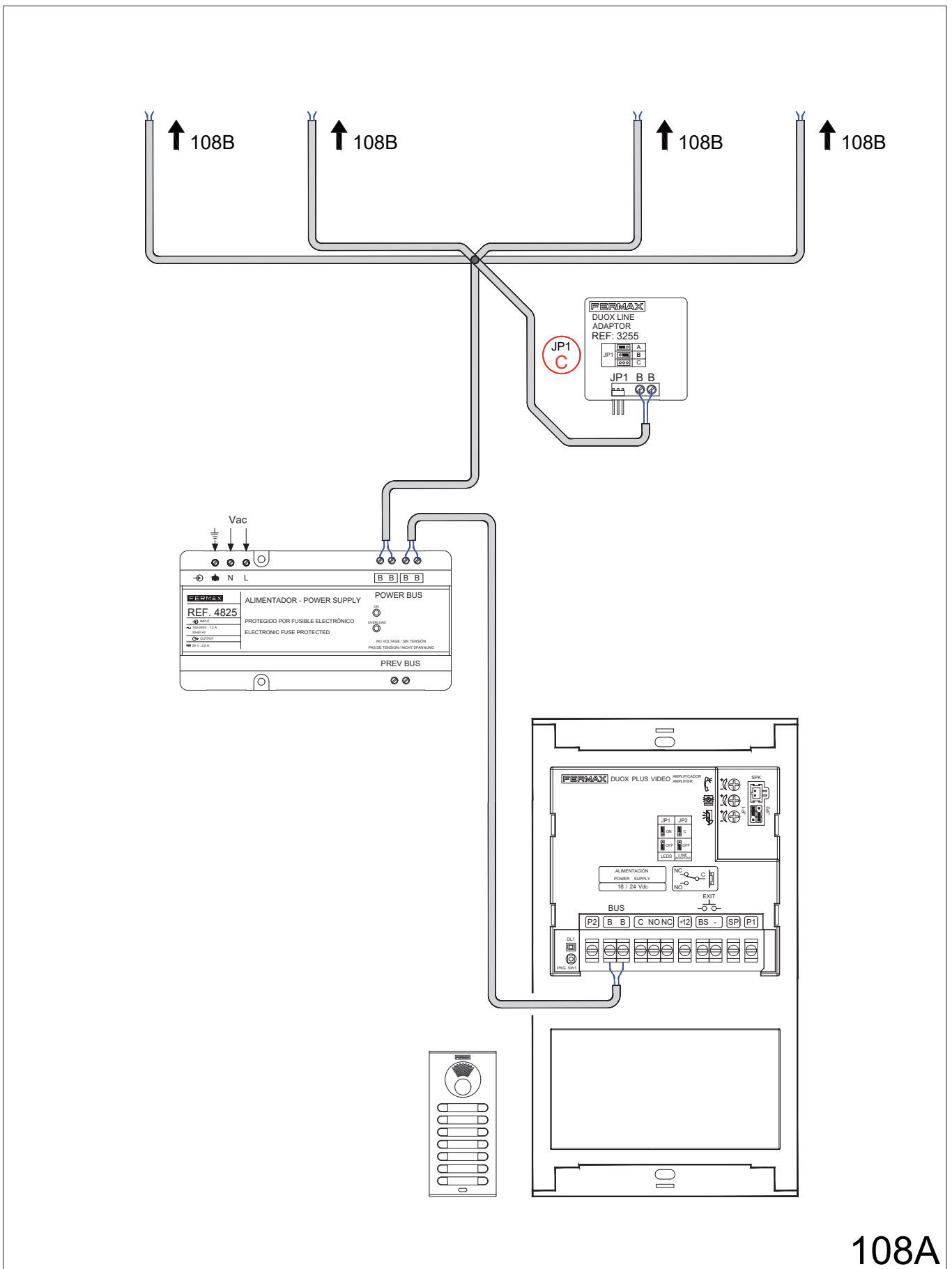
108 - SINGLE-LINE DIAGRAM.



1 video access with 4 risers.

Cascade.

108A - WIRING DIAGRAM. Connection detail: Outdoor panel - Power supply set - Line adapter.

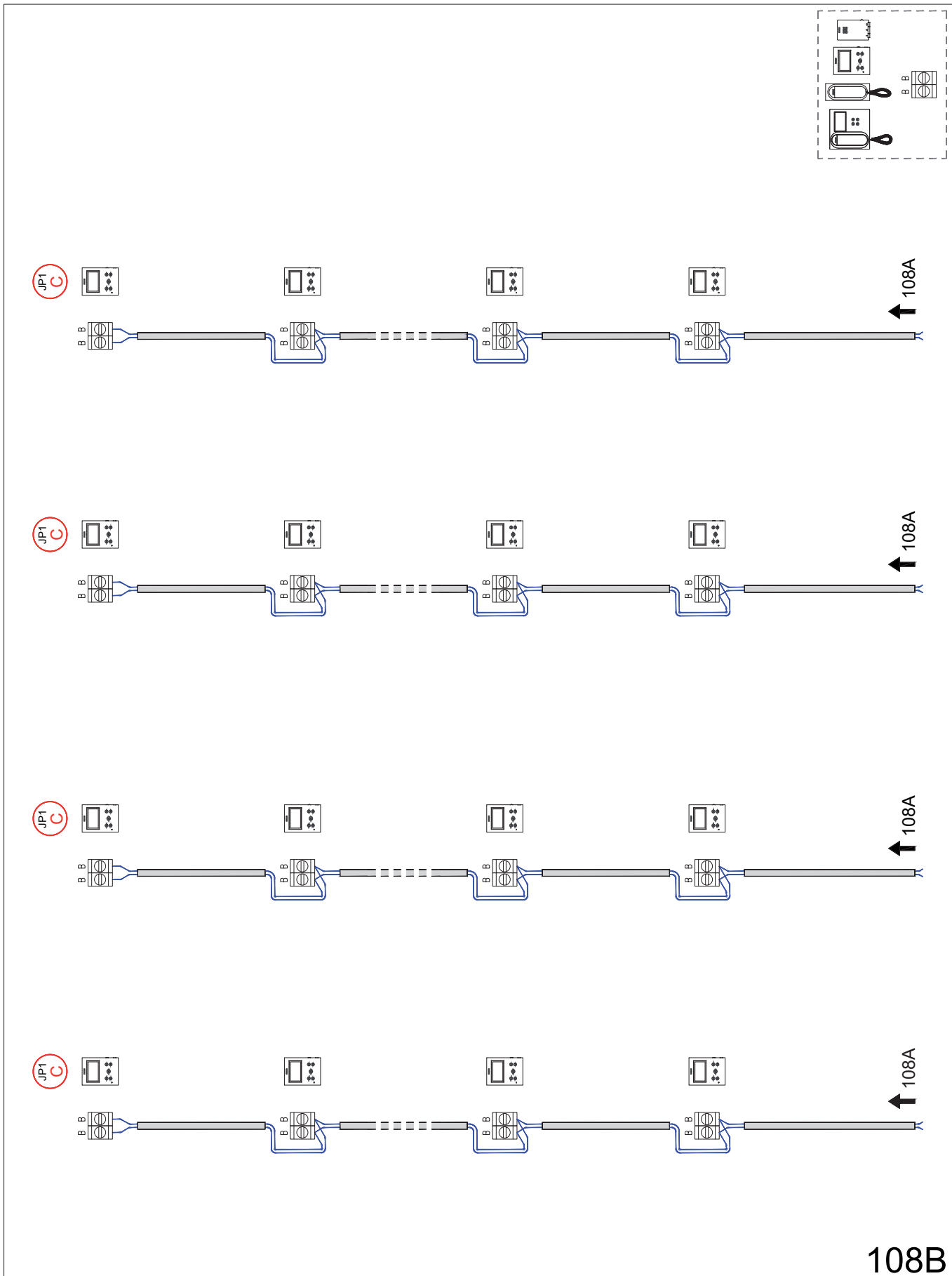


108A

1 video access with 4 risers.

Cascade.

108B - WIRING DIAGRAM. Connection detail: Floors (Terminals).

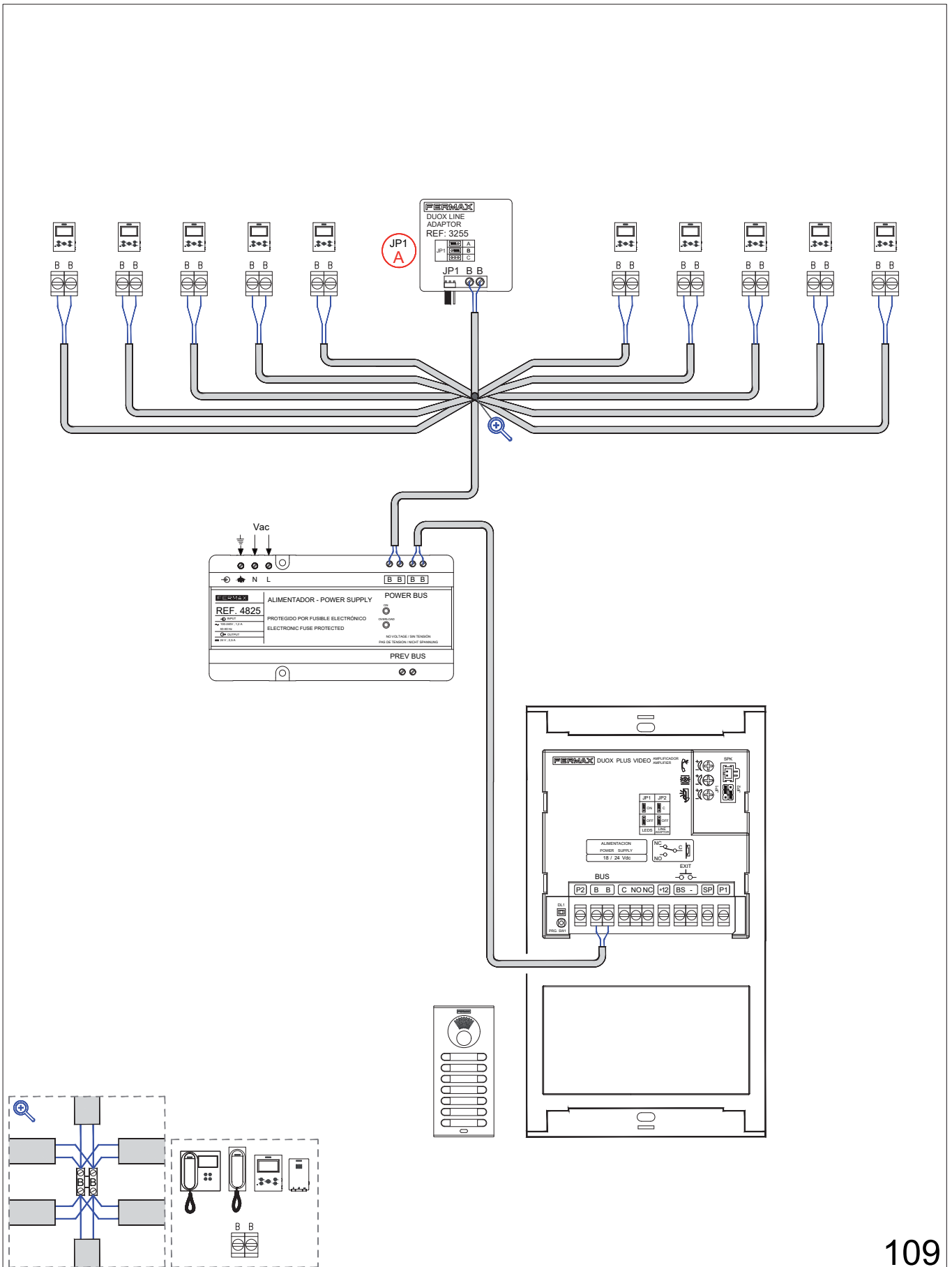


108B

1 video access with 1 riser.

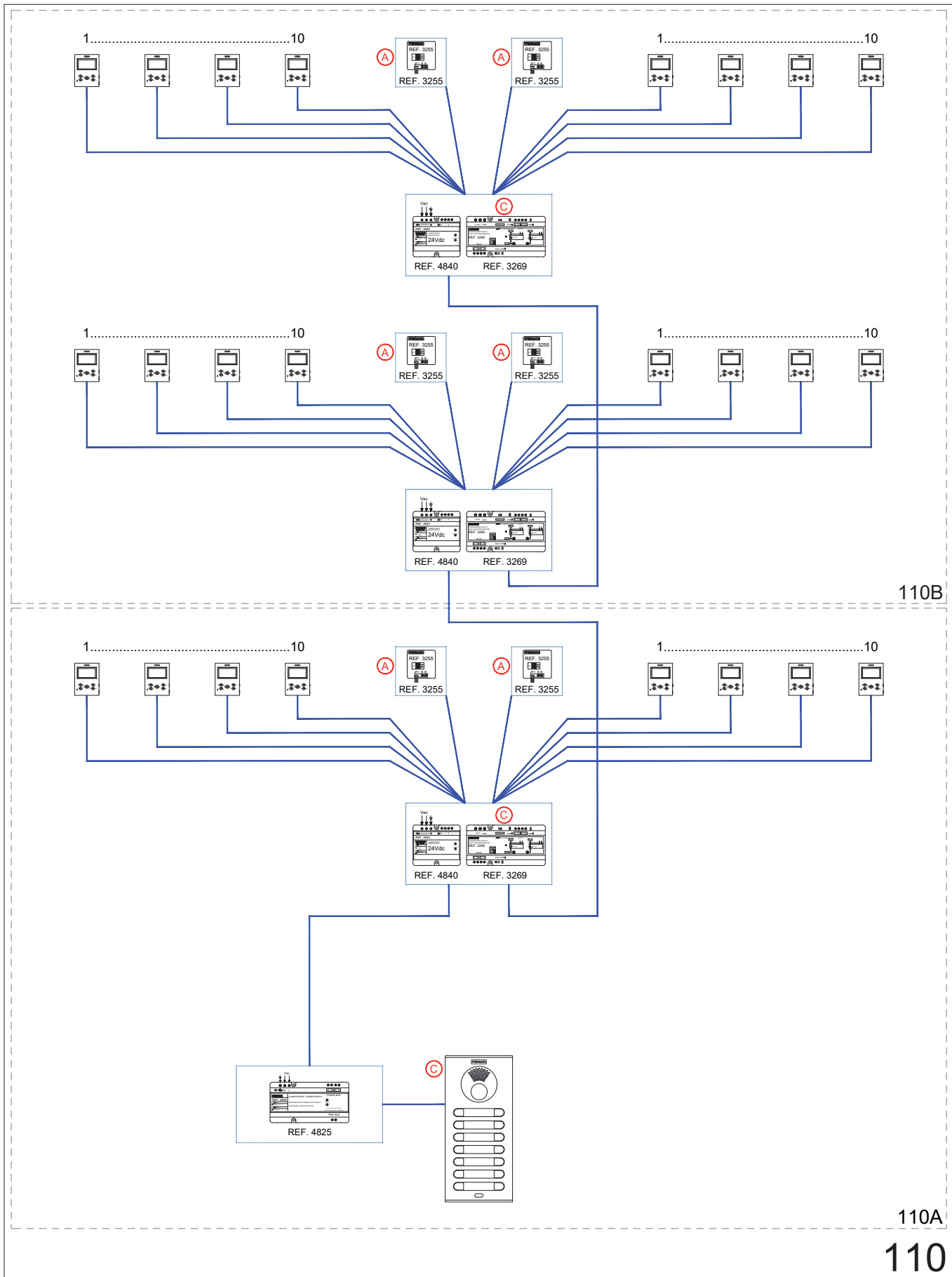
Star: 10 branches.

109 - WIRING DIAGRAM. Connection detail: Outdoor panel - Power supply set - Line adapter.



1 video access with 1 riser.  
 Star: 20 branches per floor.

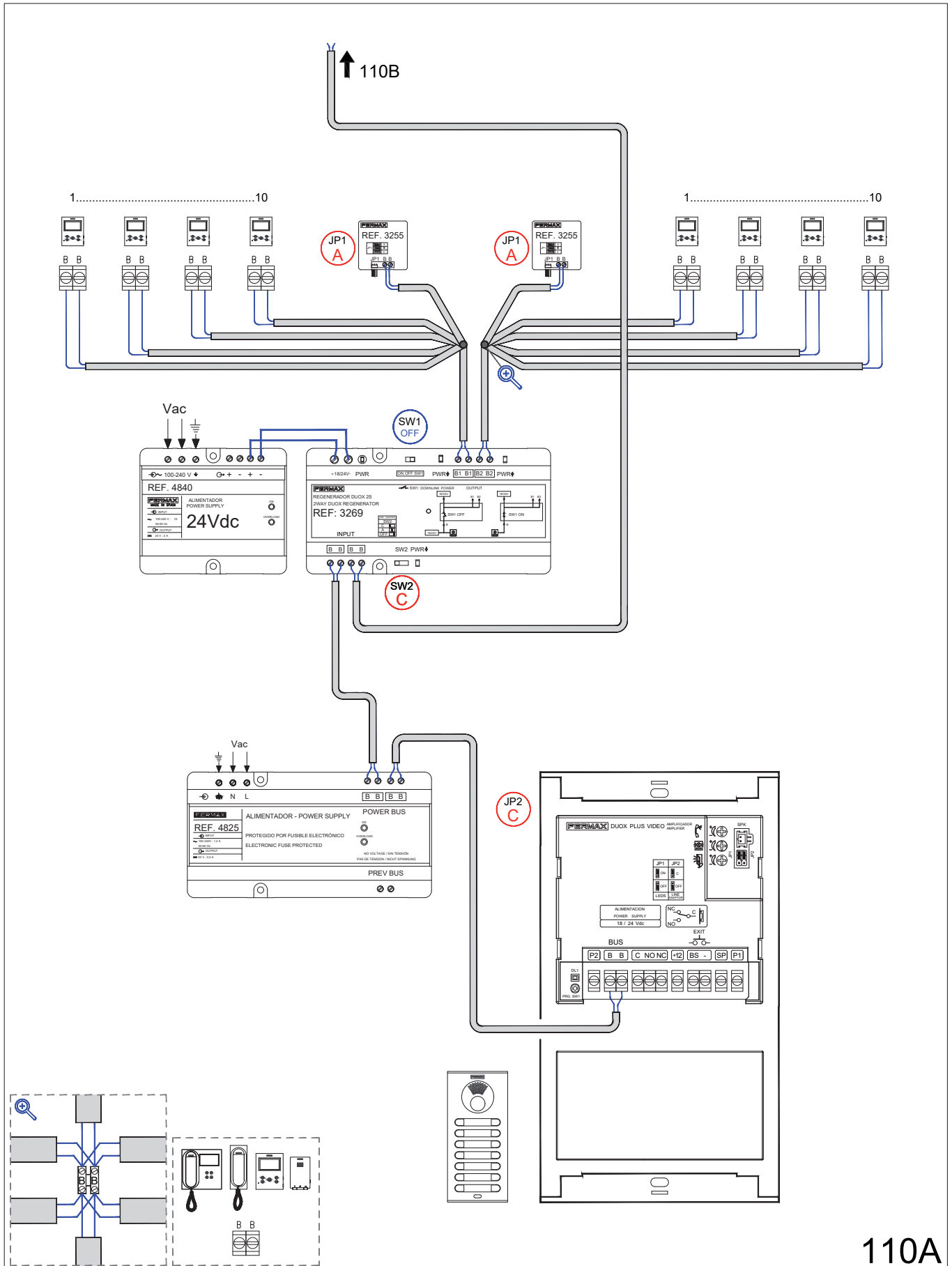
110 - SINGLE-LINE DIAGRAM.



110A  
 110B  
 110

1 video access with 1 riser.  
 Star: 20 branches per floor.

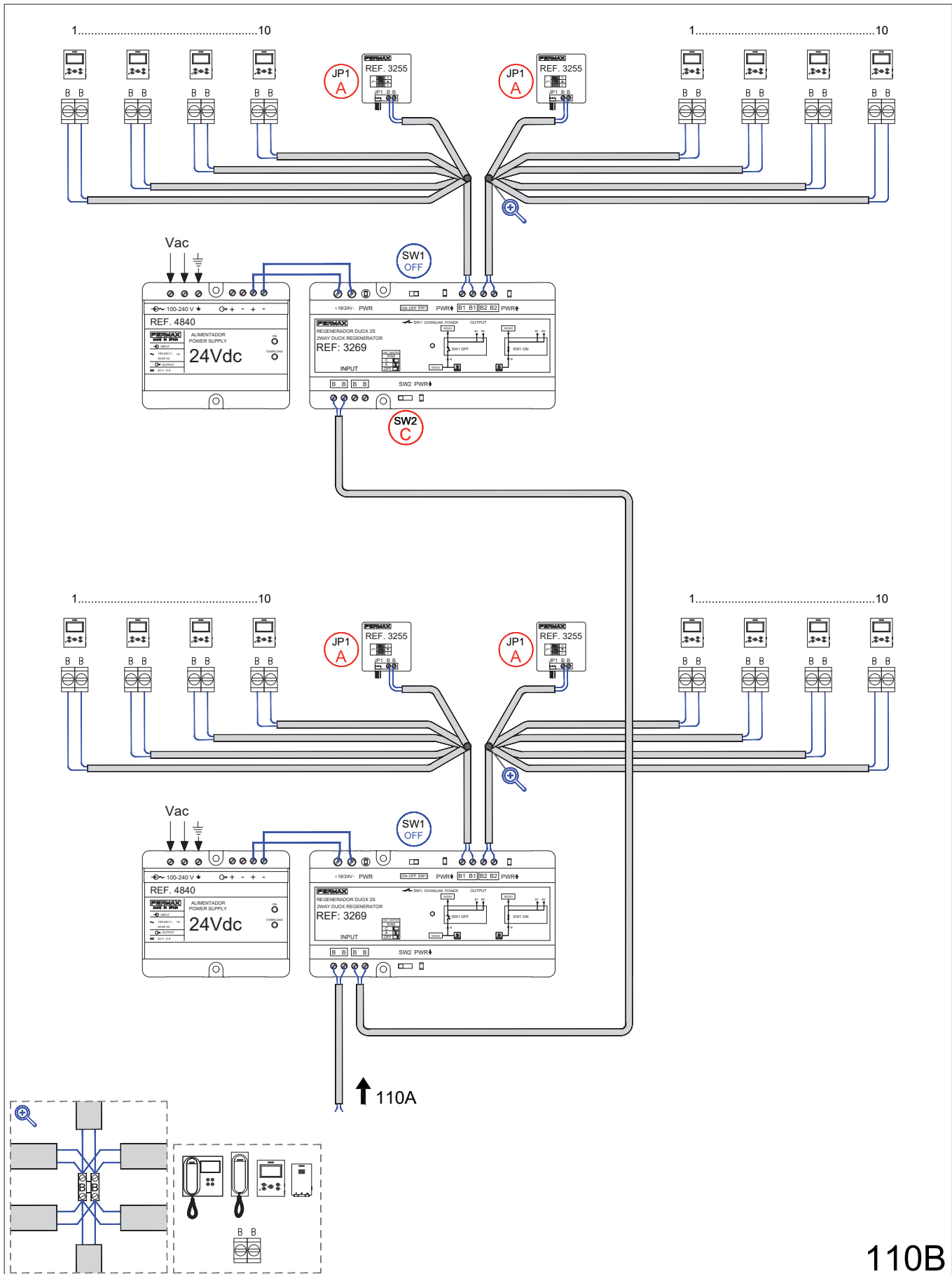
110A - WIRING DIAGRAM. Connection detail: Outdoor panel - Power supply set - First floor (2S regenerator+Power supply - Terminals - Line adapters).



110A

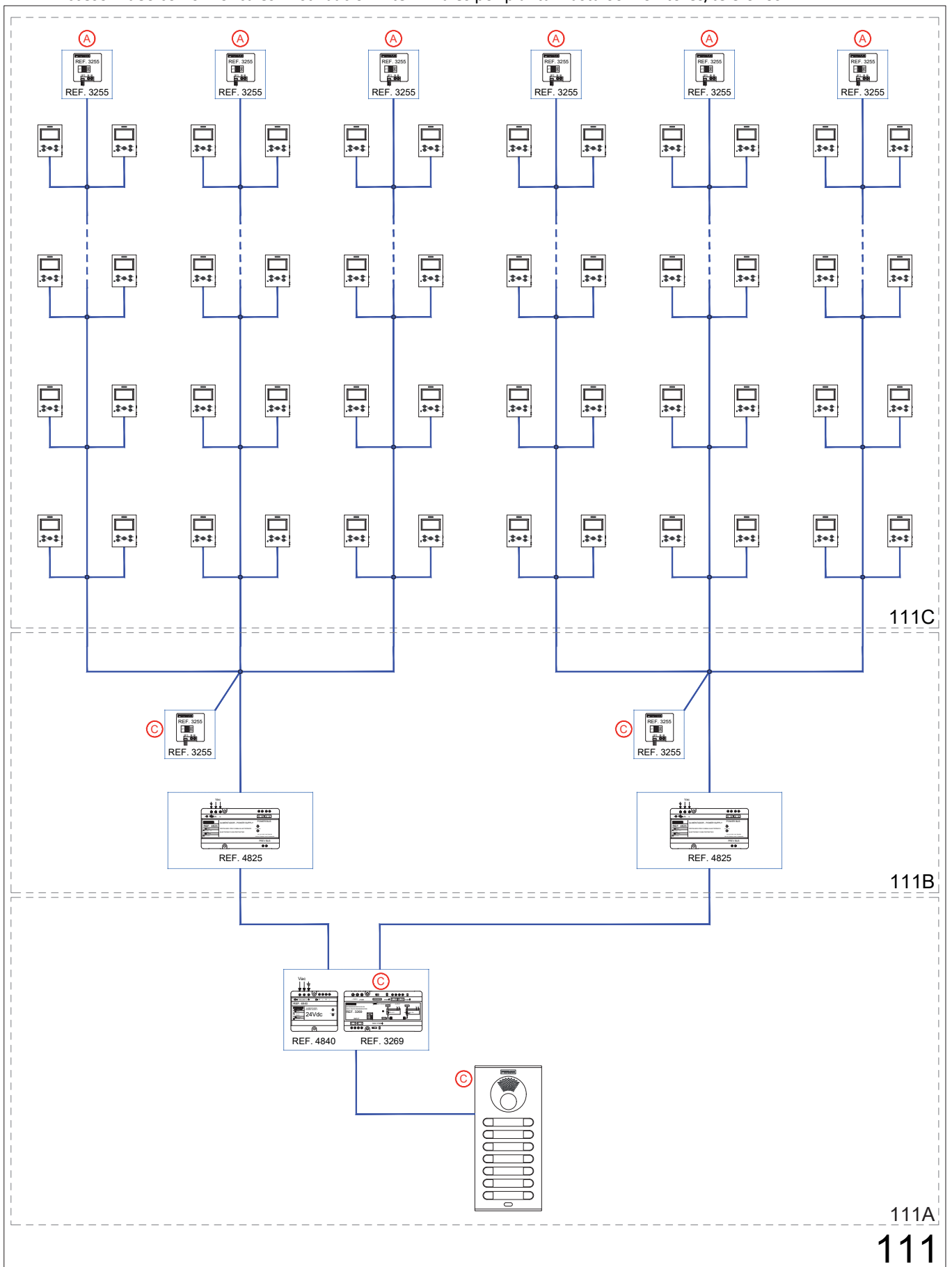
1 video access with 1 riser.  
 Star: 20 branches per floor.

110B - WIRING DIAGRAM. Connection detail: Floors (2S regenerator+Power supply - Terminals - Line adapters).



1 video access with 6 risers.  
 Distribution 2 terminals per floor.

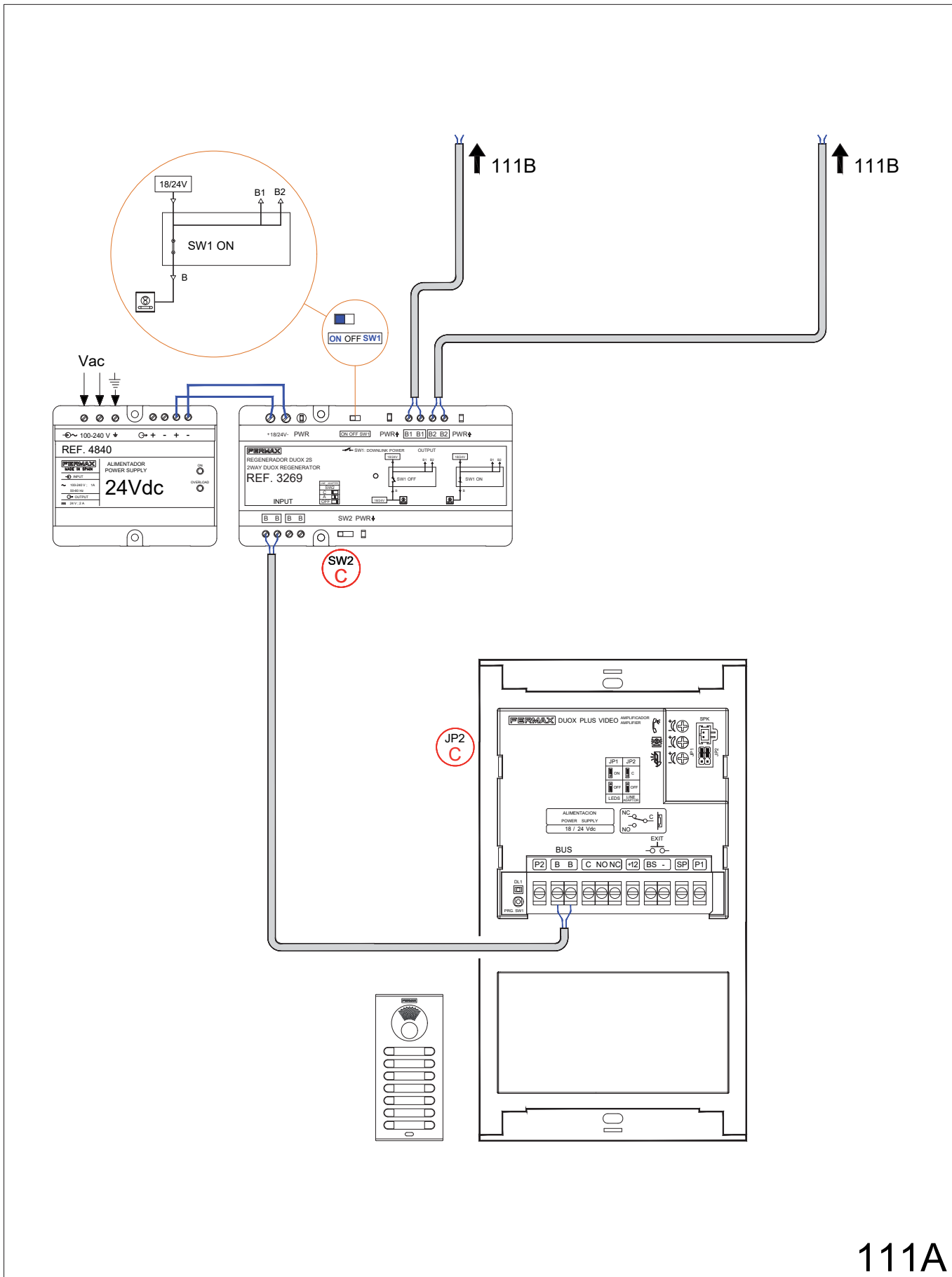
111 - SINGLE-LINE DIAGRAM.



1 video access with 6 risers.

Distribution 2 terminals per floor.

111A - WIRING DIAGRAM. Connection detail: Outdoor panel - 2S regenerator+Power supply.

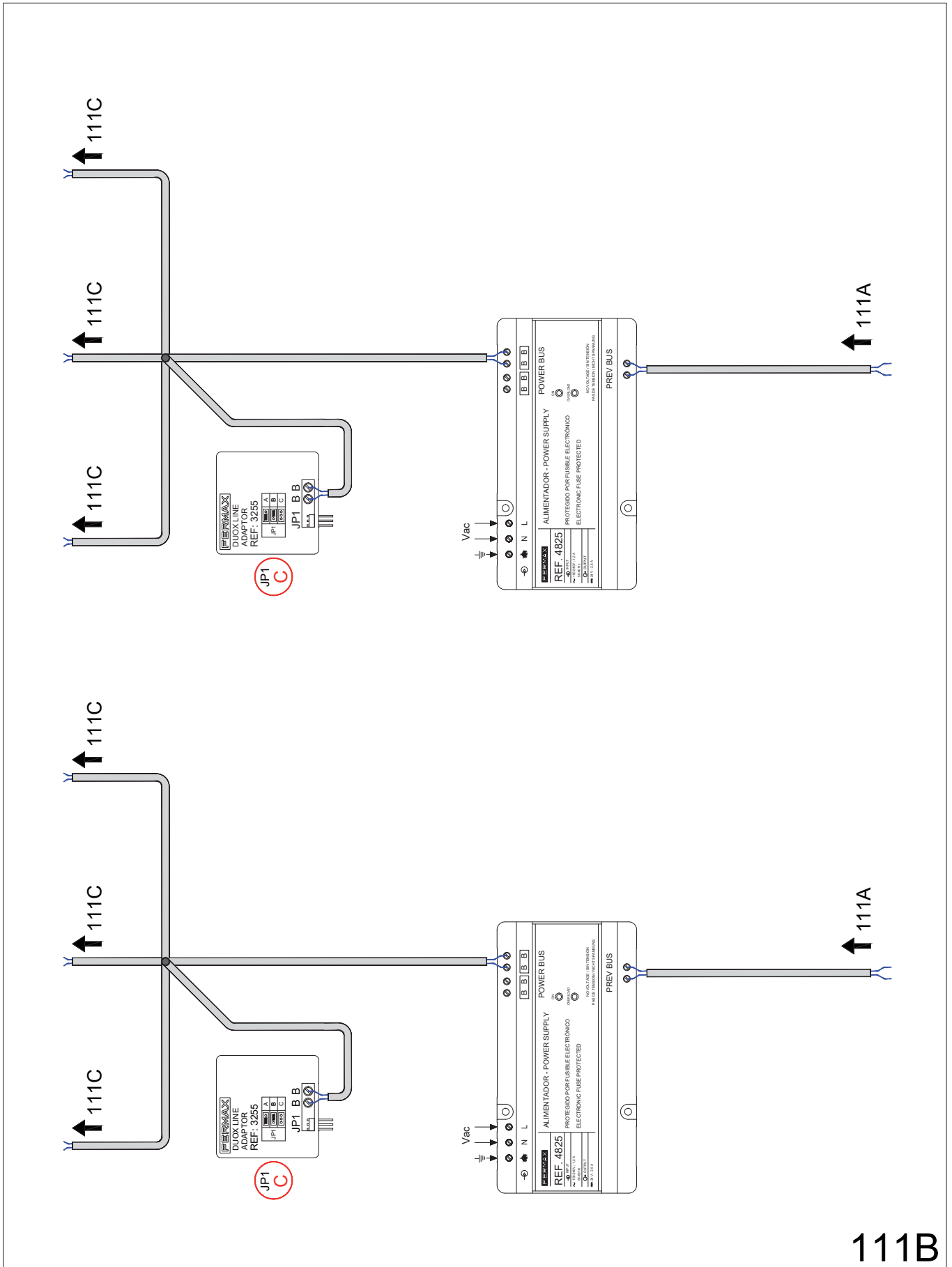


111A

1 video access with 6 risers.

Distribution 2 terminals per floor.

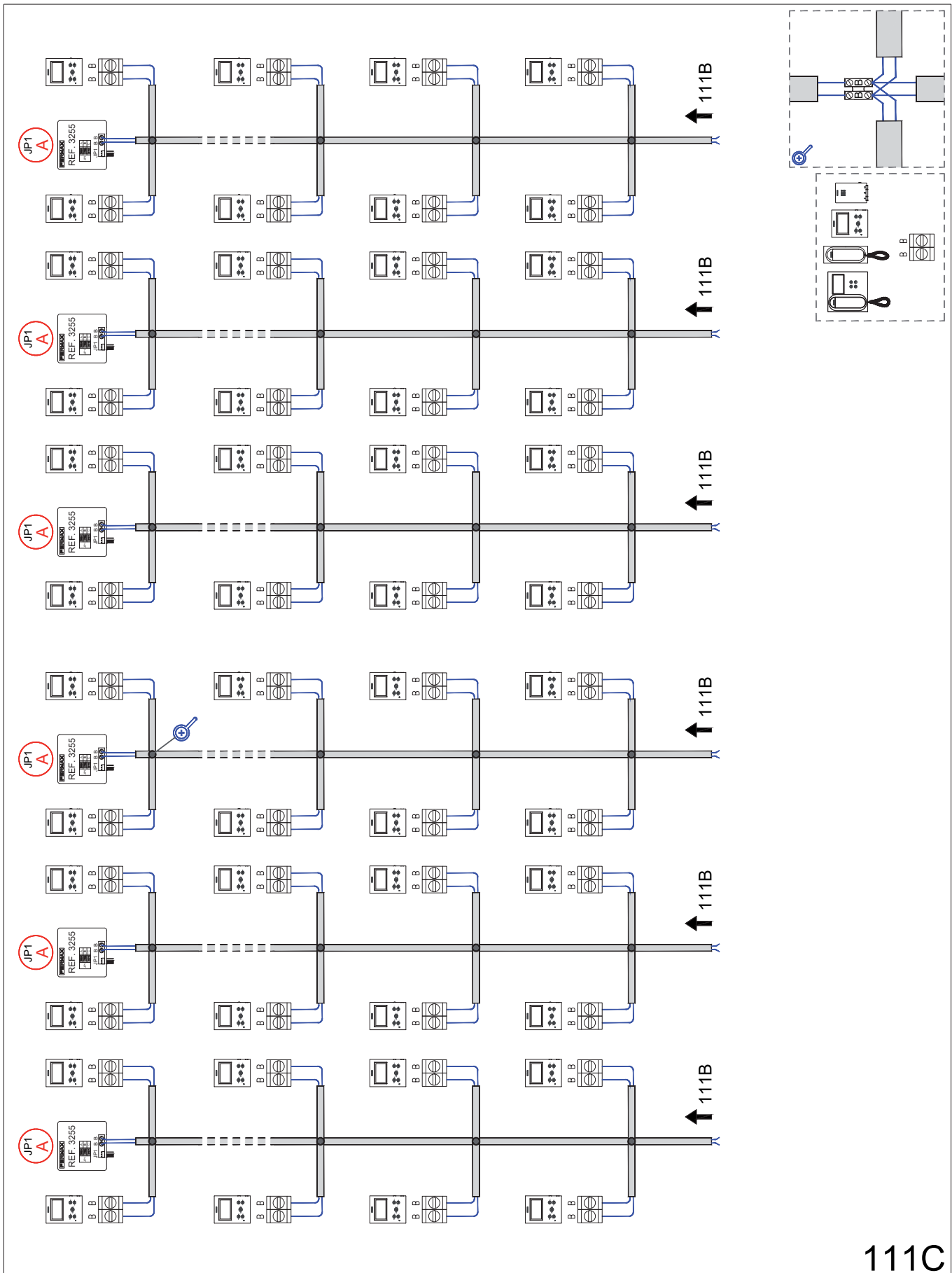
111B - WIRING DIAGRAM. Connection detail: Power supply sets - Line adapters.



1 video access with 6 risers.

Distribution 2 terminals per floor.

111C - WIRING DIAGRAM. Connection detail: Floors (Terminals - Line adapters).

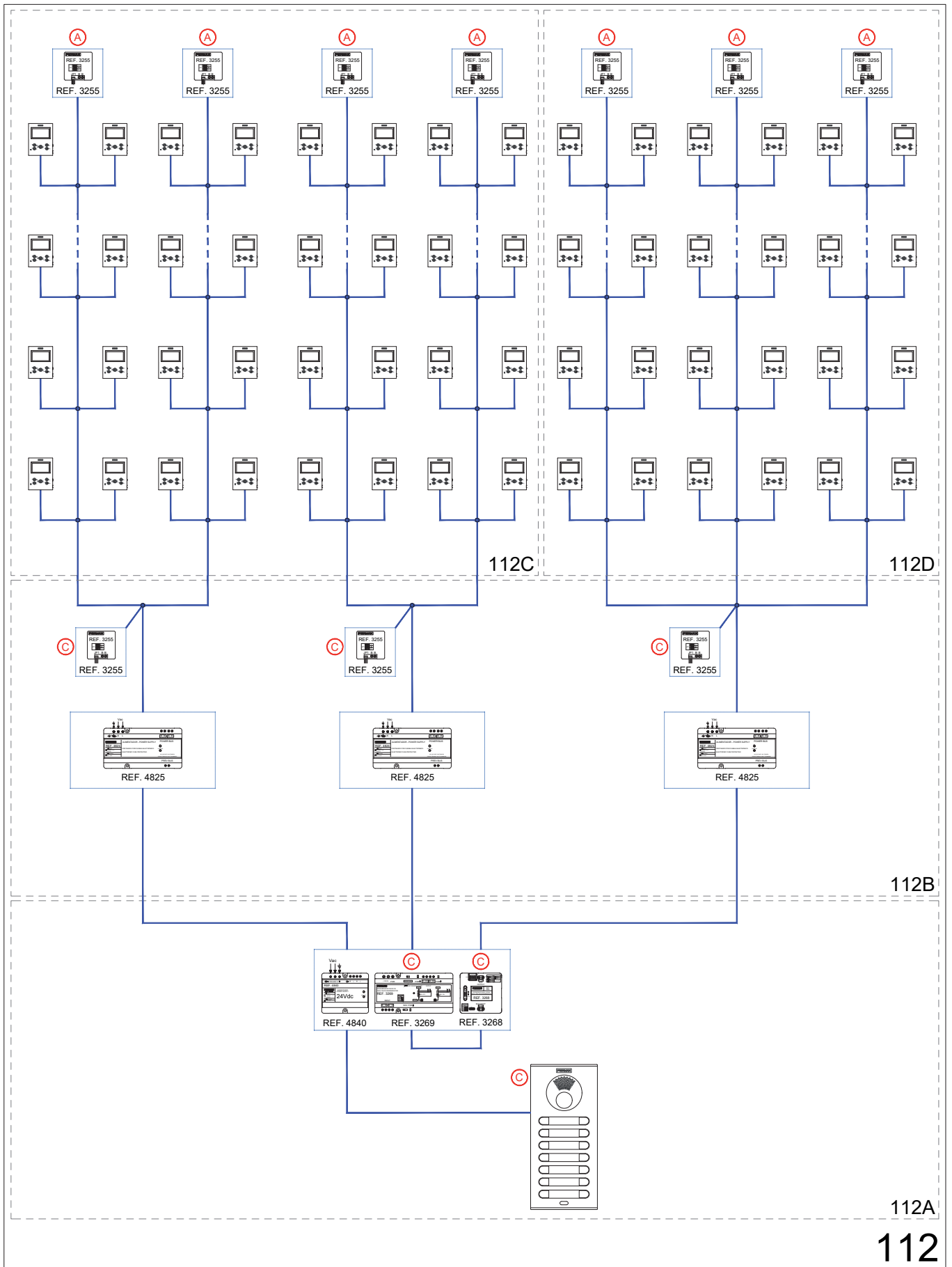


111C

1 video access with 7 risers.

Distribution 2 terminals per floor.

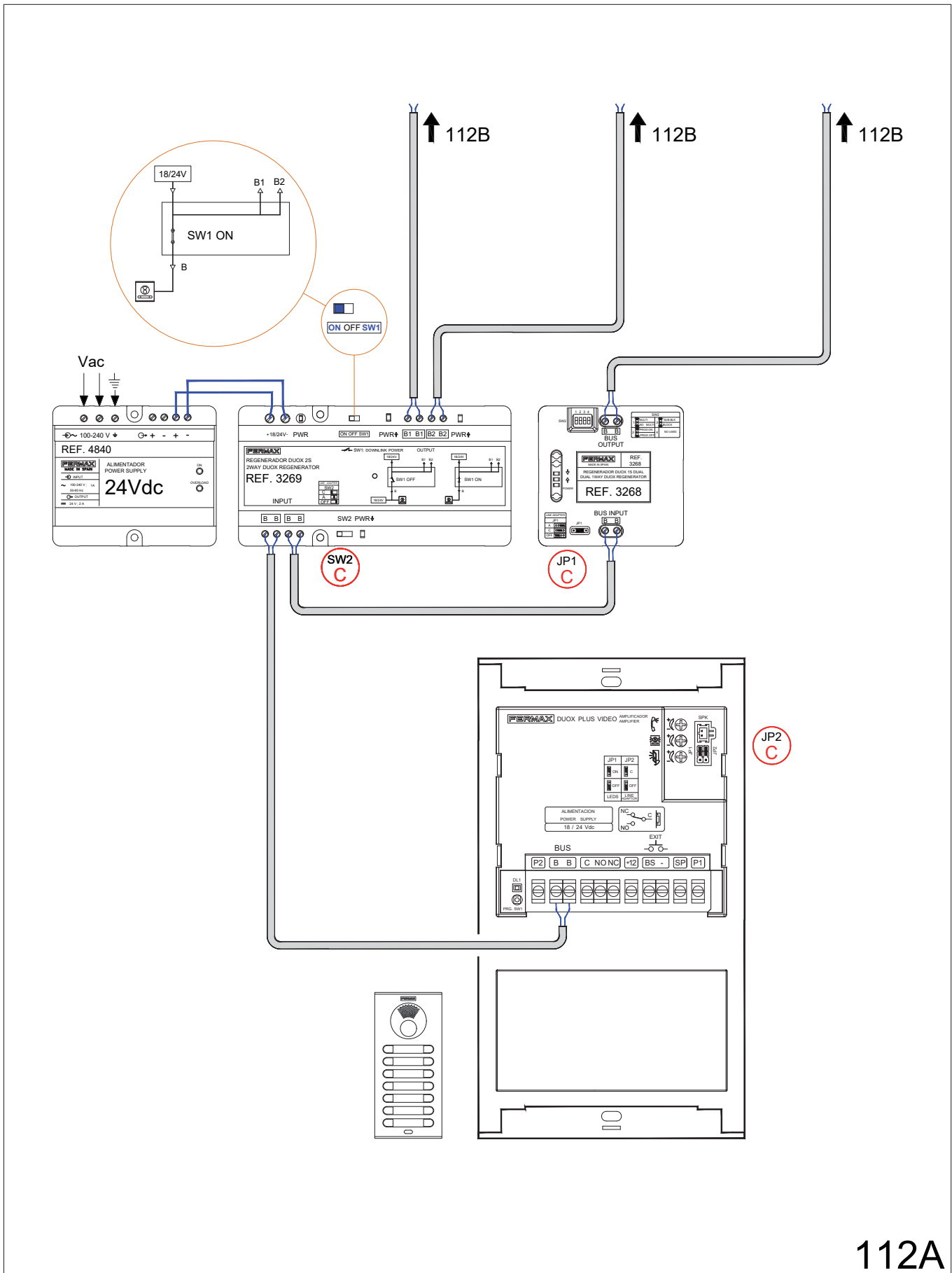
112 - SINGLE-LINE DIAGRAM.



1 video access with 7 risers.

Distribution 2 terminals per floor.

112A - WIRING DIAGRAM. Connection detail: Outdoor panel - 2S regenerator+Power supply - 1S regenerator.

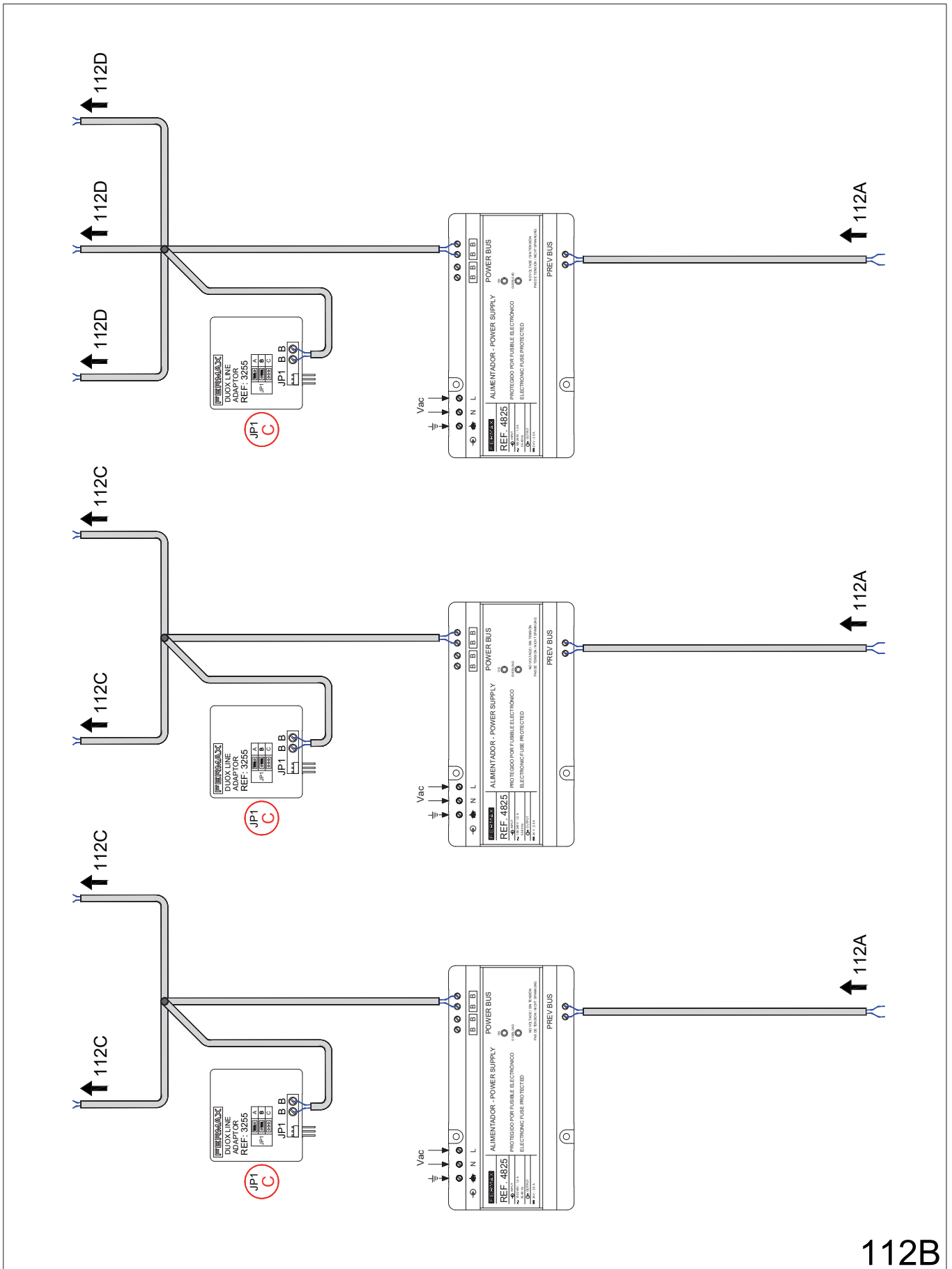


112A

1 video access with 7 risers.

Distribution 2 terminals per floor.

112B - WIRING DIAGRAM. Connection detail: Power supply sets - Line adapters.

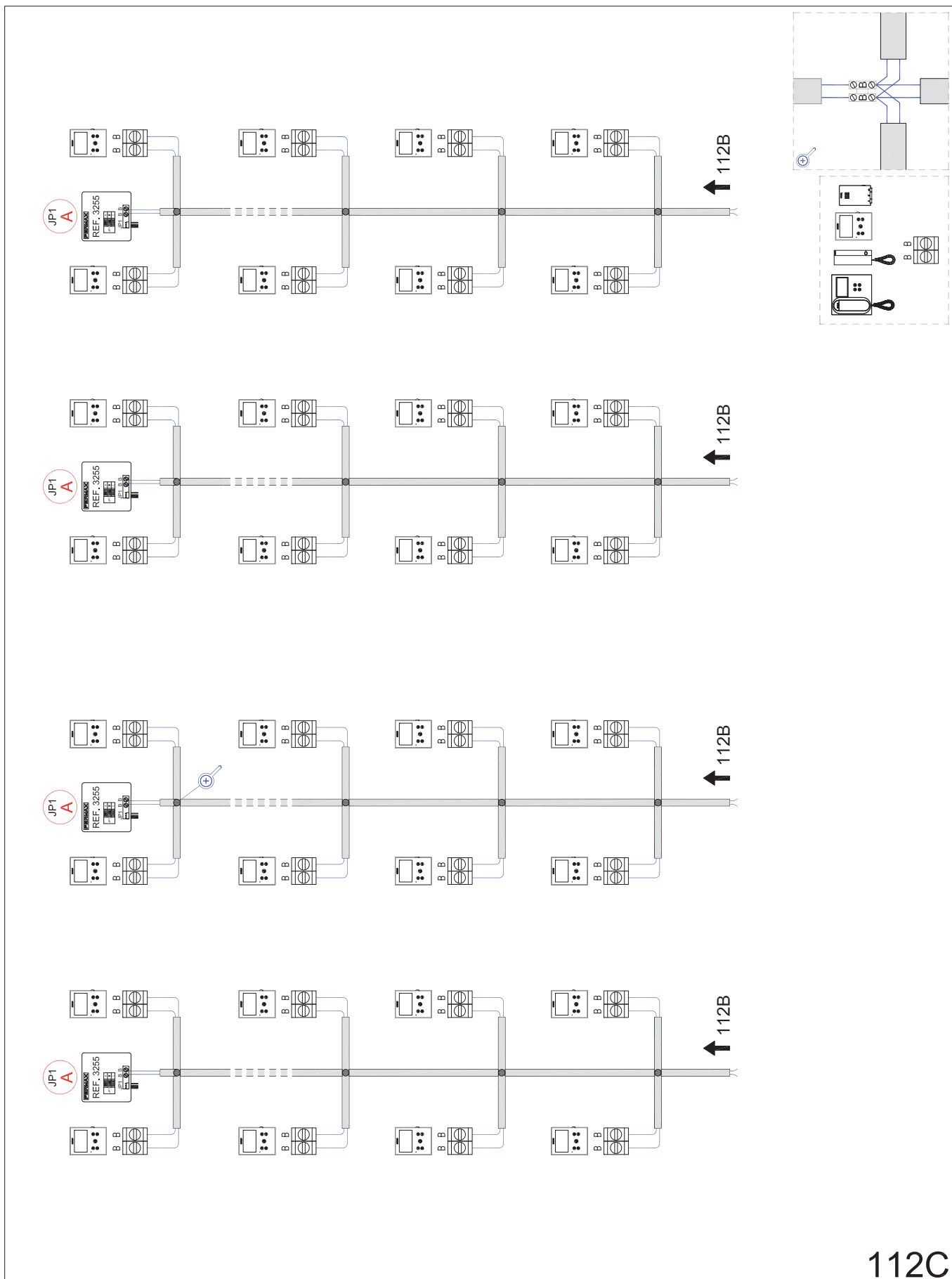


112B

1 video access with 7 risers.

Distribution 2 terminals per floor.

112C - WIRING DIAGRAM. Connection detail: Floors (Terminals - Line adapters).

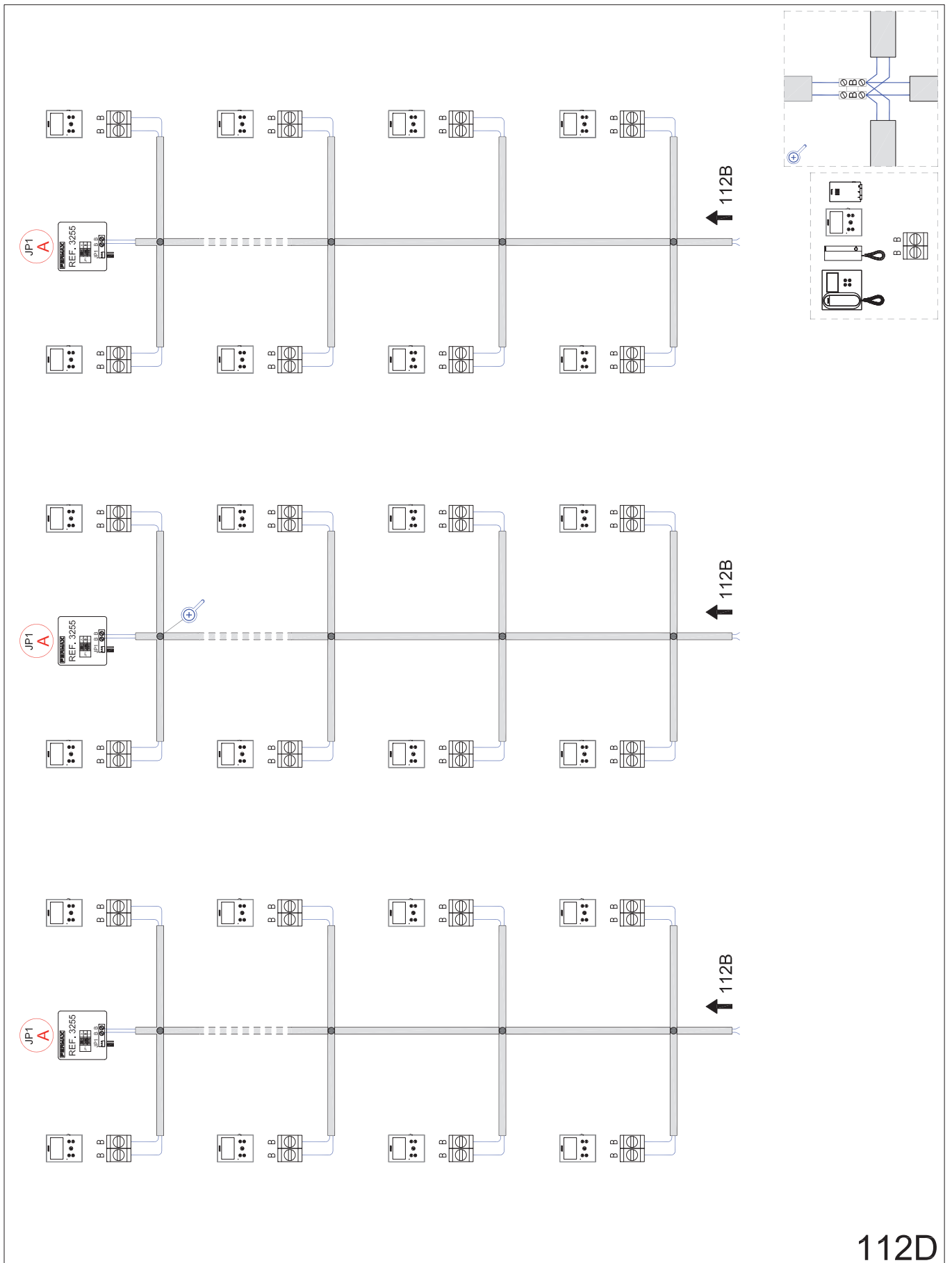


112C

1 video access with 7 risers.

Distribution 2 terminals per floor.

112D - WIRING DIAGRAM. Connection detail: Floors (Terminals - Line adapters).

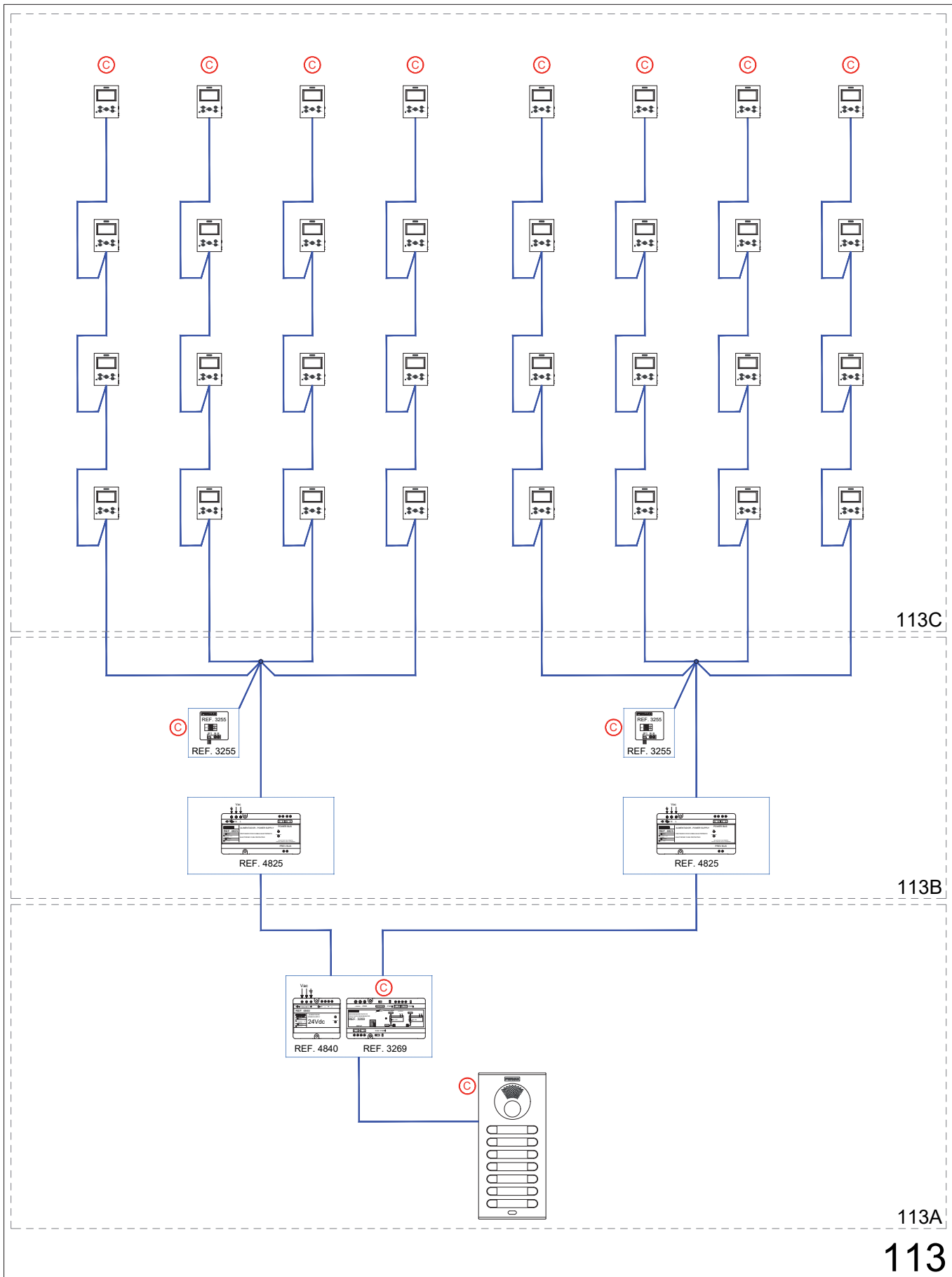


112D

1 video access with 8 risers.

Cascade.

113 - SINGLE-LINE DIAGRAM.

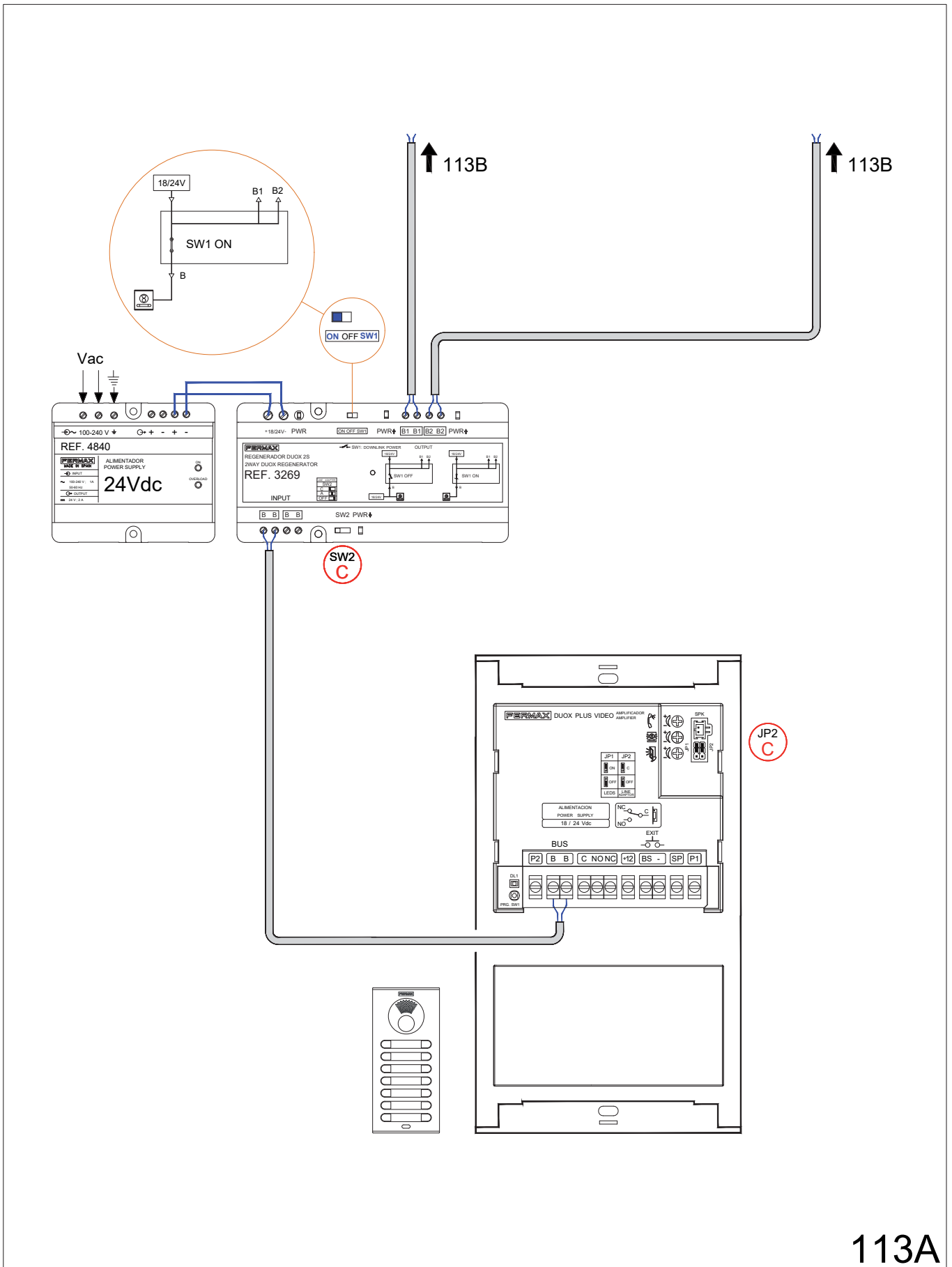


113

1 video access with 8 risers.

Cascade.

113A - WIRING DIAGRAM. Connection detail: Outdoor panel - 2S regenerator+Power supply.

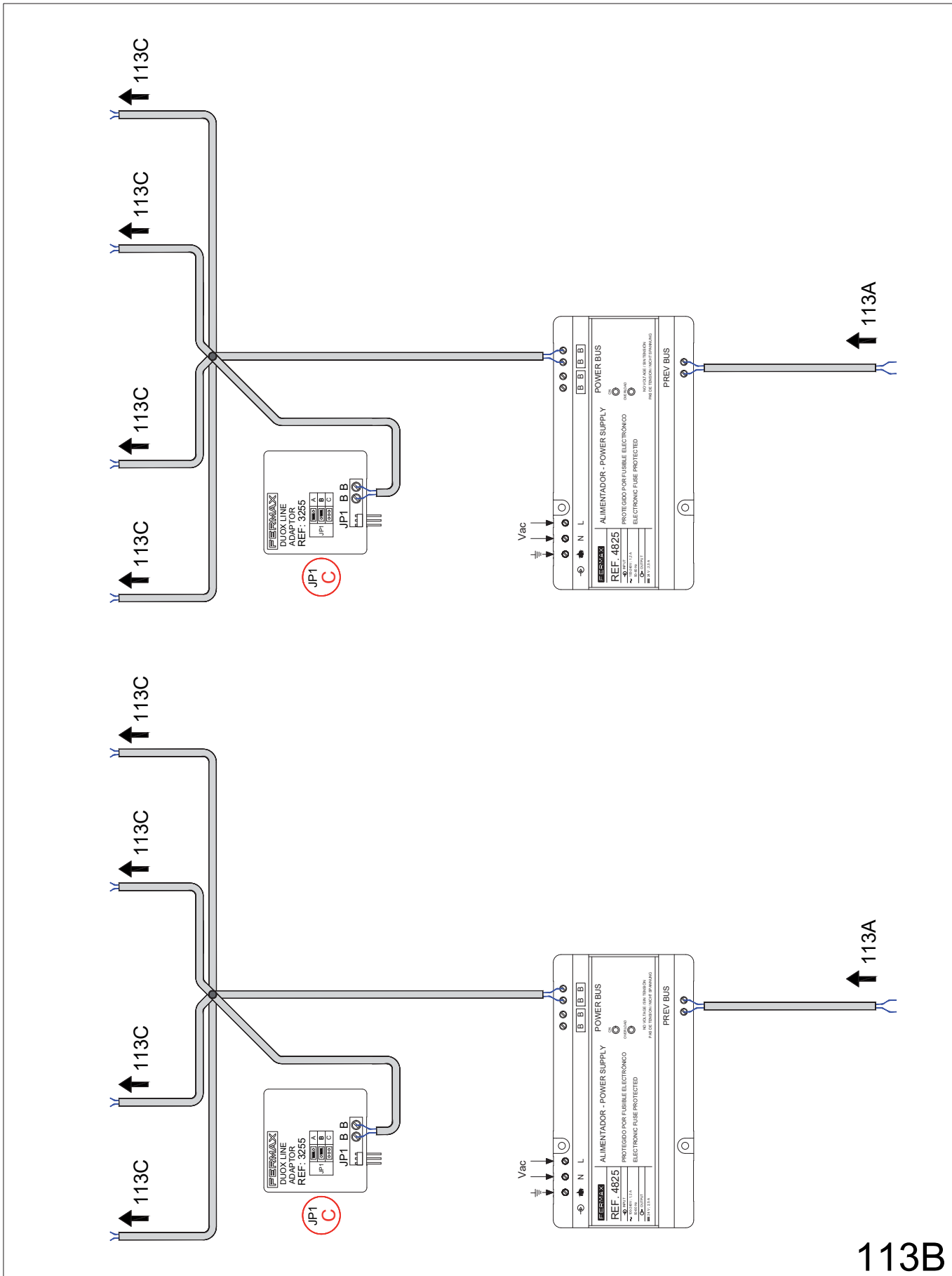


113A

1 video access with 8 risers.

Cascade.

113B - WIRING DIAGRAM. Connection detail: Power supply sets - Line adapters.

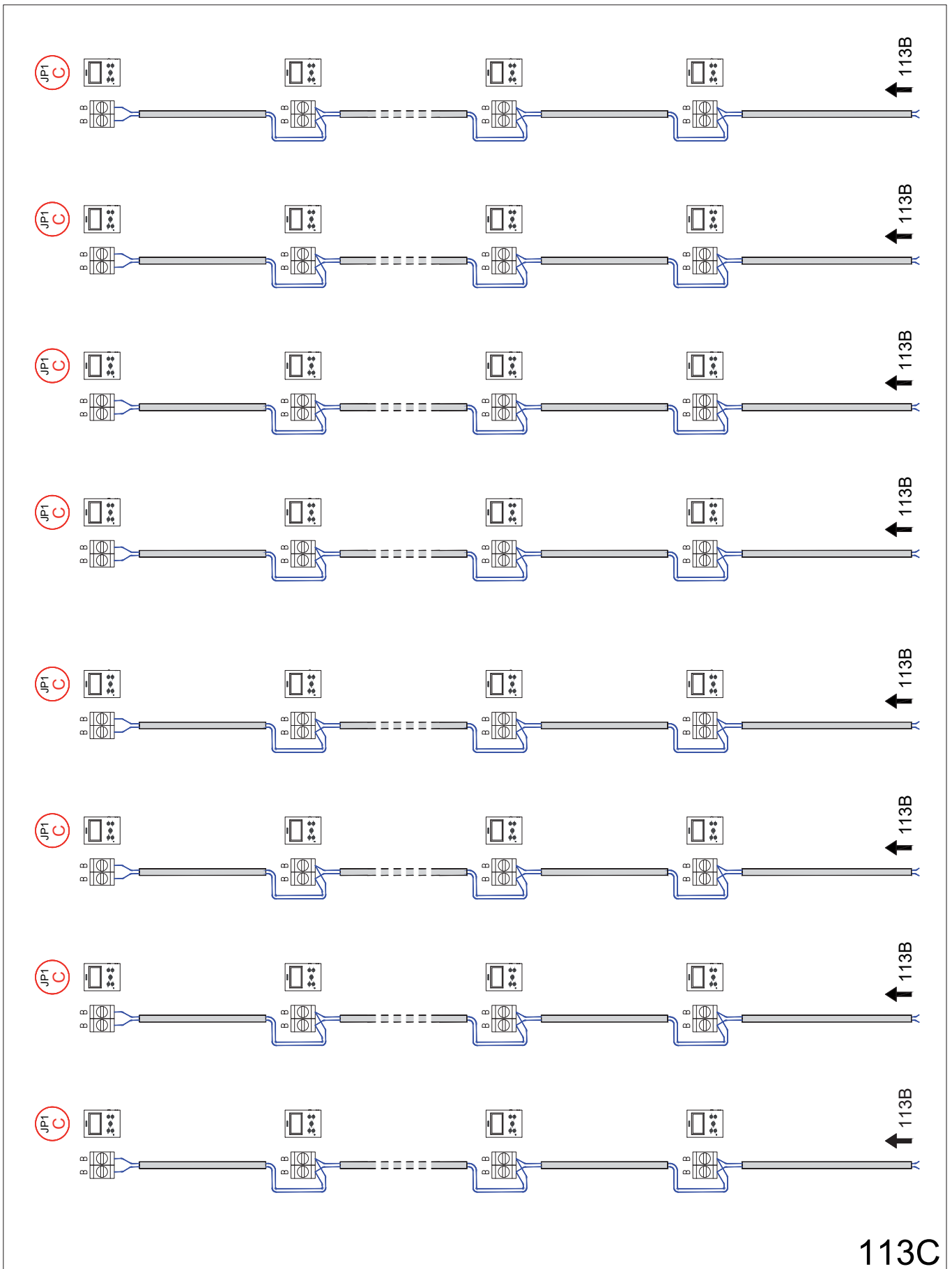


113B

1 video access with 8 risers.

Cascade.

113C - WIRING DIAGRAM. Connection detail: Floors (Terminals).

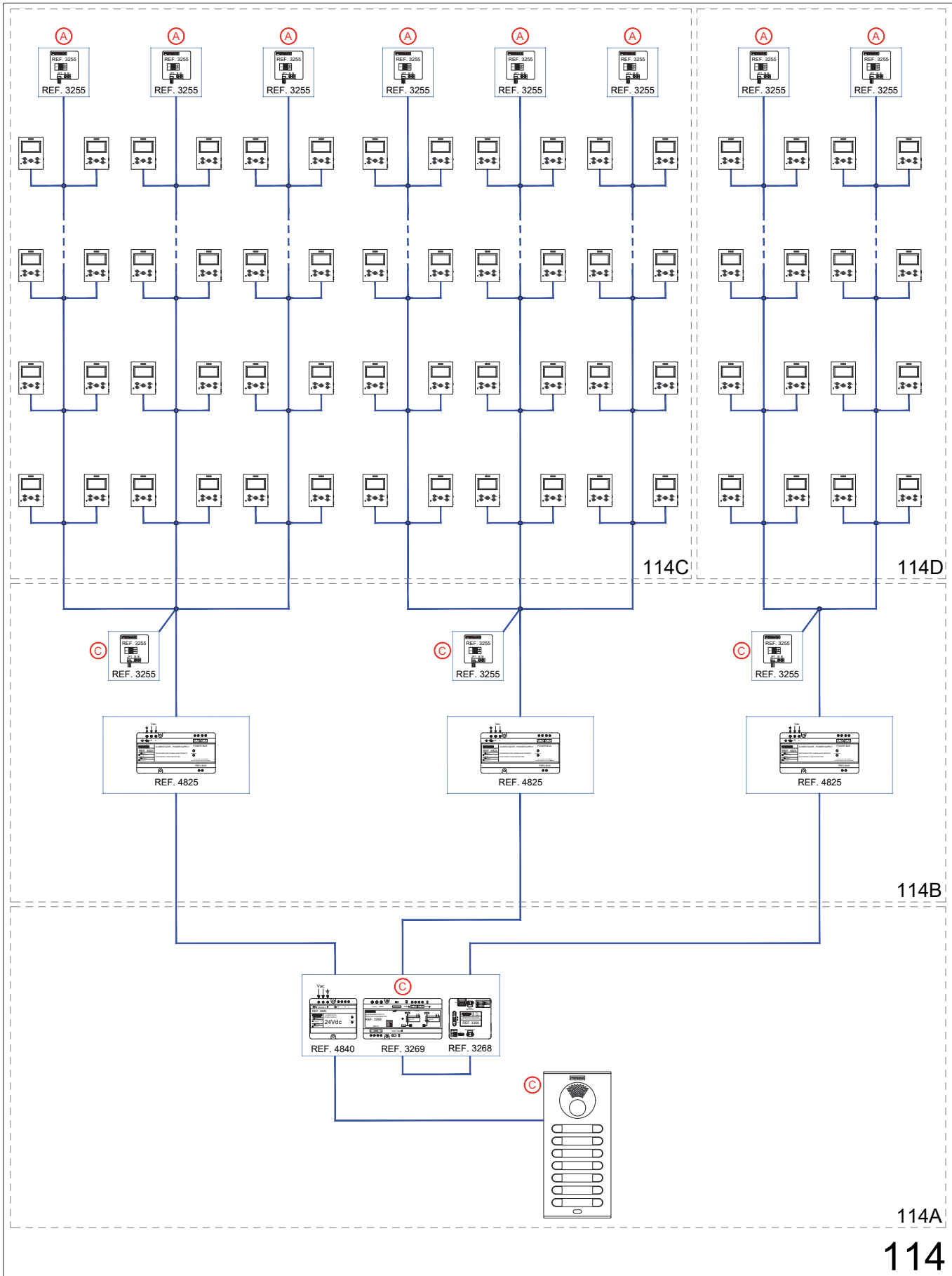


113C

1 video access with 8 risers.

Distribution 2 terminals per floor.

114 - SINGLE-LINE DIAGRAM.

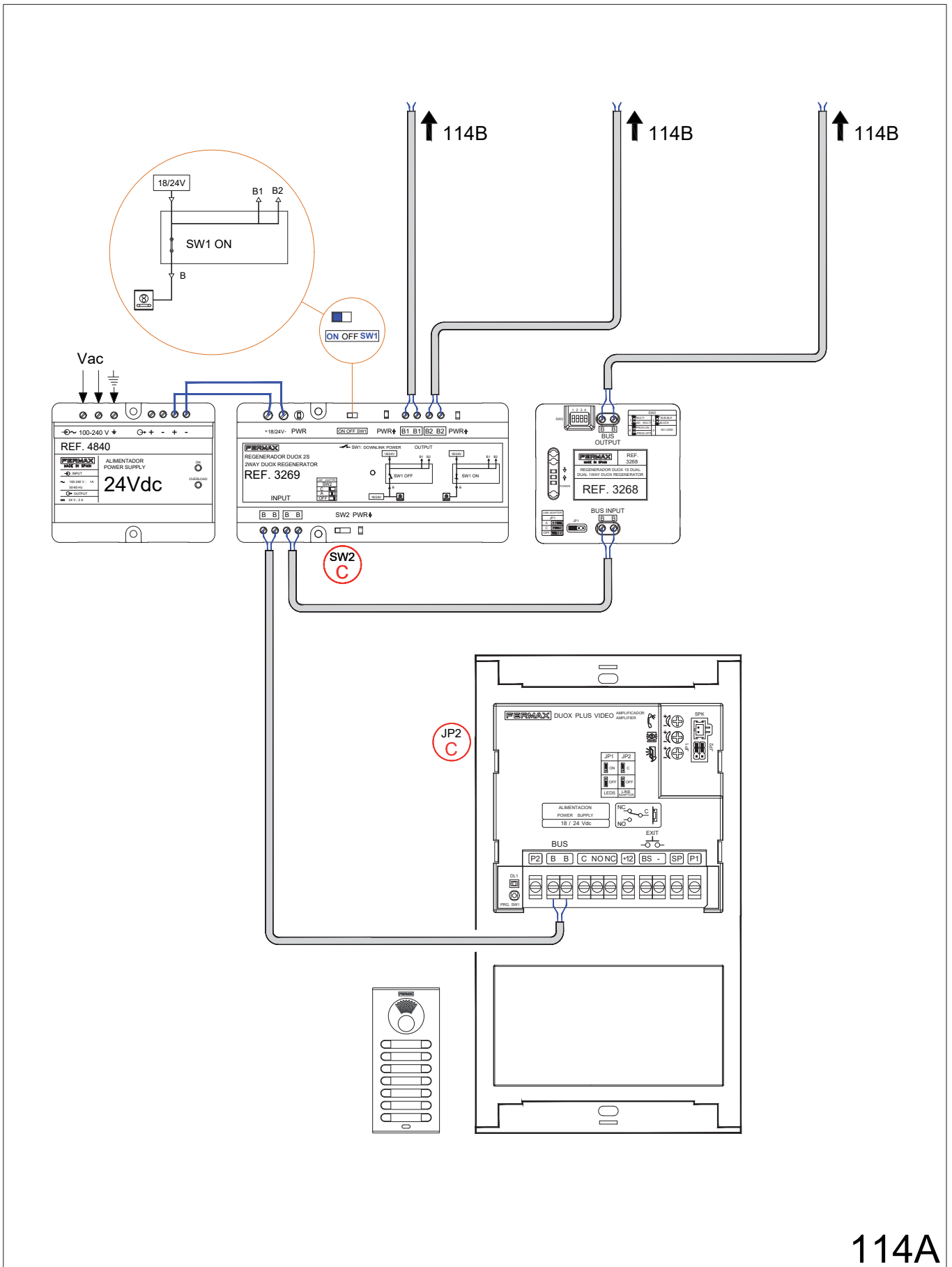


114

1 video access with 8 risers.

Distribution 2 terminals per floor.

114A - WIRING DIAGRAM. Connection detail: Outdoor panel - 2S regenerator+Power supply - 1S regenerator.

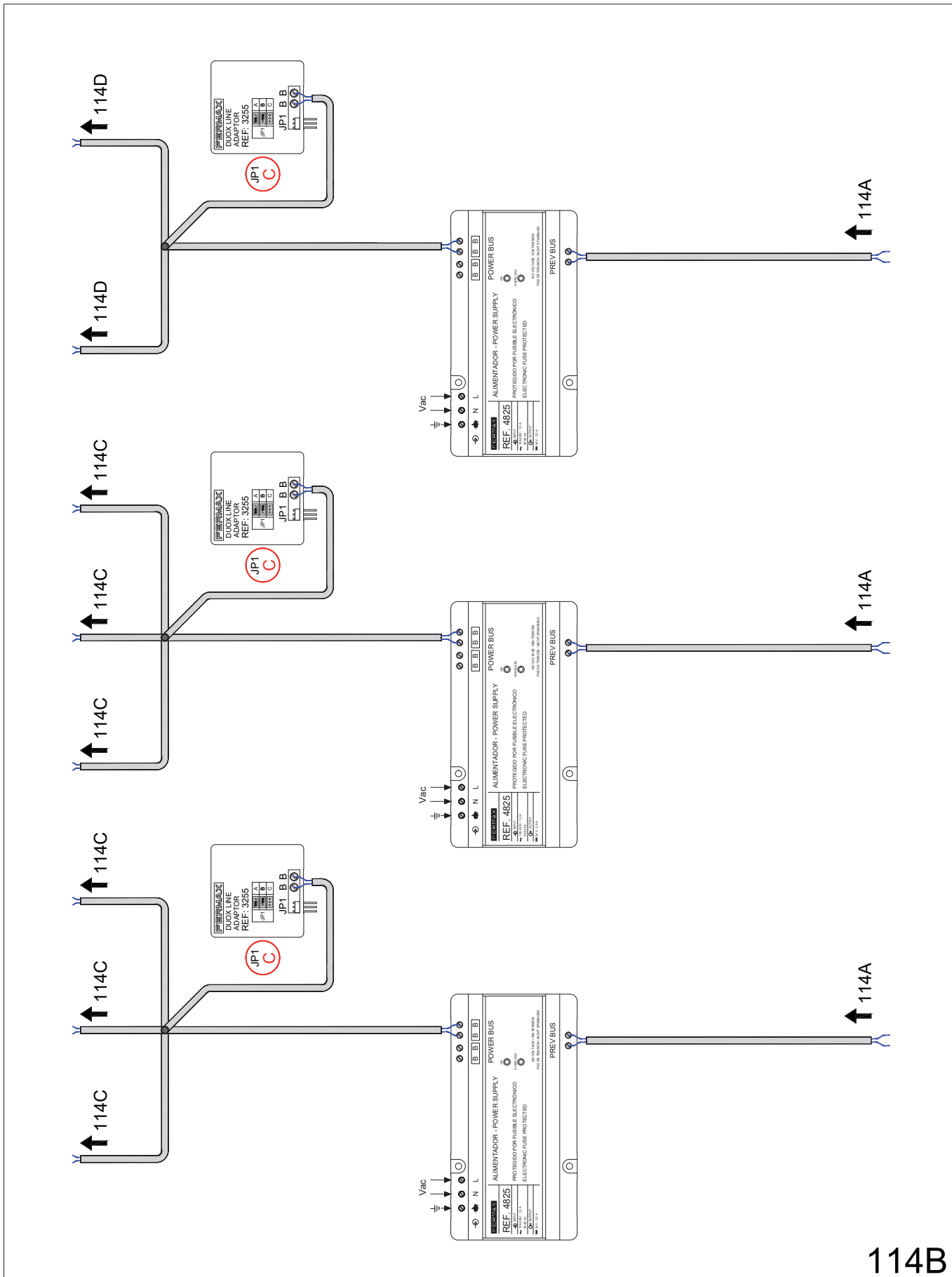


114A

1 video access with 8 risers.

Distribution 2 terminals per floor.

114B - WIRING DIAGRAM. Connection detail: Power supply sets - Line adapters.

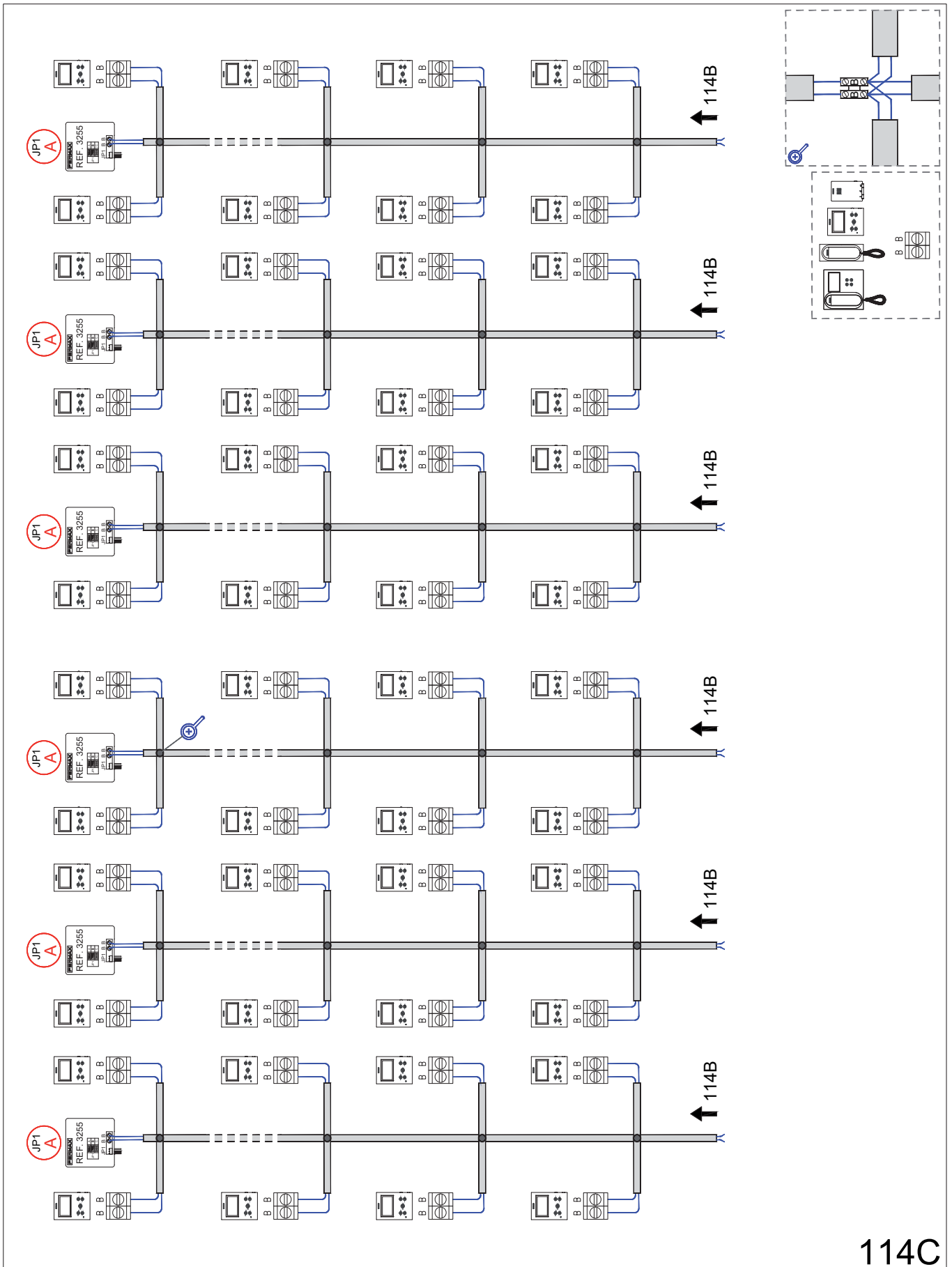


114B

1 video access with 8 risers.

Distribution 2 terminals per floor.

114C - WIRING DIAGRAM. Connection detail: Floors (Terminals - Line adapters).

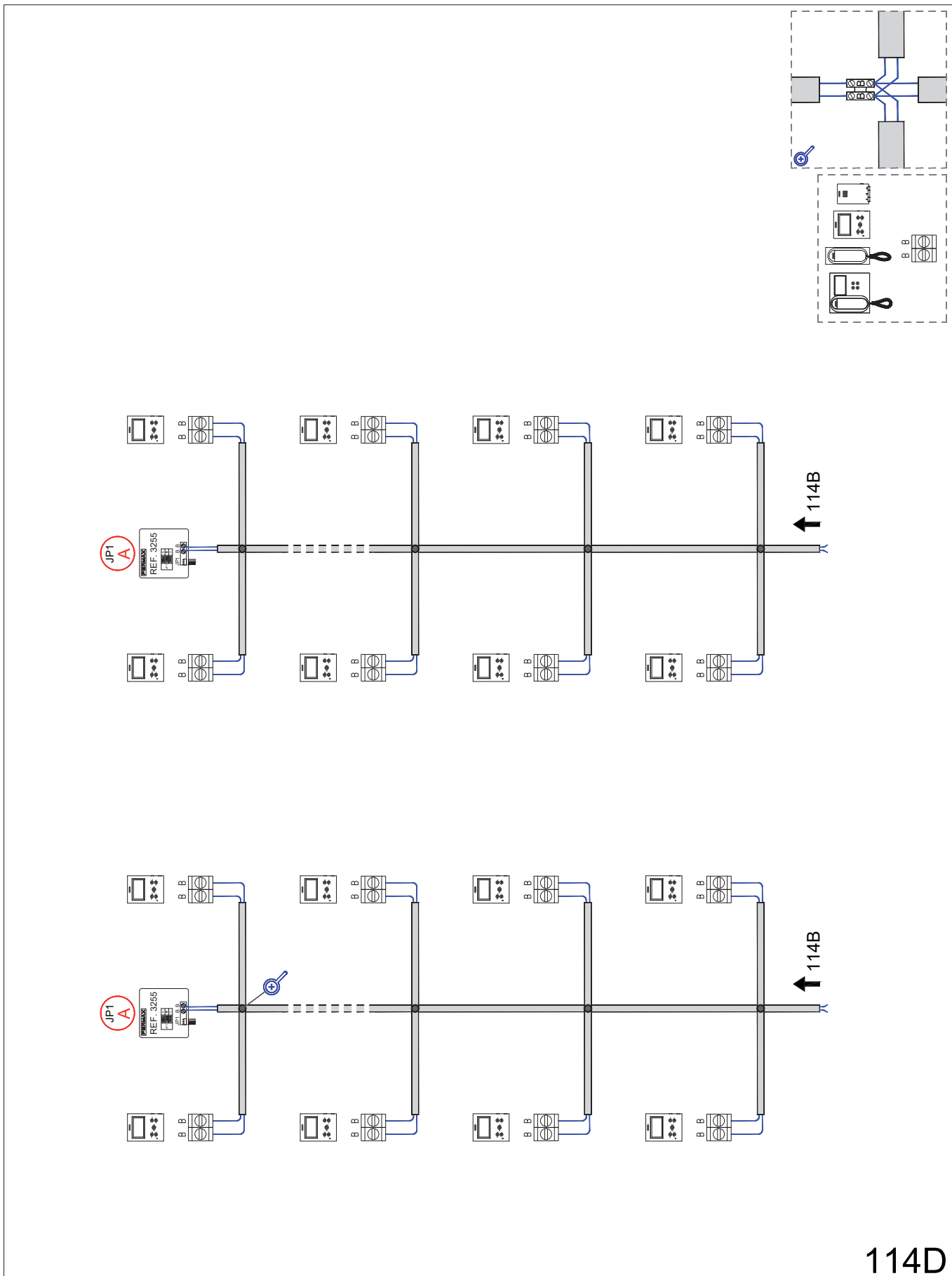


114C

1 video access with 8 risers.

Distribution 2 terminals per floor.

114D - WIRING DIAGRAM. Connection detail: Floors (Terminals - Line adapters).



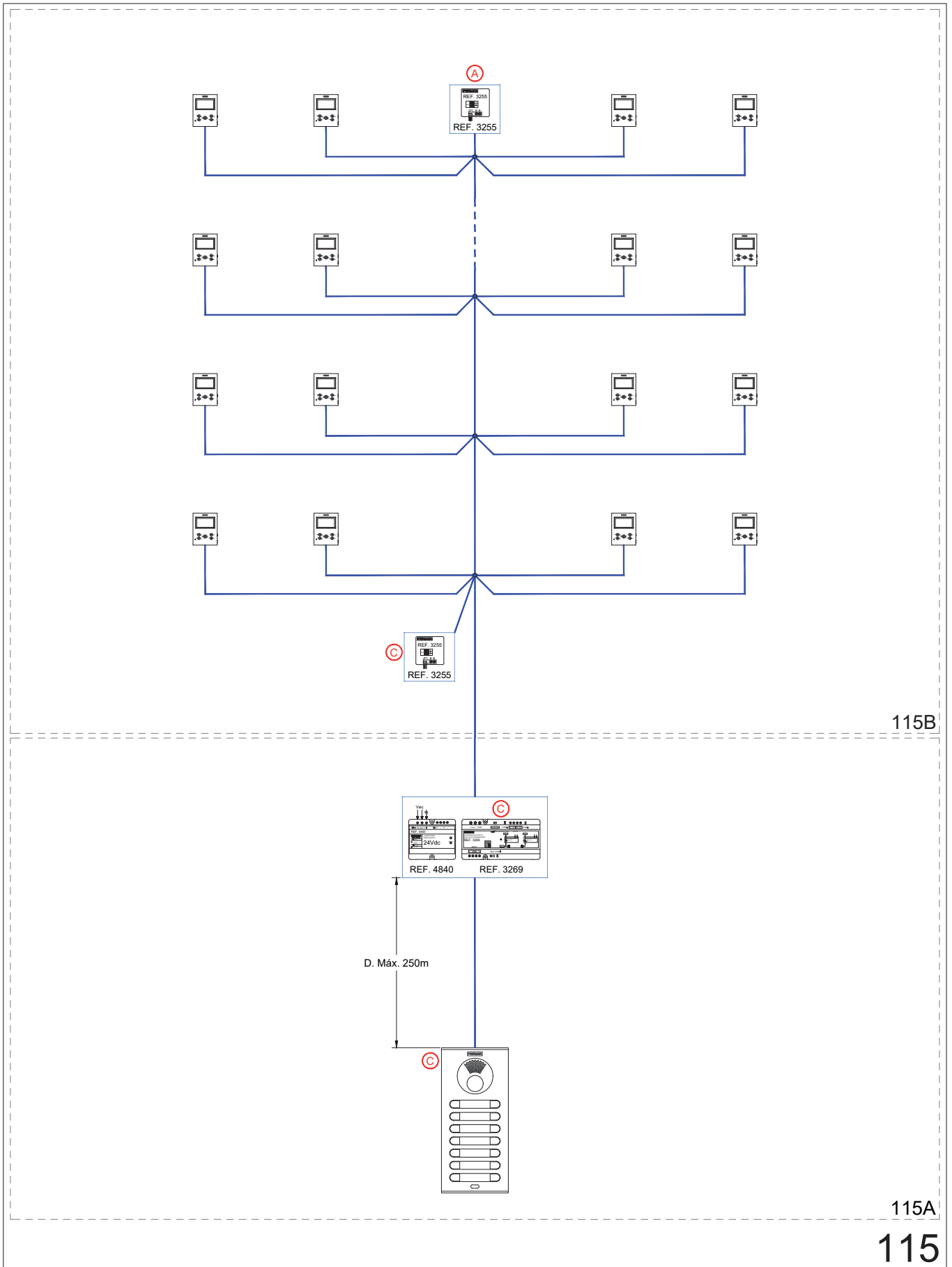
114D

1 video access with 1 riser.

Distribution 4 terminals per floor.

Distanced outdoor panel. Maximum distance of 250 metres.

115 - SINGLE-LINE DIAGRAM.

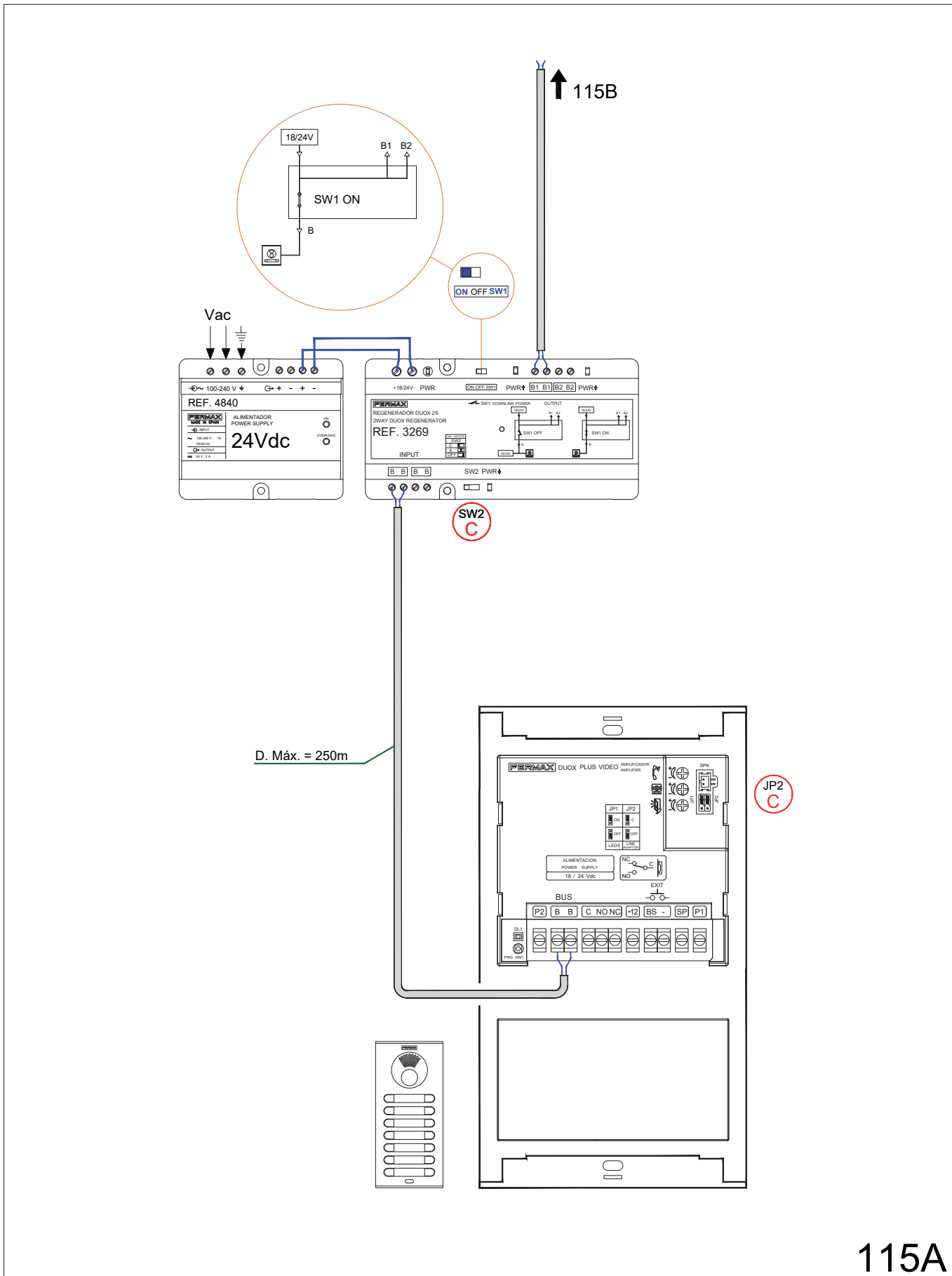


1 video access with 1 riser.

Distribution 4 terminals per floor.

Distanced outdoor panel. Maximum distance of 250 metres.

115A - WIRING DIAGRAM. Connection detail: Outdoor panel - 2S regenerator+Power supply.



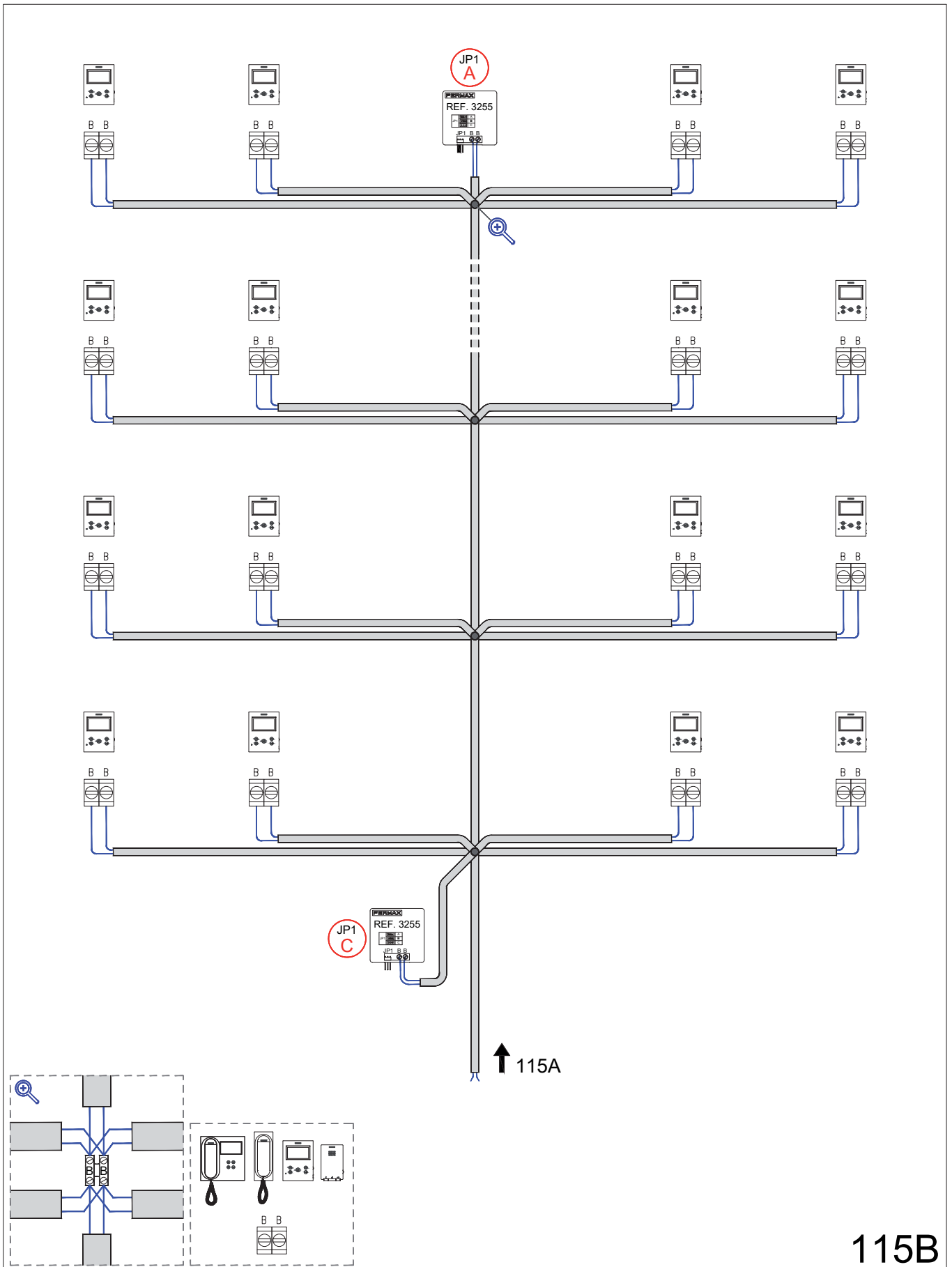
115A

1 video access with 1 riser.

Distribution 4 terminals per floor.

Distanced outdoor panel. Maximum distance of 250 metres.

115B - WIRING DIAGRAM. Connection detail: Floors (Terminals - Line adapters).

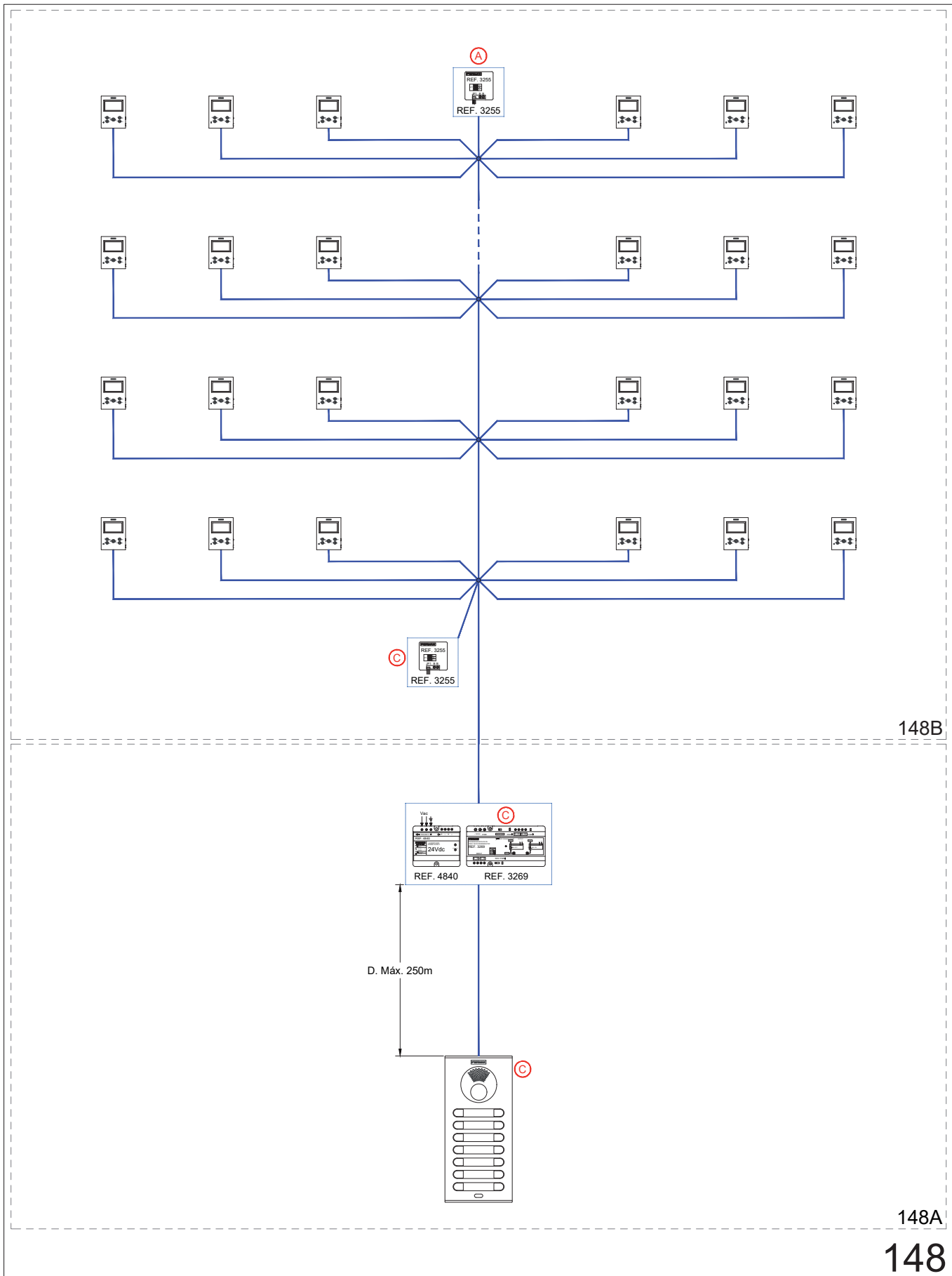


1 video access with 1 riser.

Distribution 6 terminals per floor.

Distanced outdoor panel. Maximum distance of 250 metres.

148 - SINGLE-LINE DIAGRAM.

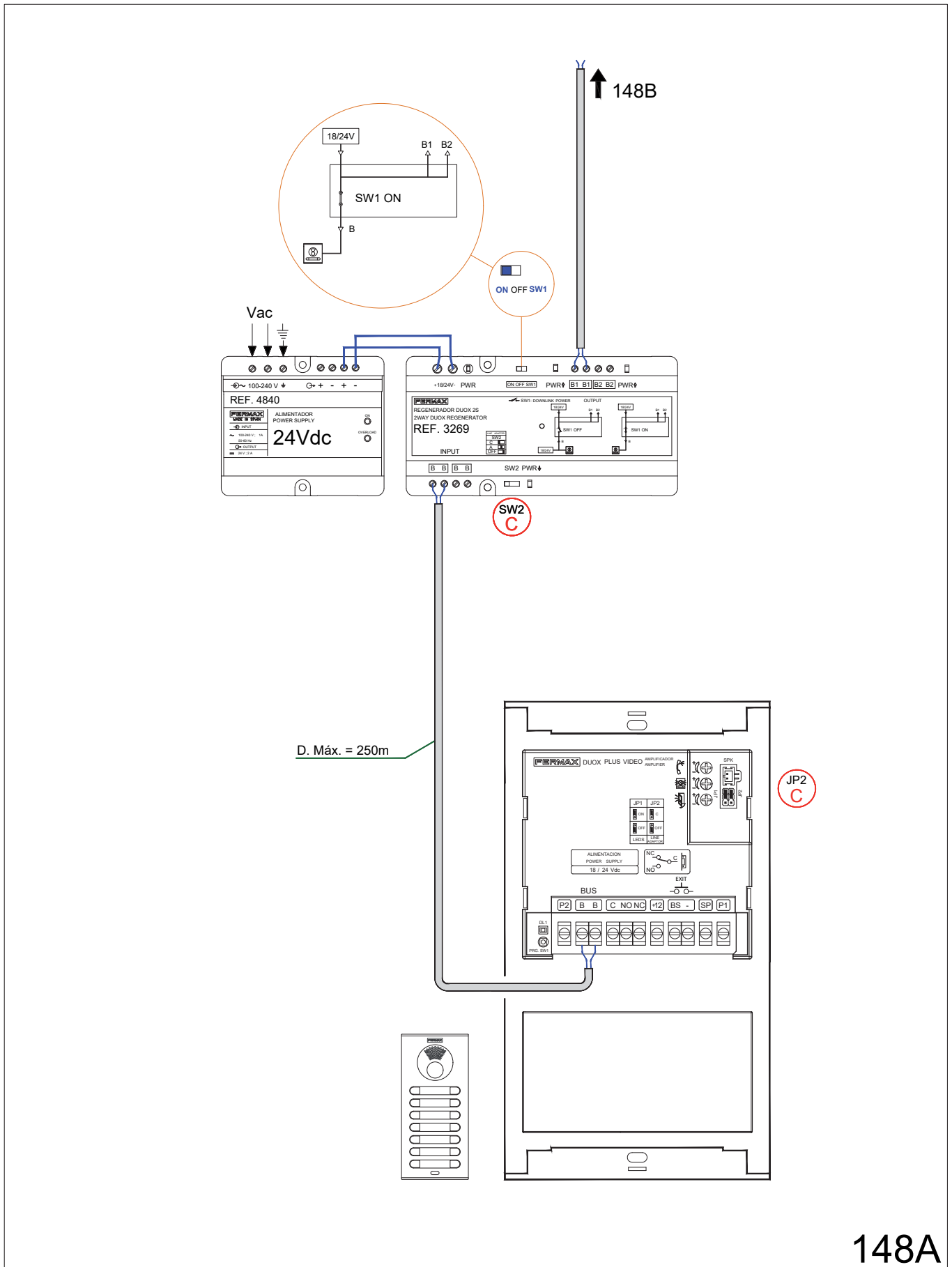


1 video access with 1 riser.

Distribution 6 terminals per floor.

Distanced outdoor panel. Maximum distance of 250 metres.

148A - WIRING DIAGRAM. Connection detail: Outdoor panel - 2S regenerator+Power supply



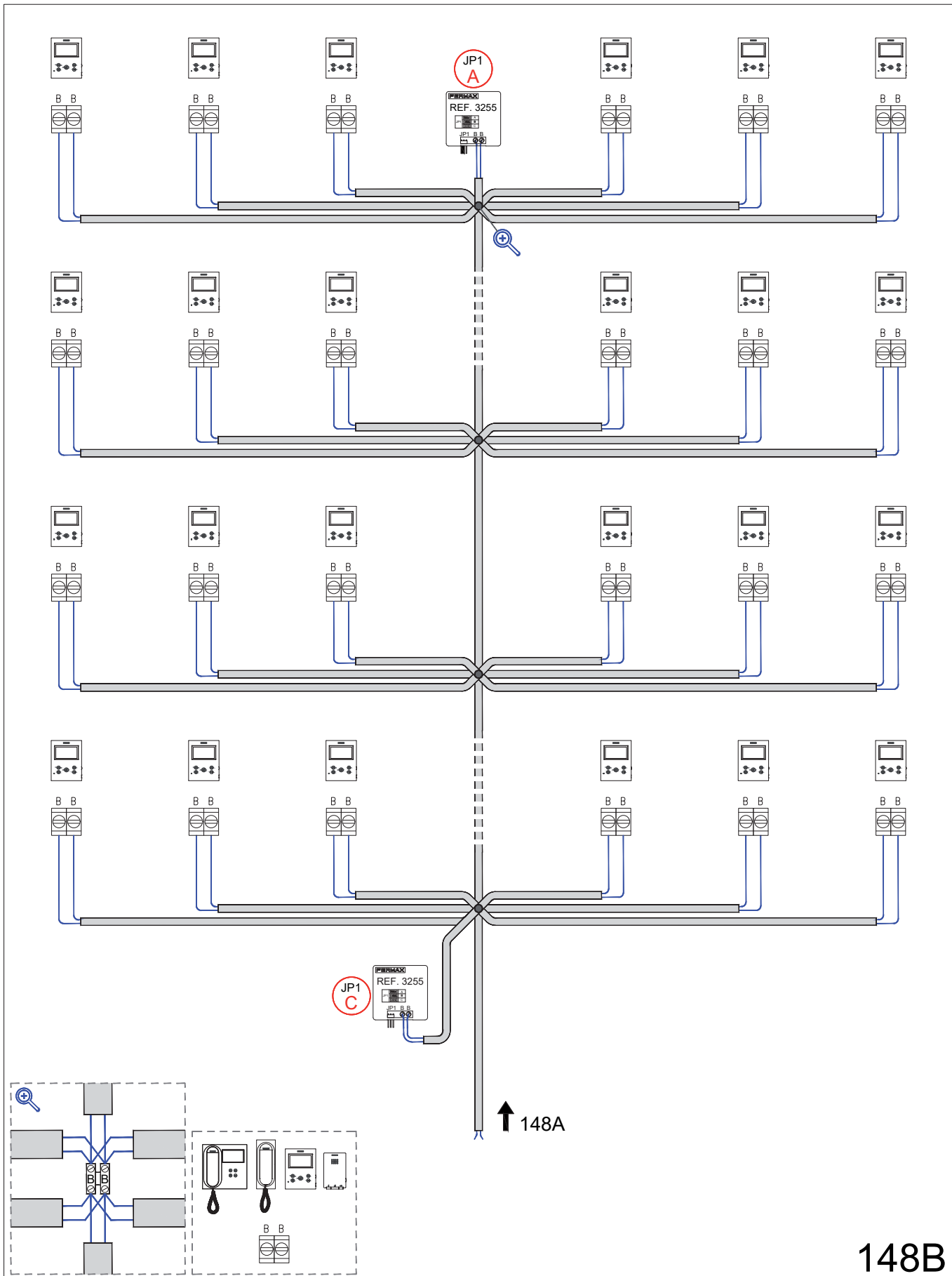
148A

1 video access with 1 riser.

Distribution 6 terminals per floor.

Distanced outdoor panel. Maximum distance of 250 metres.

148B - WIRING DIAGRAM. Connection detail: Floors (Terminals - Line adapters).



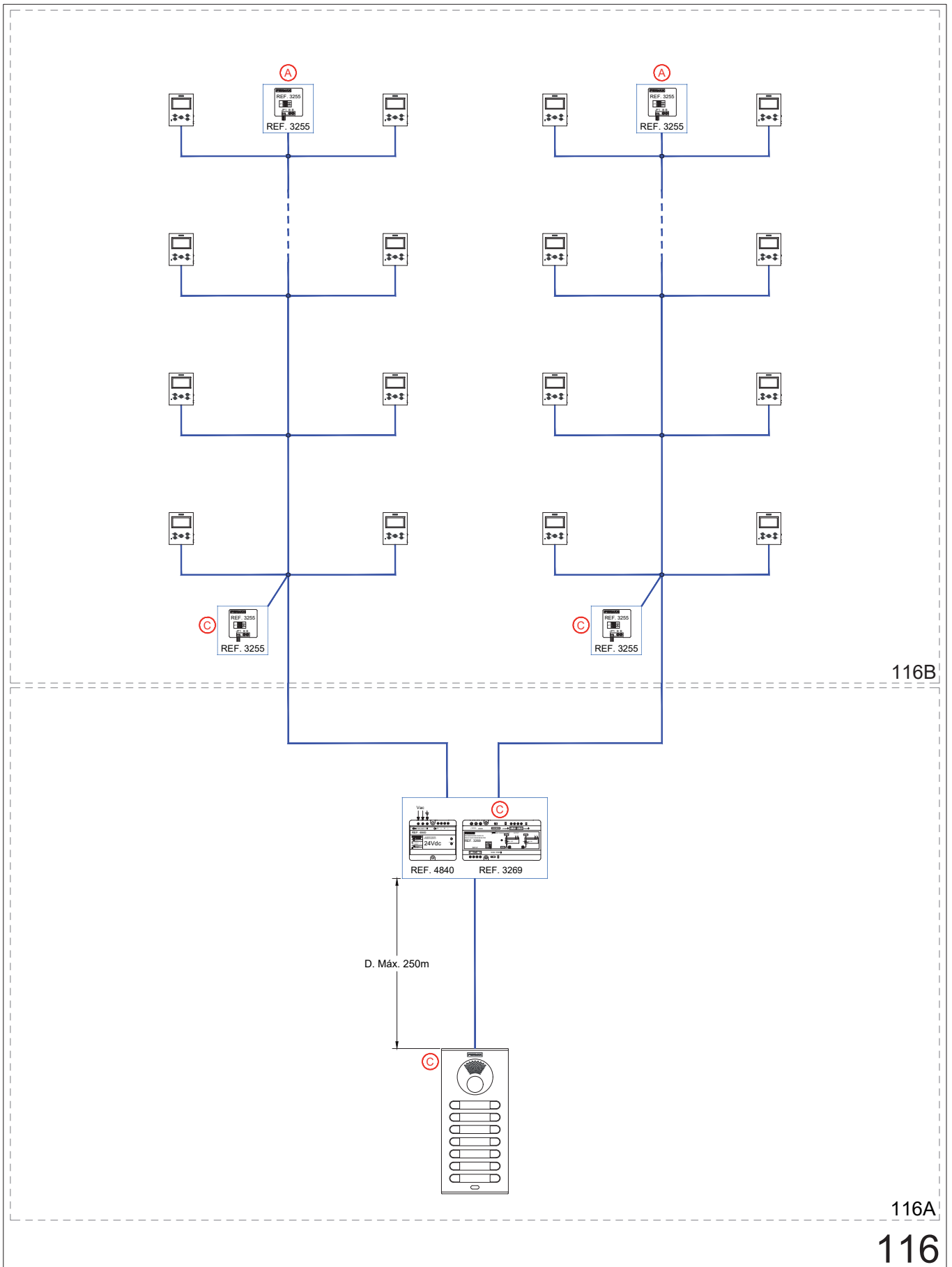
148B

1 video access with 2 risers.

Distribution 2 terminals per floor.

Distanced outdoor panel. Maximum distance of 250 metres.

116 - SINGLE-LINE DIAGRAM.

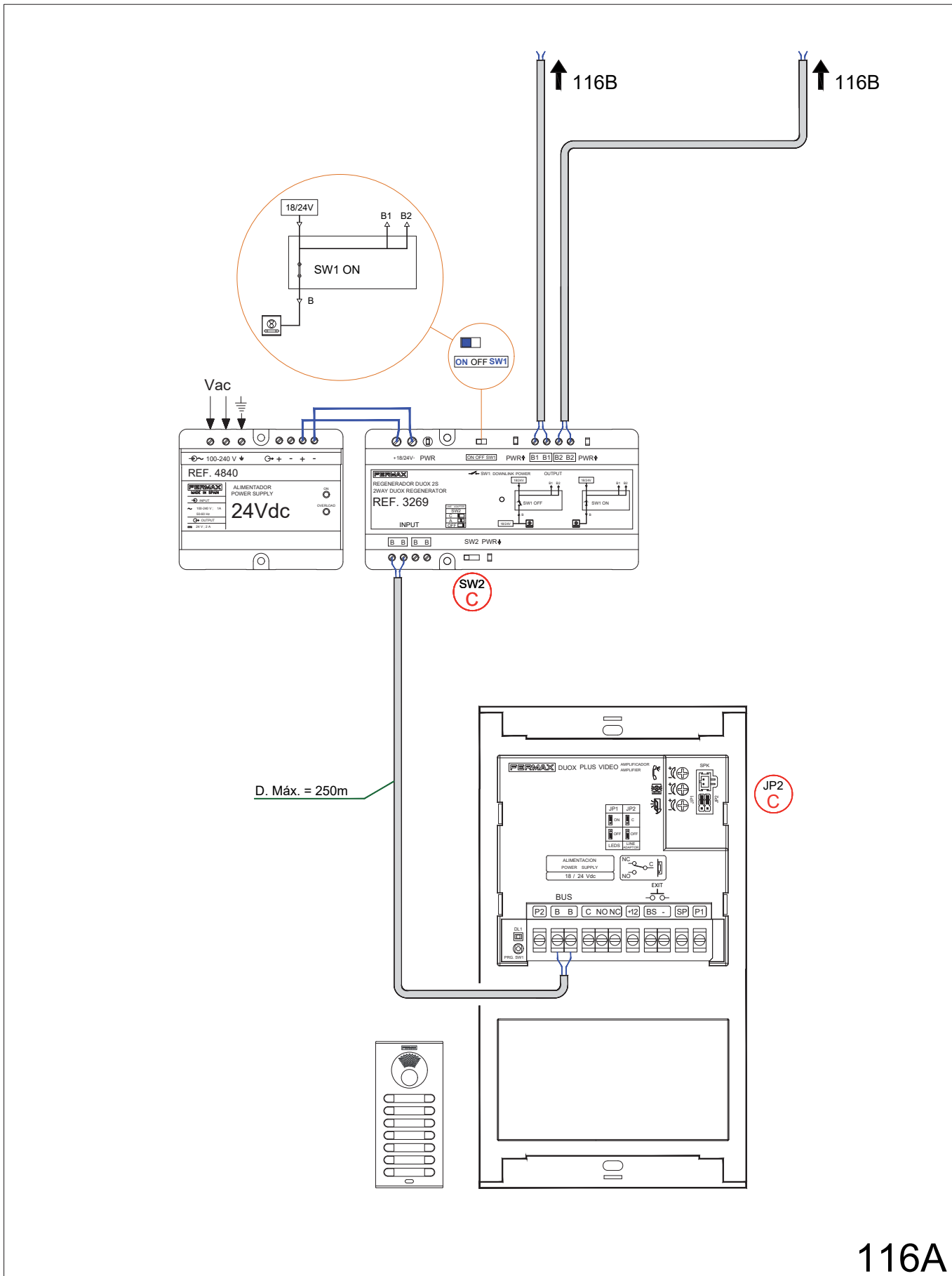


1 video access with 2 risers.

Distribution 2 terminals per floor.

Distanced outdoor panel. Maximum distance of 250 metres.

116A - WIRING DIAGRAM. Connection detail: Outdoor panel - 2S regenerator+Power supply - Line adapter.



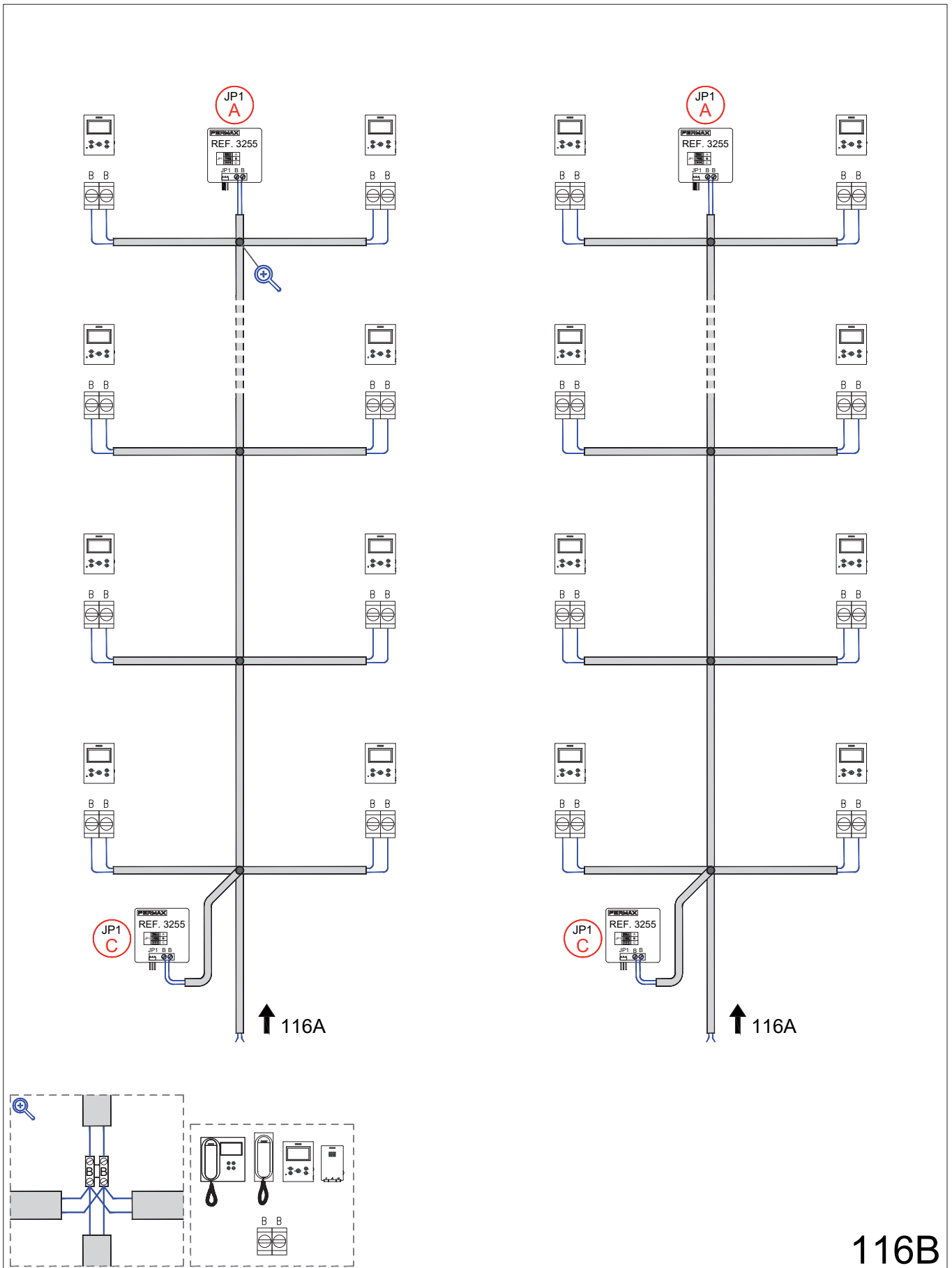
116A

1 video access with 2 risers.

Distribution 2 terminals per floor.

Distanced outdoor panel. Maximum distance of 250 metres.

116B - WIRING DIAGRAM. Connection detail: Floors (Terminals - Line adapters).



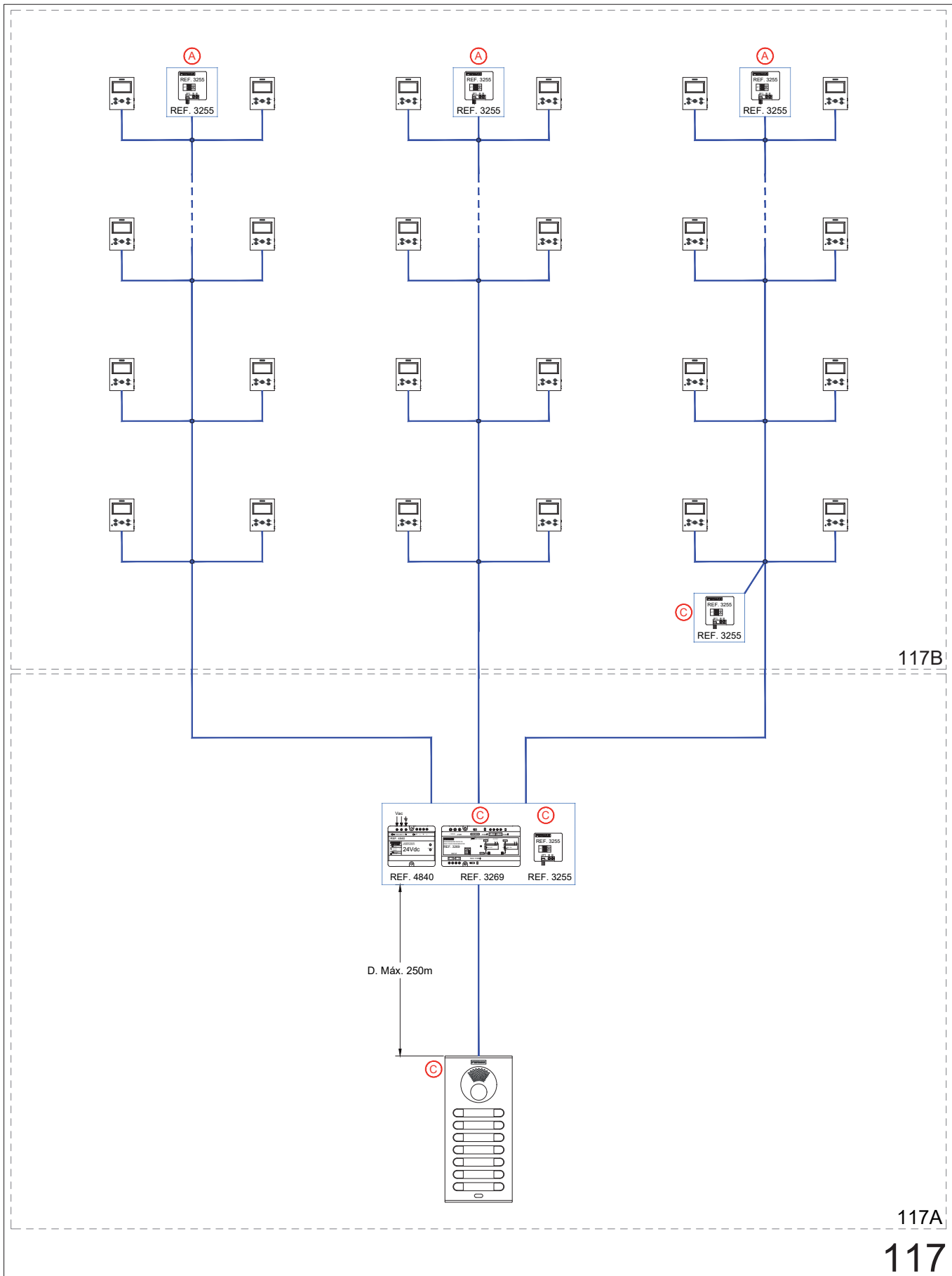
116B

1 video access with 3 risers.

Distribution 2 terminals per floor.

Distanced outdoor panel. Maximum distance of 250 metres.

117 - SINGLE-LINE DIAGRAM.

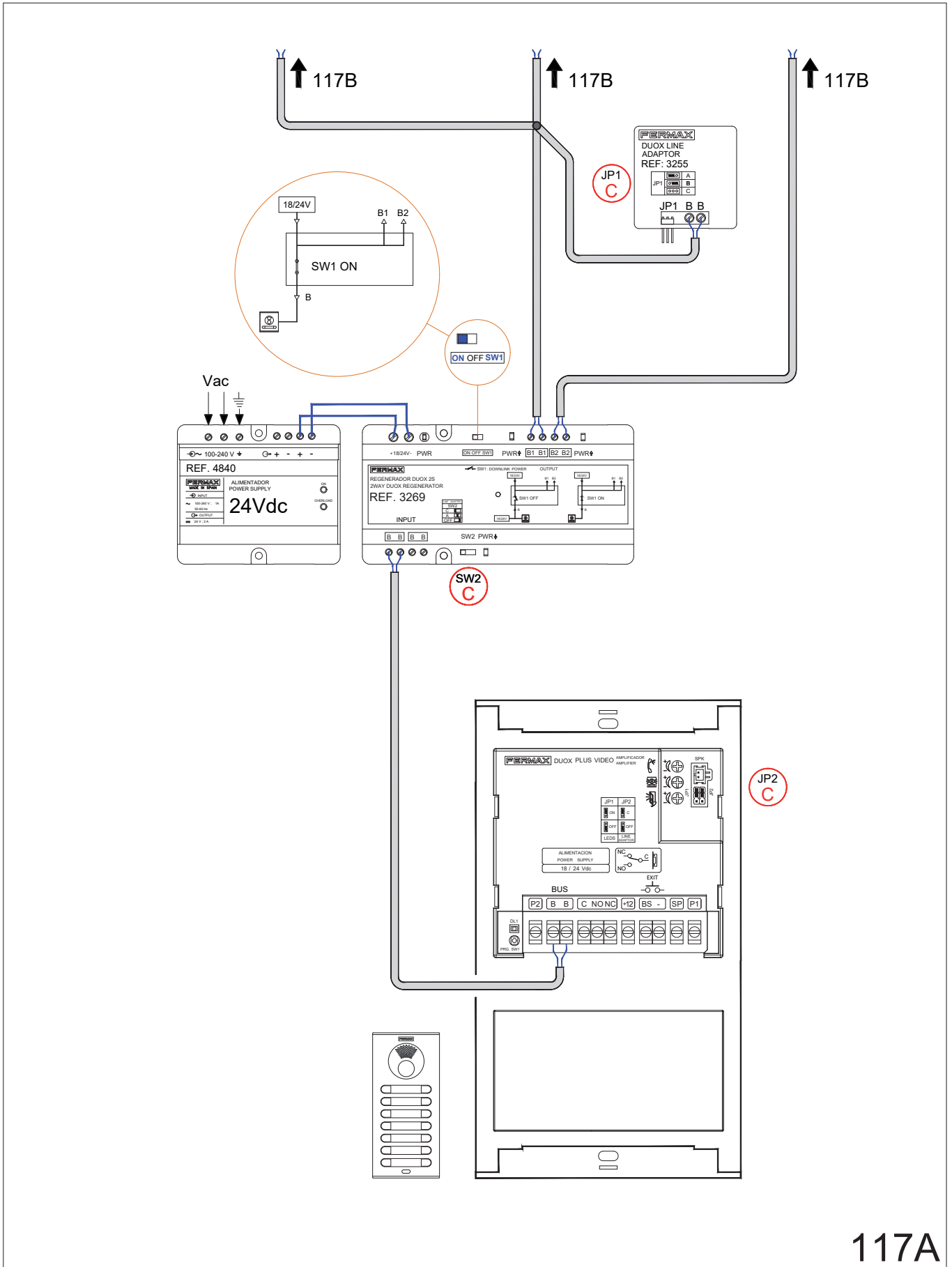


1 video access with 3 risers.

Distribution 2 terminals per floor.

Distanced outdoor panel. Maximum distance of 250 metres.

117A - WIRING DIAGRAM. Connection detail: Outdoor panel - 2S regenerator+Power supply - Line adapter.



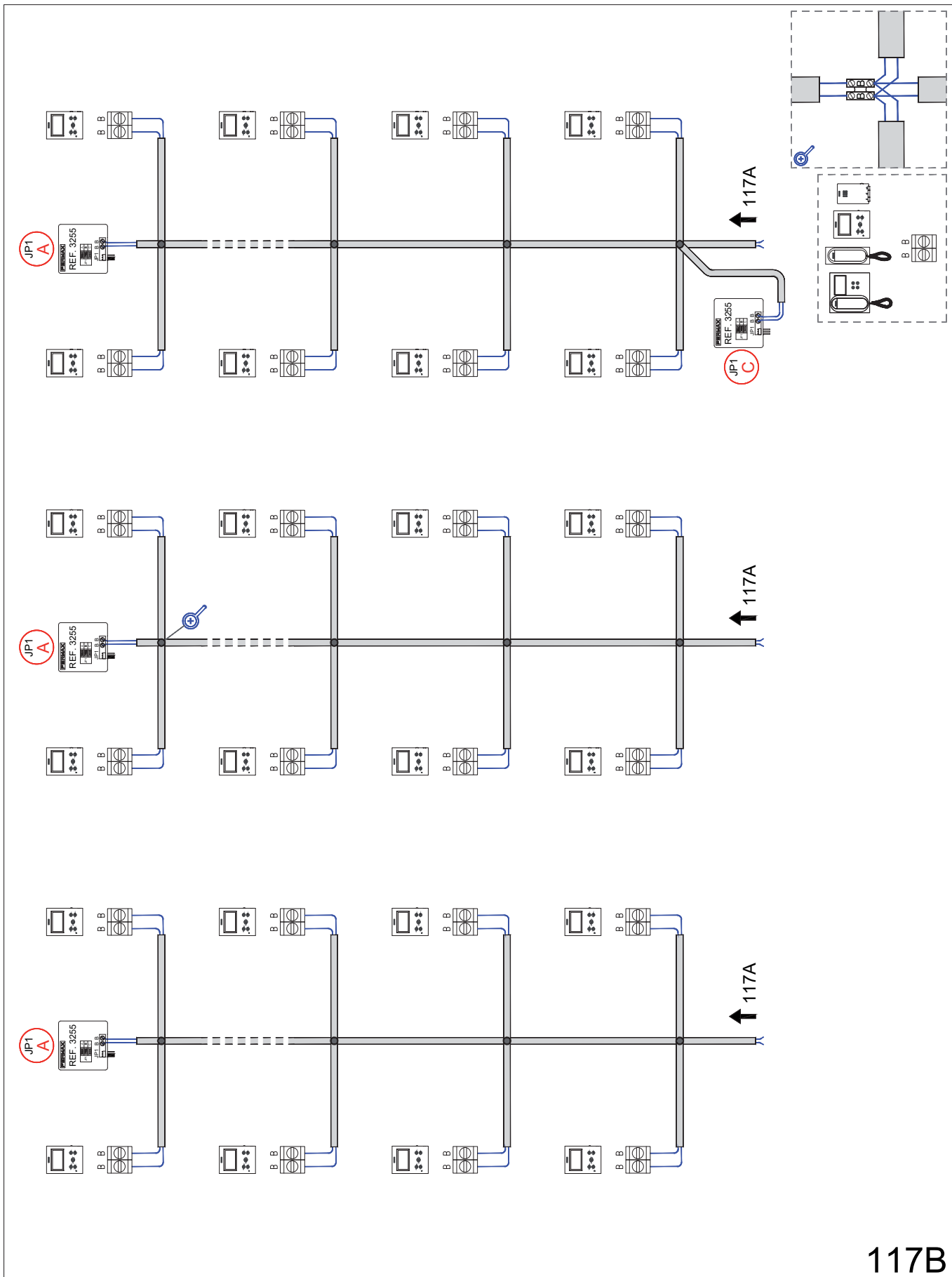
117A

1 video access with 3 risers.

Distribution 2 terminals per floor.

Distanced outdoor panel. Maximum distance of 250 metres.

117B - WIRING DIAGRAM. Connection detail: Floors (Terminals - Line adapters).



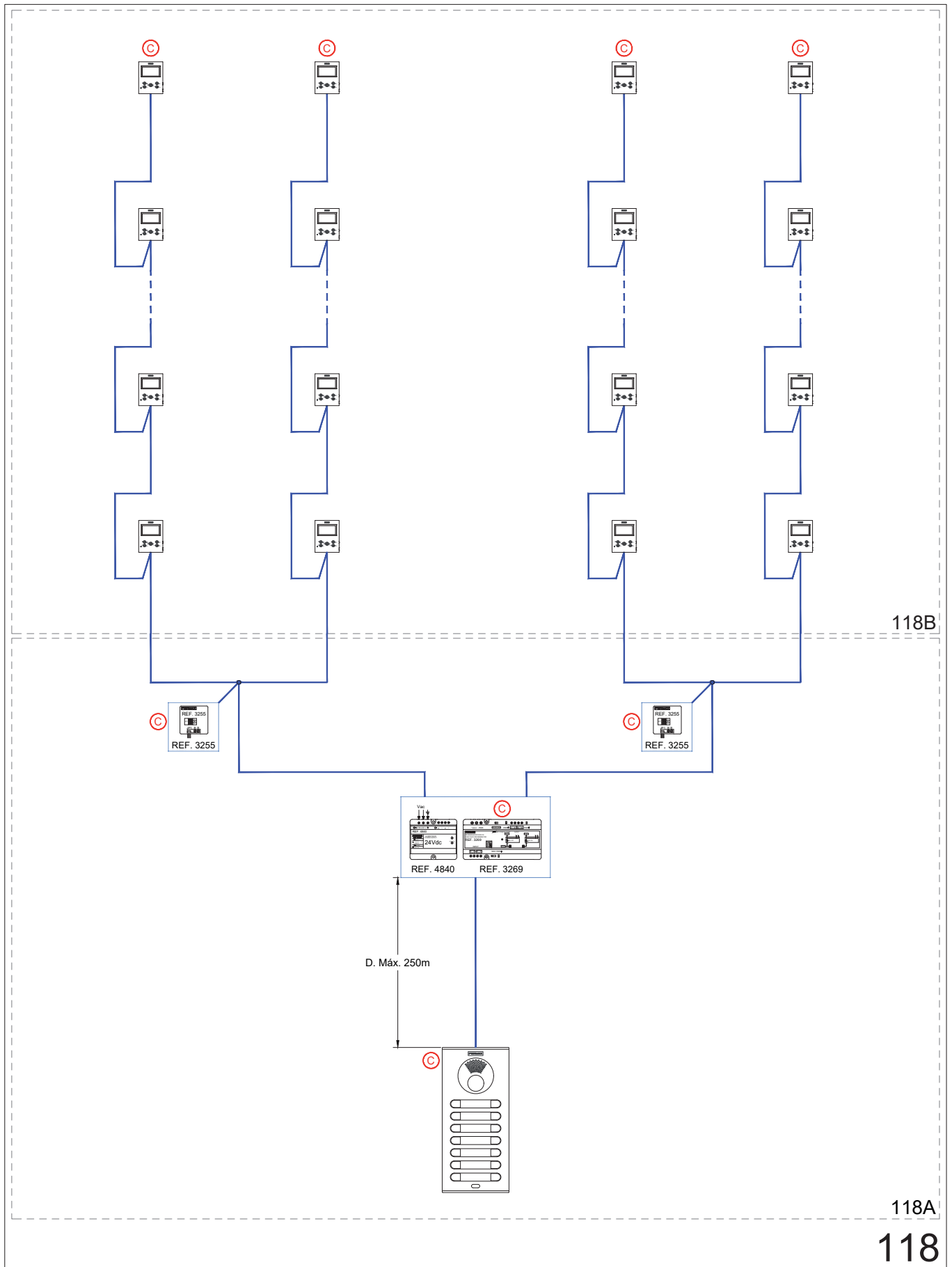
117B

1 video access with 4 risers.

Cascade.

Distanced outdoor panel. Maximum distance of 250 metres.

118 - SINGLE-LINE DIAGRAM.

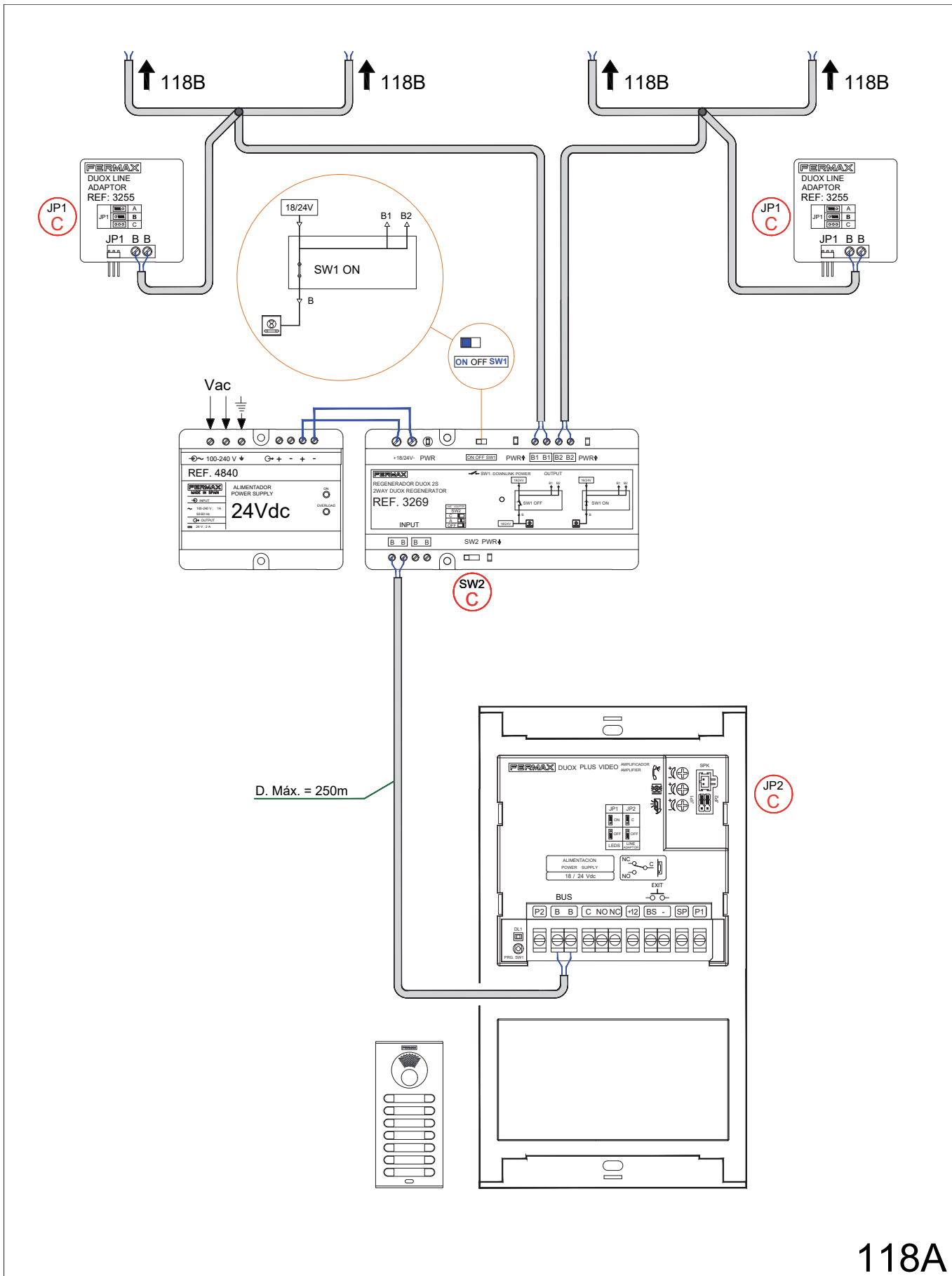


1 video access with 4 risers.

Cascade.

Distanced outdoor panel. Maximum distance of 250 metres.

118A - WIRING DIAGRAM. Connection detail: Outdoor panel - 2S regenerator+Power supply - Line adapter.



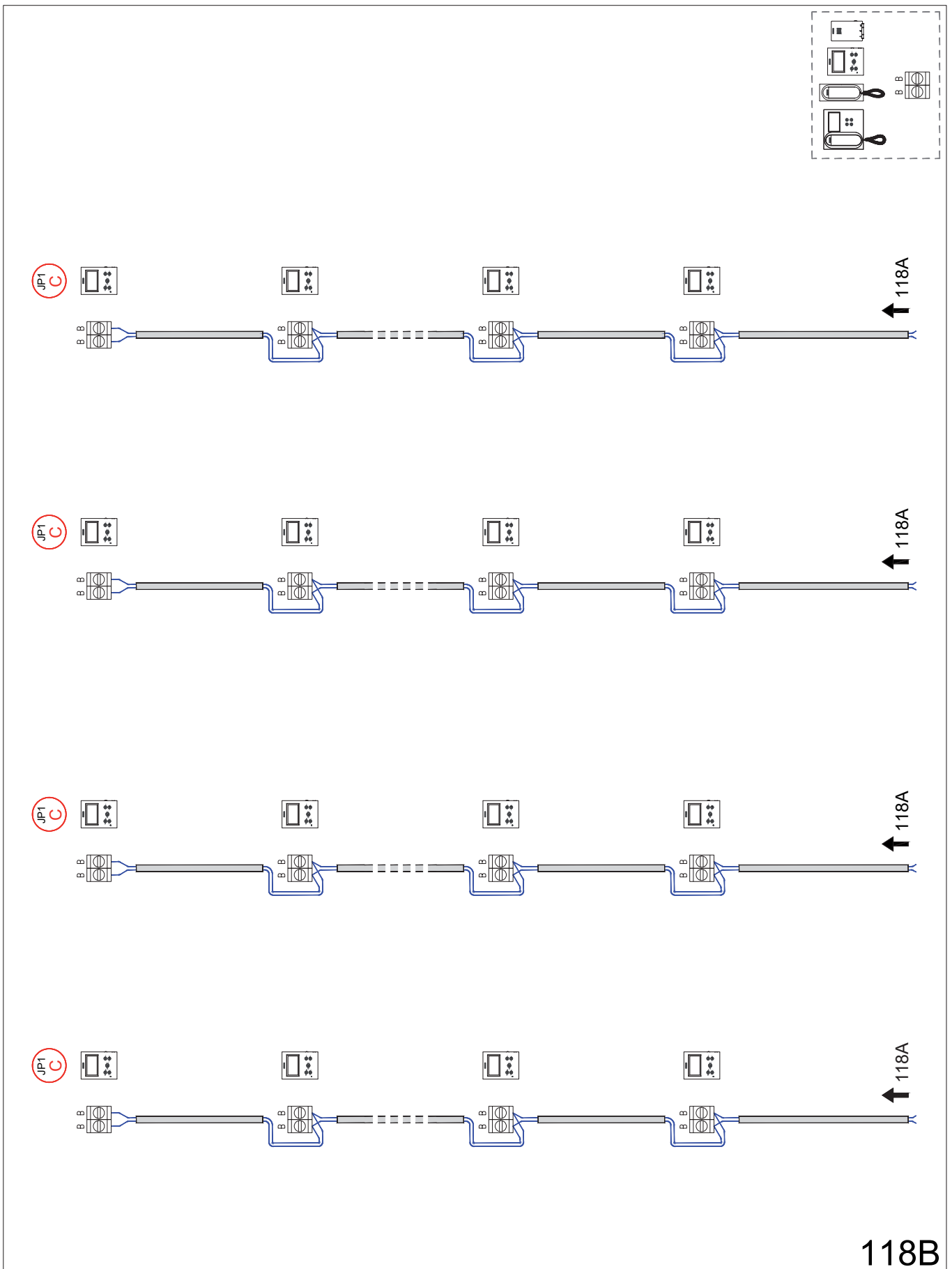
118A

1 video access with 4 risers.

Cascade.

Distanced outdoor panel. Maximum distance of 250 metres.

118B - WIRING DIAGRAM. Connection detail: Floors (Terminals).



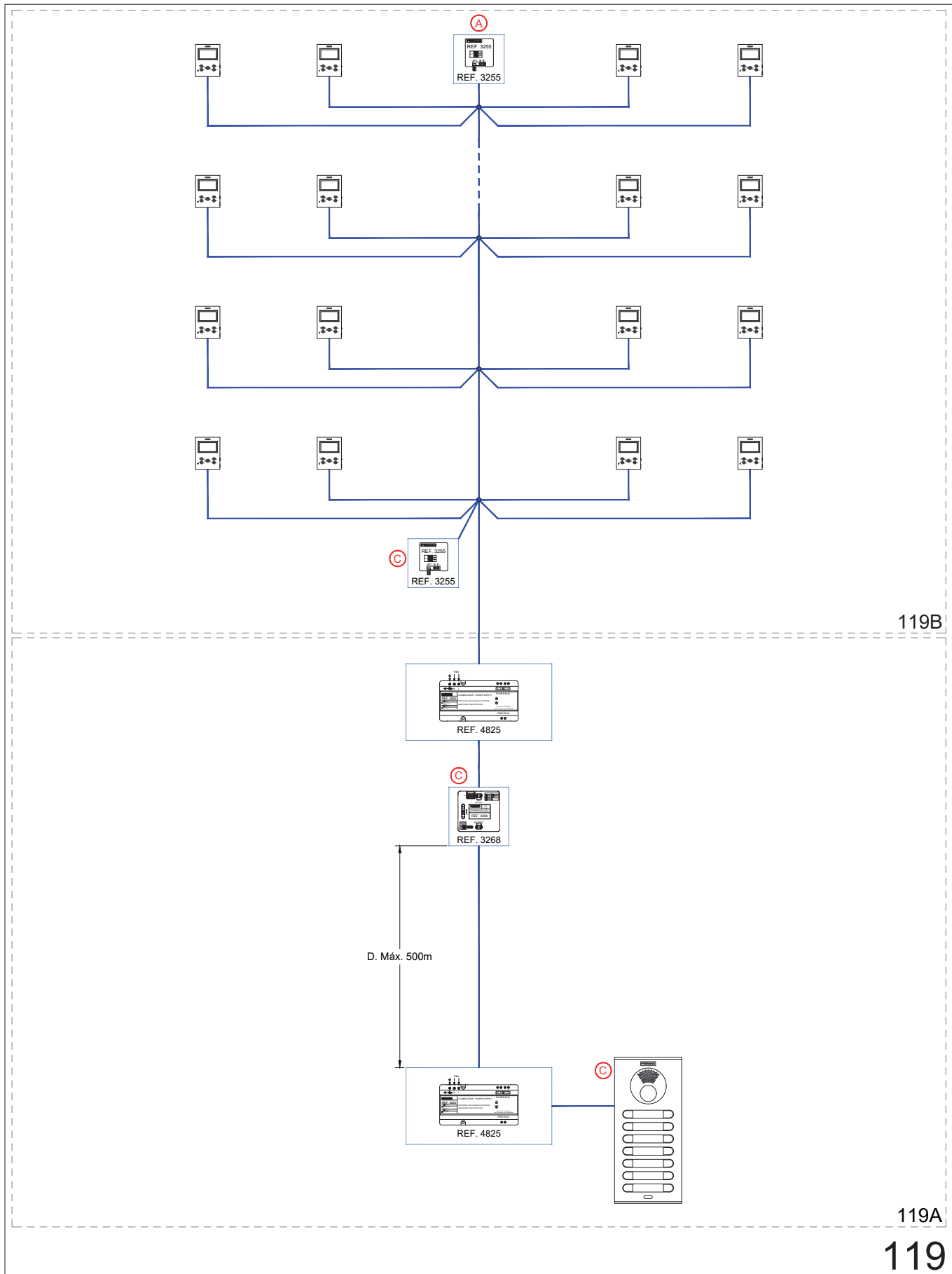
118B

1 video access with 1 riser.

Distribution 4 terminals per floor.

Extremely distanced outdoor panel. Located at a distance of approximately 500 metres.

119 - SINGLE-LINE DIAGRAM.

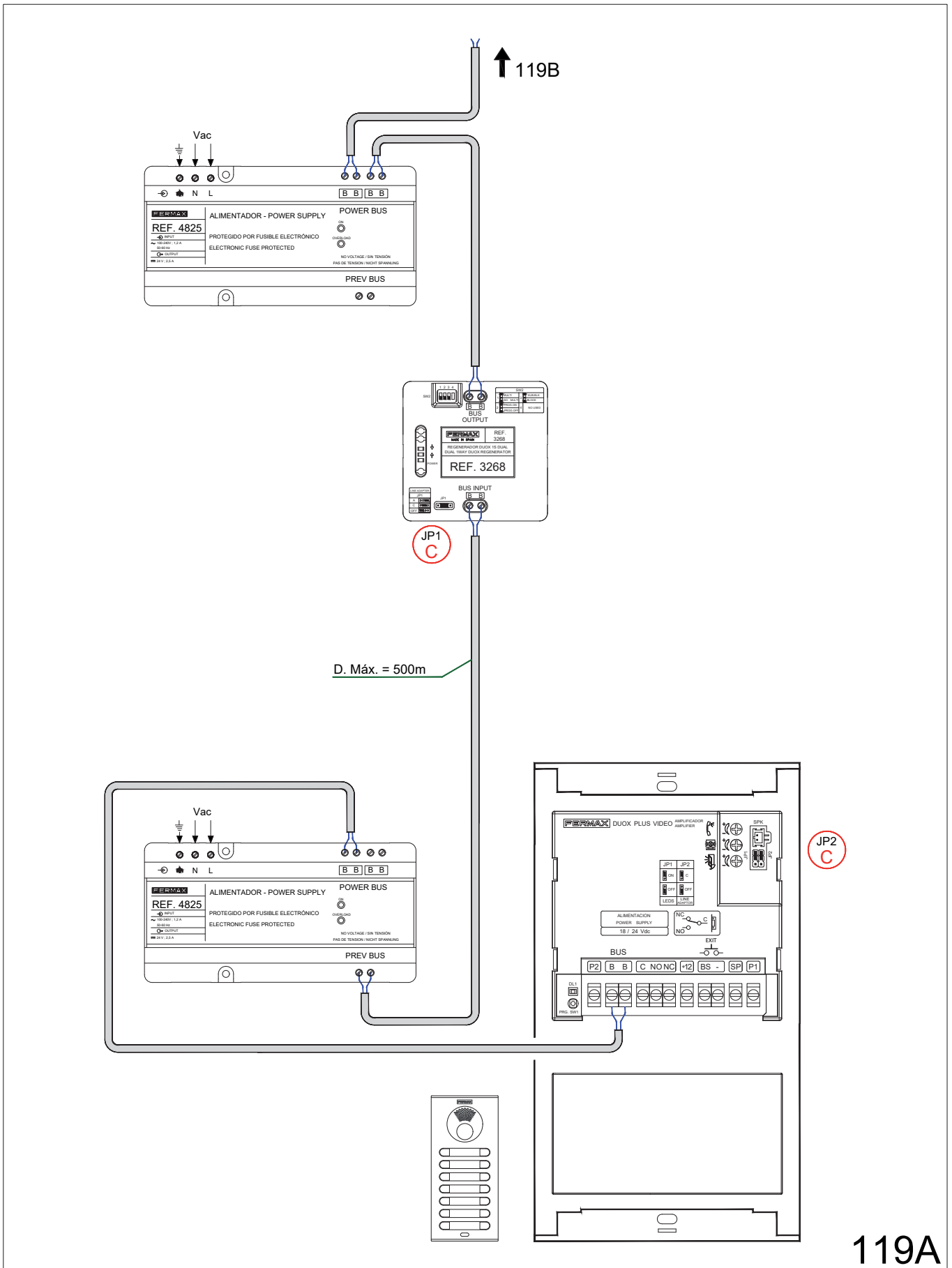


1 video access with 1 riser.

Distribution 4 terminals per floor.

Extremely distanced outdoor panel. Located at a distance of approximately 500 metres.

119A - WIRING DIAGRAM. Connection detail: Outdoor panel - 1S regenerator - Power supply sets.



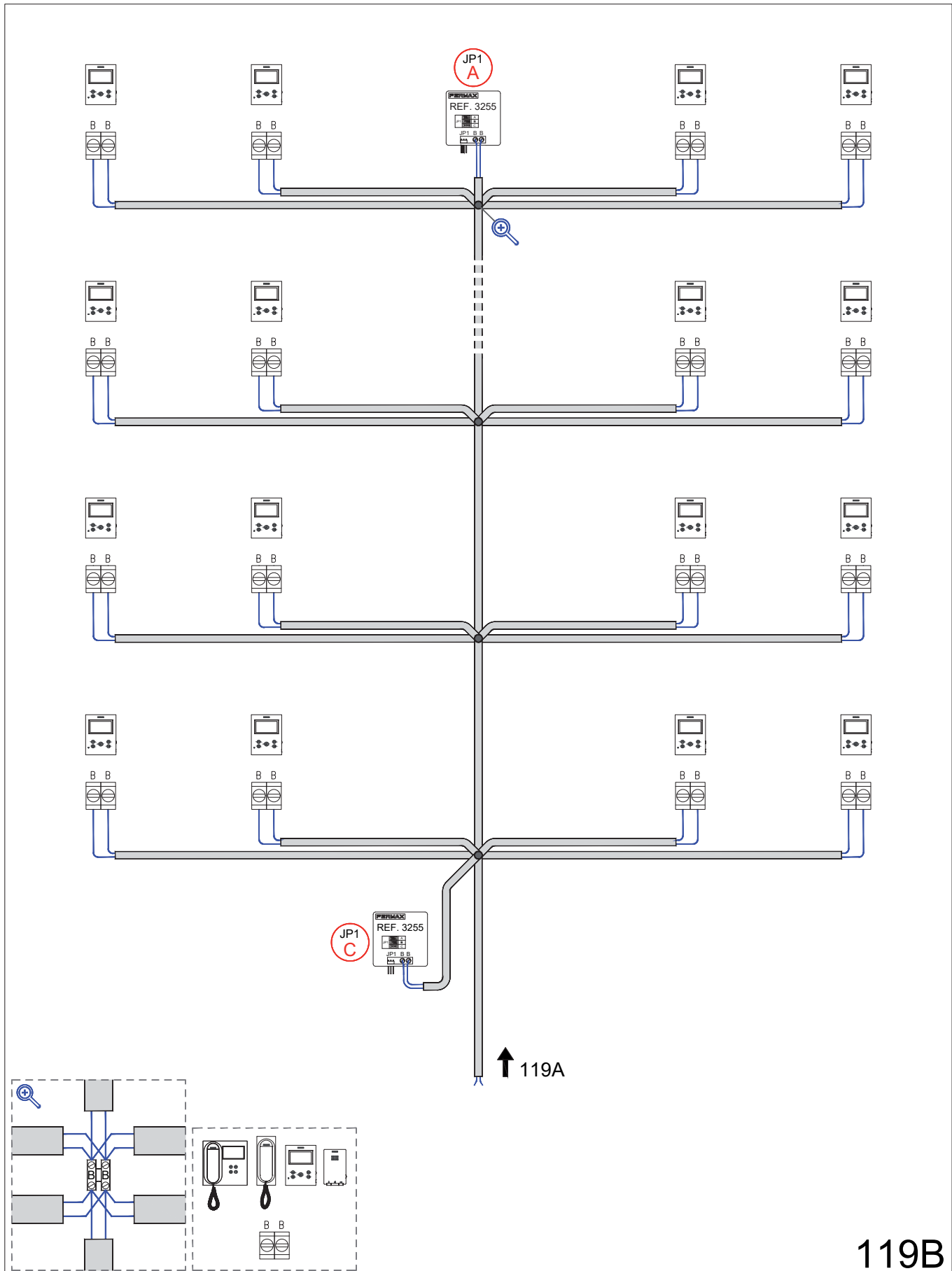
119A

1 video access with 1 riser.

Distribution 4 terminals per floor.

Extremely distanced outdoor panel. Located at a distance of approximately 500 metres.

119B - WIRING DIAGRAM. Connection detail: Floors (Terminals - Line adapters).



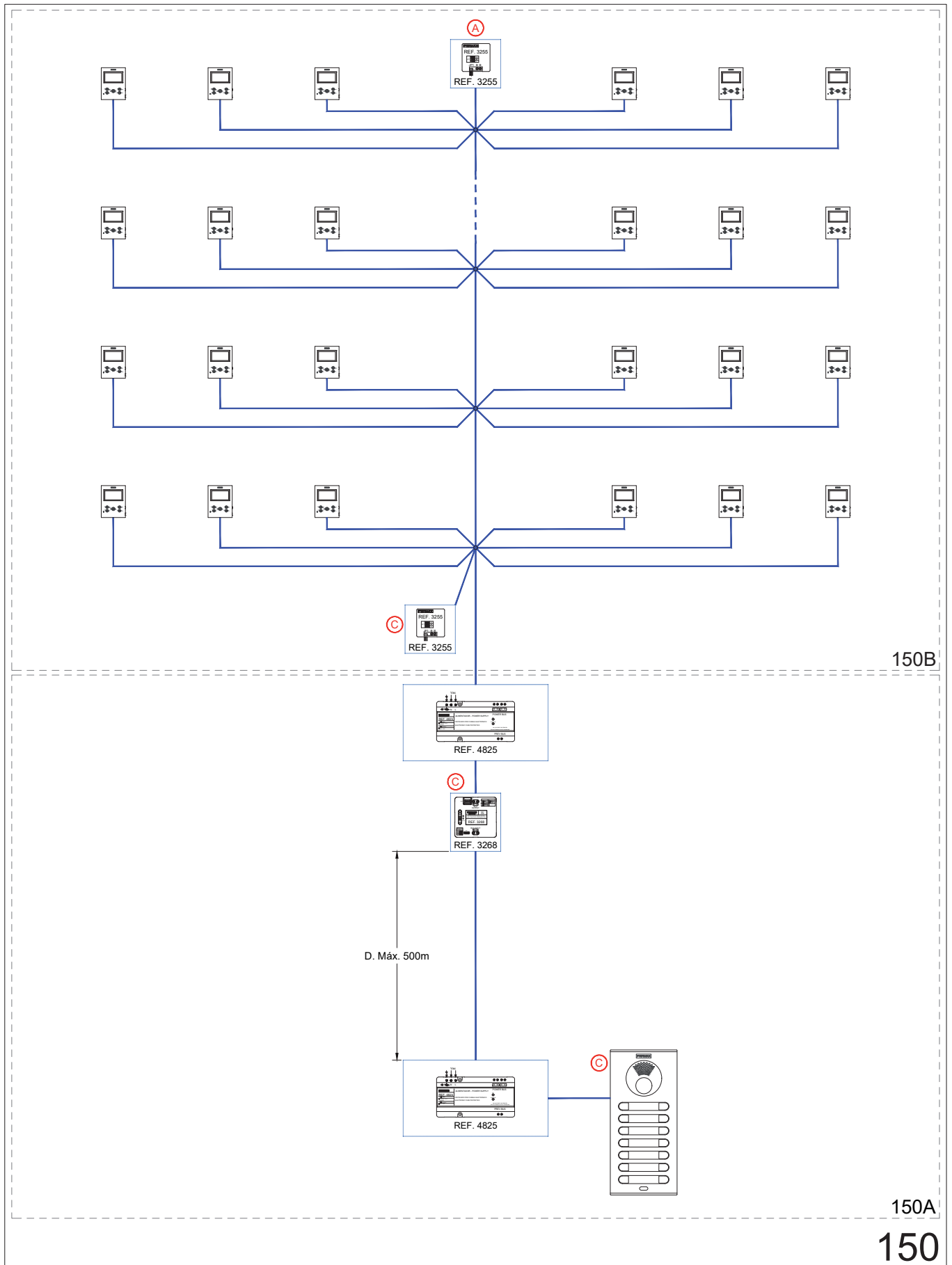
119B

1 video access with 1 riser.

Distribution 6 terminals per floor.

Extremely distanced outdoor panel. Located at a distance of approximately 500 metres.

150 - SINGLE-LINE DIAGRAM.

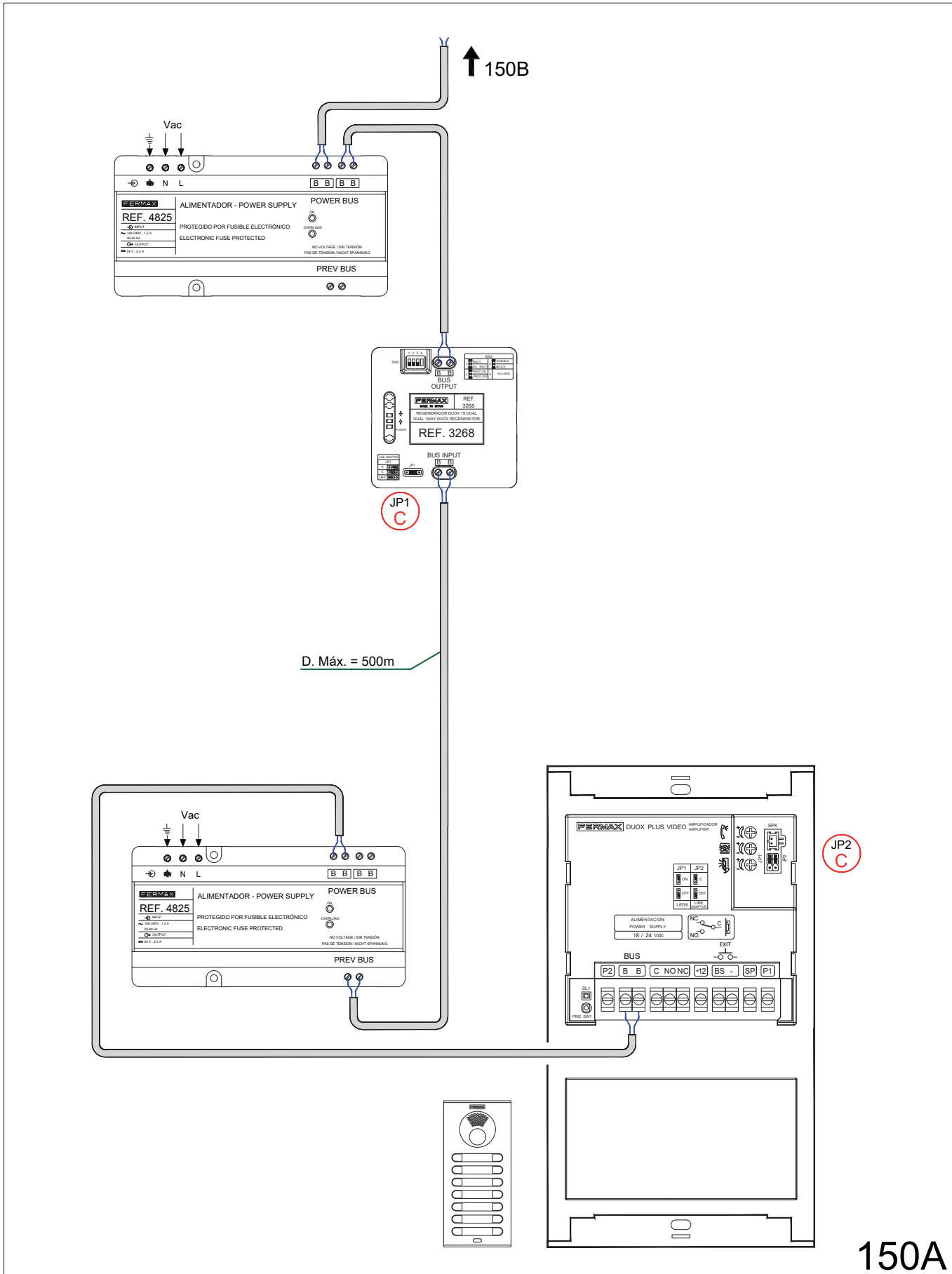


1 video access with 1 riser.

Distribution 6 terminals per floor.

Extremely distanced outdoor panel. Located at a distance of approximately 500 metres.

150A - WIRING DIAGRAM. Connection detail: Outdoor panel - 1S regenerator - Power supply sets.



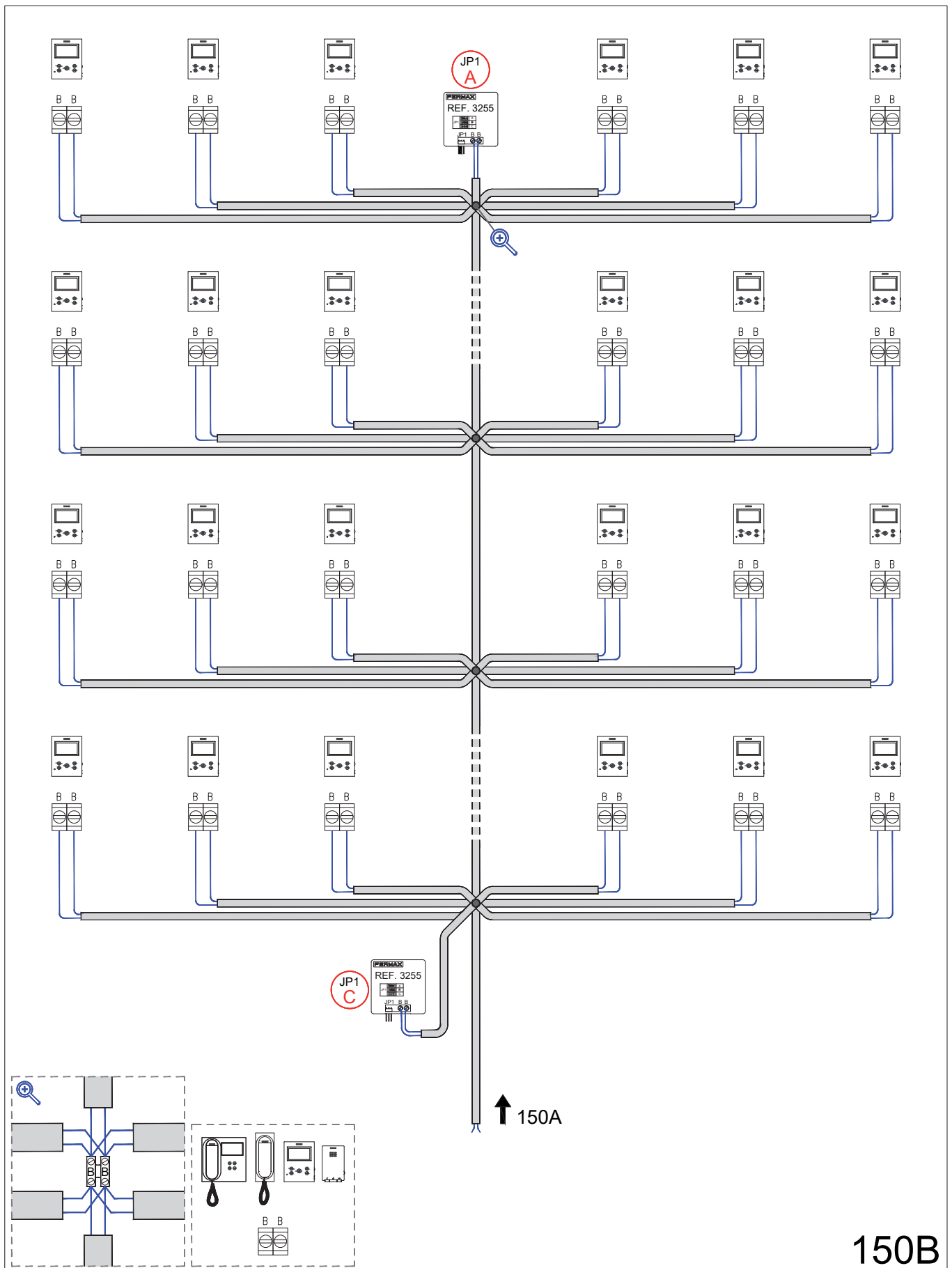
150A

1 video access with 1 riser.

Distribution 6 terminals per floor.

Extremely distanced outdoor panel. Located at a distance of approximately 500 metres.

150B - WIRING DIAGRAM. Connection detail: Floors (Terminals - Line adapters).



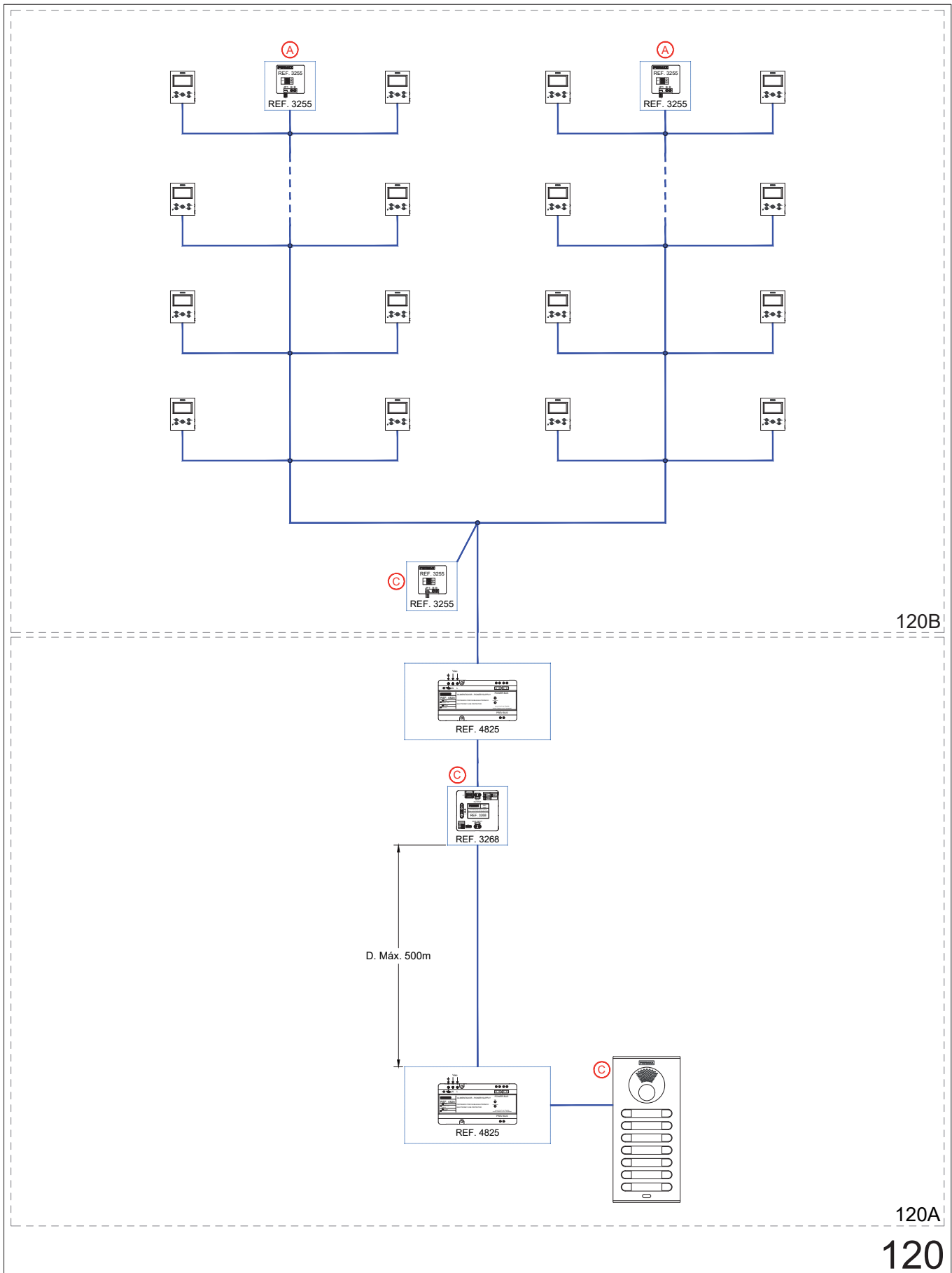
150B

1 video access with 2 risers.

Distribution 2 terminals per floor.

Extremely distanced outdoor panel. Located at a distance of approximately 500 metres.

120 - SINGLE-LINE DIAGRAM.

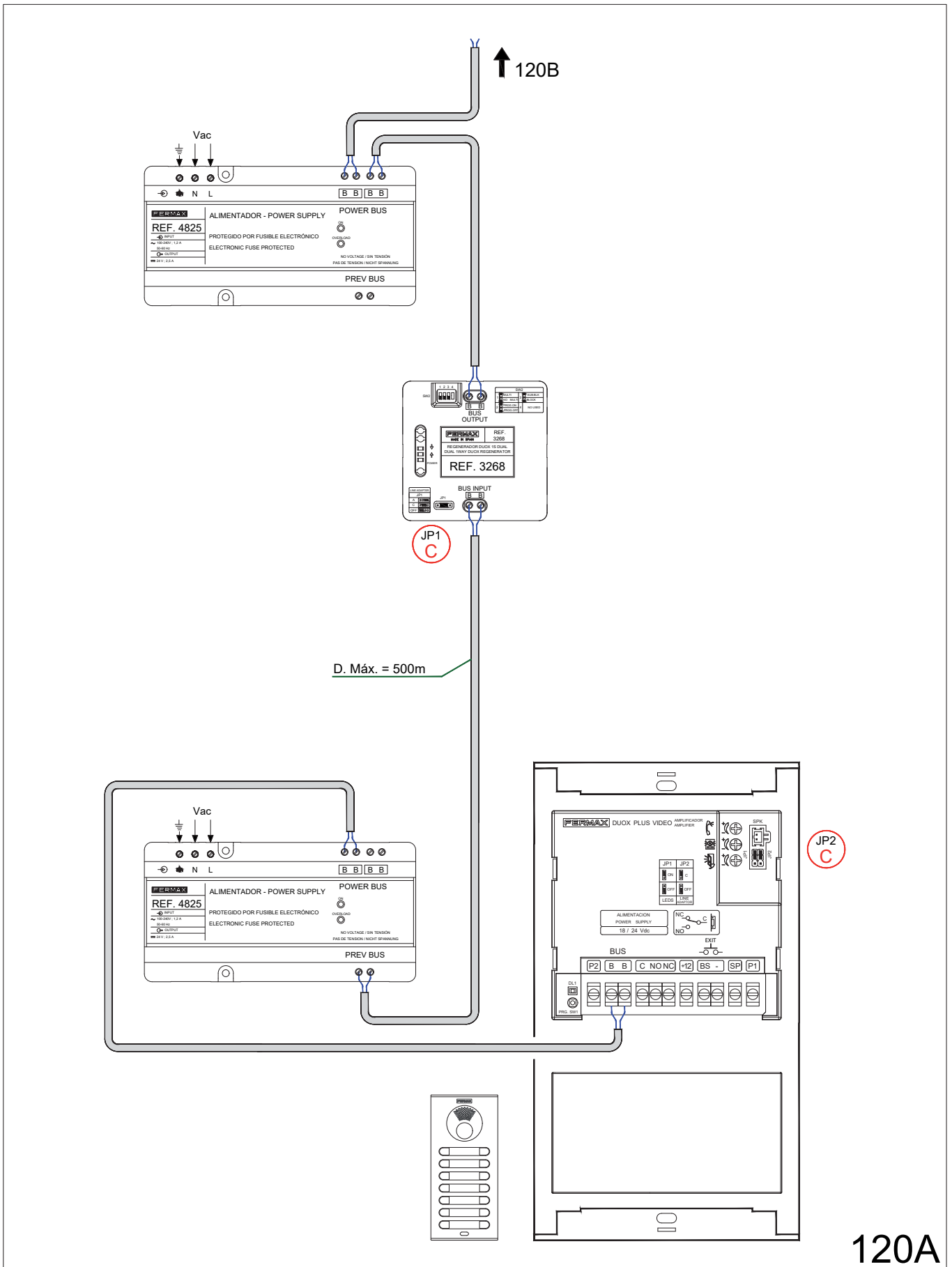


1 video access with 2 risers.

Distribution 2 terminals per floor.

Extremely distanced outdoor panel. Located at a distance of approximately 500 metres.

120A - WIRING DIAGRAM. Connection detail: Outdoor panel - 1S regenerator - Power supply sets.



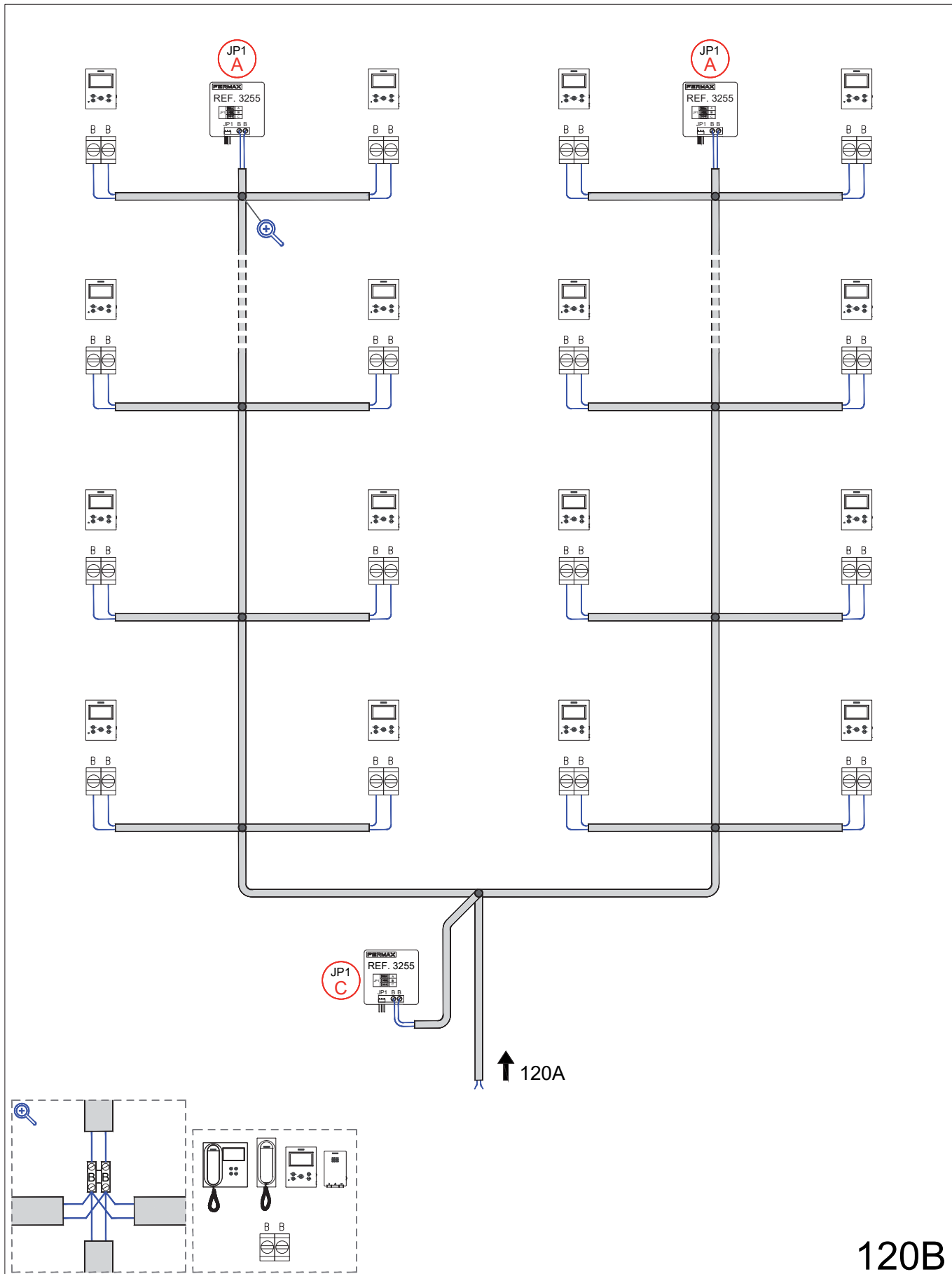
120A

1 video access with 2 risers.

Distribution 2 terminals per floor.

Extremely distanced outdoor panel. Located at a distance of approximately 500 metres.

120B - WIRING DIAGRAM. Connection detail: Floors (Terminals - Line adapters).



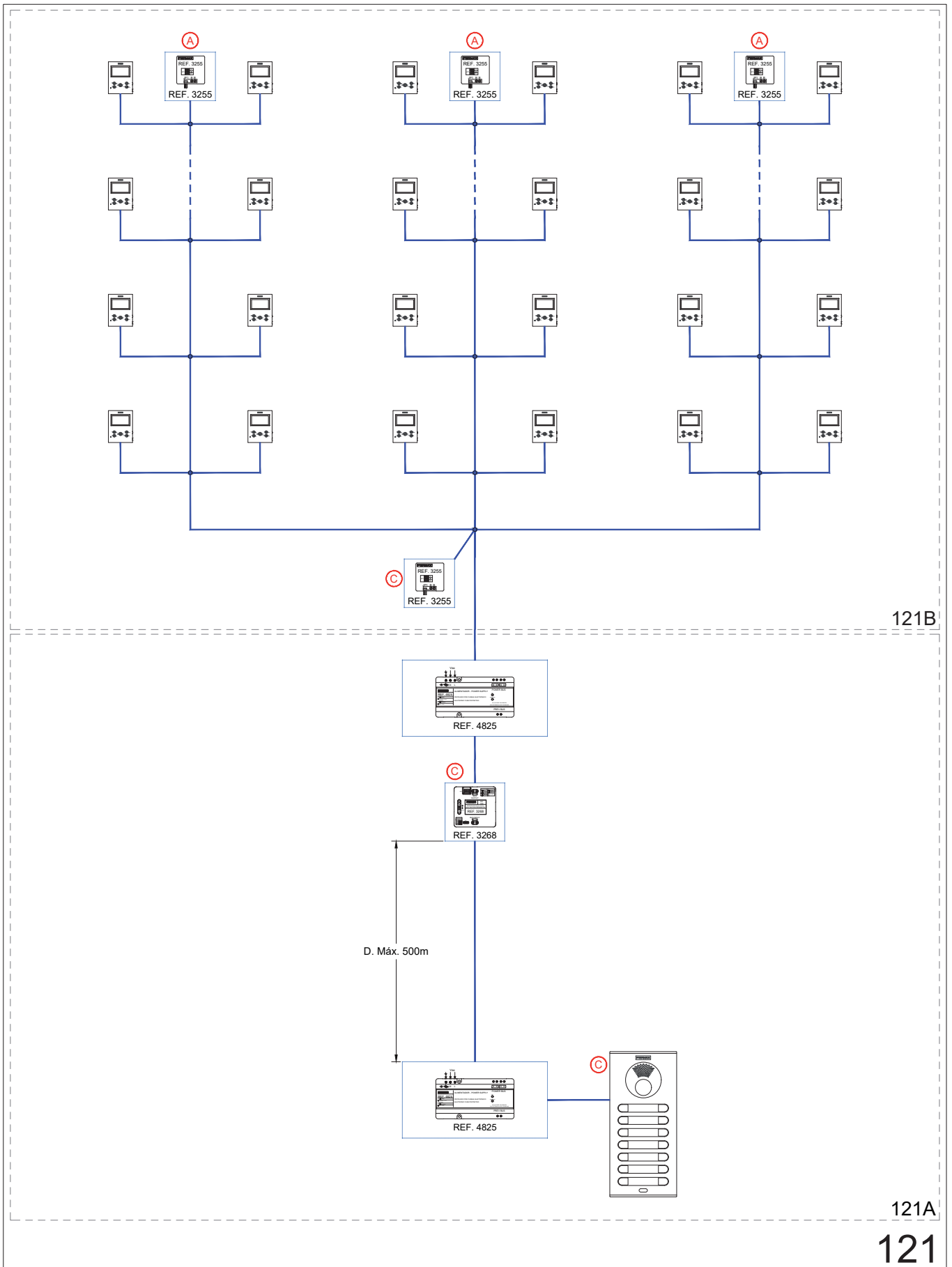
120B

1 video access with 3 risers.

Distribution 2 terminals per floor.

Extremely distanced outdoor panel. Located at a distance of approximately 500 metres.

121 - SINGLE-LINE DIAGRAM.

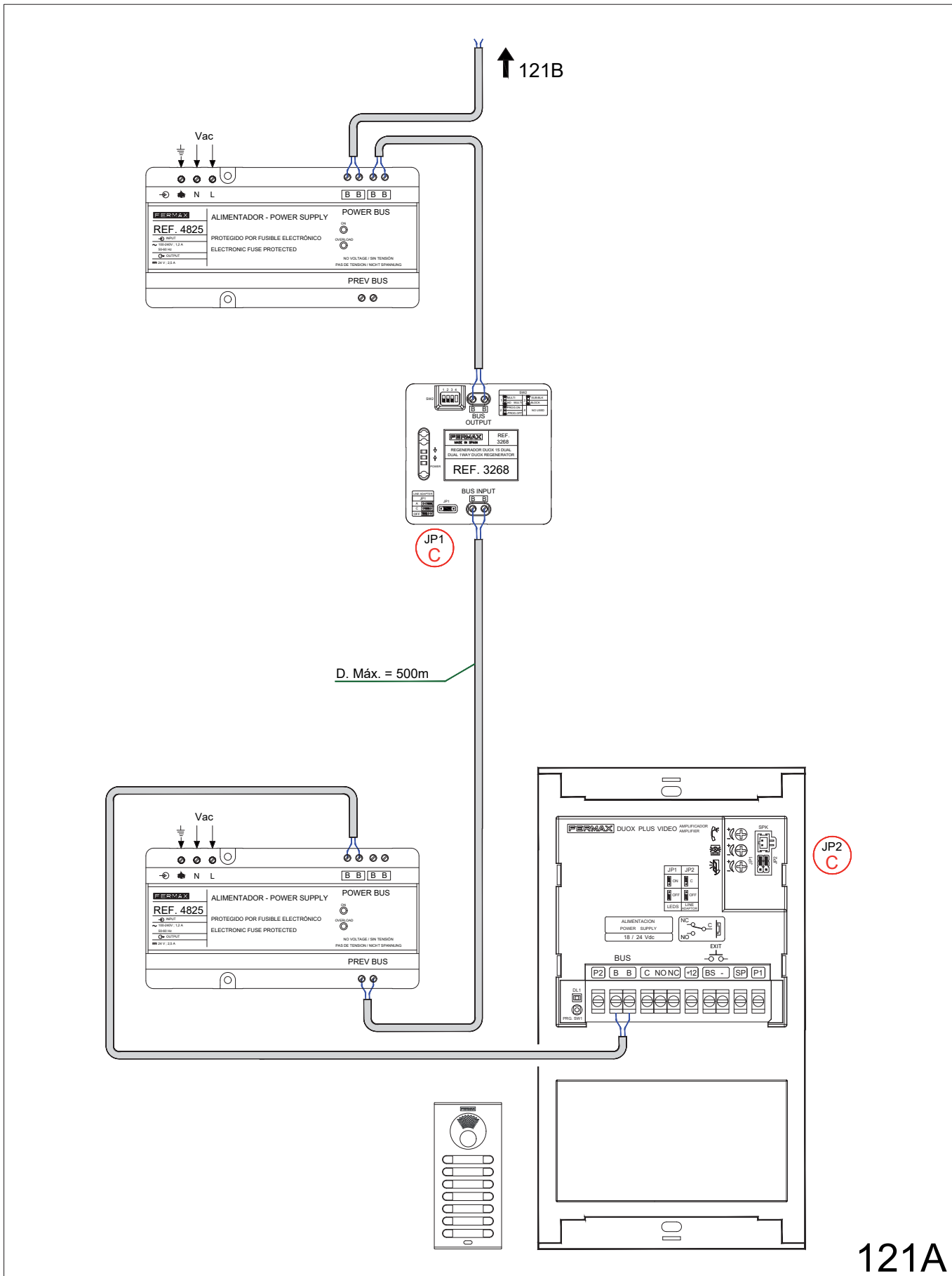


1 video access with 3 risers.

Distribution 2 terminals per floor.

Extremely distanced outdoor panel. Located at a distance of approximately 500 metres.

121A - WIRING DIAGRAM. Connection detail: Outdoor panel - 1S regenerator - Power supply sets.



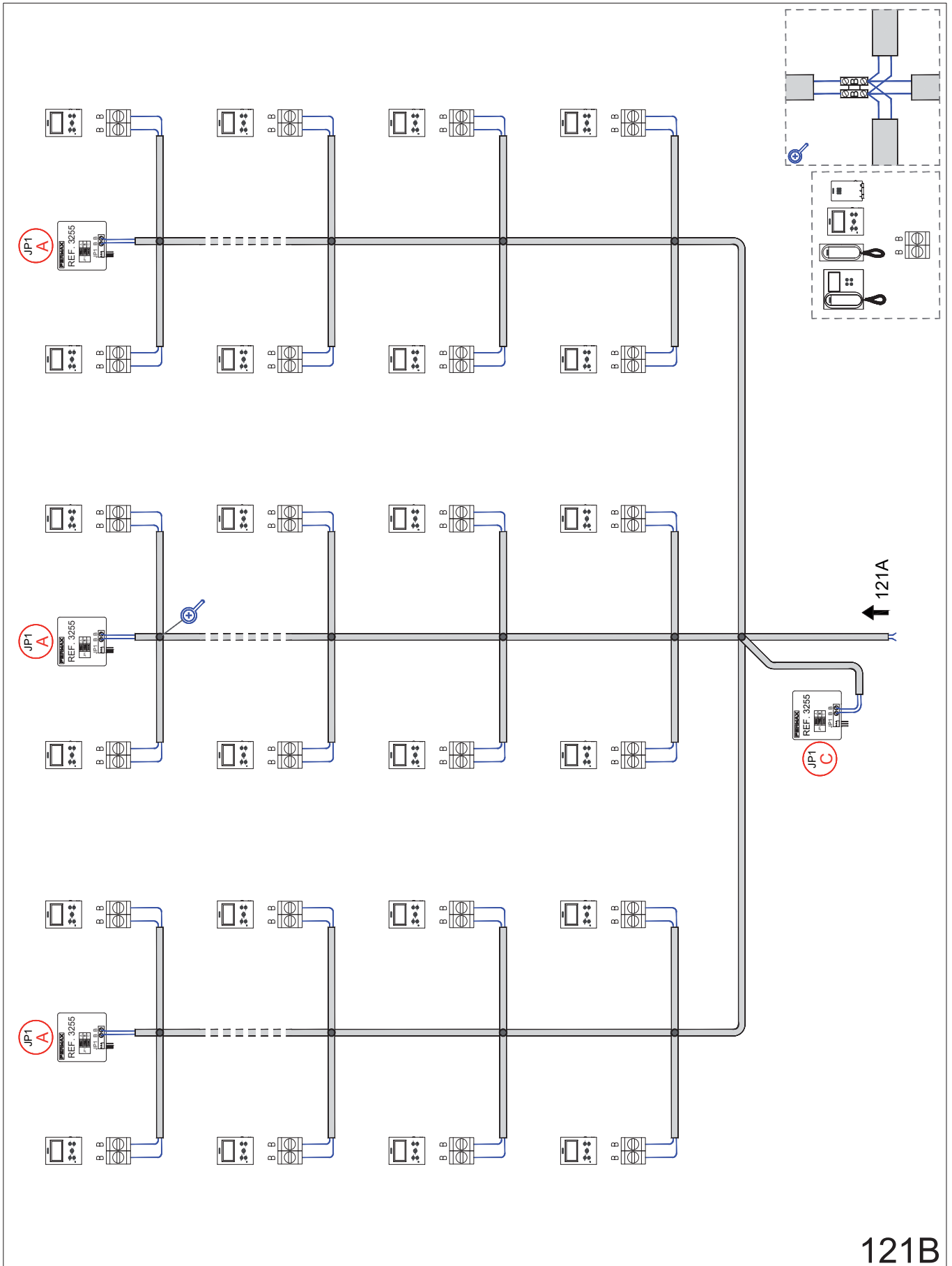
121A

1 video access with 3 risers.

Distribution 2 terminals per floor.

Extremely distanced outdoor panel. Located at a distance of approximately 500 metres.

121B - WIRING DIAGRAM. Connection detail: Floors (Terminals - Line adapters).



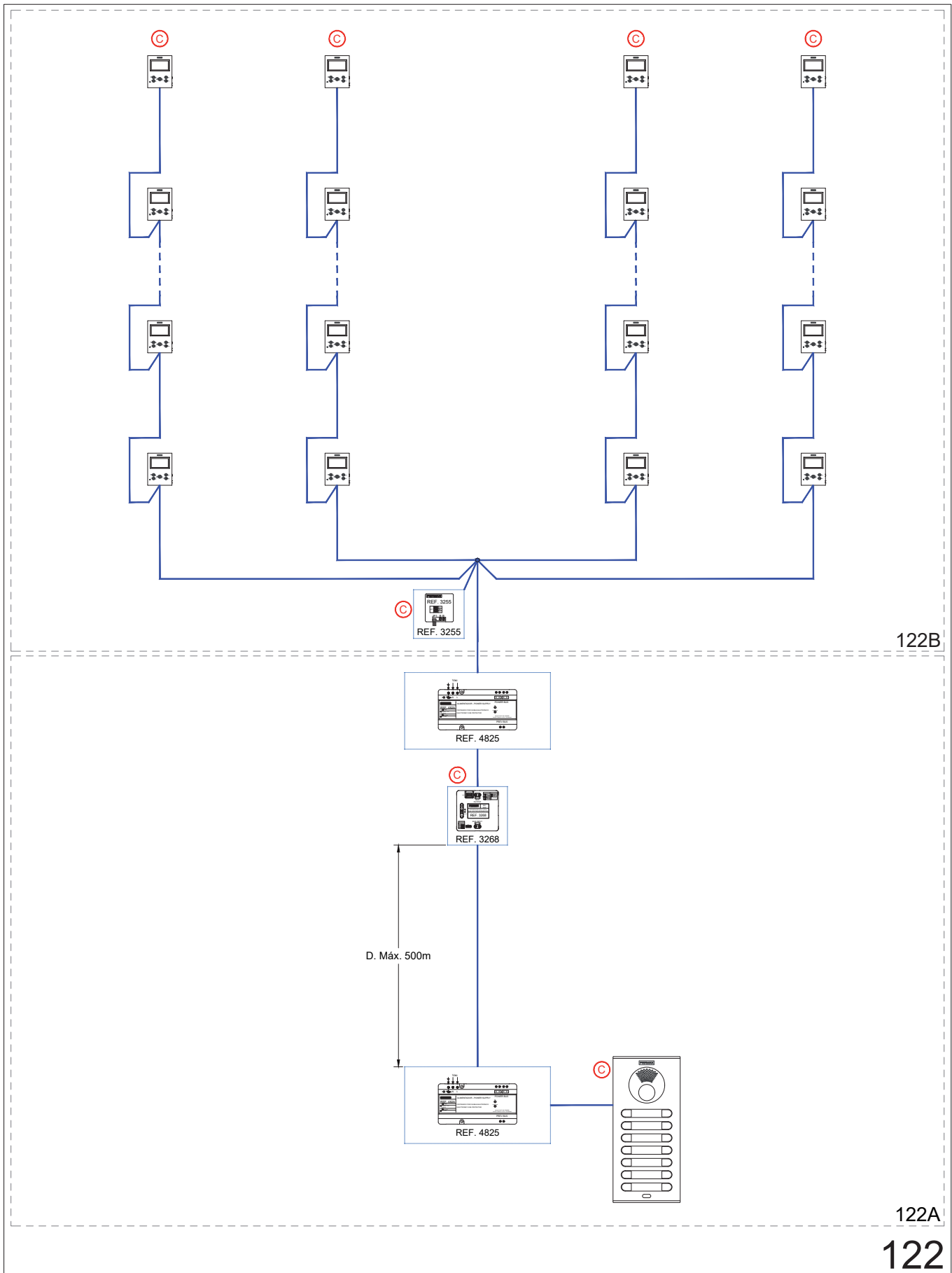
121B

1 video access with 4 risers.

Cascade.

Extremely distanced outdoor panel. Located at a distance of approximately 500 metres.

122 - SINGLE-LINE DIAGRAM.



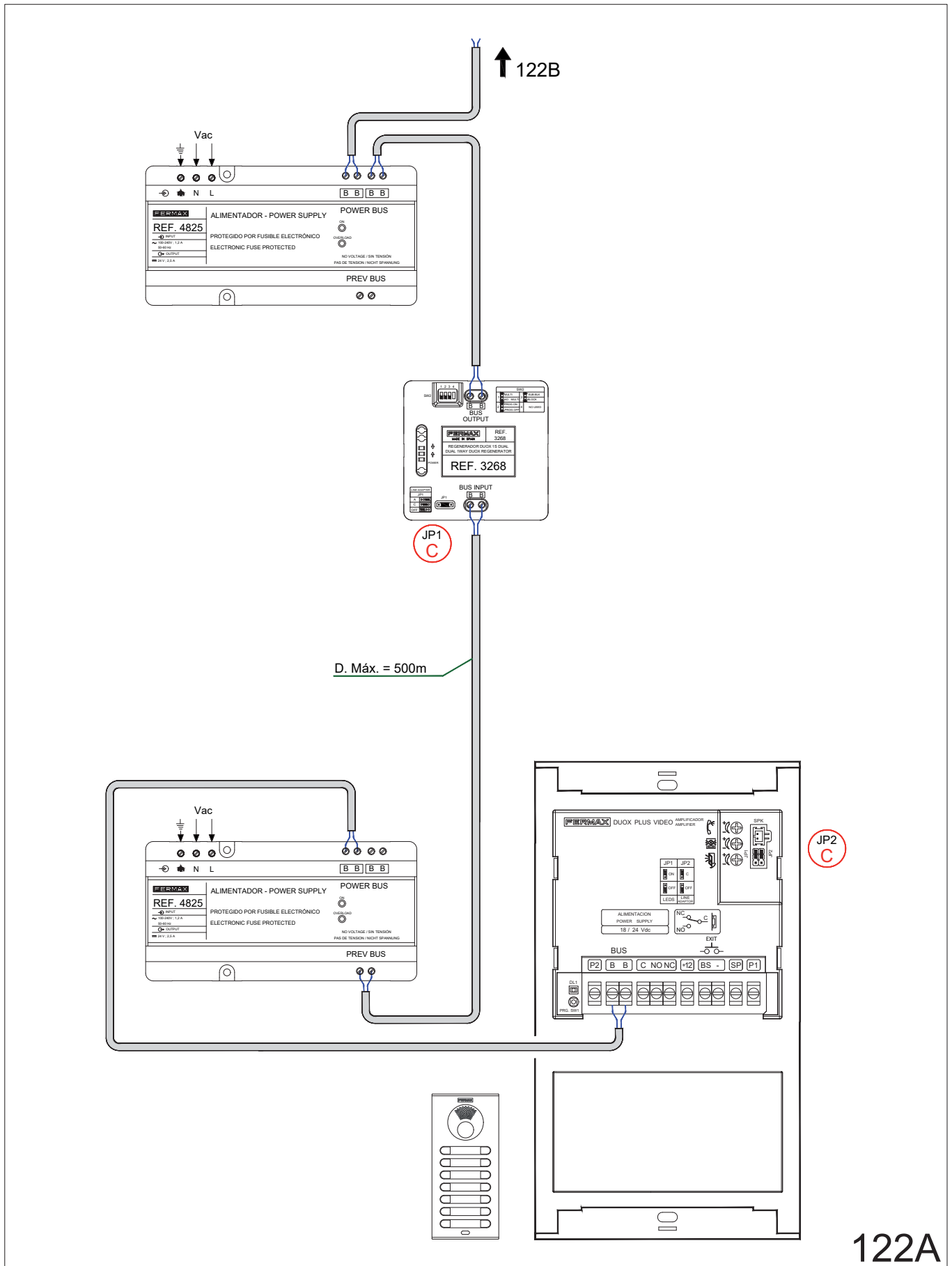
122A  
122

1 video access with 4 risers.

Cascade.

Extremely distanced outdoor panel. Located at a distance of approximately 500 metres.

122A - WIRING DIAGRAM. Connection detail: Outdoor panel - 1S regenerator - Power supply sets.



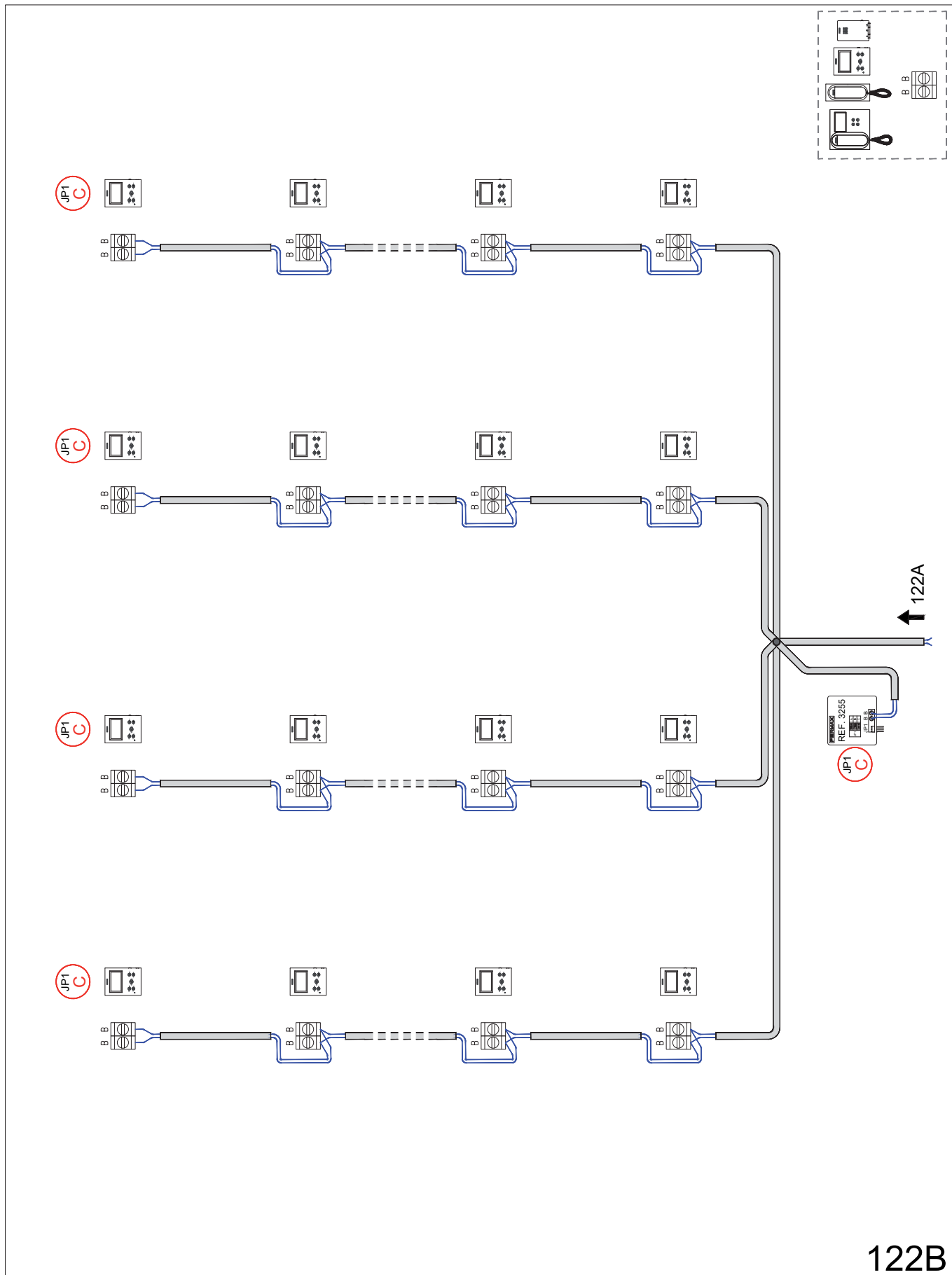
122A

1 video access with 4 risers.

Cascade.

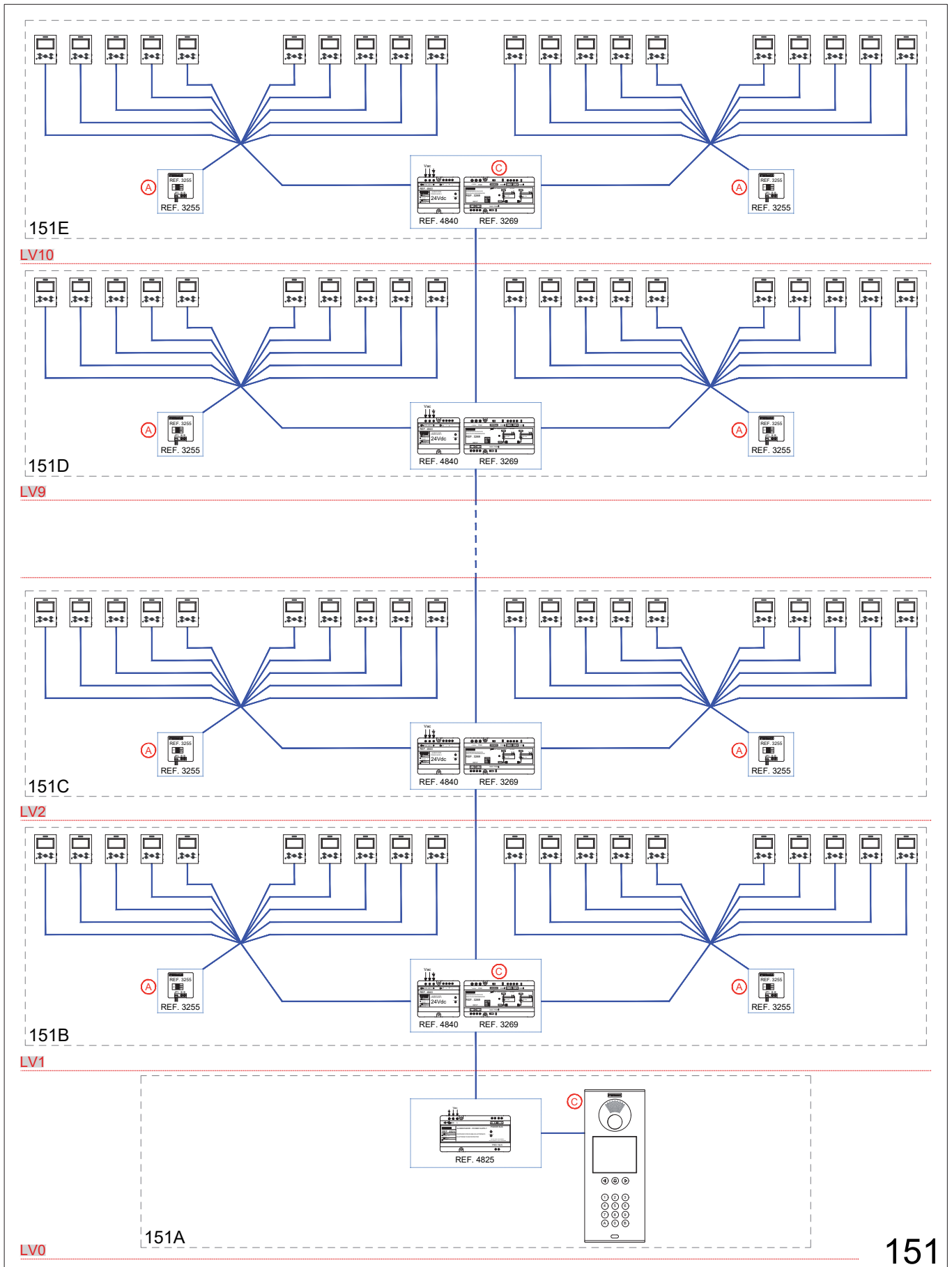
Extremely distanced outdoor panel. Located at a distance of approximately 500 metres.

122B - WIRING DIAGRAM. Connection detail: Floors (Terminals - Line adapters).



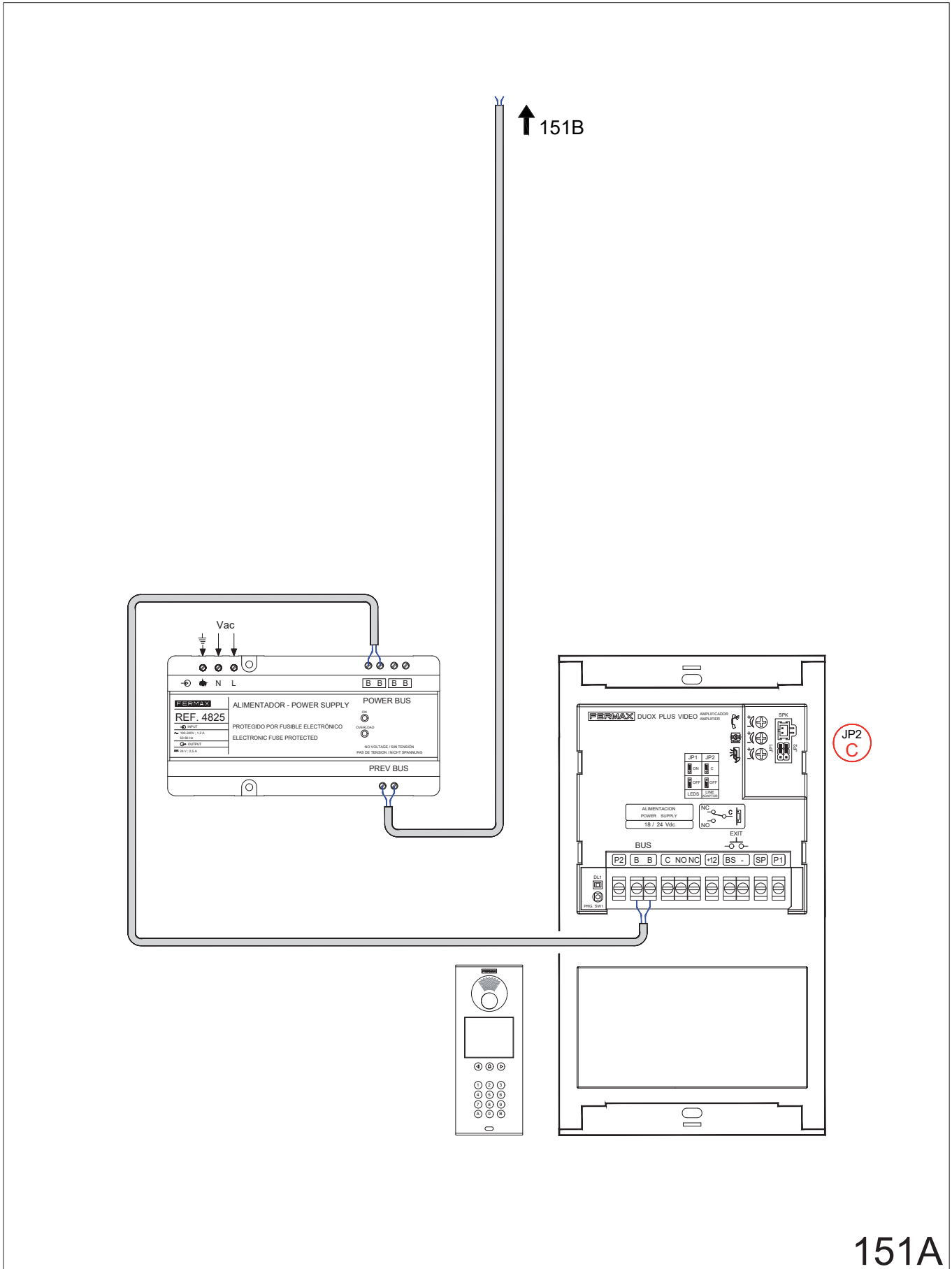
1 video access with 1 riser.  
 Star: 20 branches per floor

151 - SINGLE-LINE DIAGRAM.



1 video access with 1 riser.  
 Star: 20 branches per floor

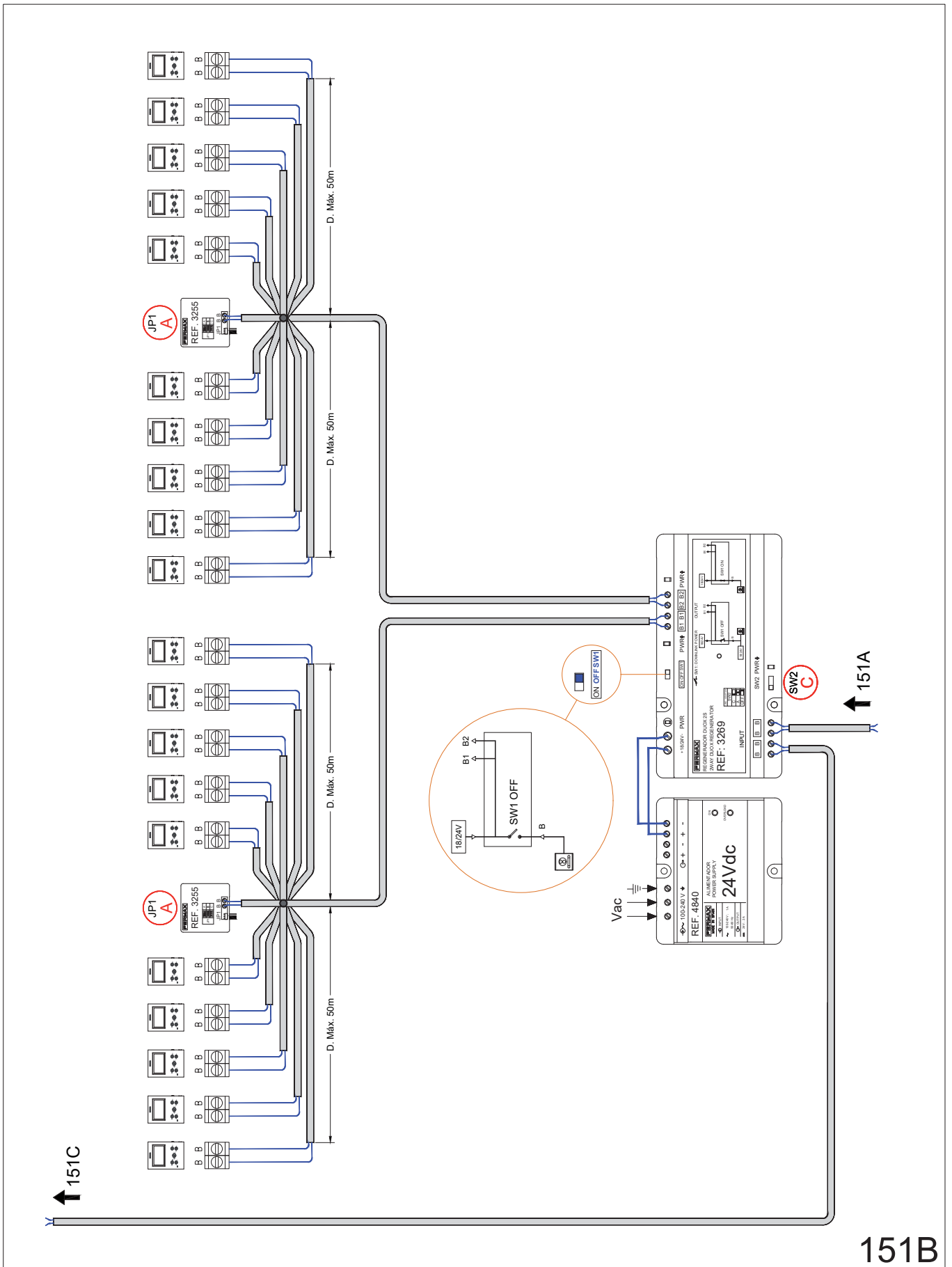
151A



151A

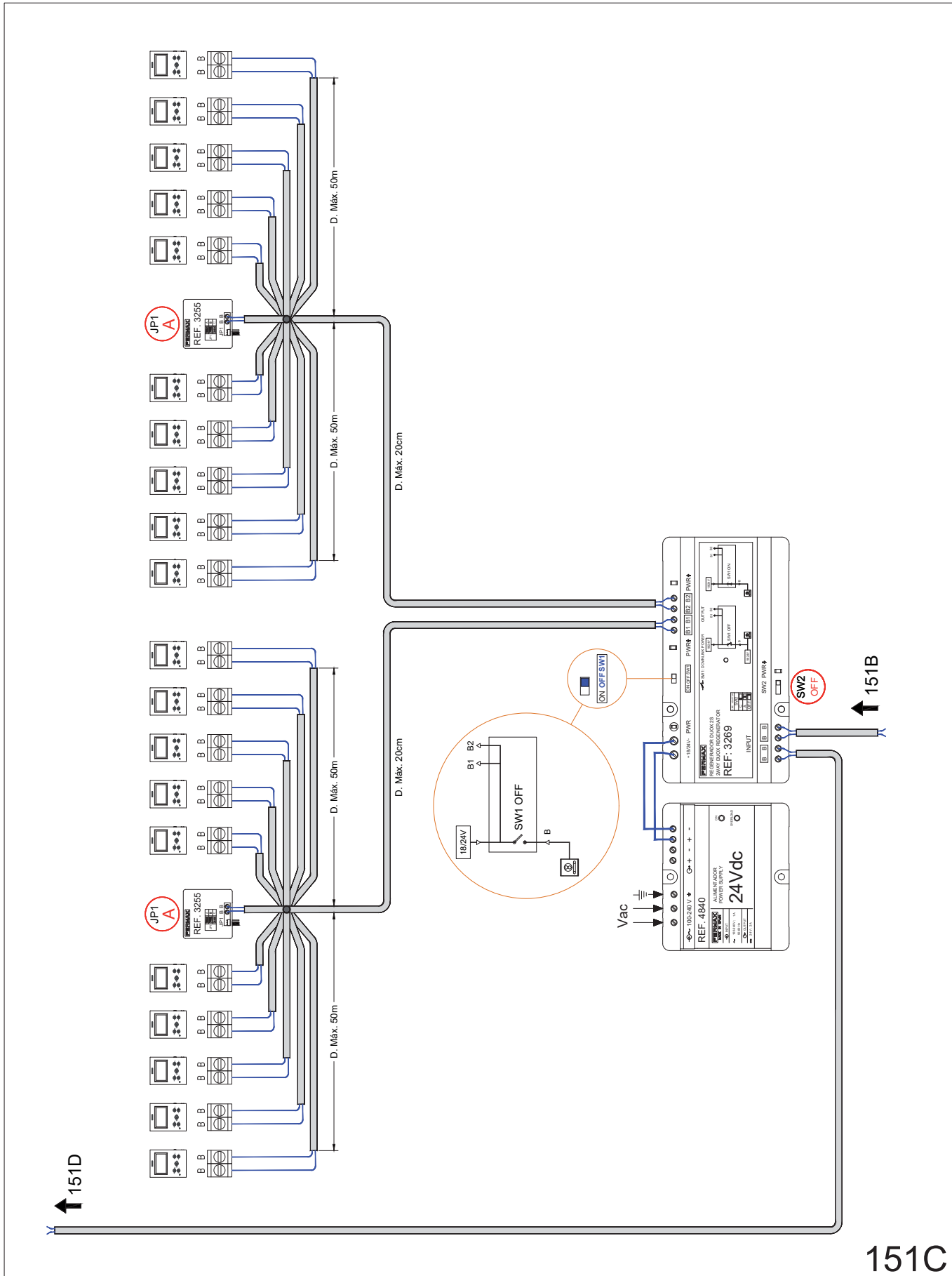
1 video access with 1 riser.  
Star: 20 branches per floor

151B



1 video access with 1 riser.  
 Star: 20 branches per floor

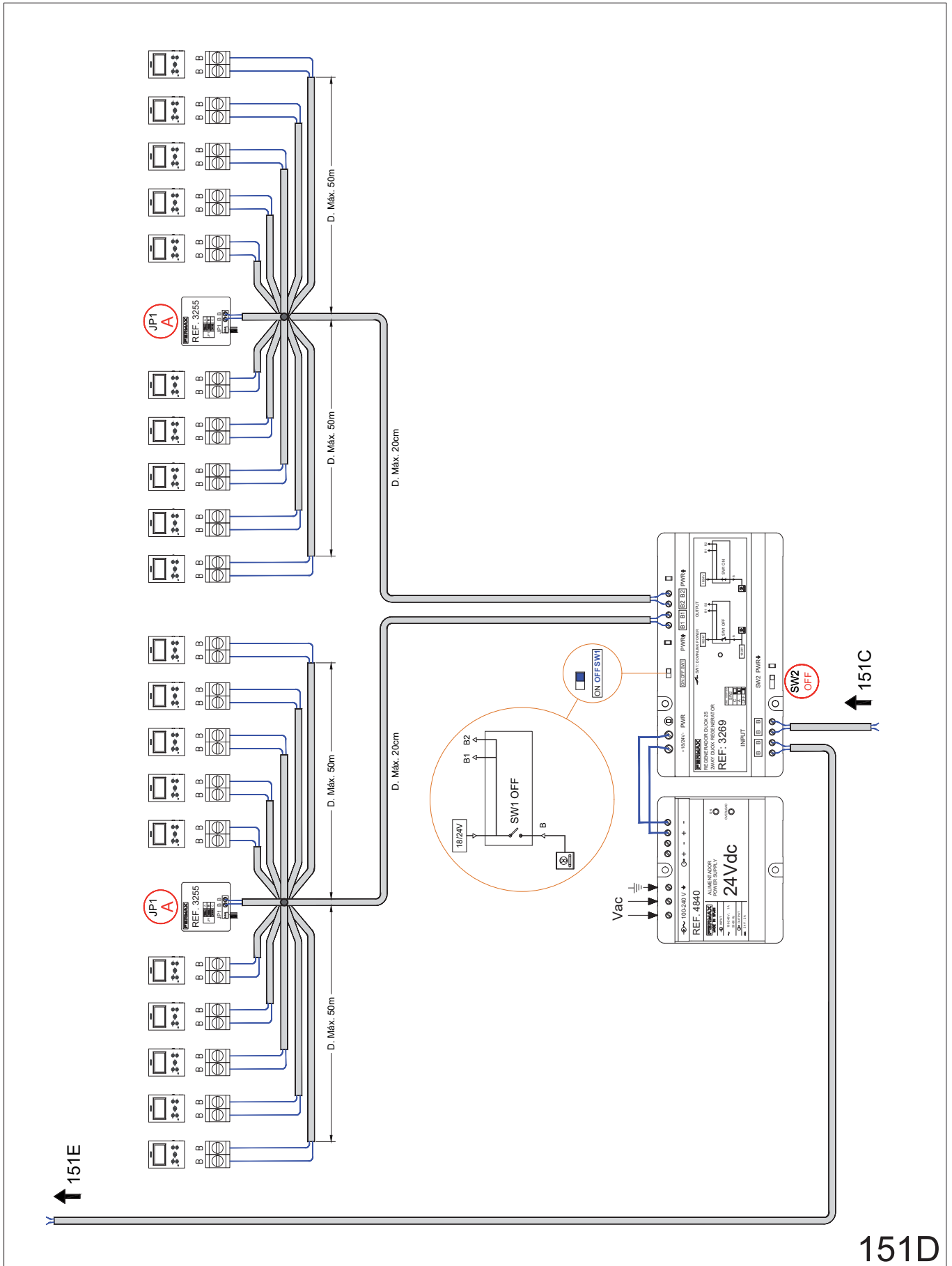
151C



151C

1 video access with 1 riser.  
Star: 20 branches per floor

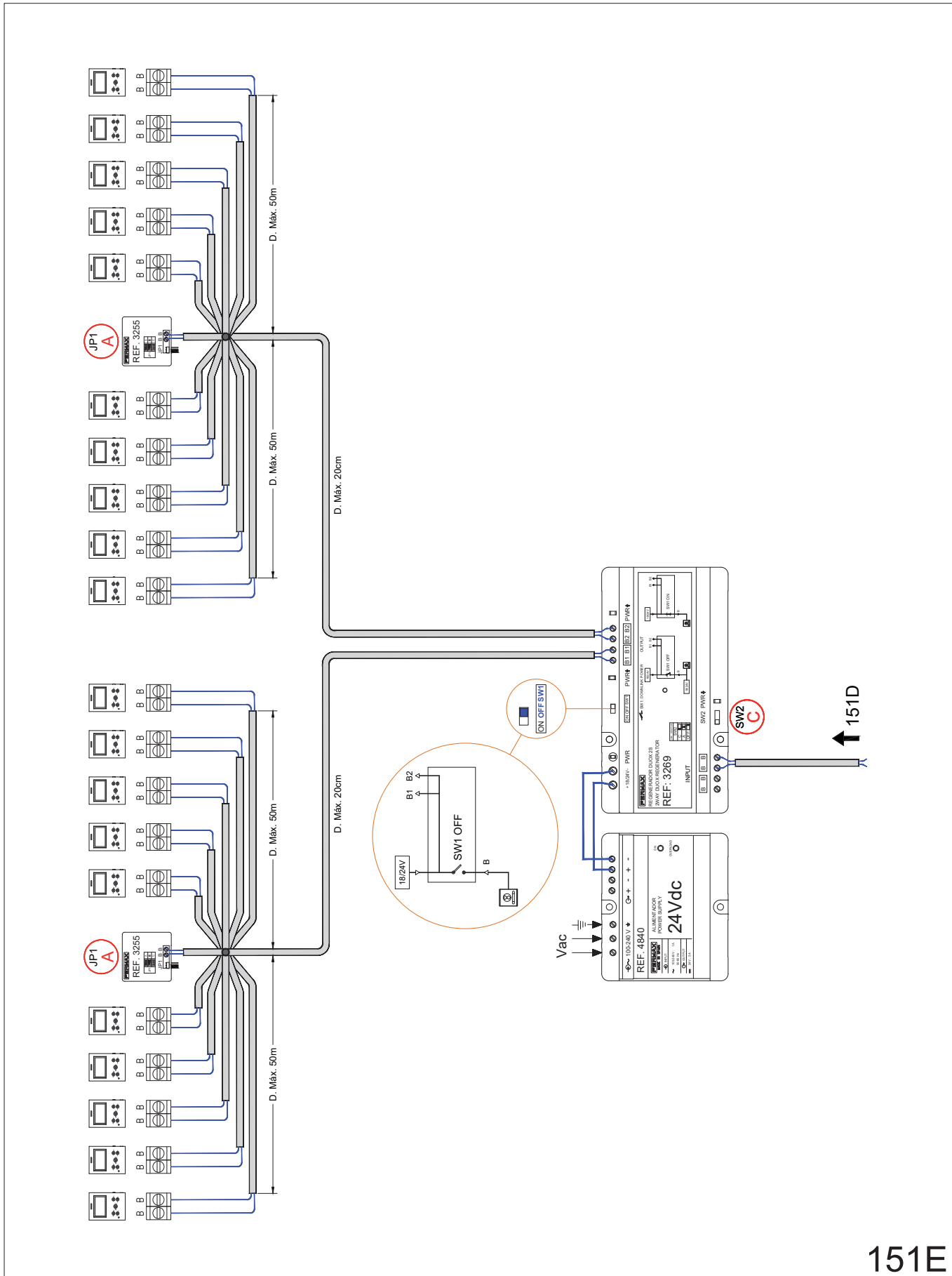
151D



151D

1 video access with 1 riser.  
 Star: 20 branches per floor

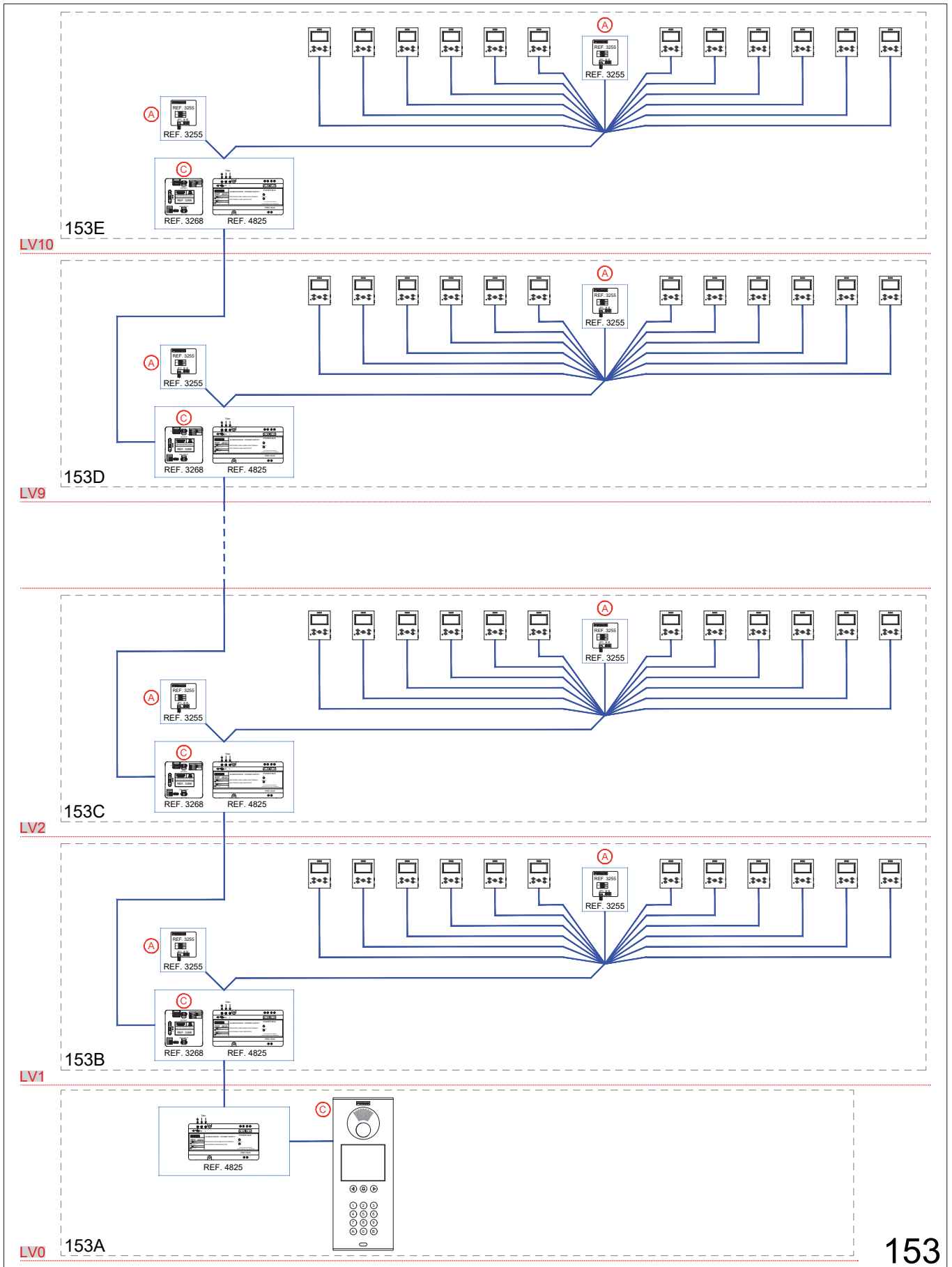
151E



151E

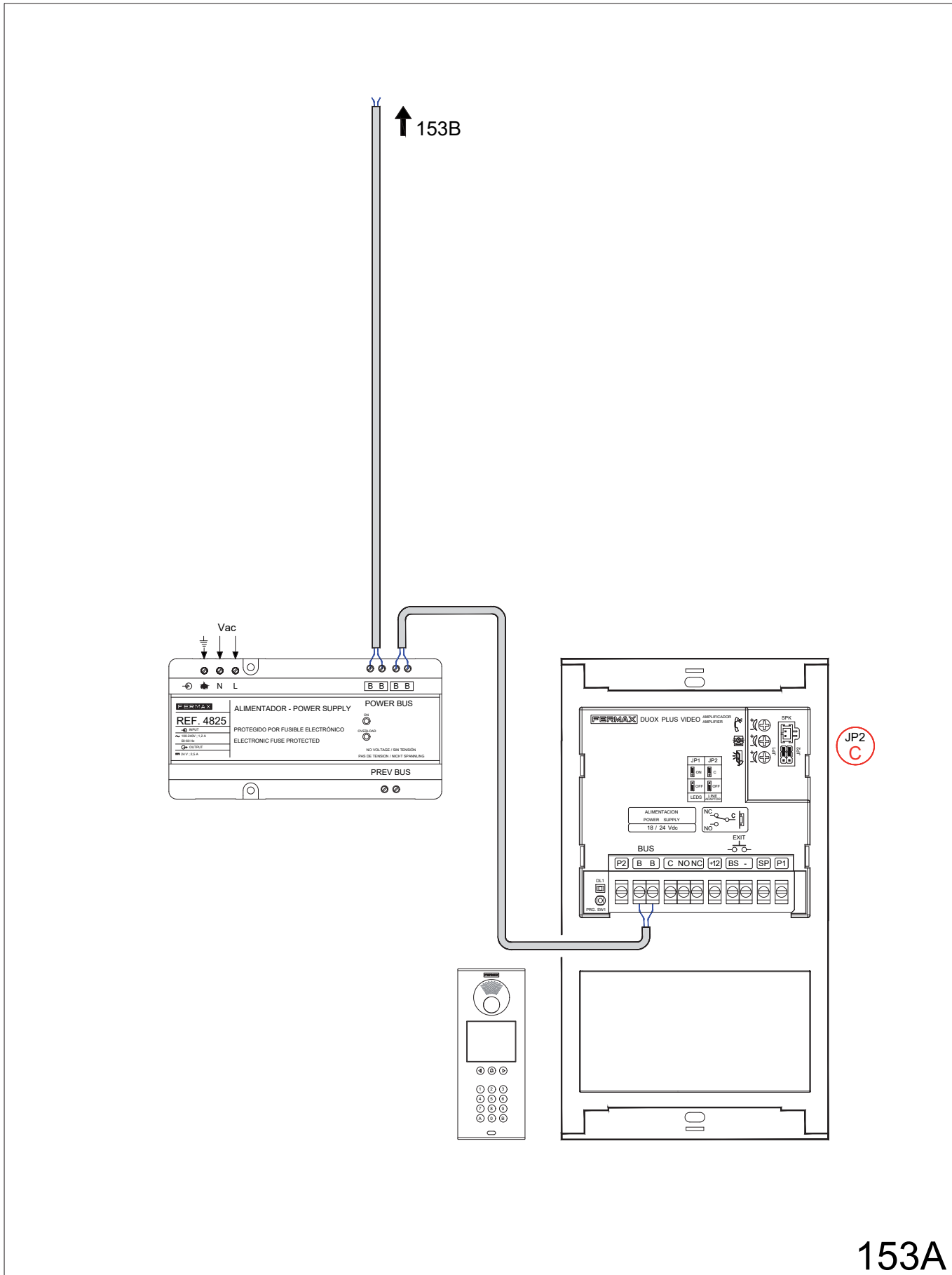
1 video access with 1 riser.  
Star: 12 branches per floor

153 - SINGLE-LINE DIAGRAM.



1 video access with 1 riser.  
 Star: 12 branches per floor

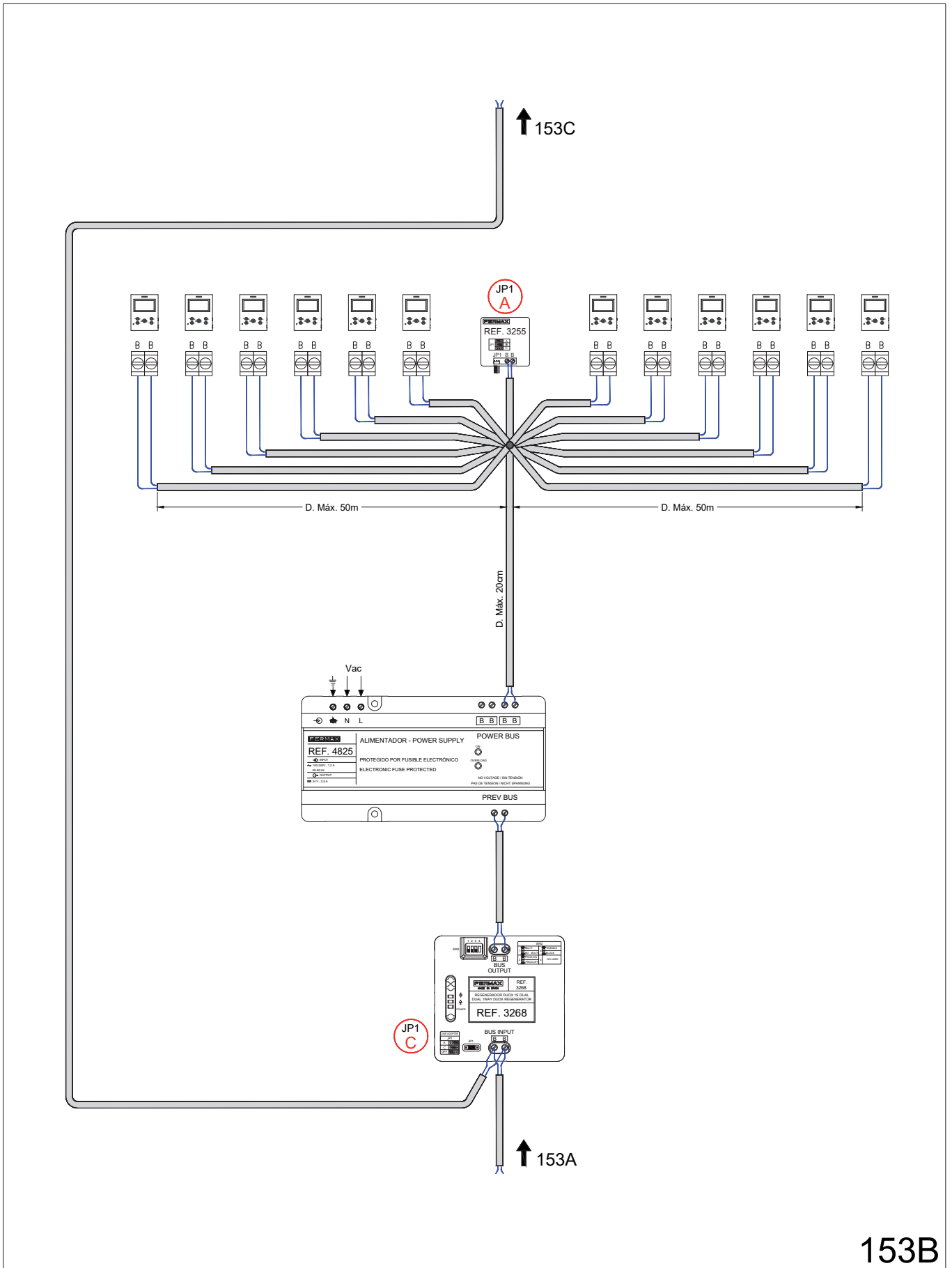
153A



153A

1 video access with 1 riser.  
 Star: 12 branches per floor

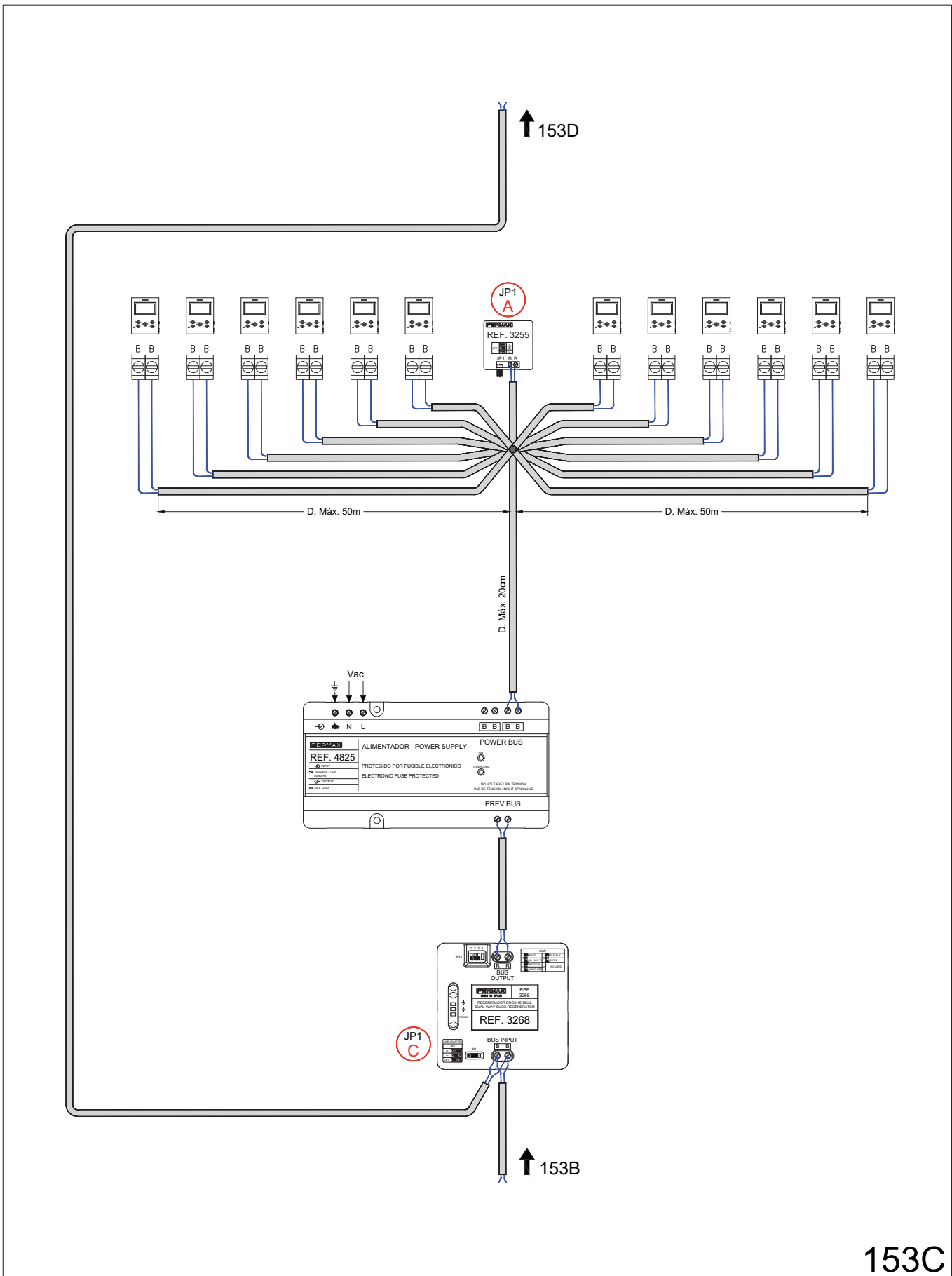
153B



153B

1 video access with 1 riser.  
 Star: 12 branches per floor

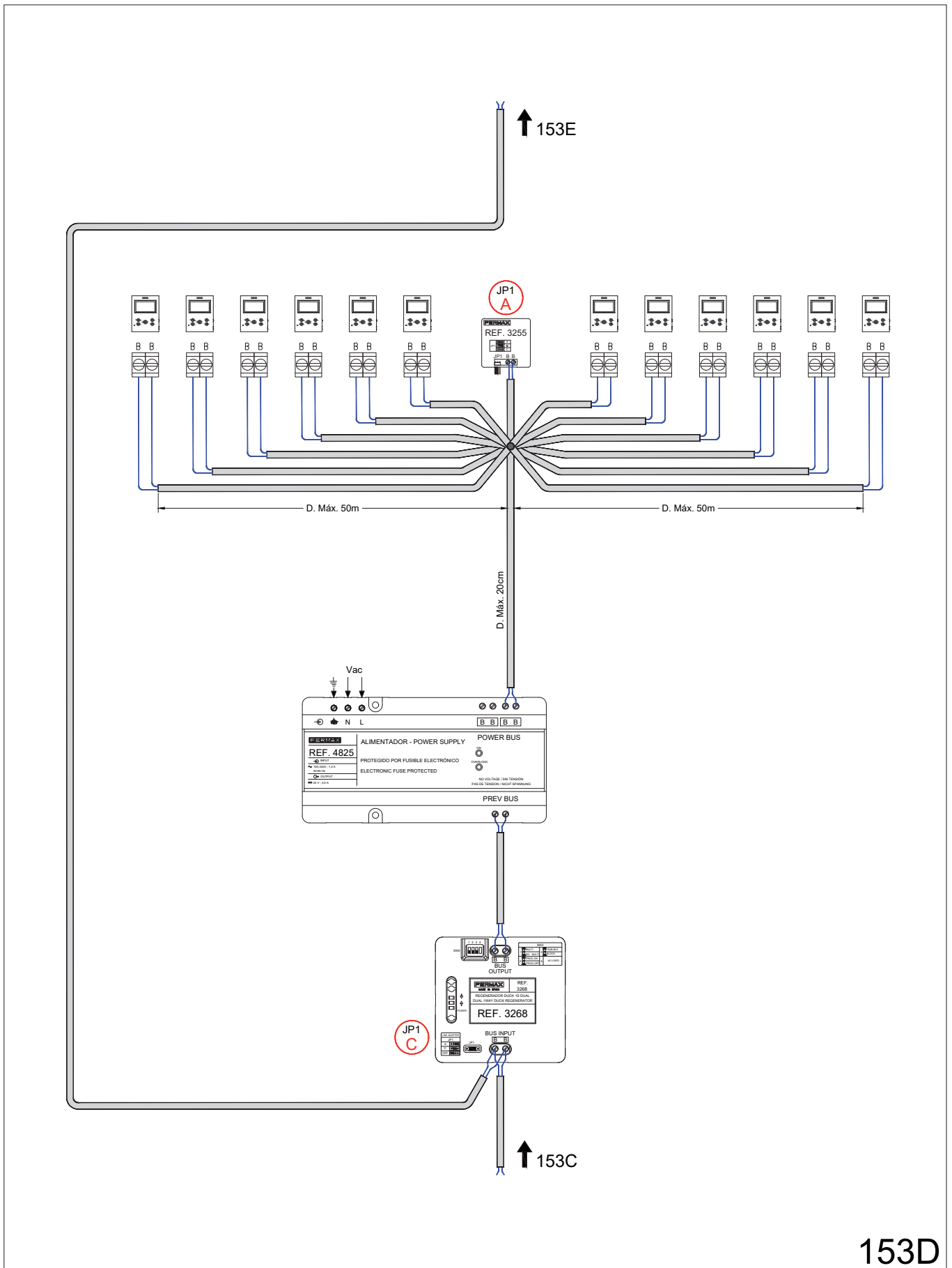
153C



153C

1 video access with 1 riser.  
 Star: 12 branches per floor

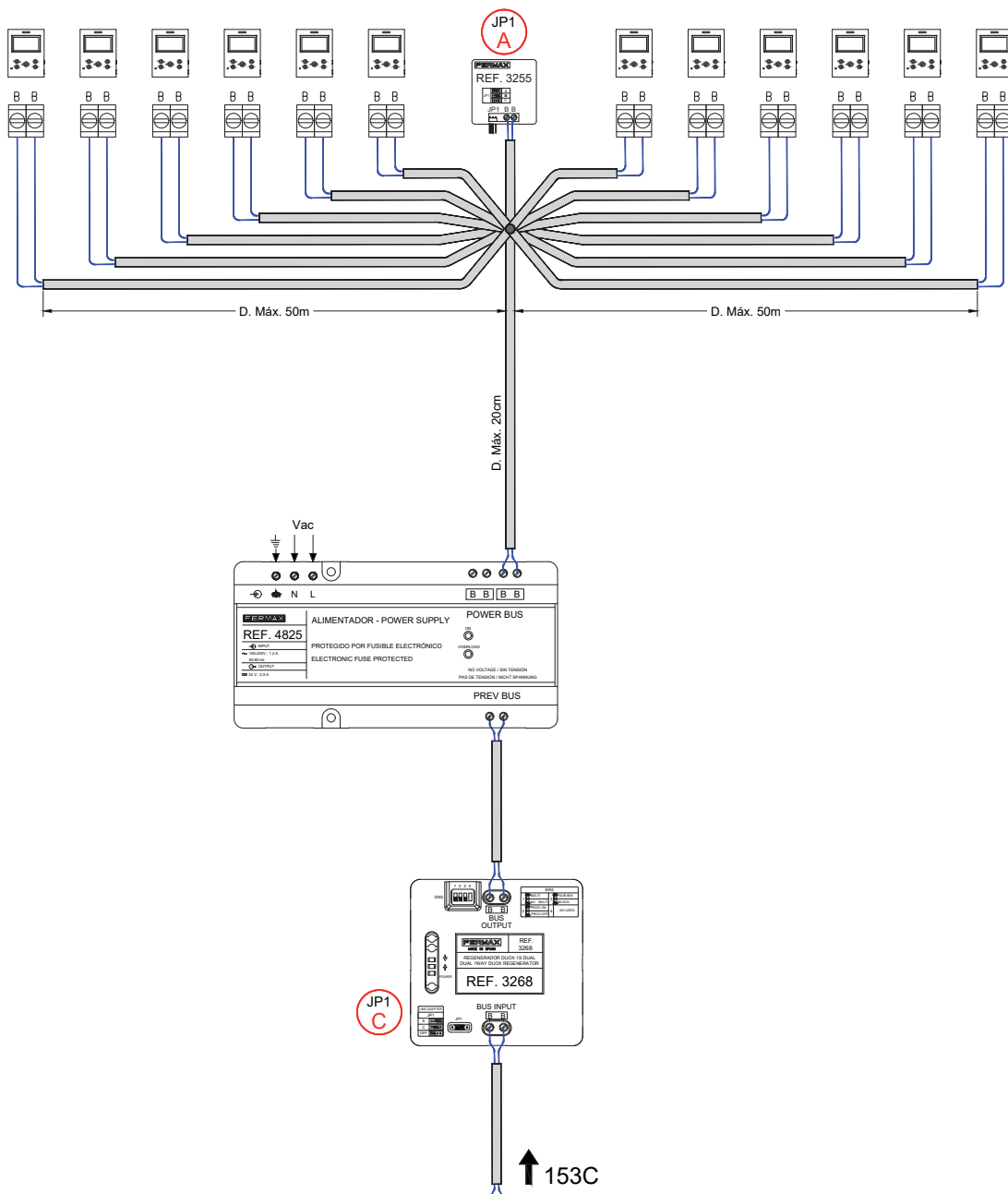
153D



153D

1 video access with 1 riser.  
 Star: 12 branches per floor

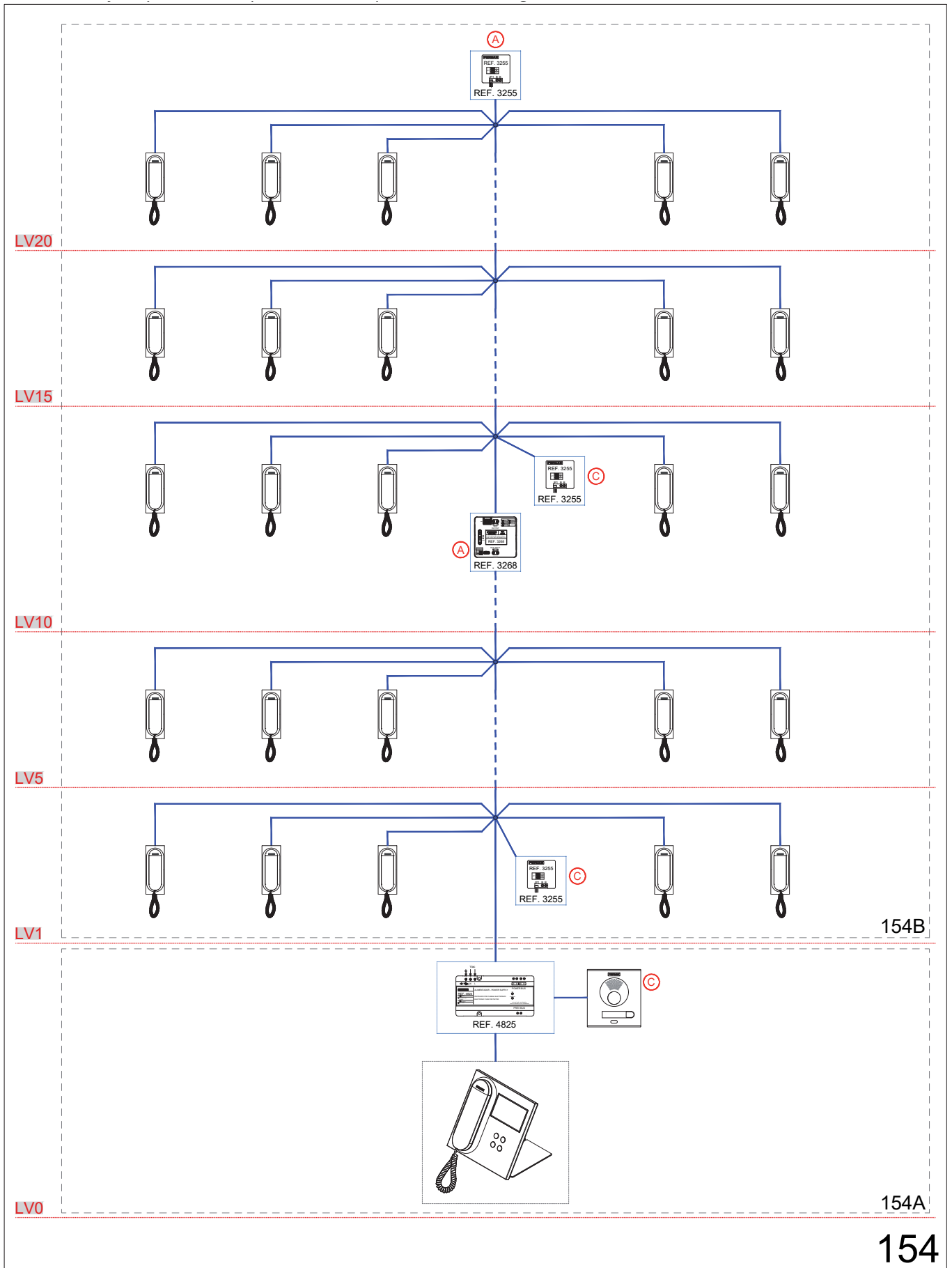
153E



153E

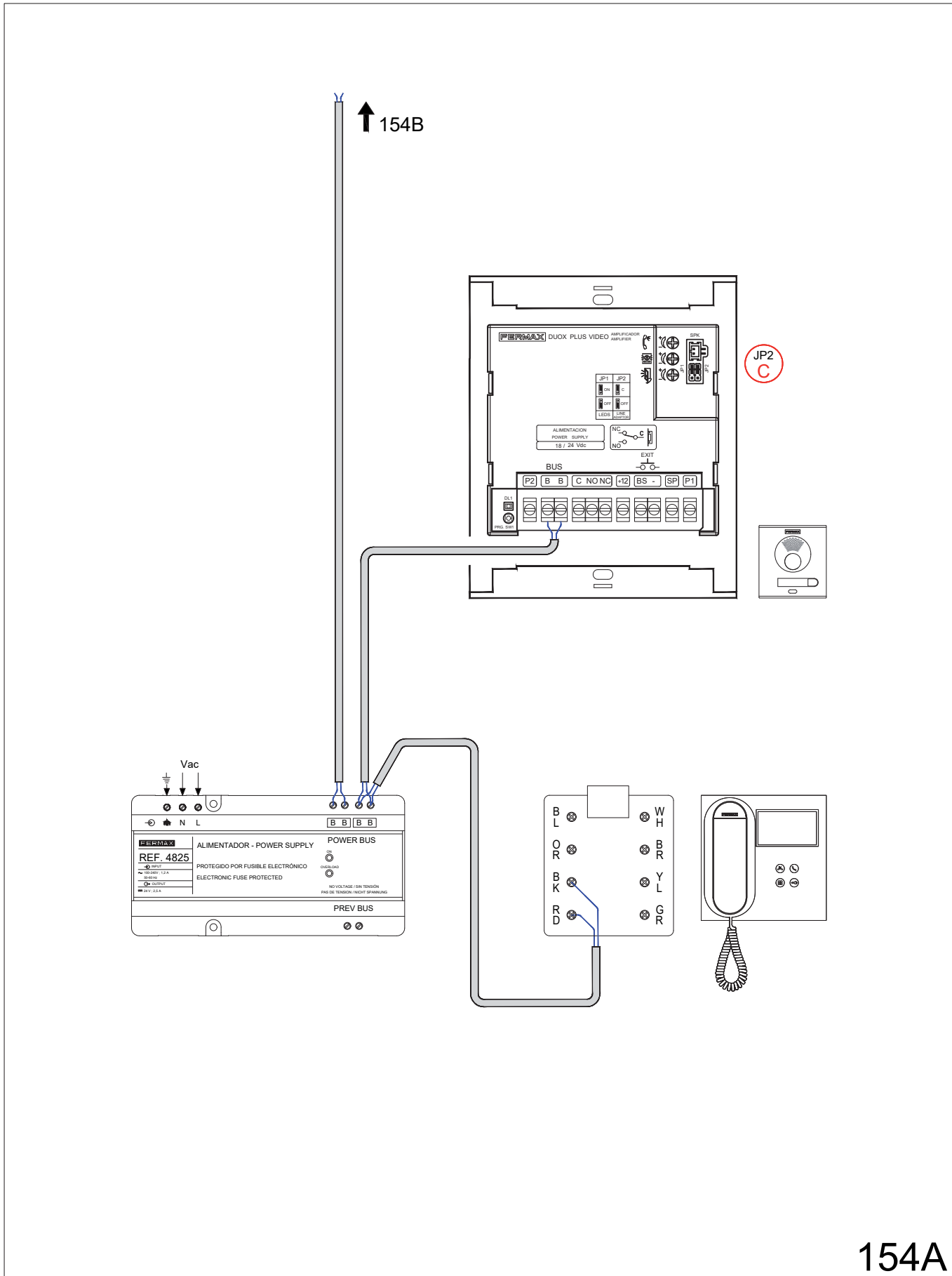
1 audio guard unit and 1 pushbutton panel with 1 riser and regenerator.  
 Distribution 5 telephones per floor.

154 - SINGLE-LINE DIAGRAM.



1 audio guard unit and 1 pushbutton panel with 1 riser and regenerator.  
 Distribution 5 telephones per floor.

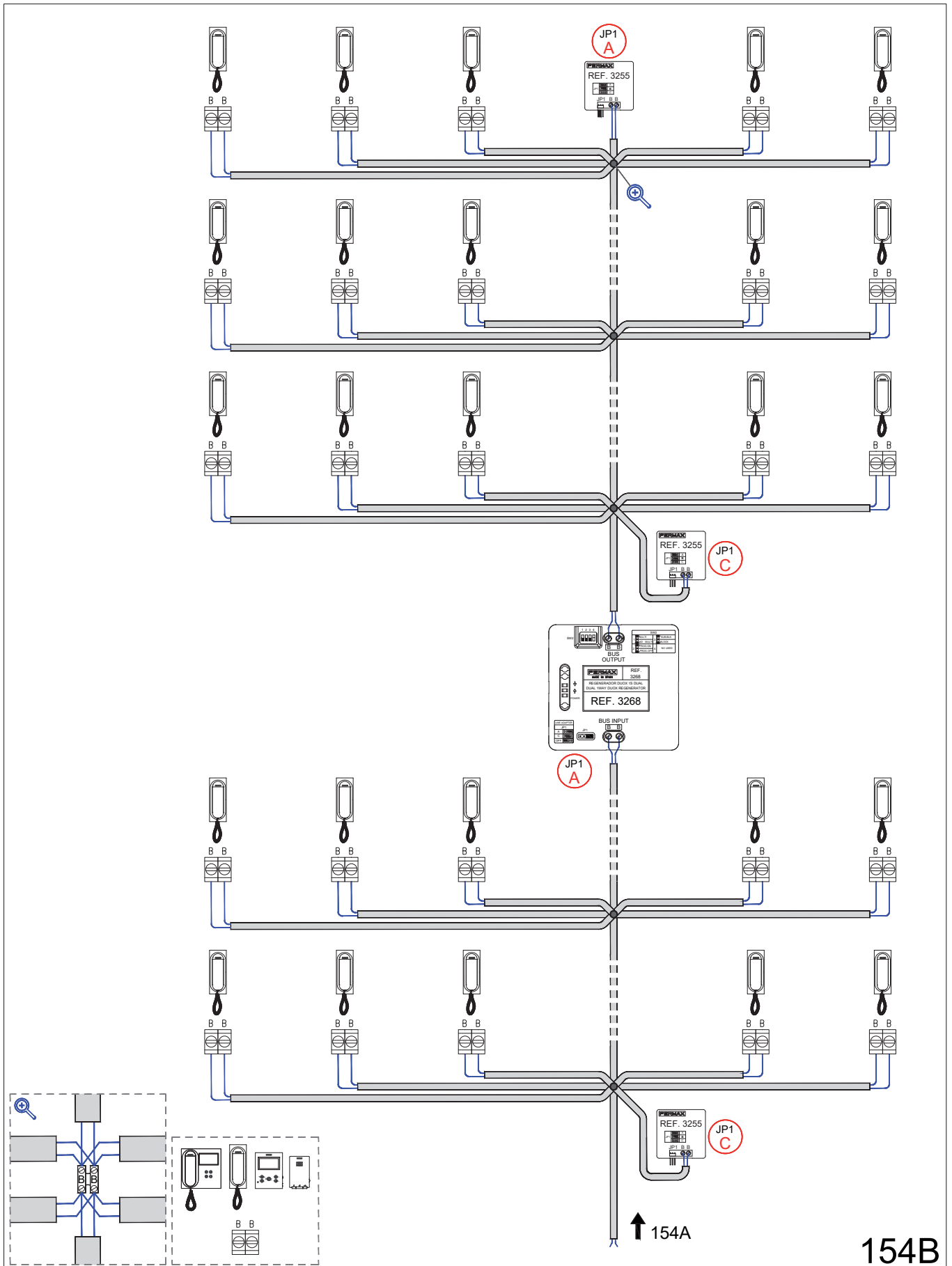
154A



154A

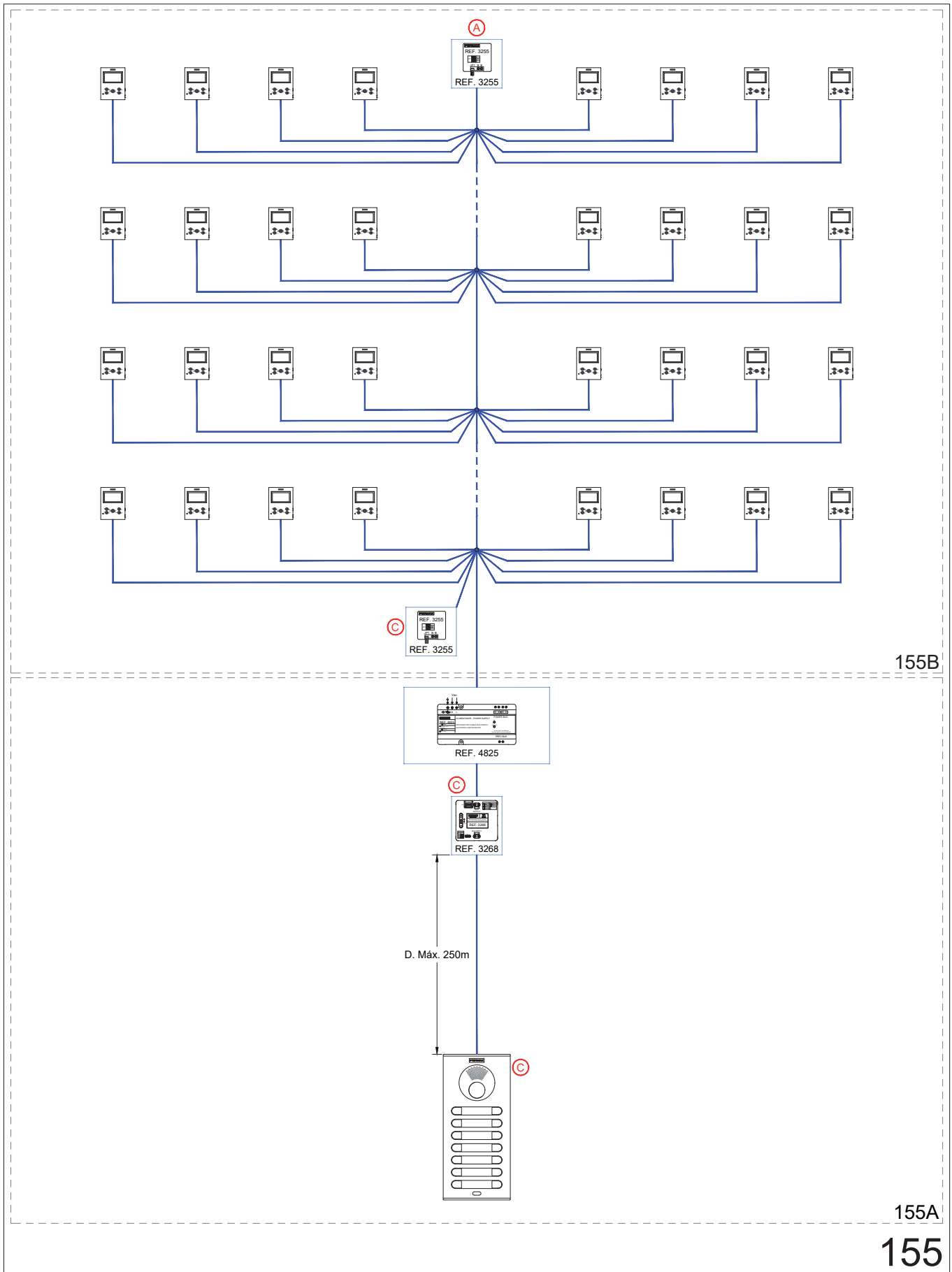
1 audio guard unit and 1 pushbutton panel with 1 riser and regenerator.  
Distribution 5 telephones per floor.

154B



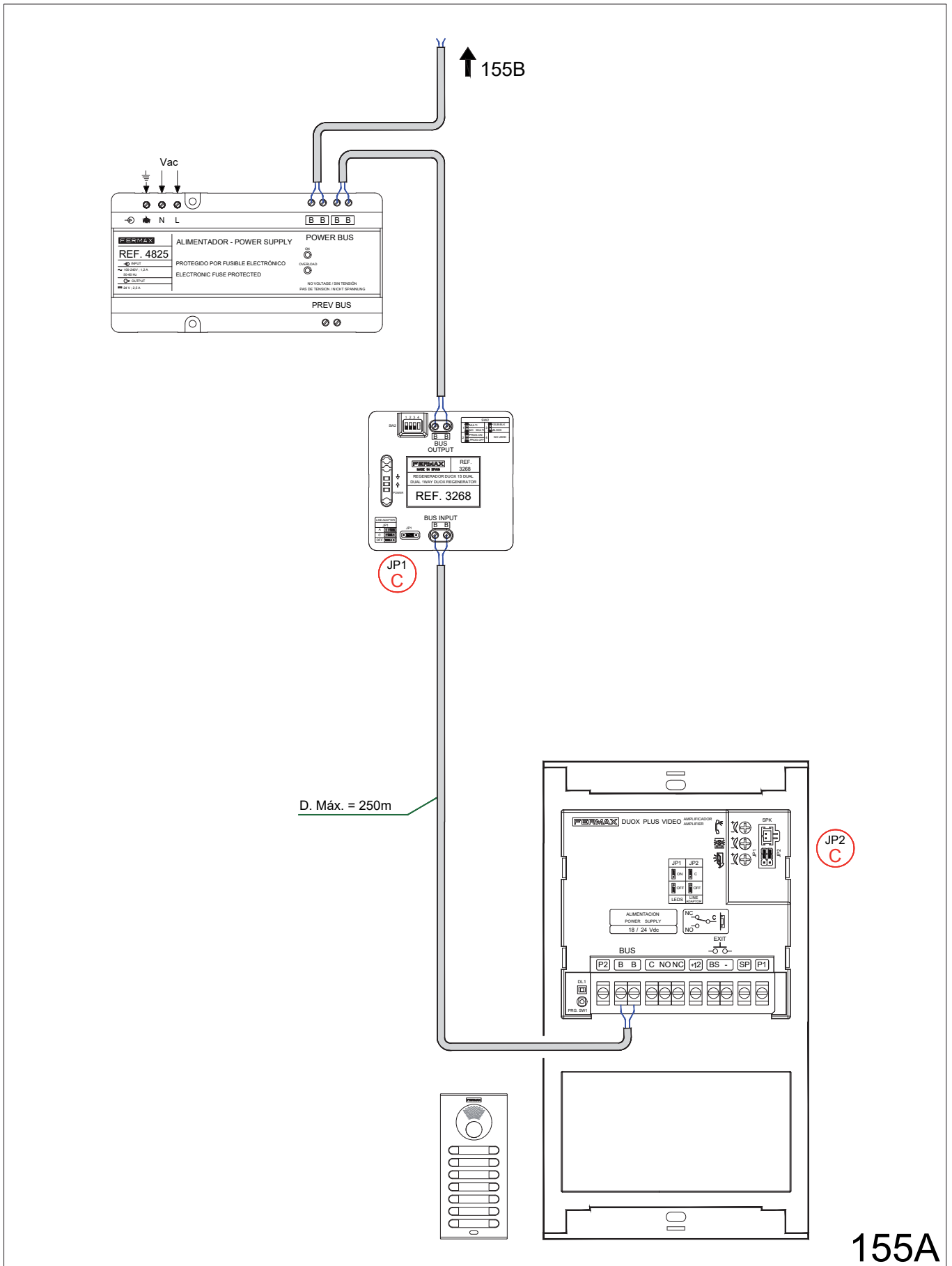
1 video access with 1 riser. Distribution of 8 terminals per floor.  
 Distanced outdoor panel (maximum distance 250 m.)

155 - SINGLE-LINE DIAGRAM.



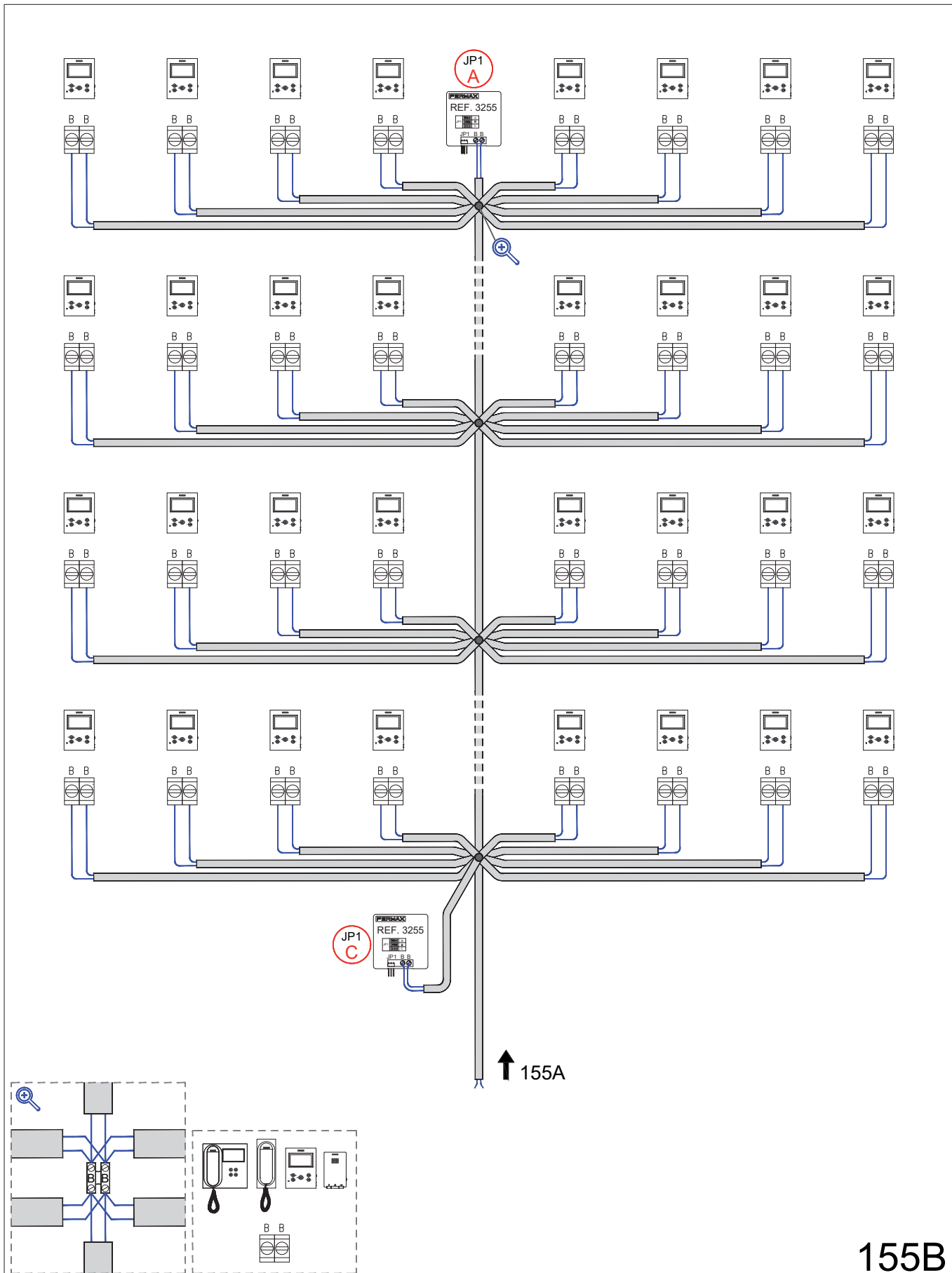
1 video access with 1 riser. Distribution of 8 terminals per floor.  
 Distanced outdoor panel (maximum distance 250 m.)

155A



1 video access with 1 riser. Distribution of 8 terminals per floor.  
 Distanced outdoor panel (maximum distance 250 m.)

155B

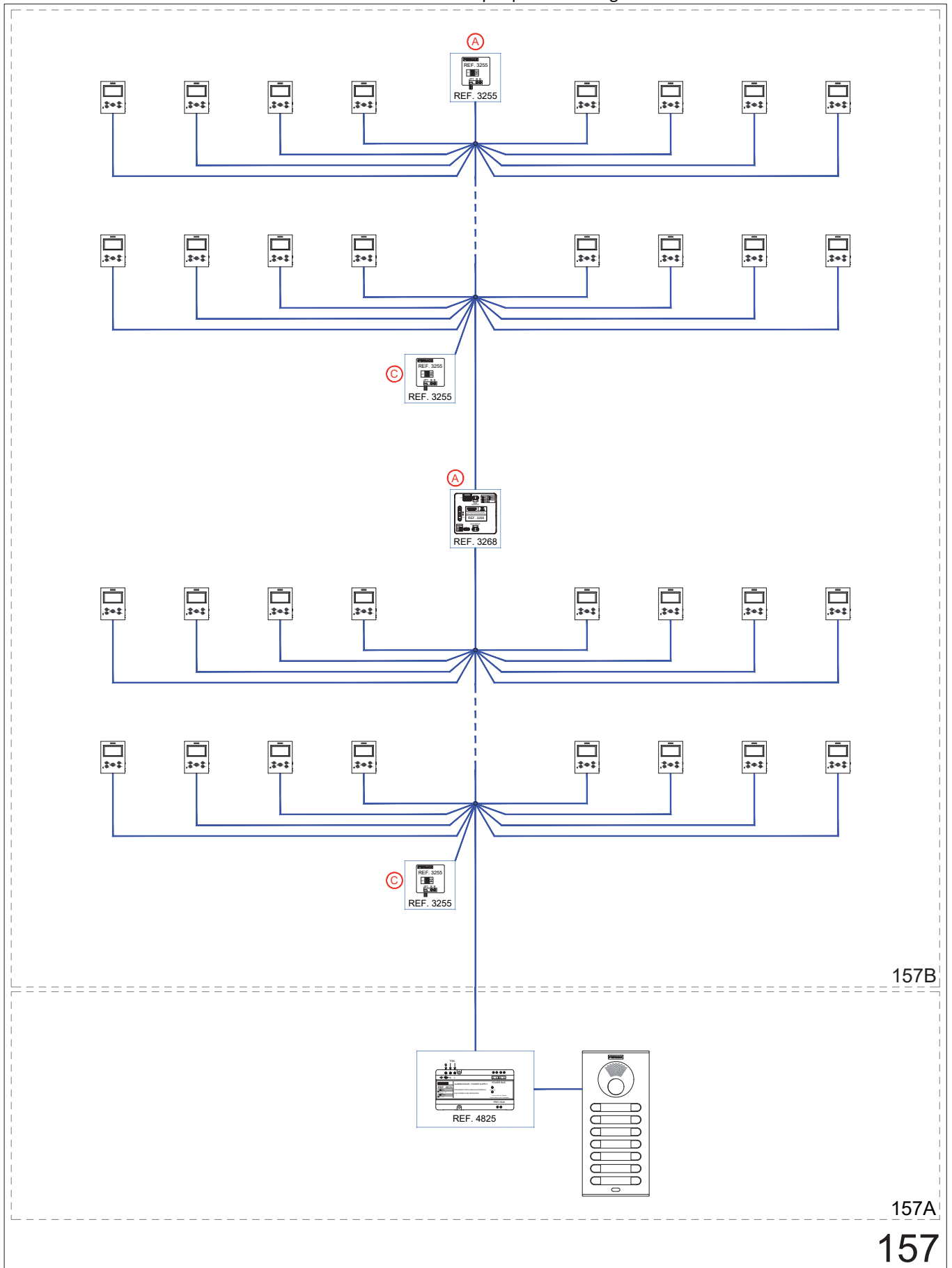


155B

1 video access with 1 riser.

Distribution of 8 terminals per floor with regenerator.

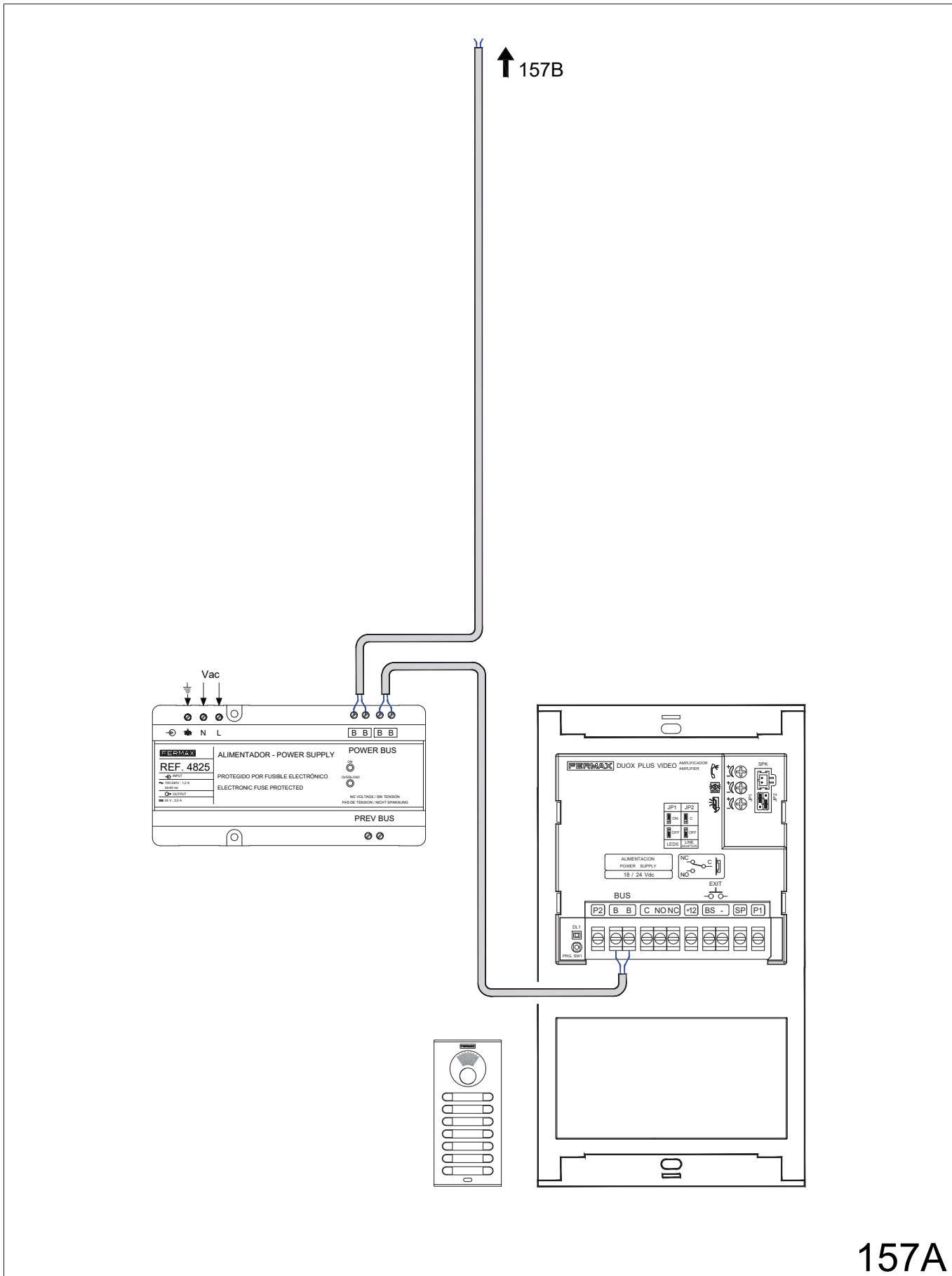
157



1 video access with 1 riser.

Distribution of 8 terminals per floor with regenerator.

157A

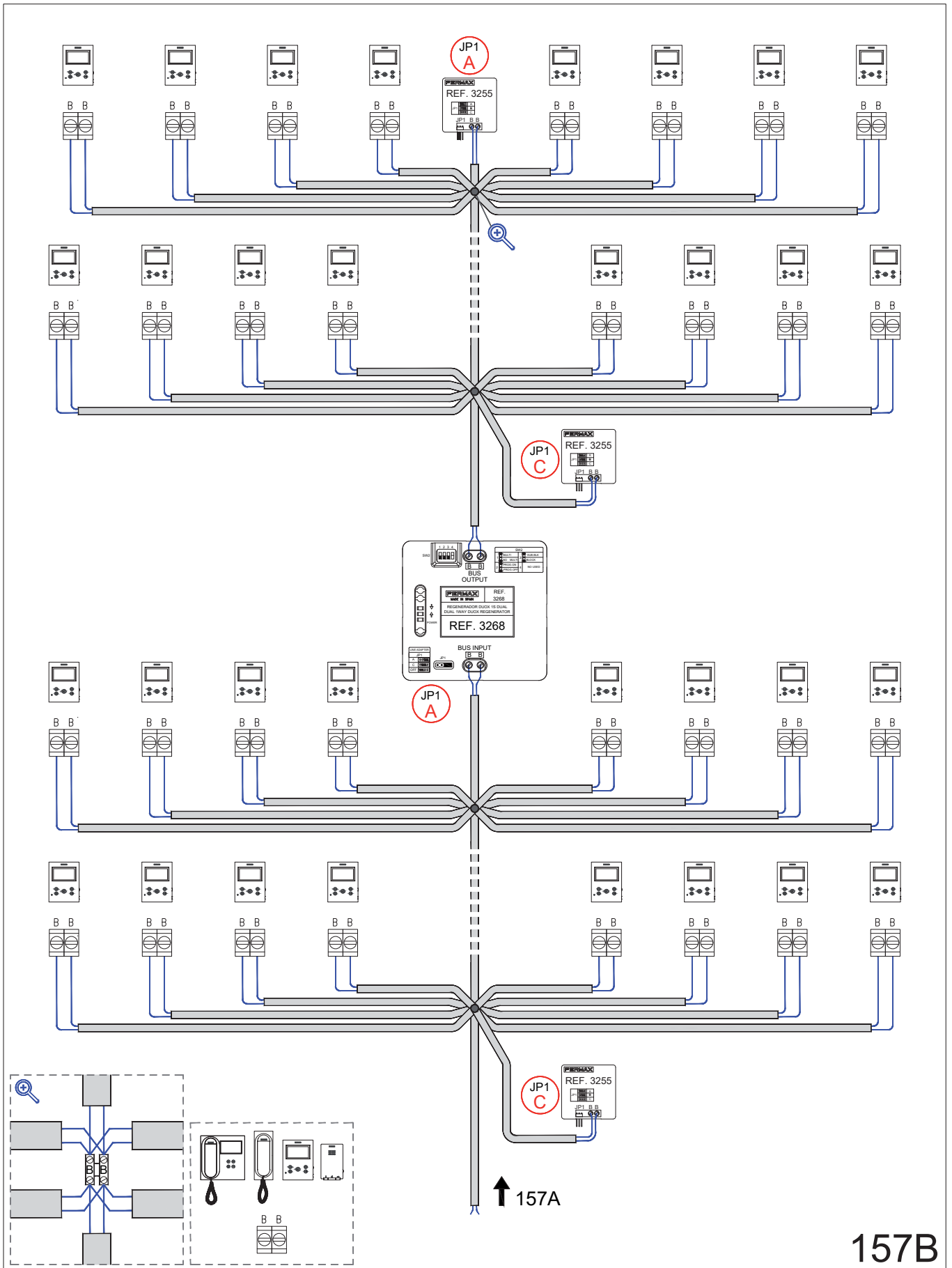


157A

1 video access with 1 riser.

Distribution of 8 terminals per floor with regenerator.

157B



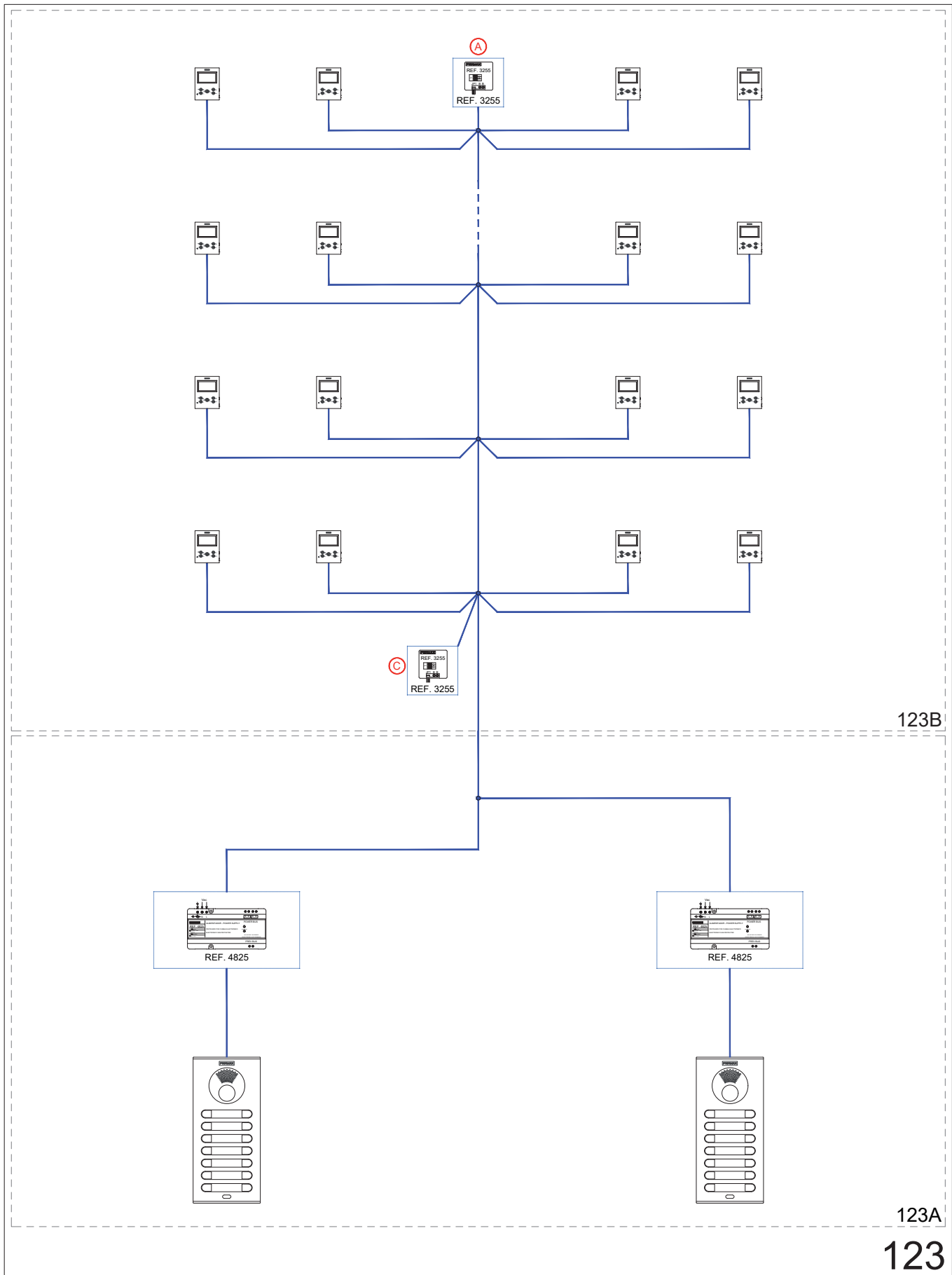
157B

### 2.3.2 BLOCK DIAGRAM WITH 2 VIDEO ACCESSES

2 video accesses with 1 riser.

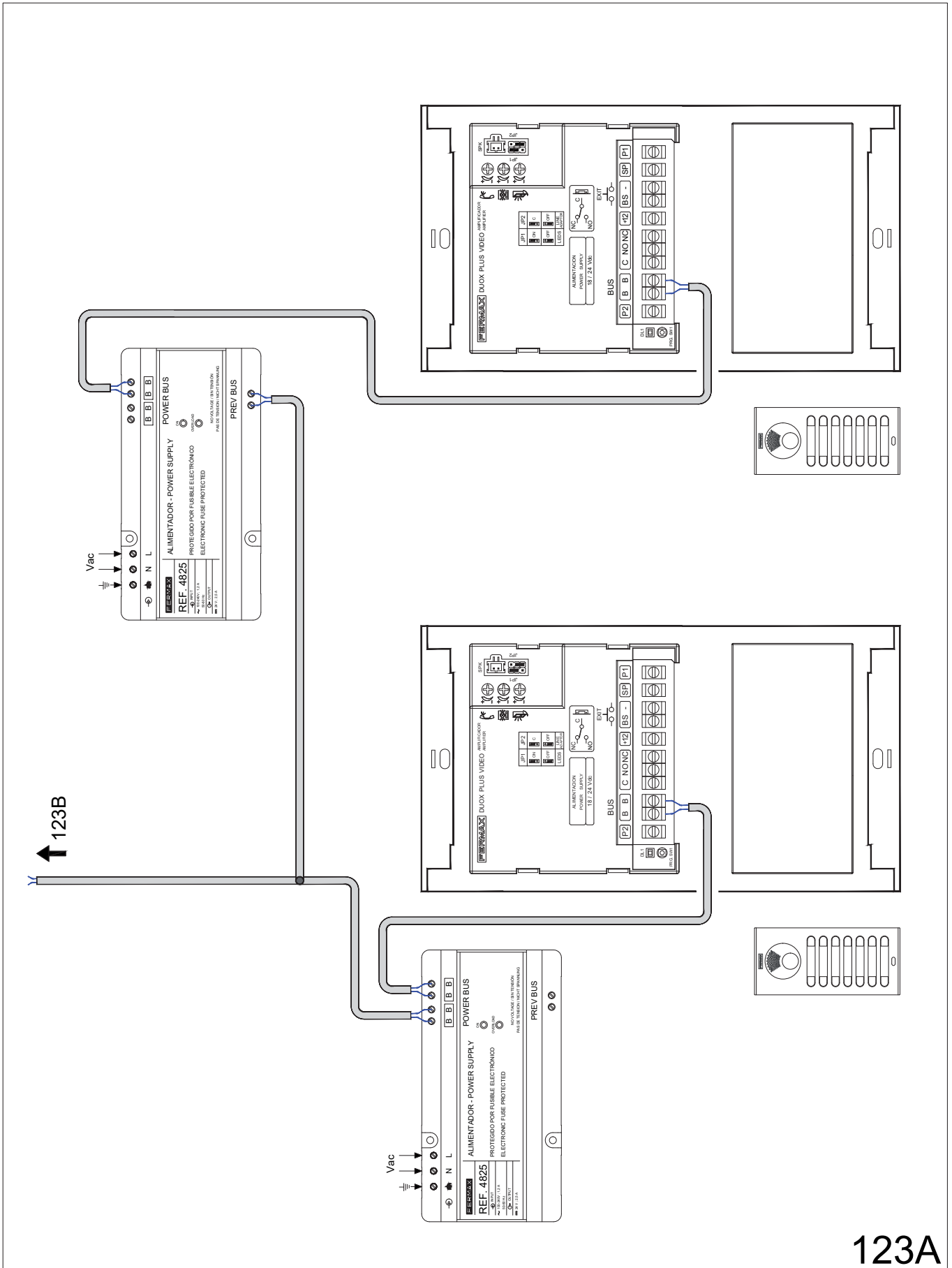
Distribution 4 terminals per floor.

123 - SINGLE-LINE DIAGRAM.



2 video accesses with 1 riser.  
 Distribution 4 terminals per floor.

123A - WIRING DIAGRAM. Connection detail: Outdoor panels - Power supply sets.

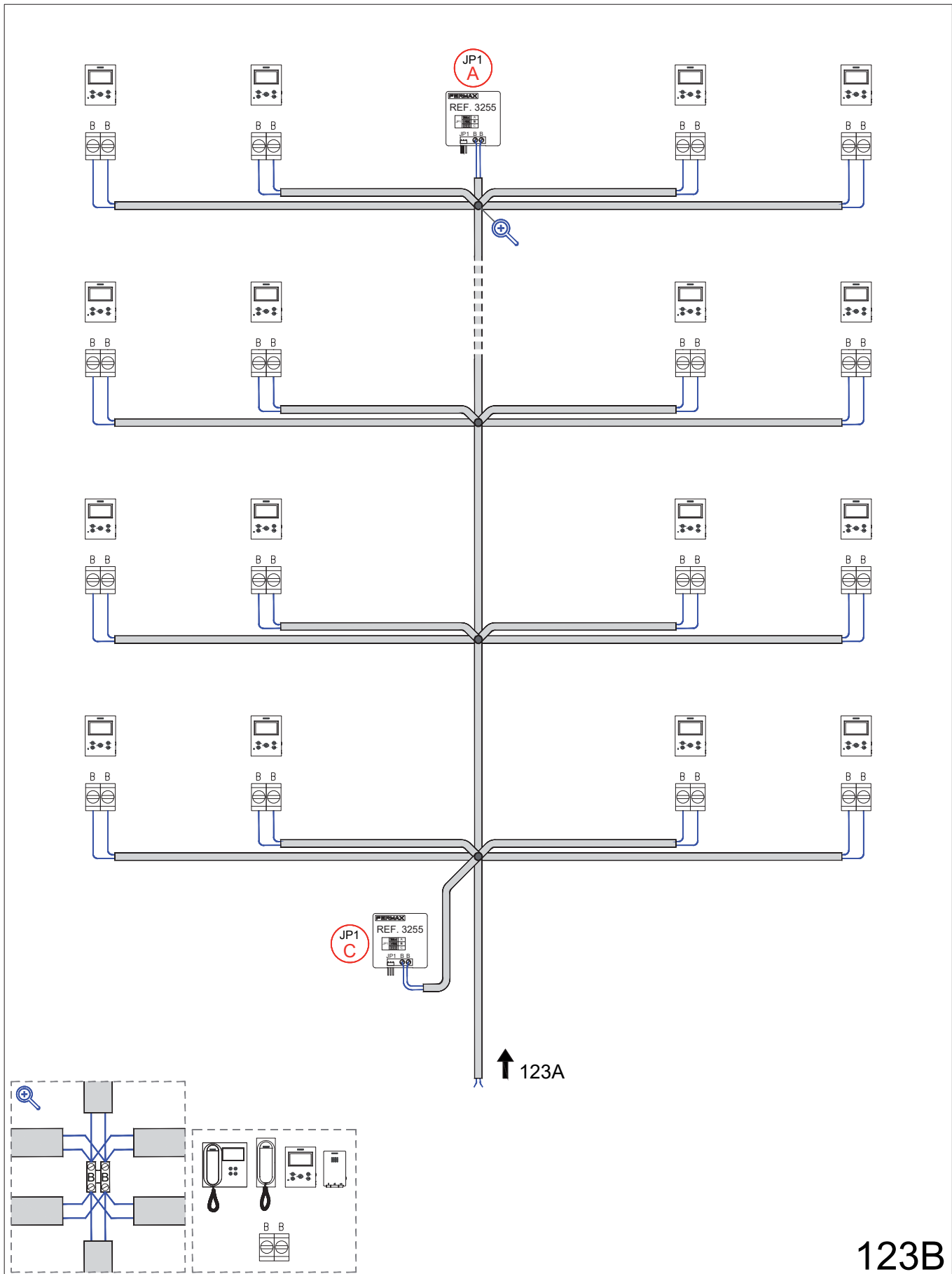


123A

2 video accesses with 1 riser.

Distribution 4 terminals per floor.

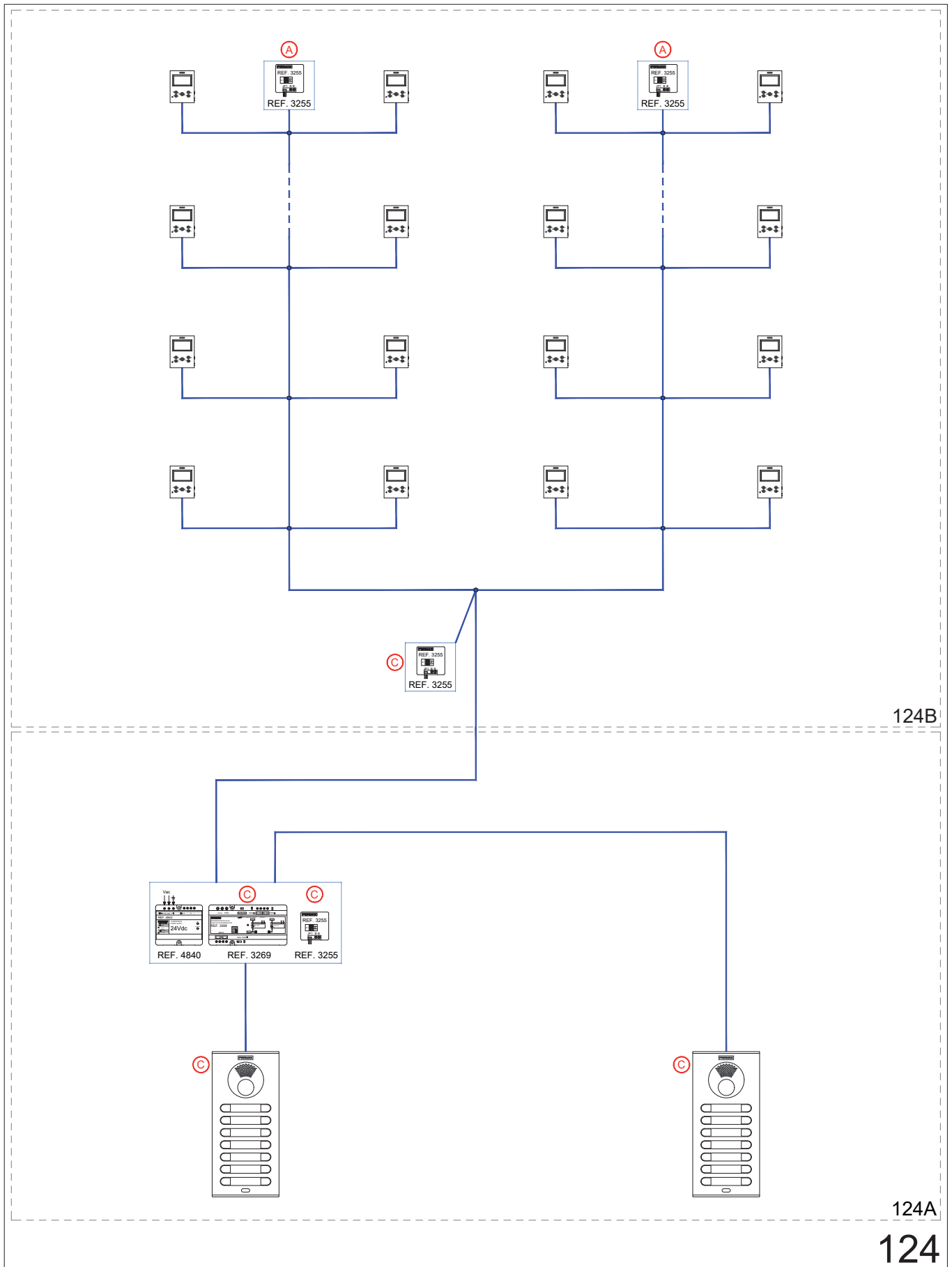
123B - WIRING DIAGRAM. Connection detail: Floors (Terminals - Line adapters).



123B

2 video accesses with 2 risers.  
 Distribution 2 terminals per floor.

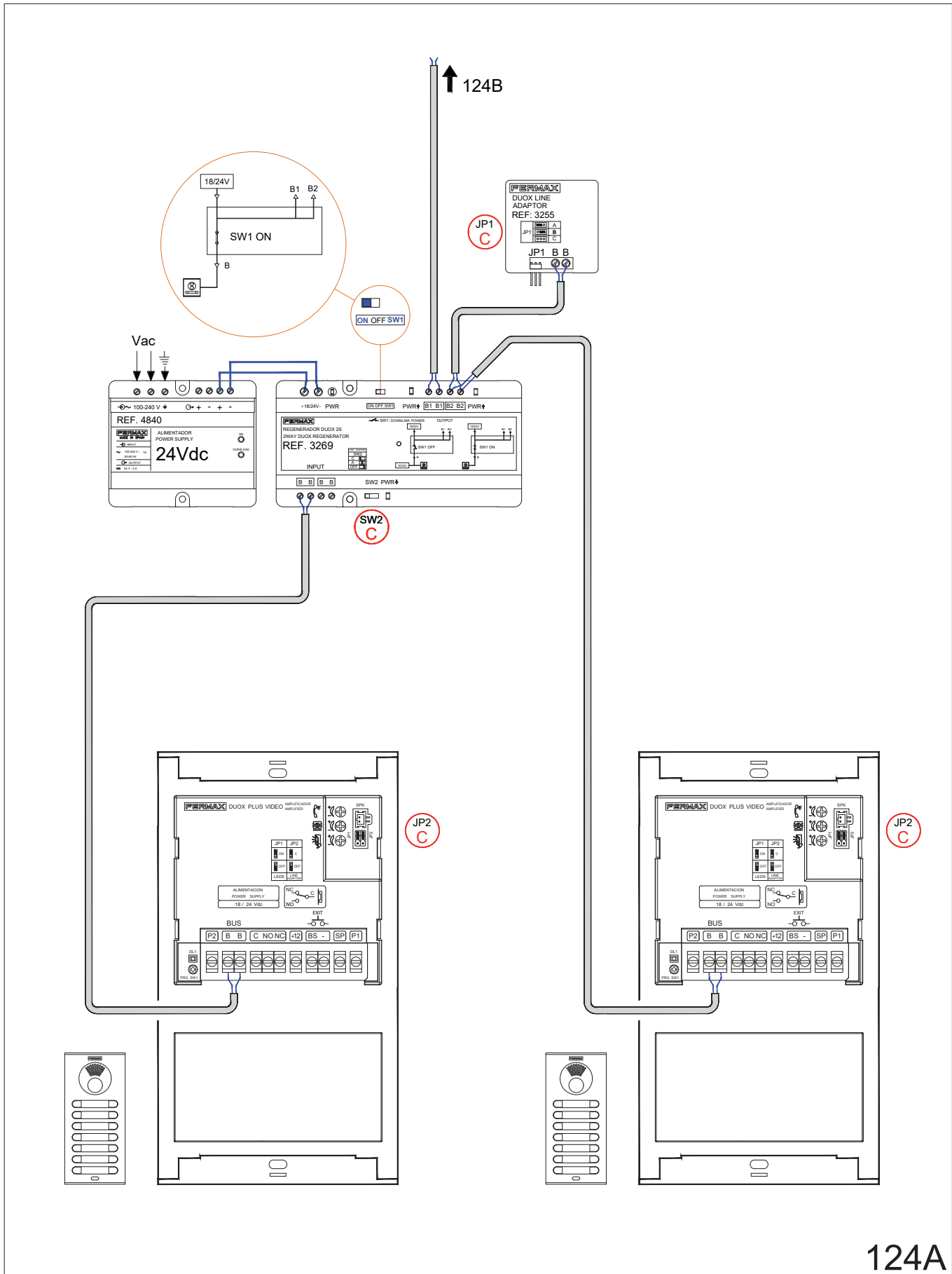
124 - SINGLE-LINE DIAGRAM.



2 video accesses with 2 risers.

Distribution 2 terminals per floor.

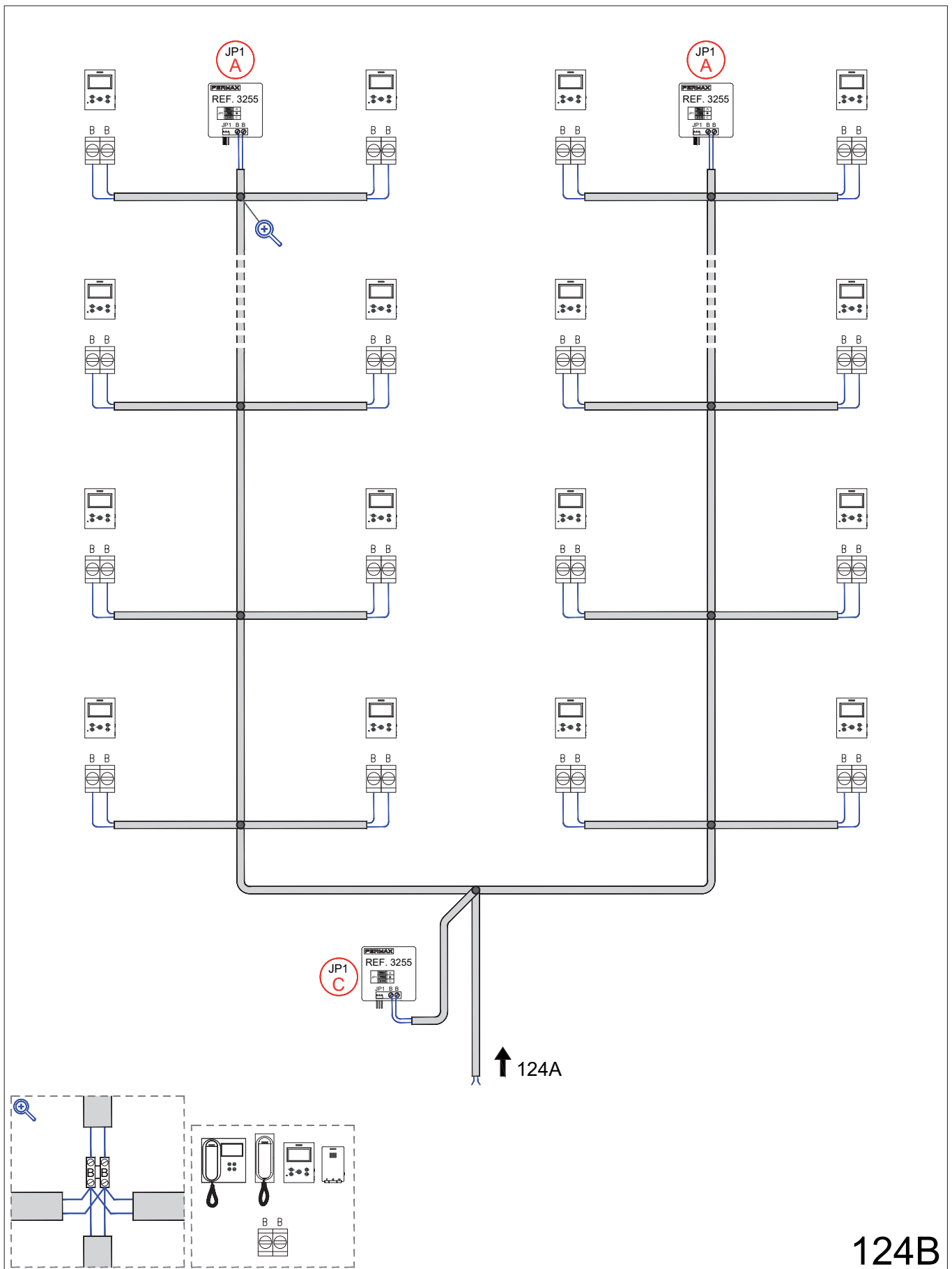
124A - WIRING DIAGRAM. Connection detail: Outdoor panels - 2S regenerator+Power supply - Line adapter.



124A

2 video accesses with 2 risers.  
Distribution 2 terminals per floor.

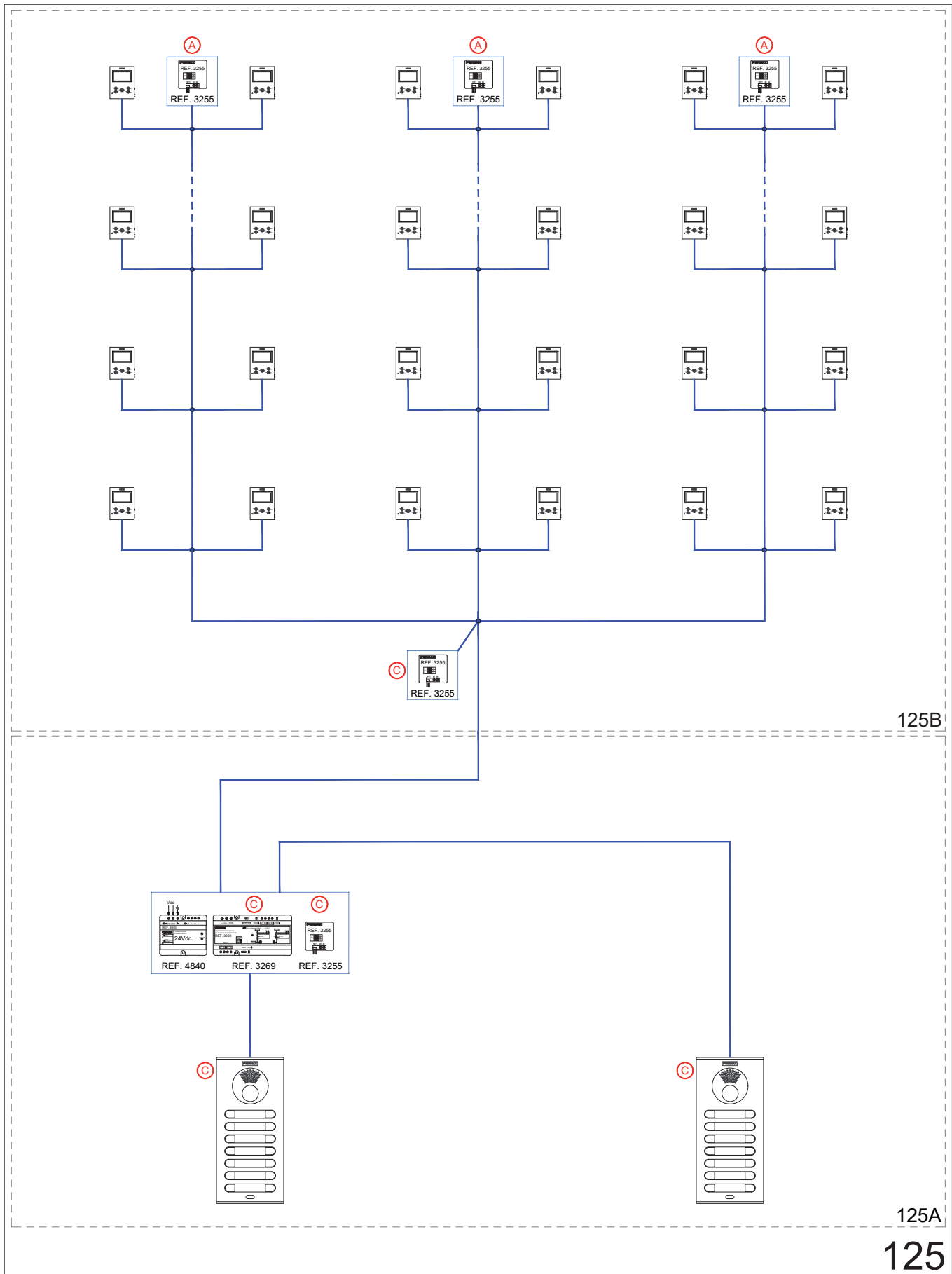
124B - WIRING DIAGRAM. Connection detail: Floors (Terminals - Line adapters).



124B

2 video accesses with 3 risers.  
 Distribution 2 terminals per floor.

125 - SINGLE-LINE DIAGRAM.



125B

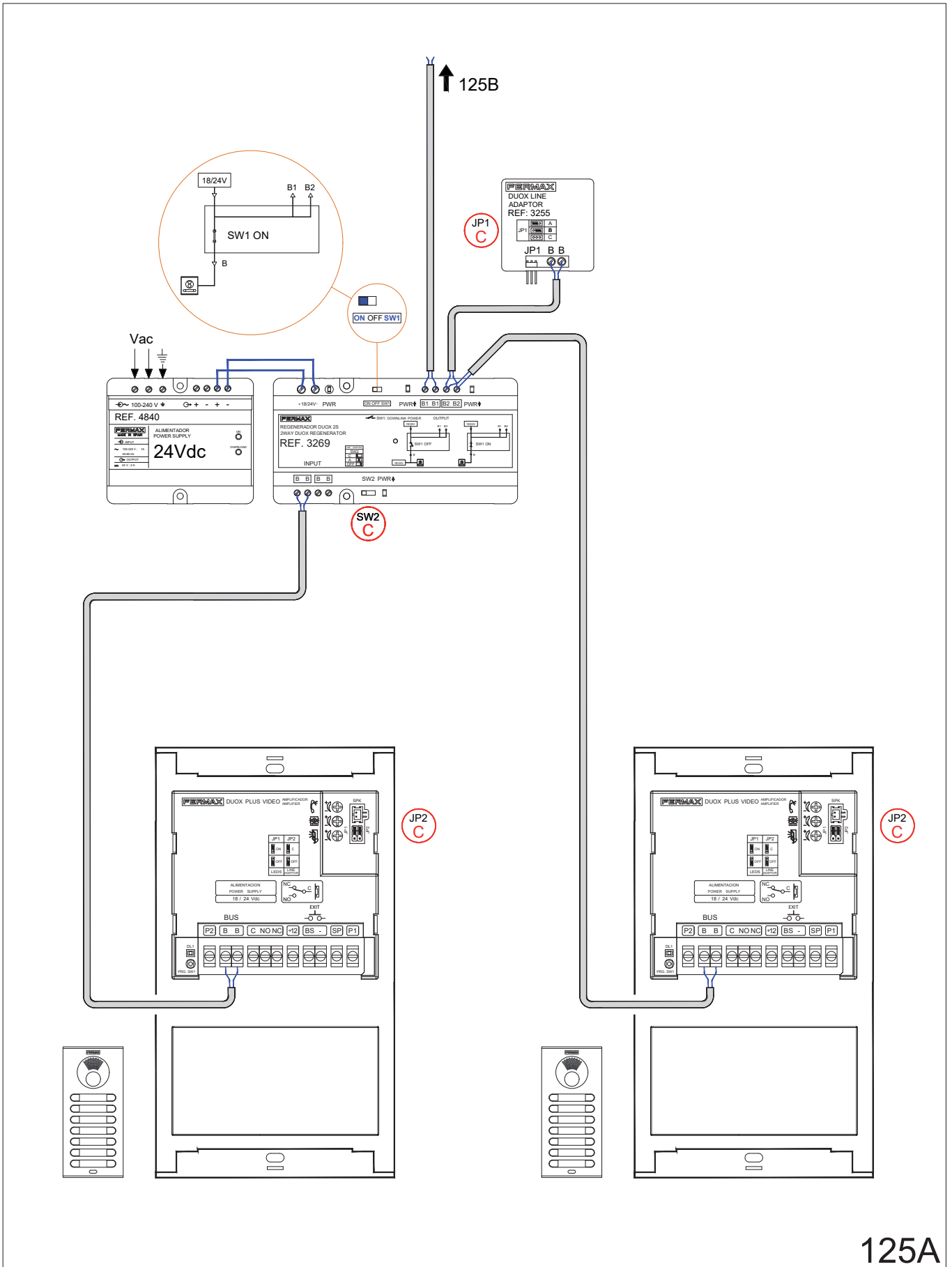
125A

125

2 video accesses with 3 risers.

Distribution 2 terminals per floor.

125A - WIRING DIAGRAM. Connection detail: Outdoor panels - 2S regenerator+Power supply - Line adapter.

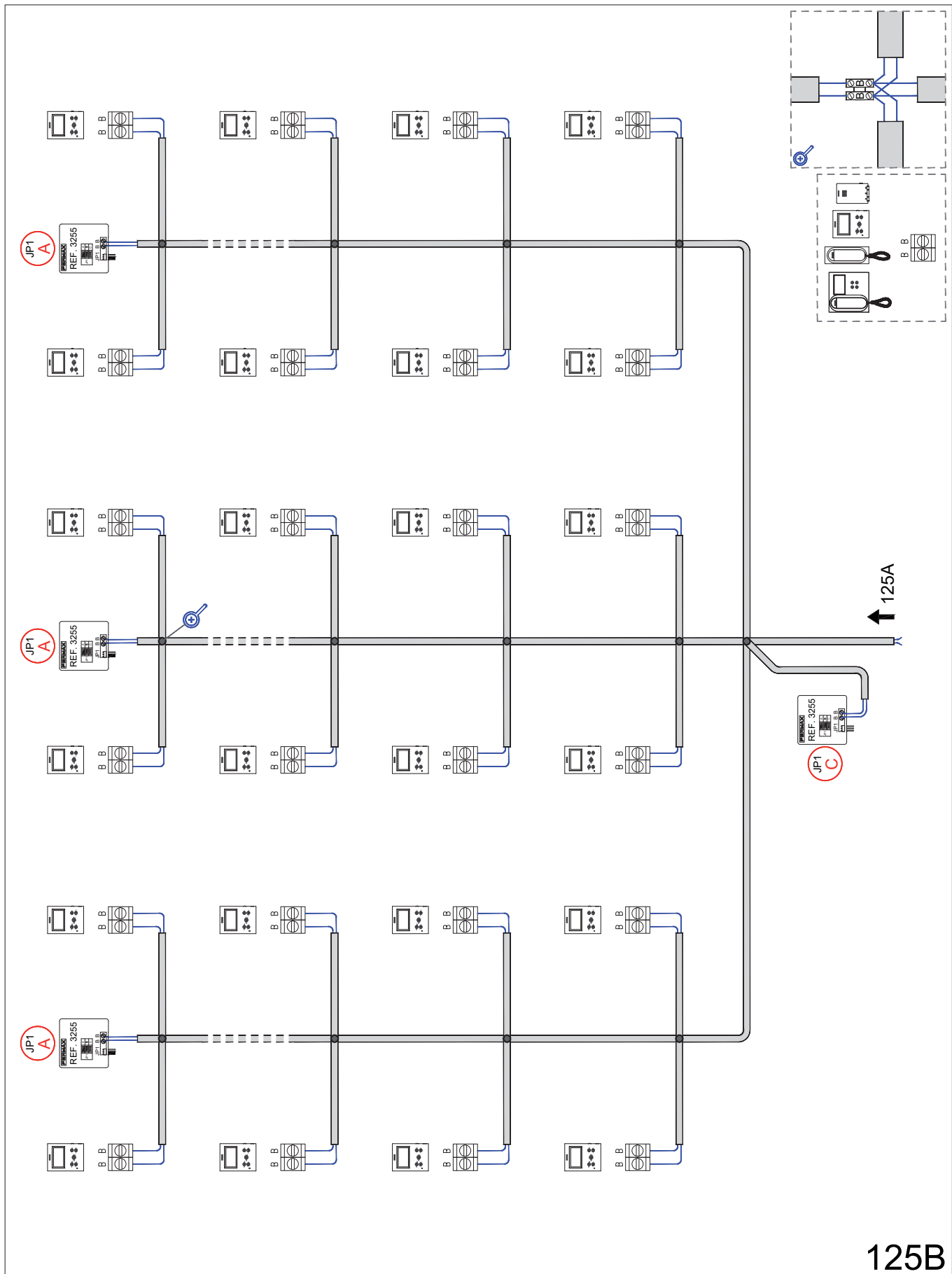


125A

2 video accesses with 3 risers.

Distribution 2 terminals per floor.

125B - WIRING DIAGRAM. Connection detail: Floors (Terminals - Line adapters).

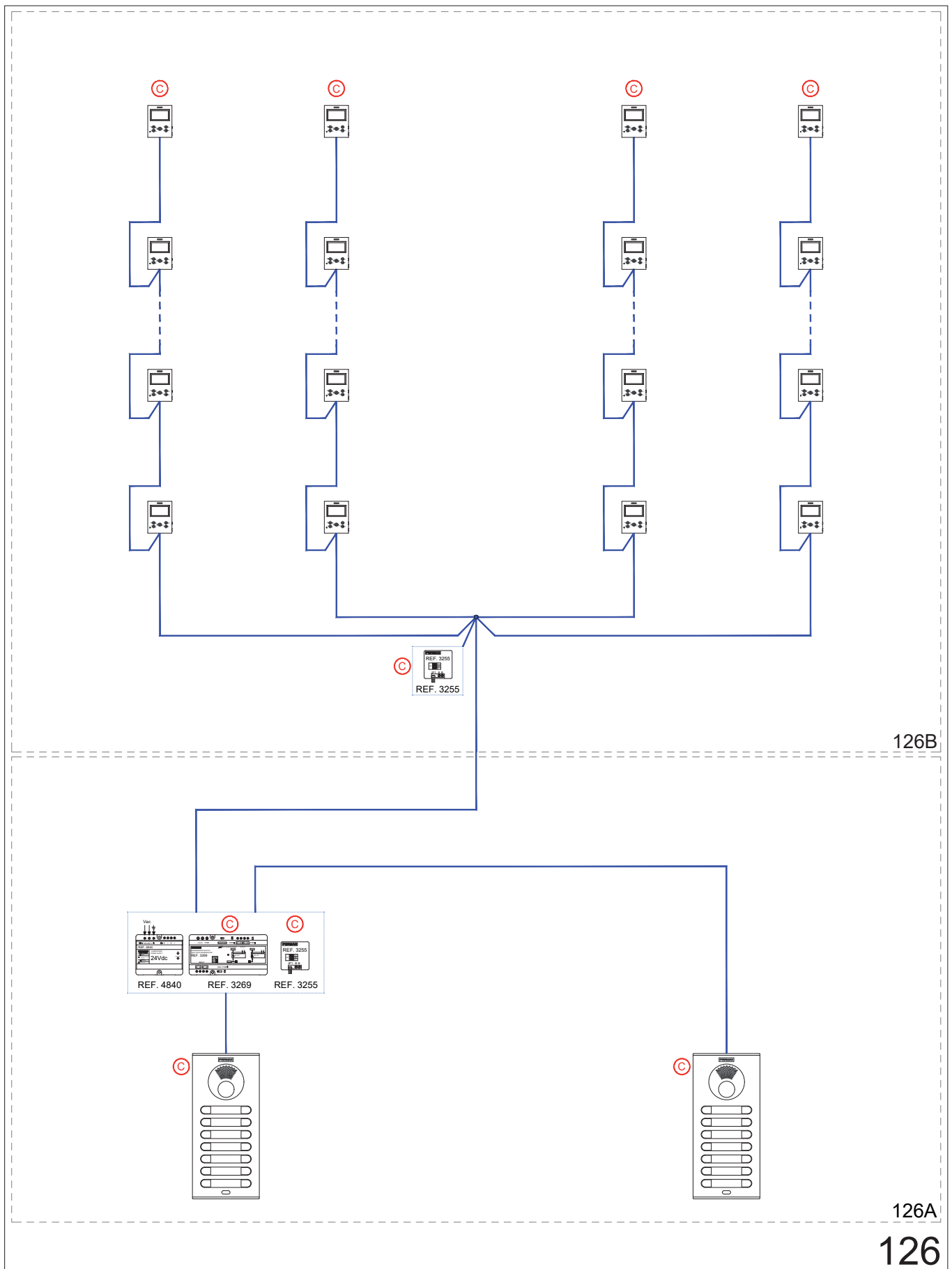


125B

2 video accesses with 4 risers.

Cascade.

126 - SINGLE-LINE DIAGRAM.

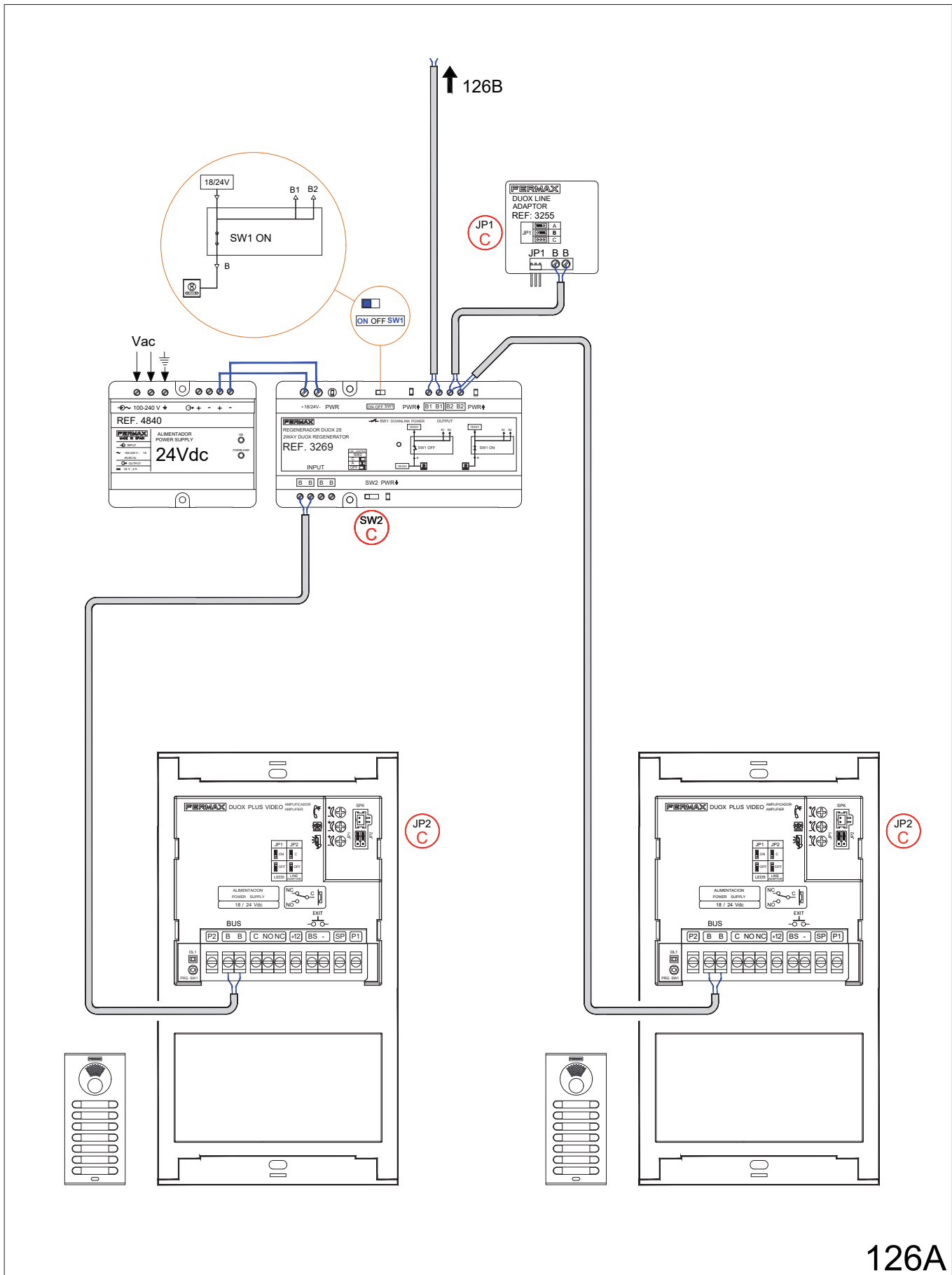


126A  
126

2 video accesses with 4 risers.

Cascade.

126A - WIRING DIAGRAM. Connection detail: Outdoor panels - 2S regenerator+Power supply - Line adapter.

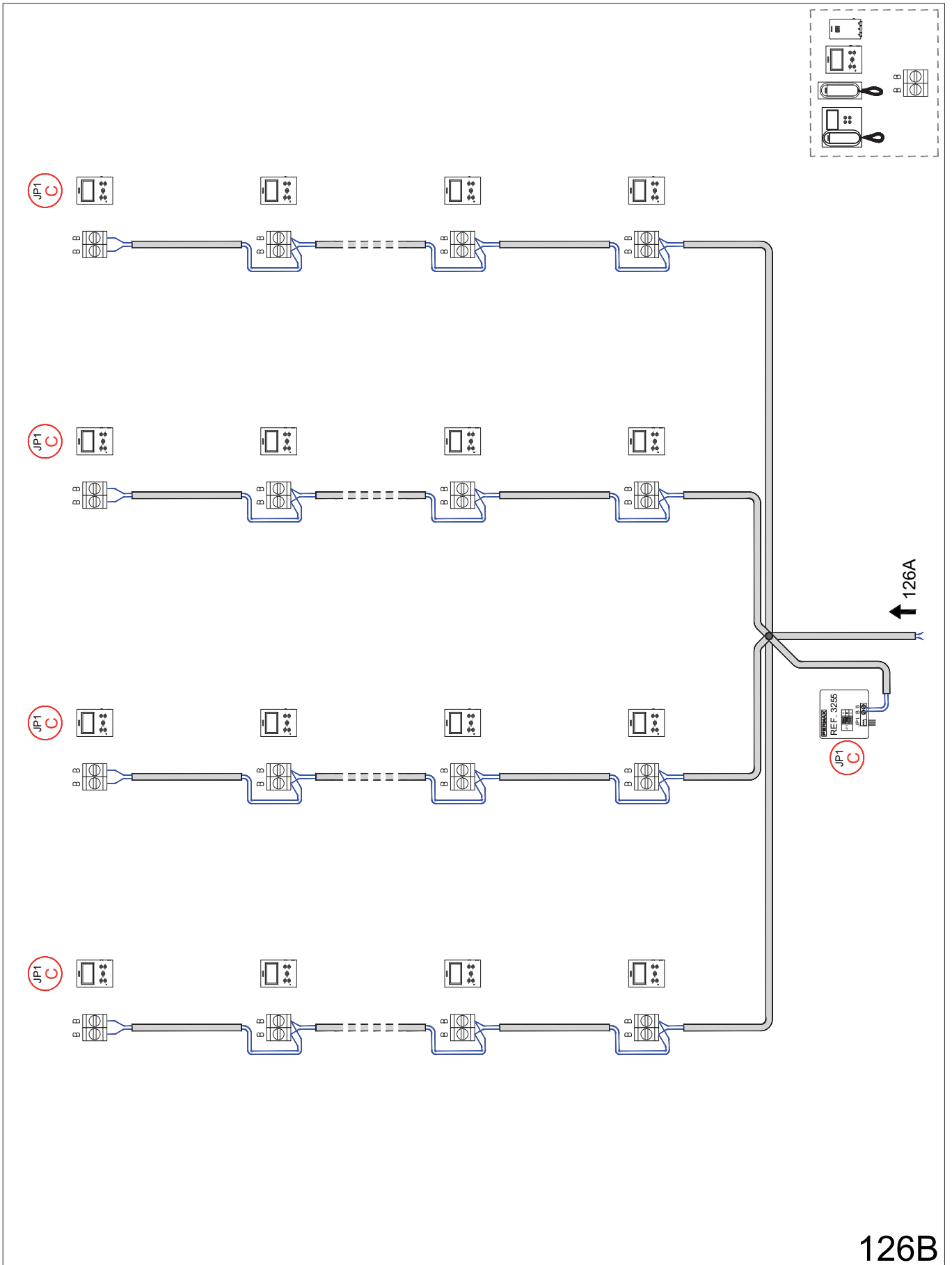


126A

2 video accesses with 4 risers.

Cascade.

126B - WIRING DIAGRAM. Connection detail: Connection detail: Floors (Terminals - Line adapter).

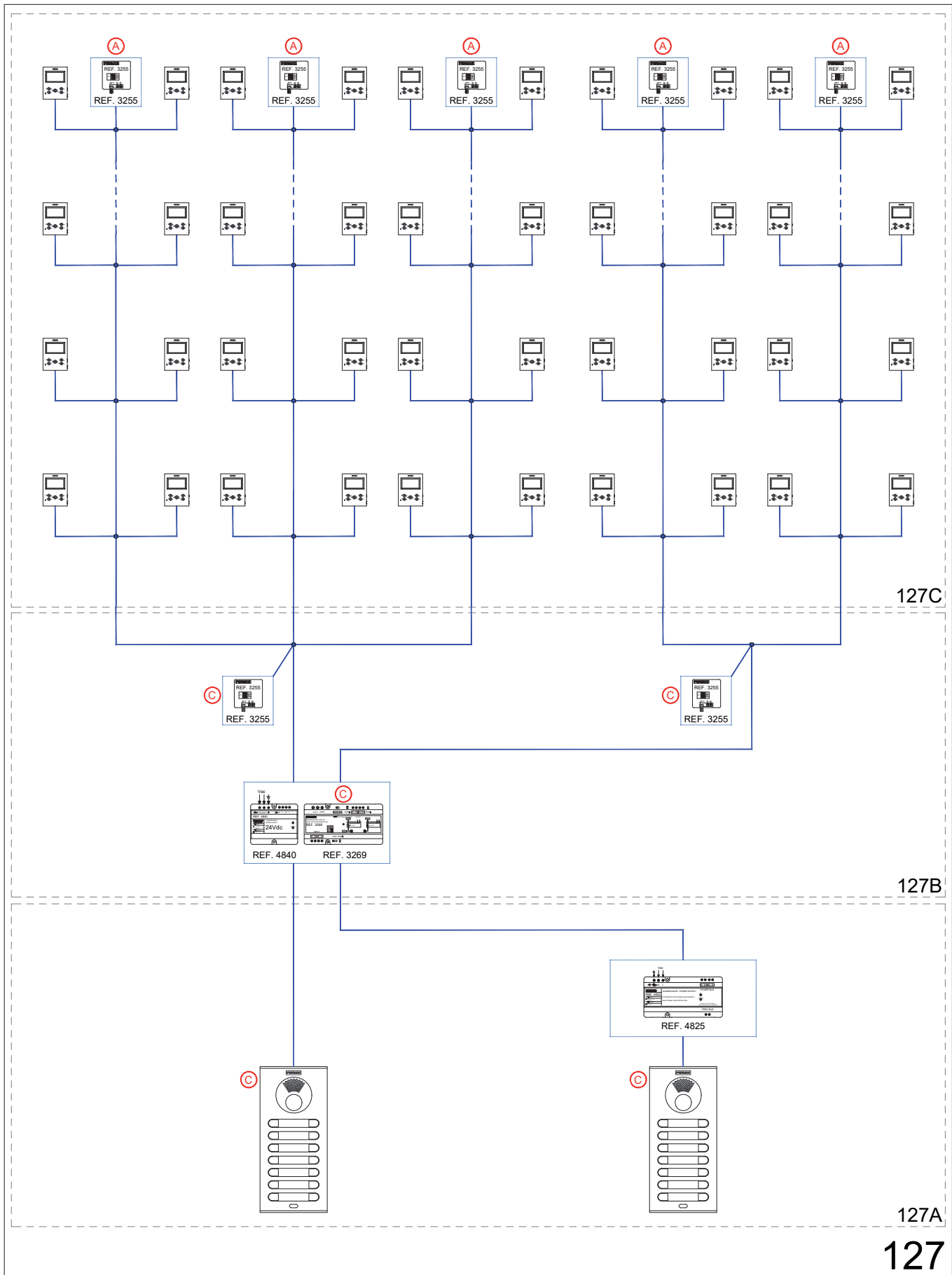


126B

2 video accesses with 5 risers.

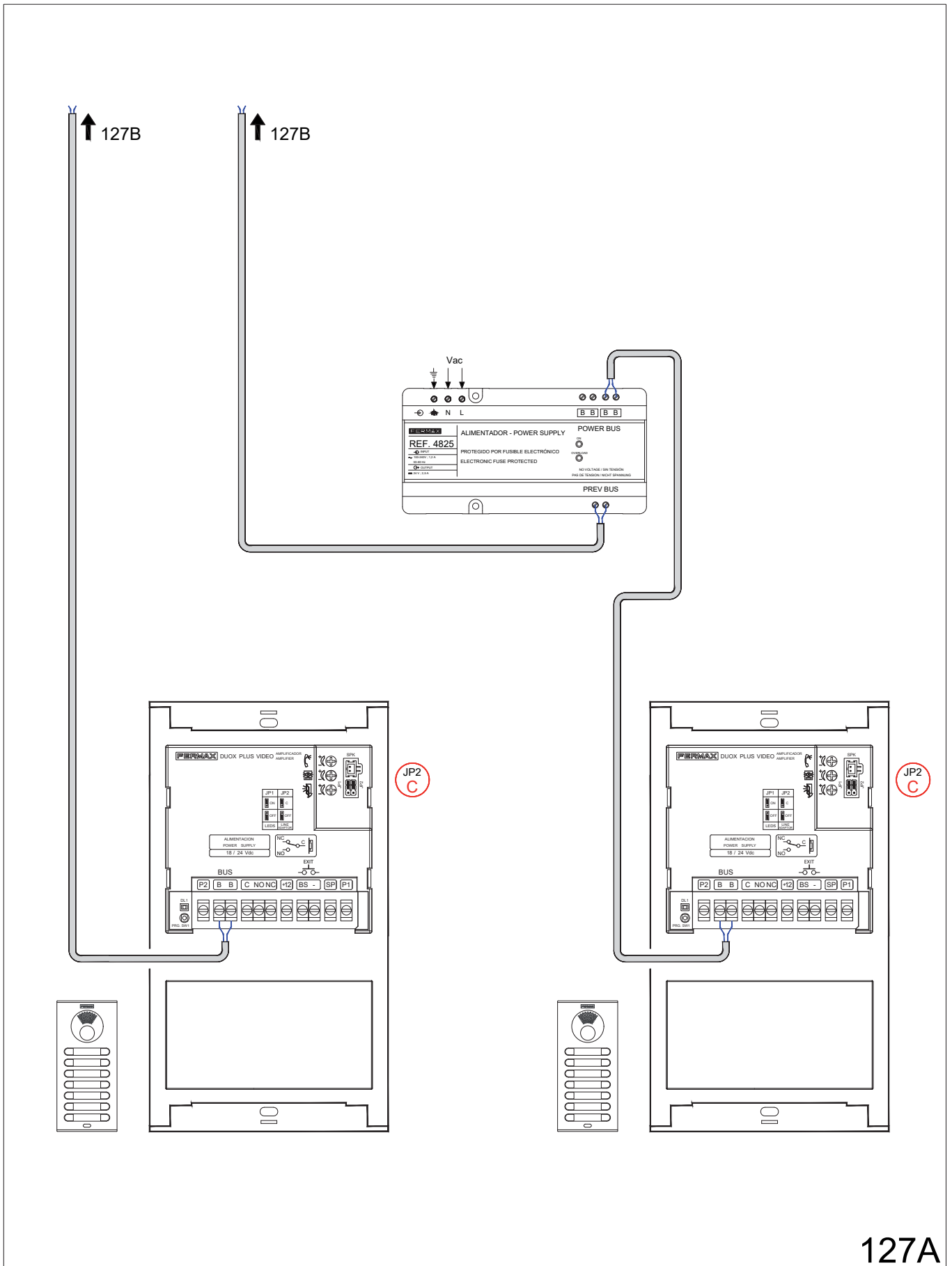
Distribution 2 terminals per floor.

127 - SINGLE-LINE DIAGRAM.



2 video accesses with 5 risers.  
 Distribution 2 terminals per floor.

127A - WIRING DIAGRAM. Connection detail: Outdoor panels - Power supply set.

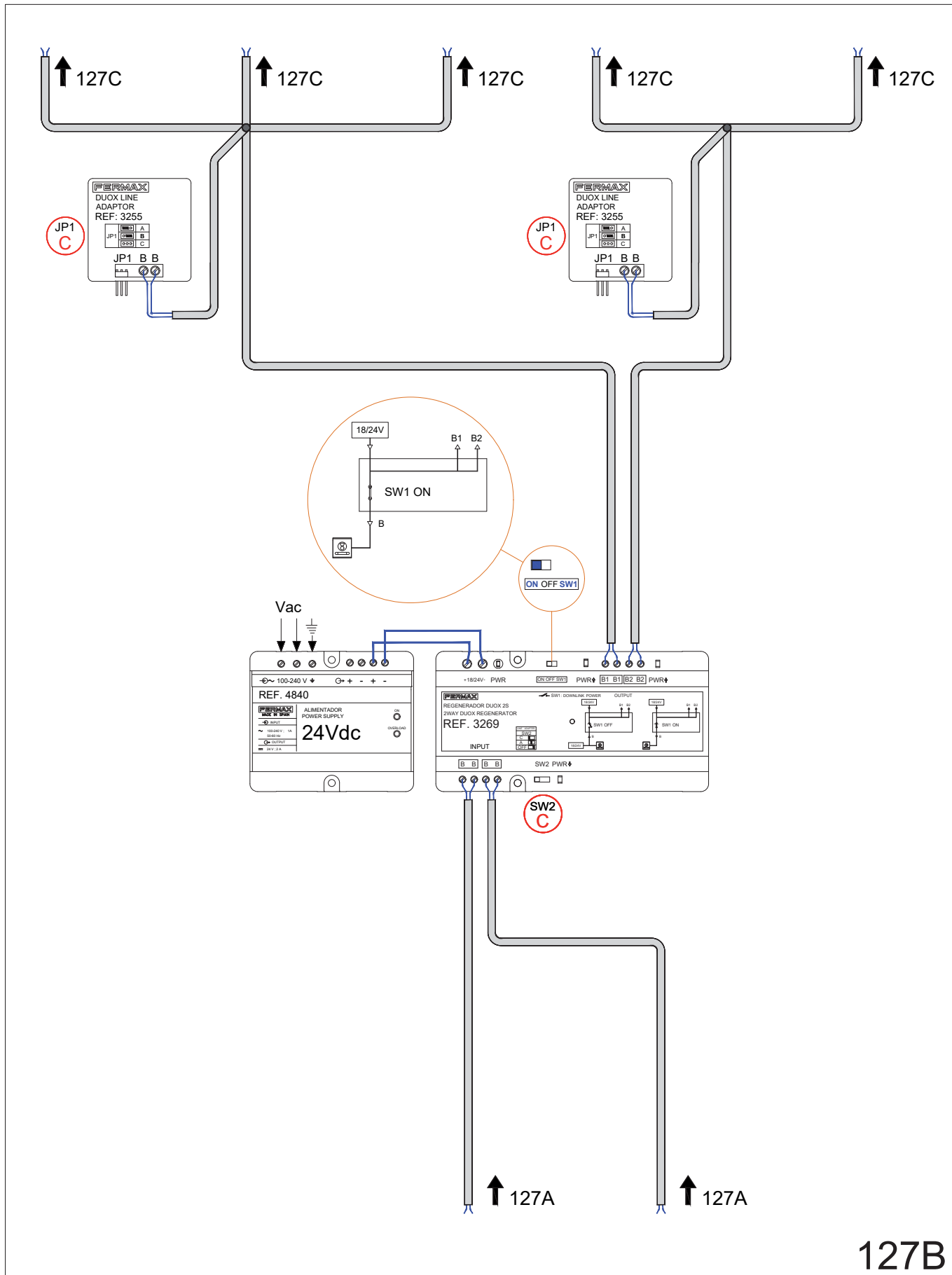


127A

2 video accesses with 5 risers.

Distribution 2 terminals per floor.

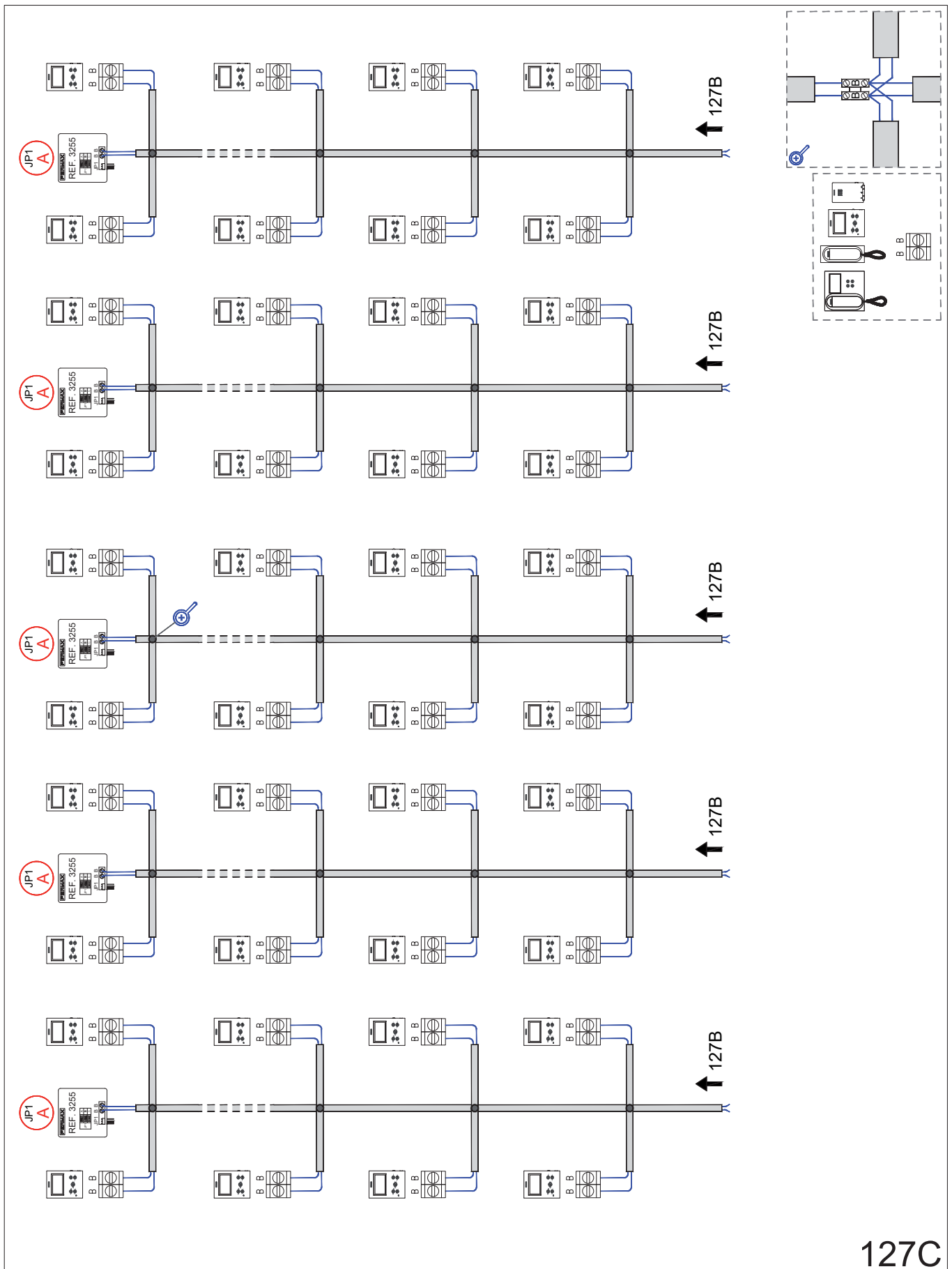
127B - WIRING DIAGRAM. Connection detail: 2S regenerator+Power supply - Line adapters.



127B

2 video accesses with 5 risers.  
 Distribution 2 terminals per floor.

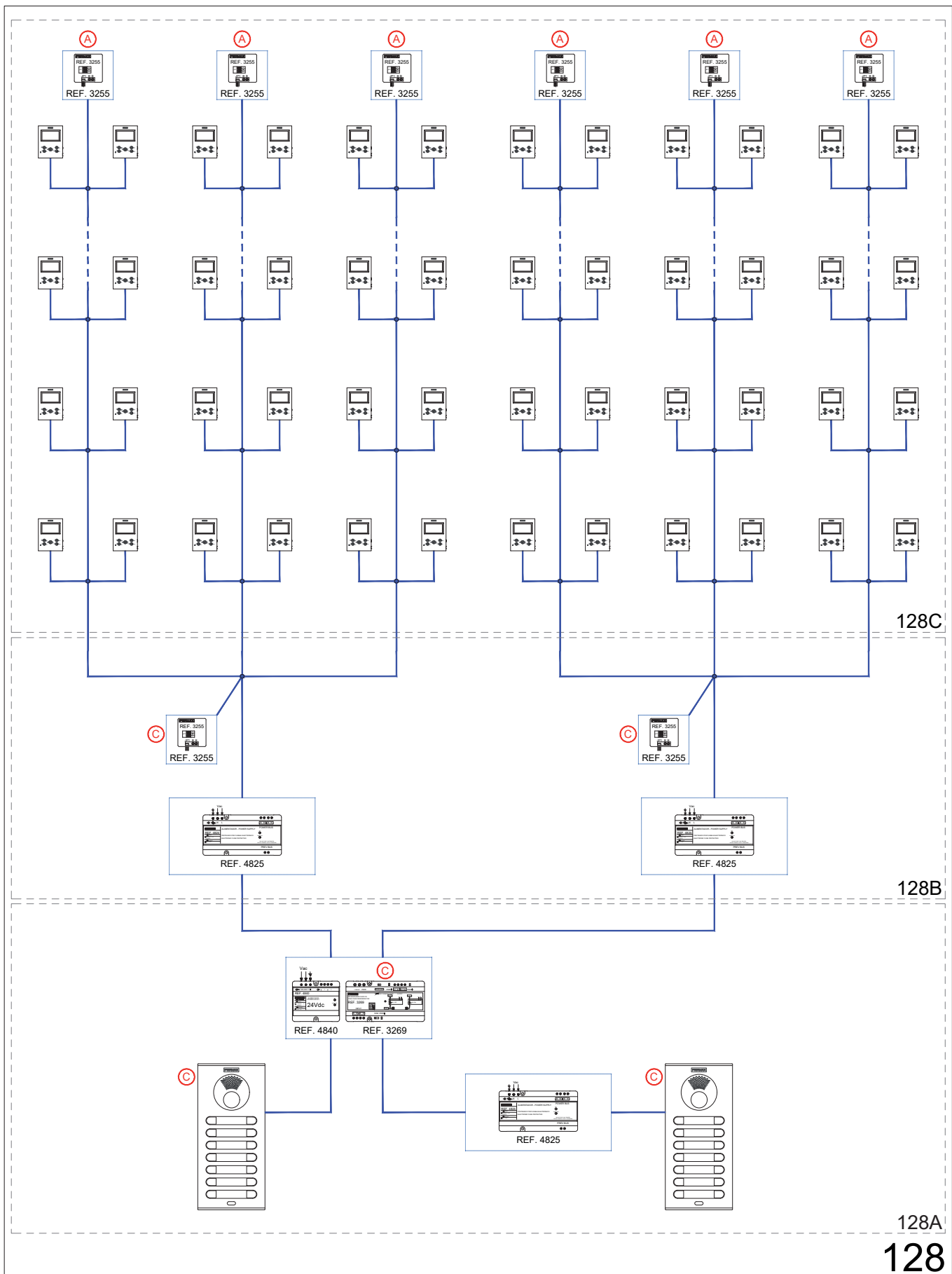
127C - WIRING DIAGRAM. Connection detail: Floors (Terminals - Line adapters).



127C

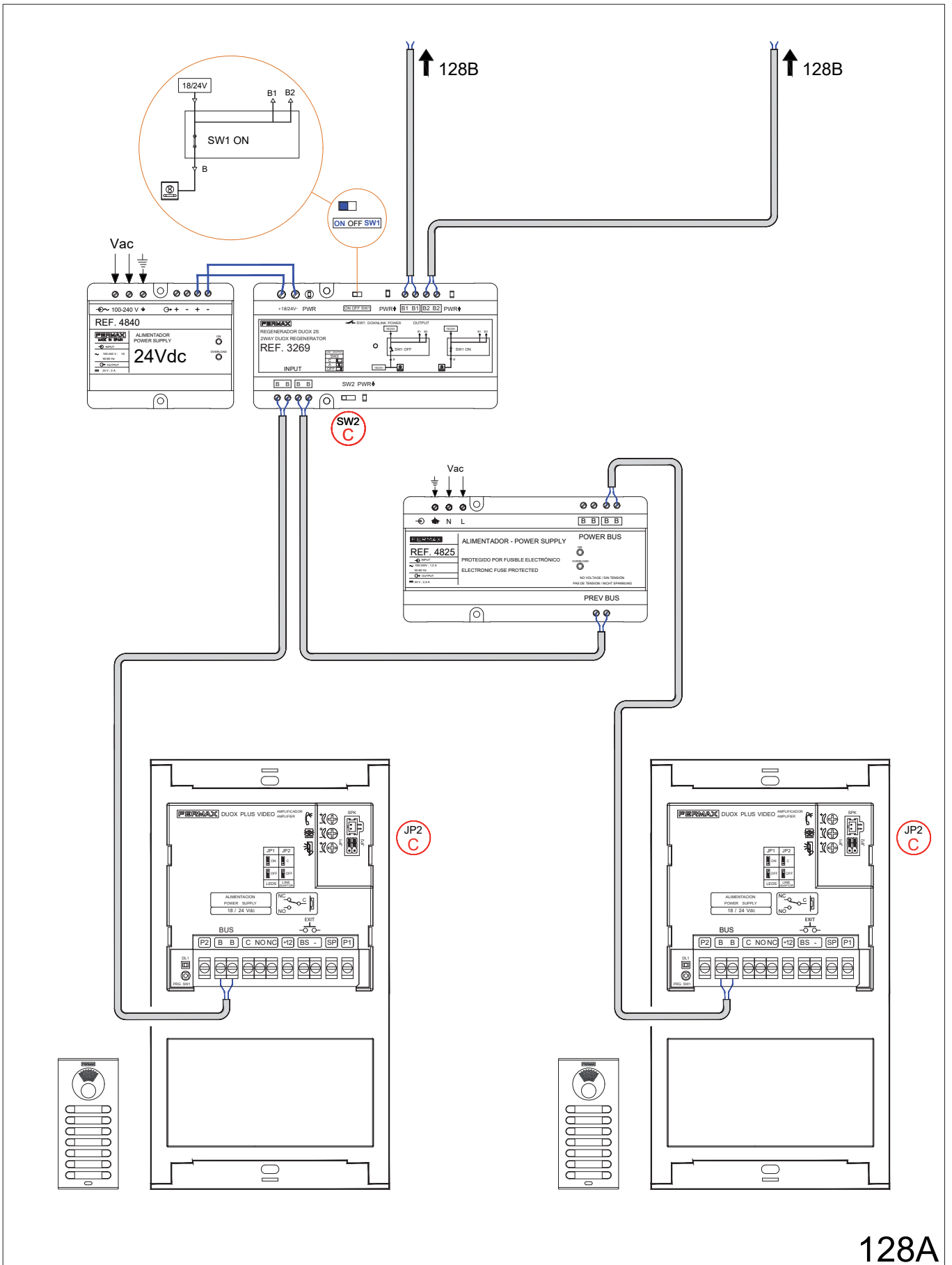
2 video accesses with 6 risers.  
 Distribution 2 terminals per floor.

128 - SINGLE-LINE DIAGRAM.



2 video accesses with 6 risers.  
Distribution 2 terminals per floor.

128A - WIRING DIAGRAM. Connection detail: Outdoor panels - Power supply set - 2S regenerator+Power supply.

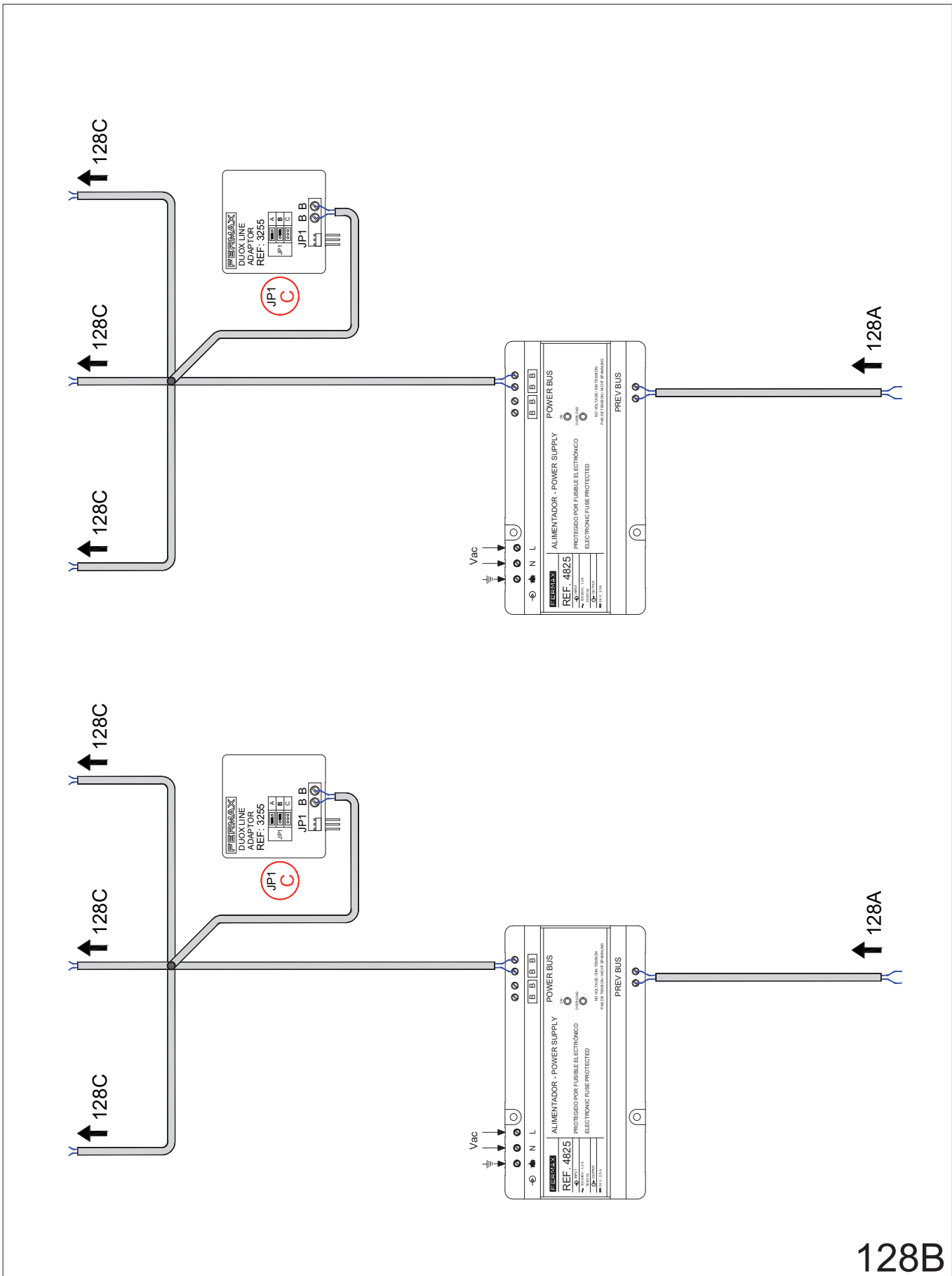


128A

2 video accesses with 6 risers.

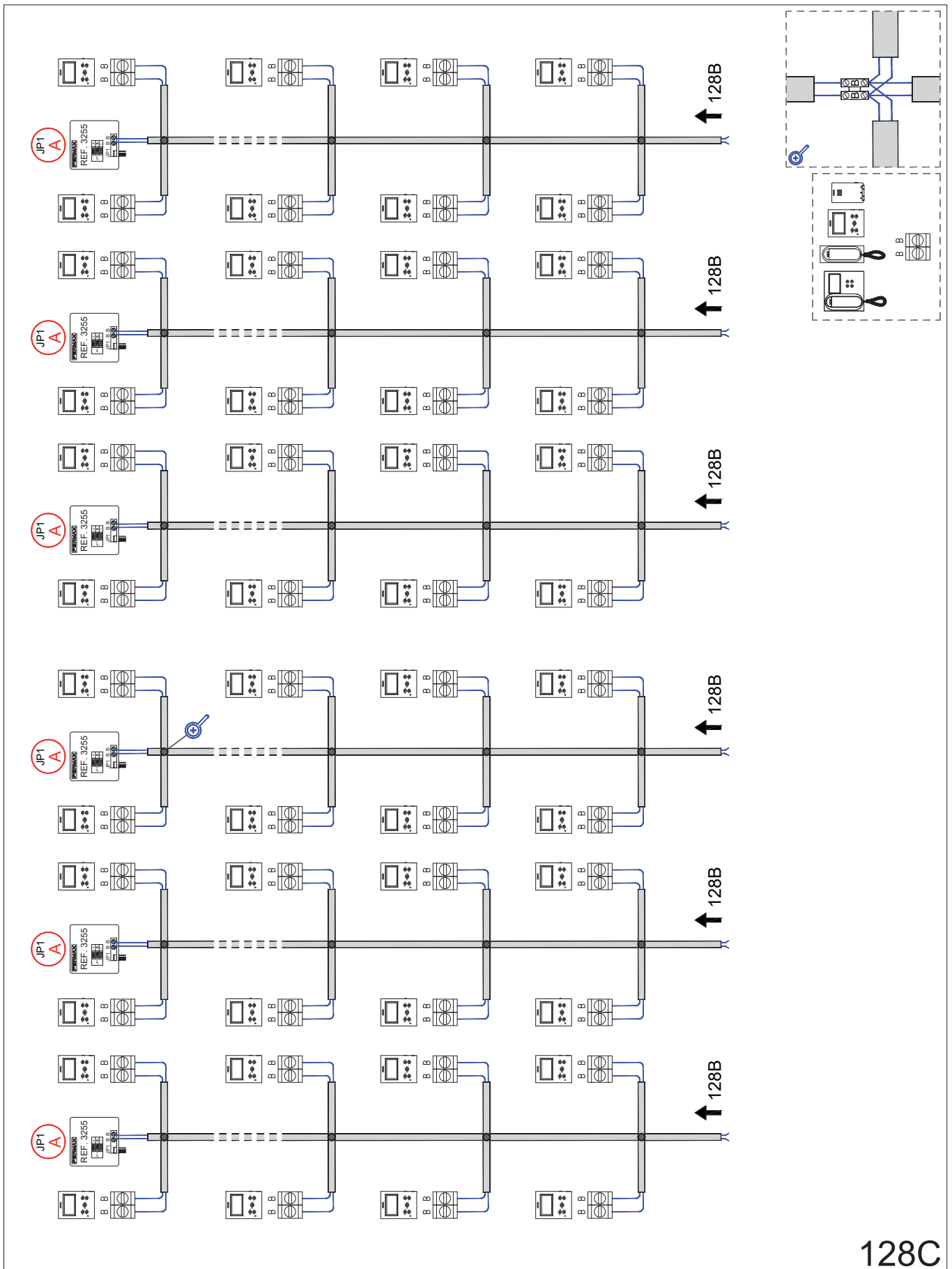
Distribution 2 terminals per floor.

128B - WIRING DIAGRAM. Connection detail: Power supply sets - Line adapters.



2 video accesses with 6 risers.  
Distribution 2 terminals per floor.

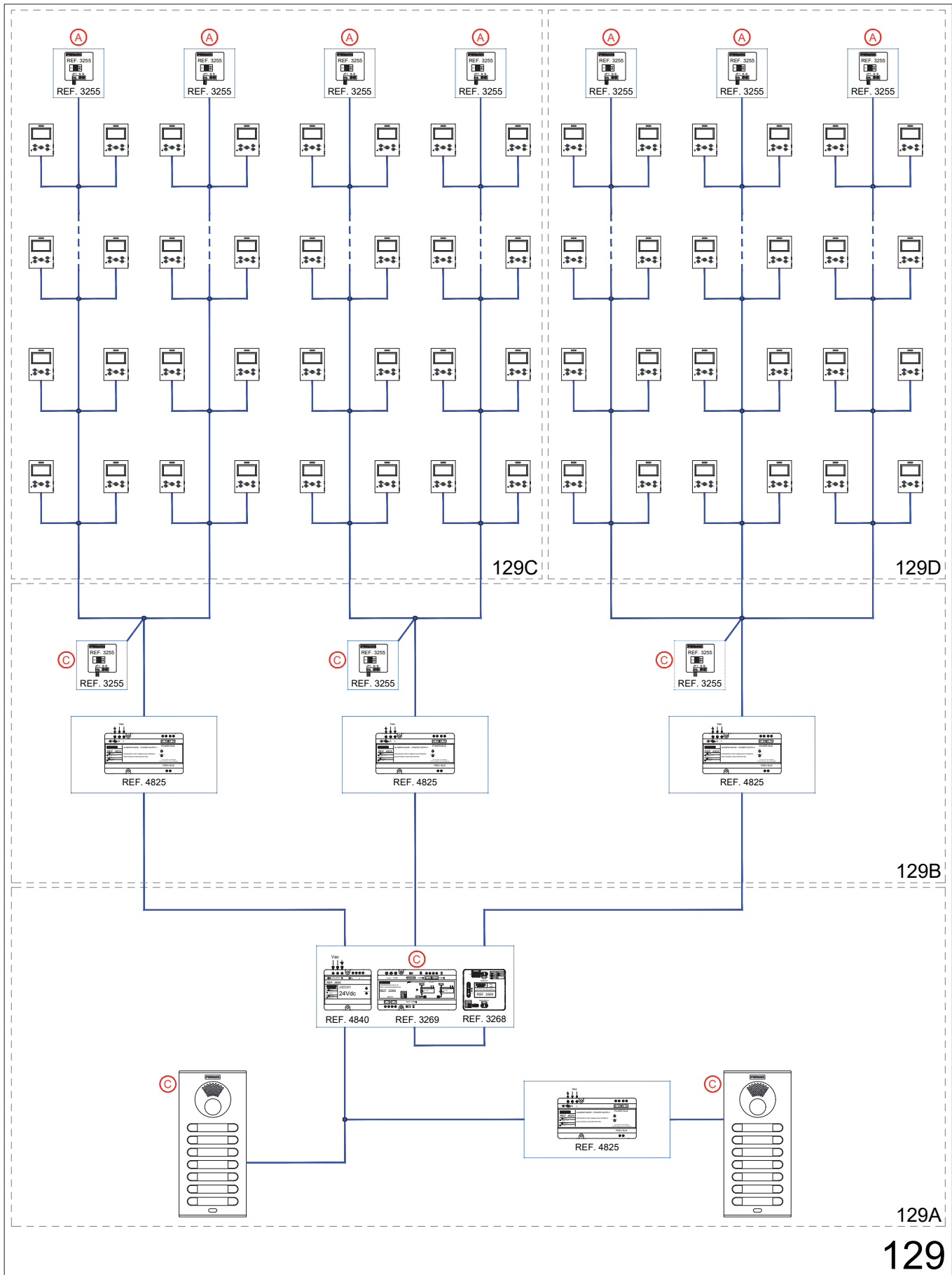
128C - WIRING DIAGRAM. Connection detail: Floors (Terminals - Line adapters).



128C

2 video accesses with 7 risers.  
 Distribution 2 terminals per floor.

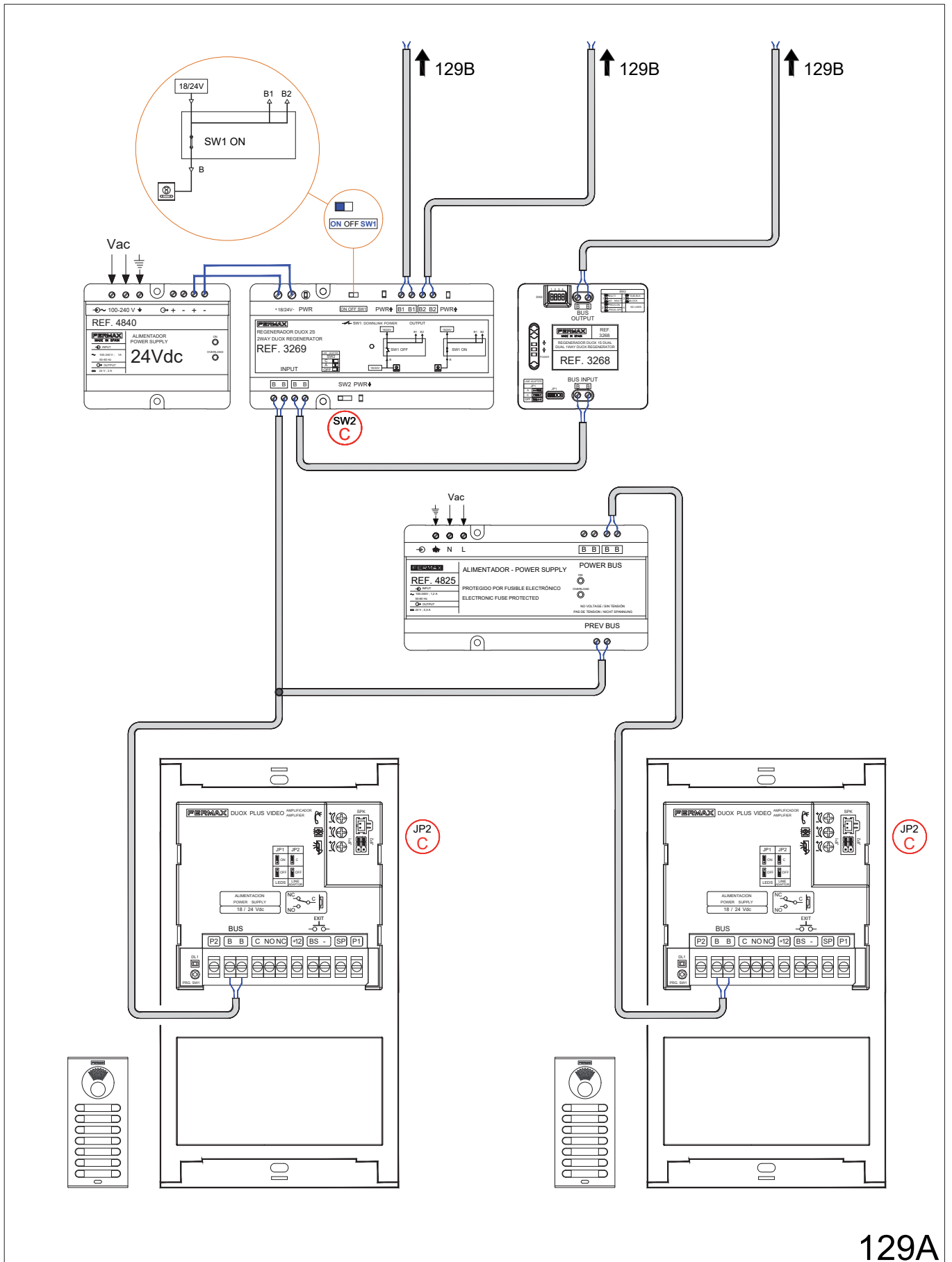
129 - SINGLE-LINE DIAGRAM.



2 video accesses with 7 risers.

Distribution 2 terminals per floor.

129A - WIRING DIAGRAM. Connection detail: Outdoor panels - Power supply set - 2S regenerator+Power supply - 1S regenerator.

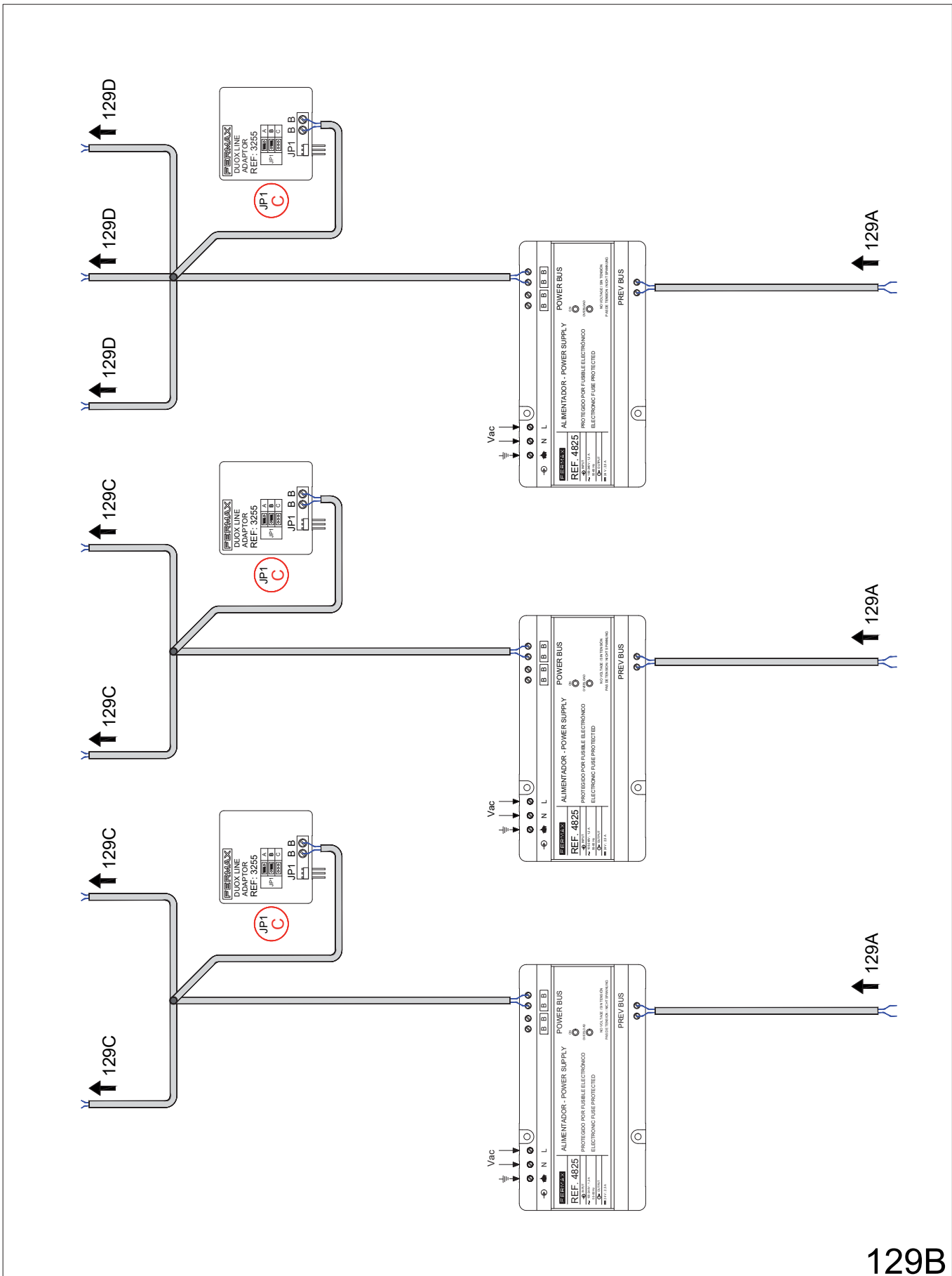


129A

2 video accesses with 7 risers.

Distribution 2 terminals per floor.

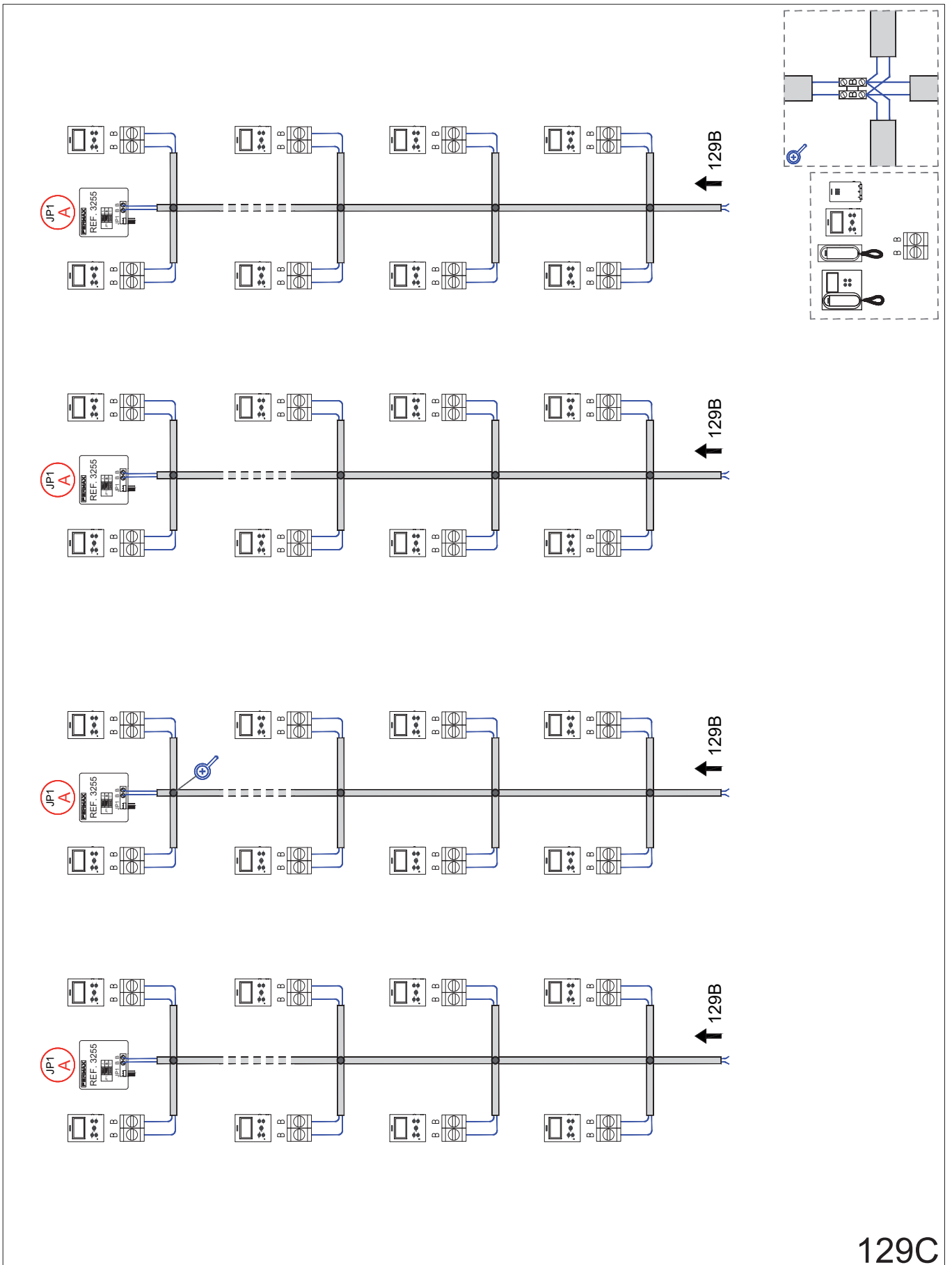
129B - WIRING DIAGRAM. Connection detail: Power supply sets - Line adapters.



129B

2 video accesses with 7 risers.  
Distribution 2 terminals per floor.

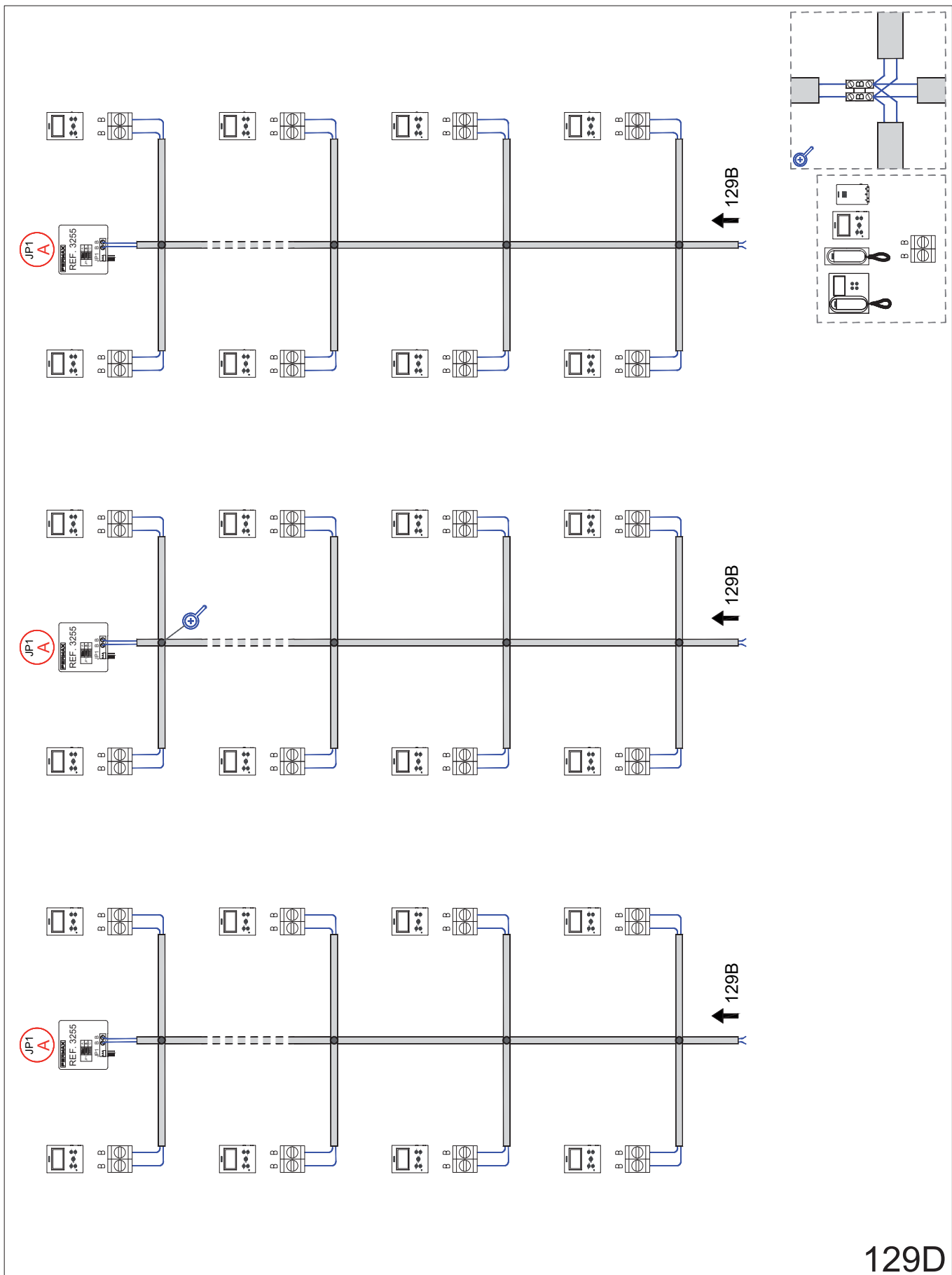
129C - WIRING DIAGRAM. Connection detail: Floors (Terminals - Line adapters).



2 video accesses with 7 risers.

Distribution 2 terminals per floor.

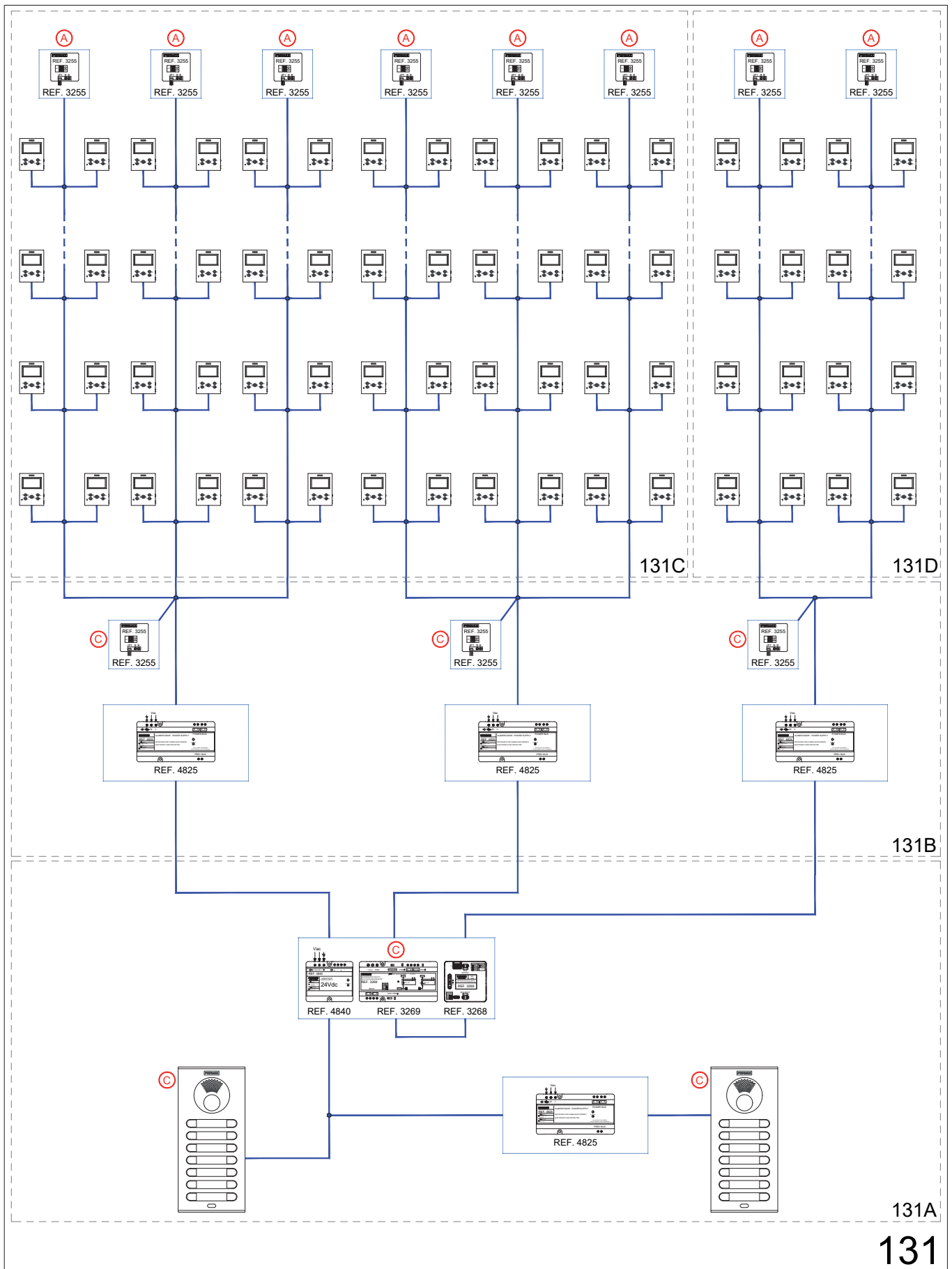
129D - WIRING DIAGRAM. Connection detail: Floors (Terminals - Line adapters).



129D

2 video accesses with 8 risers.  
 Distribution 2 terminals per floor.

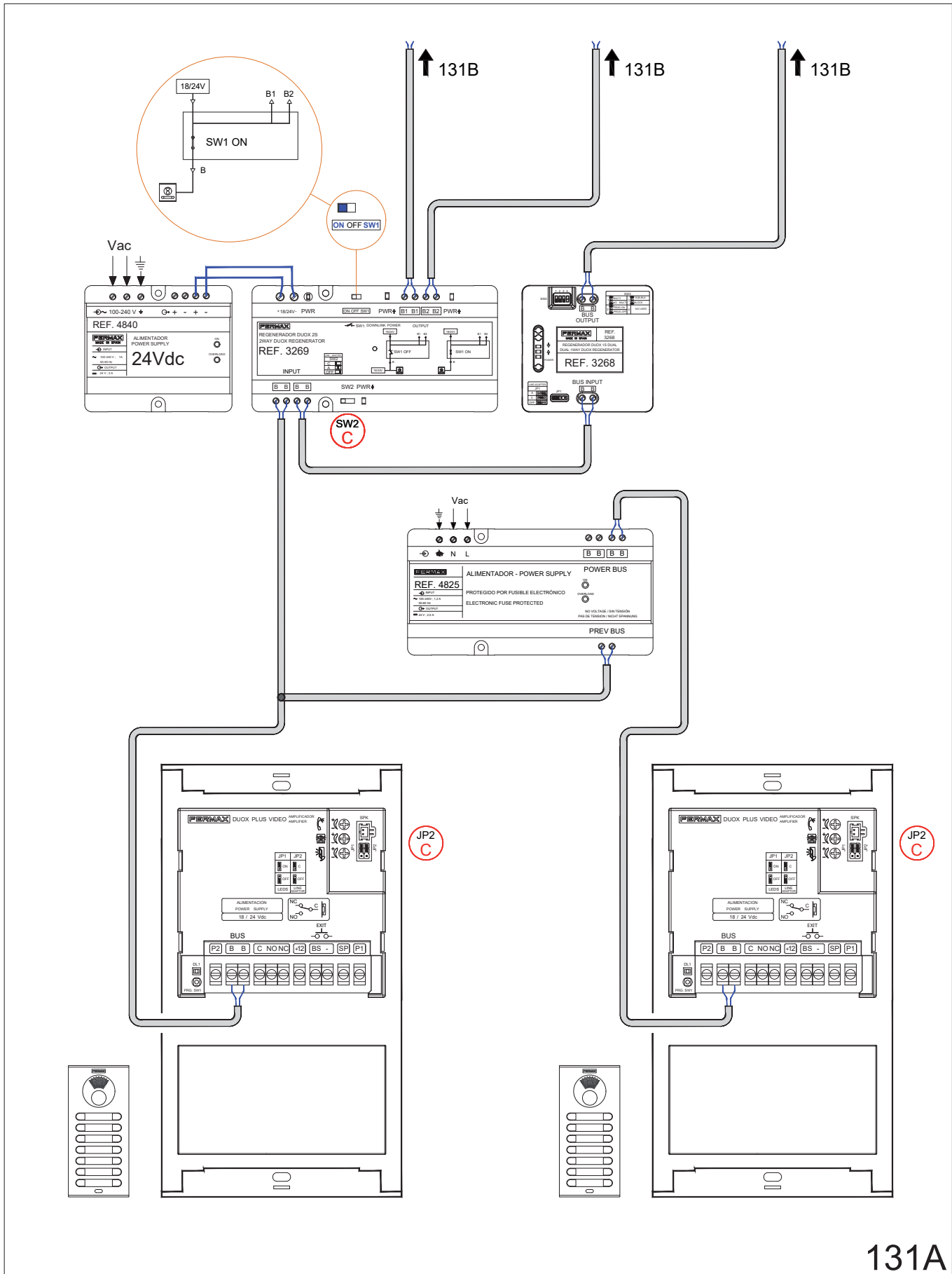
131 - SINGLE-LINE DIAGRAM.



2 video accesses with 8 risers.

Distribution 2 terminals per floor.

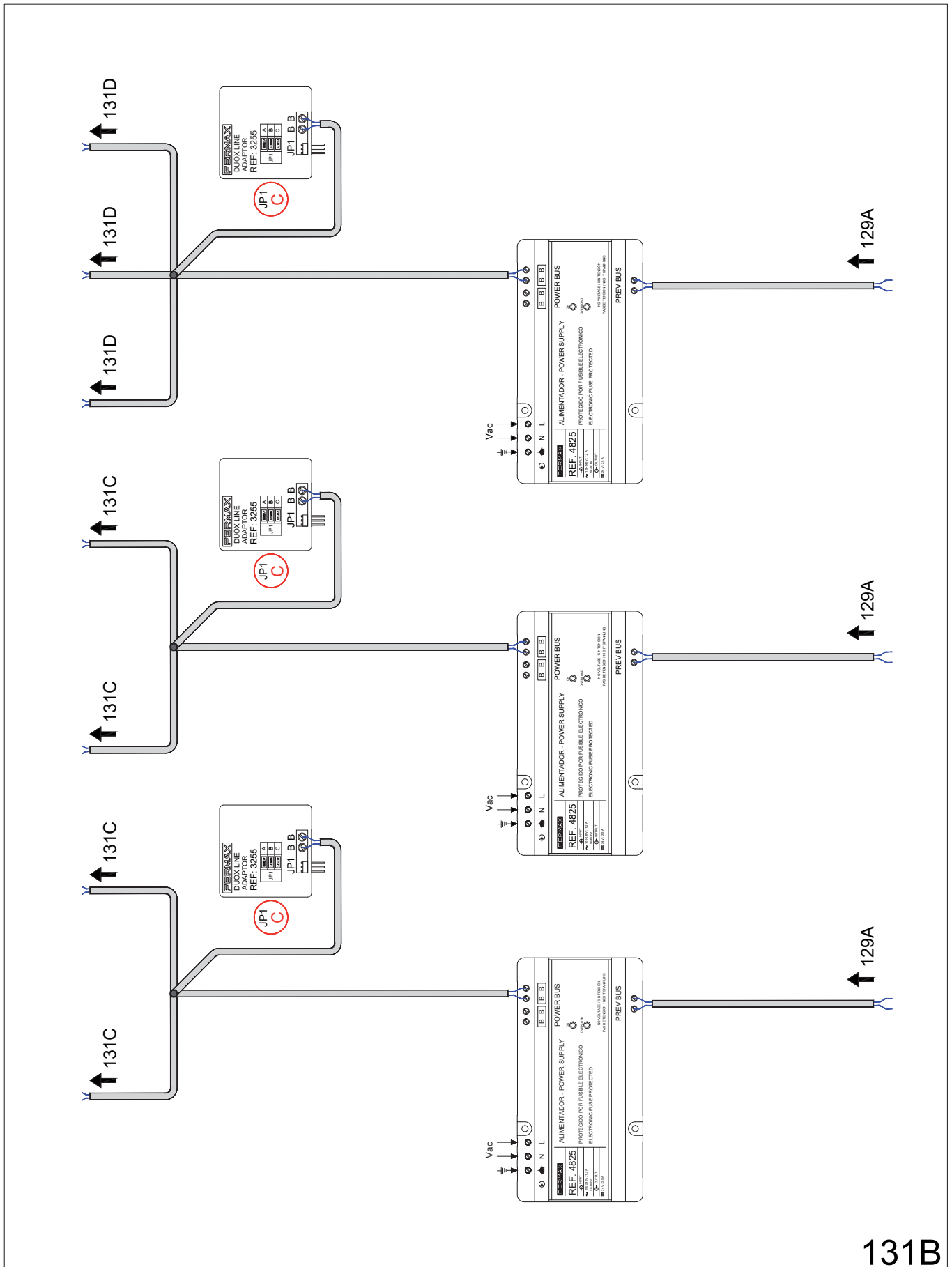
131A - WIRING DIAGRAM. Connection detail: Outdoor panels - Power supply set - 2S regenerator+Power supply - 1S regenerator.



131A

2 video accesses with 8 risers.  
 Distribution 2 terminals per floor.

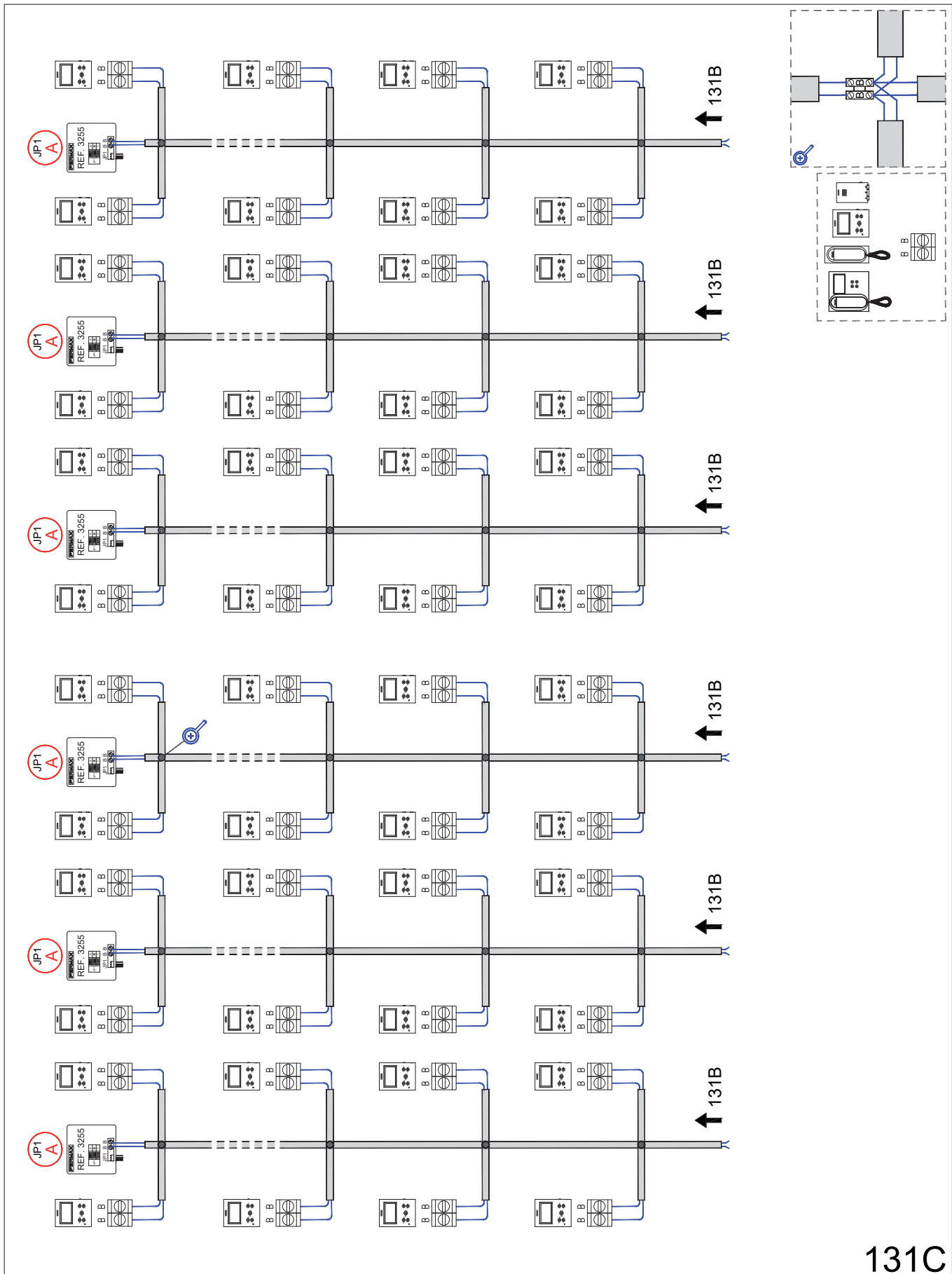
131B - WIRING DIAGRAM. Connection detail: Power supply sets - Line adapters.



2 video accesses with 8 risers.

Distribution 2 terminals per floor.

131C - WIRING DIAGRAM. Connection detail: Floors (Terminals - Line adapters).

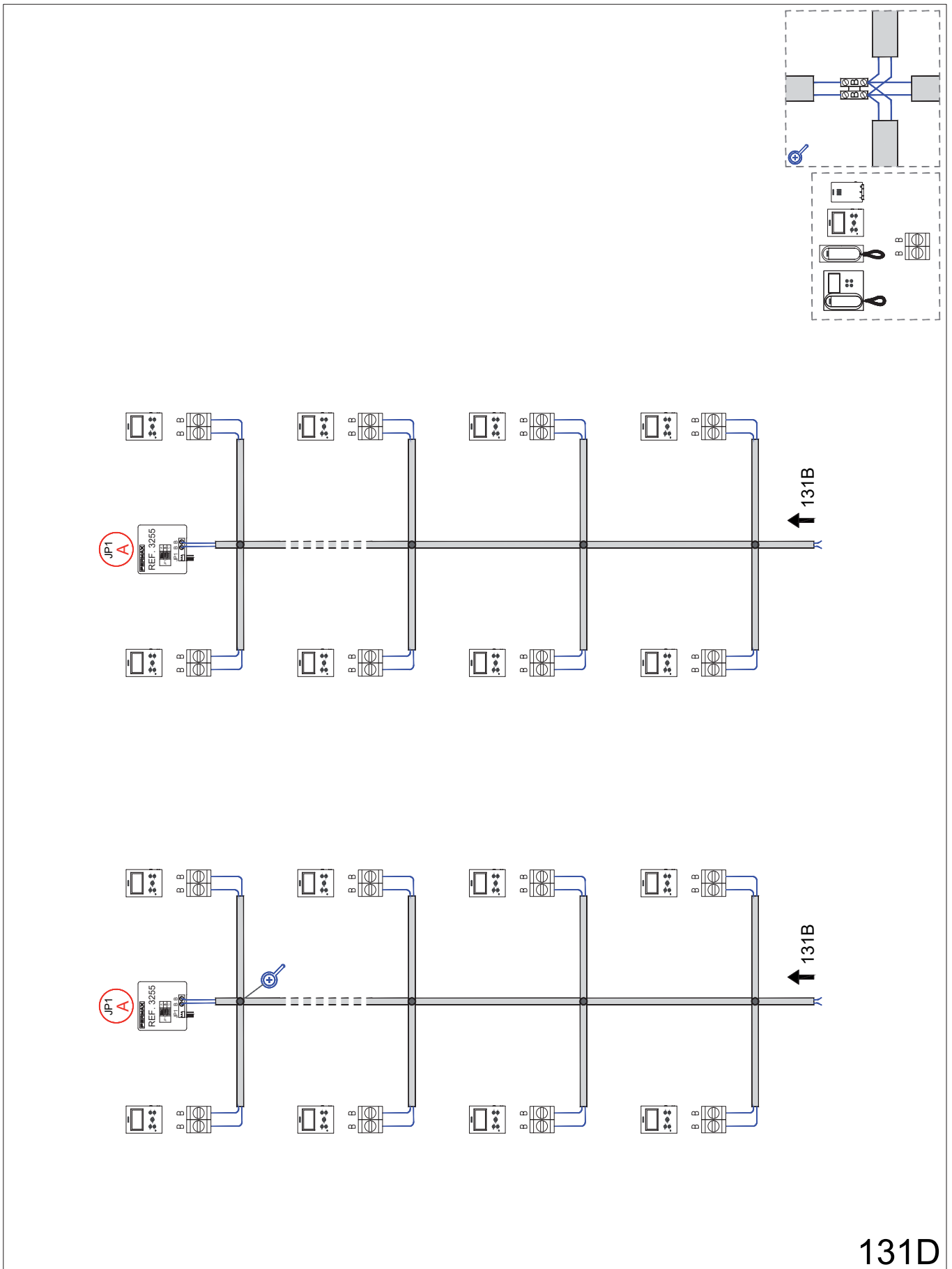


131C

2 video accesses with 8 risers.

Distribution 2 terminals per floor.

131D - WIRING DIAGRAM. Connection detail: Floors (Terminals - Line adapters).



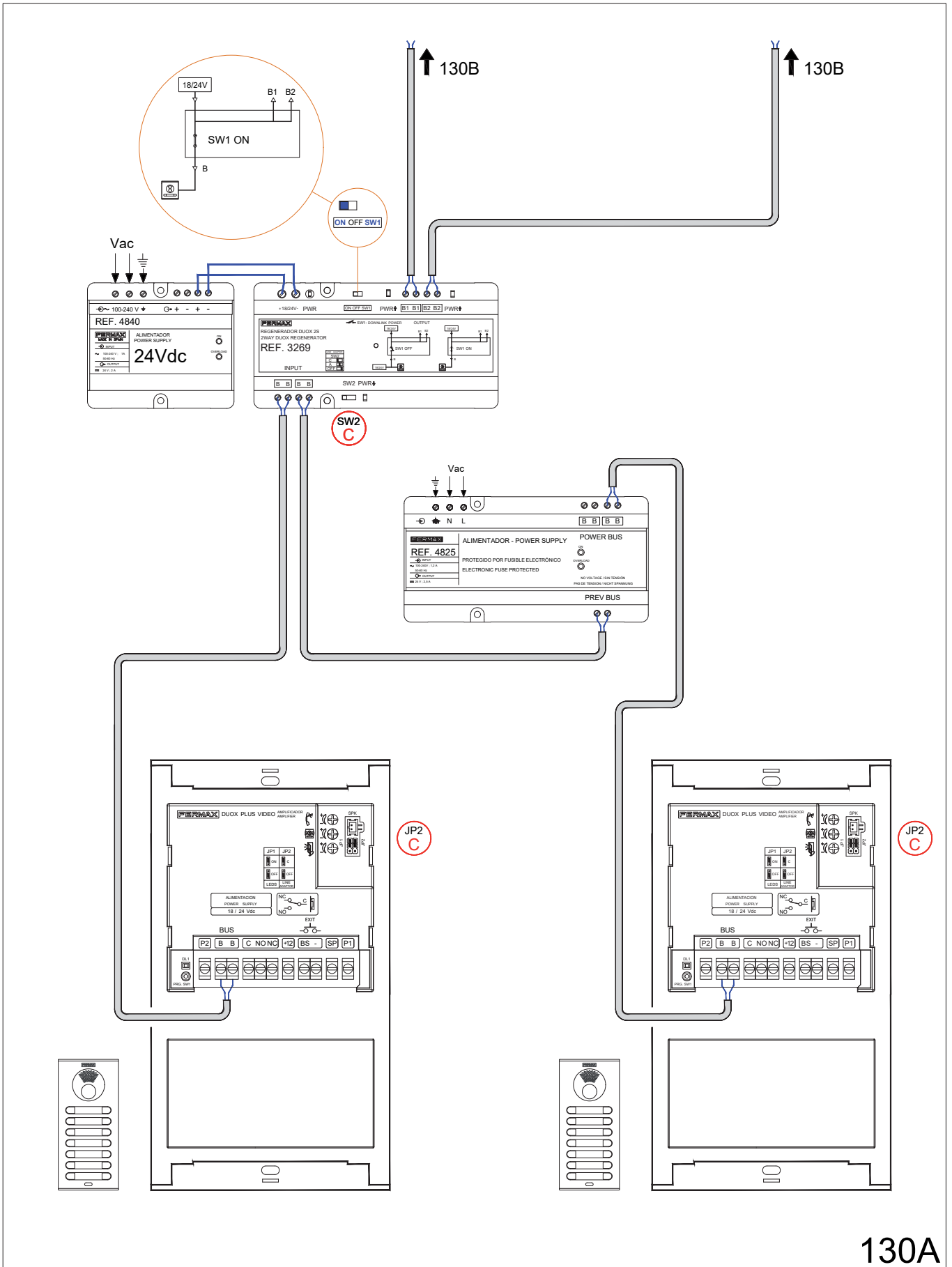
131D



2 video accesses with 8 risers.

Cascade.

130A - WIRING DIAGRAM. Connection detail: Outdoor panels - Power supply set - 2S regenerator+Power supply.

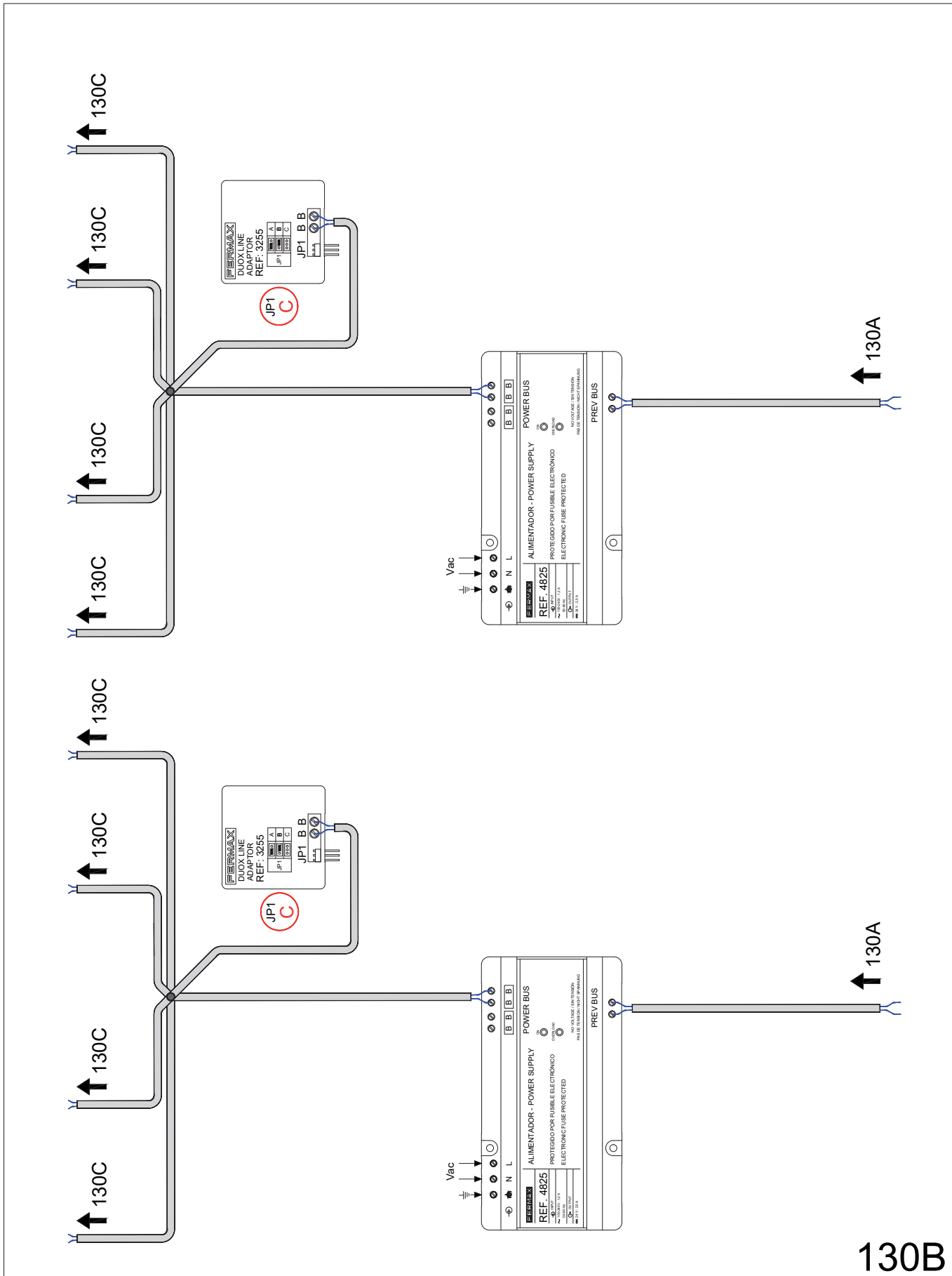


130A

2 video accesses with 8 risers.

Cascade.

130B - WIRING DIAGRAM. Connection detail: Power supply sets - Line adapters.

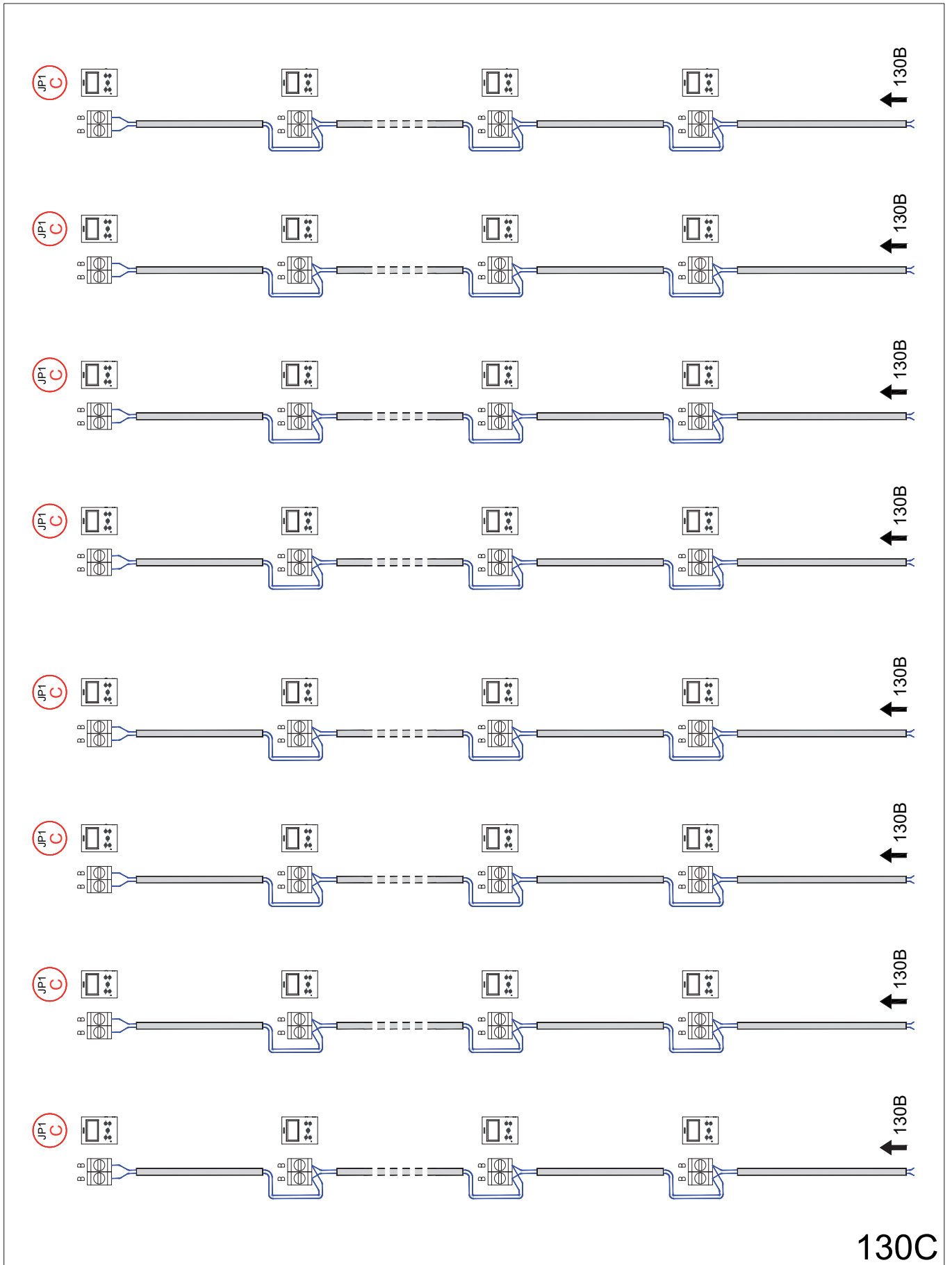


130B

2 video accesses with 8 risers.

Cascade.

130C - WIRING DIAGRAM. Connection detail: Floors (Terminals).

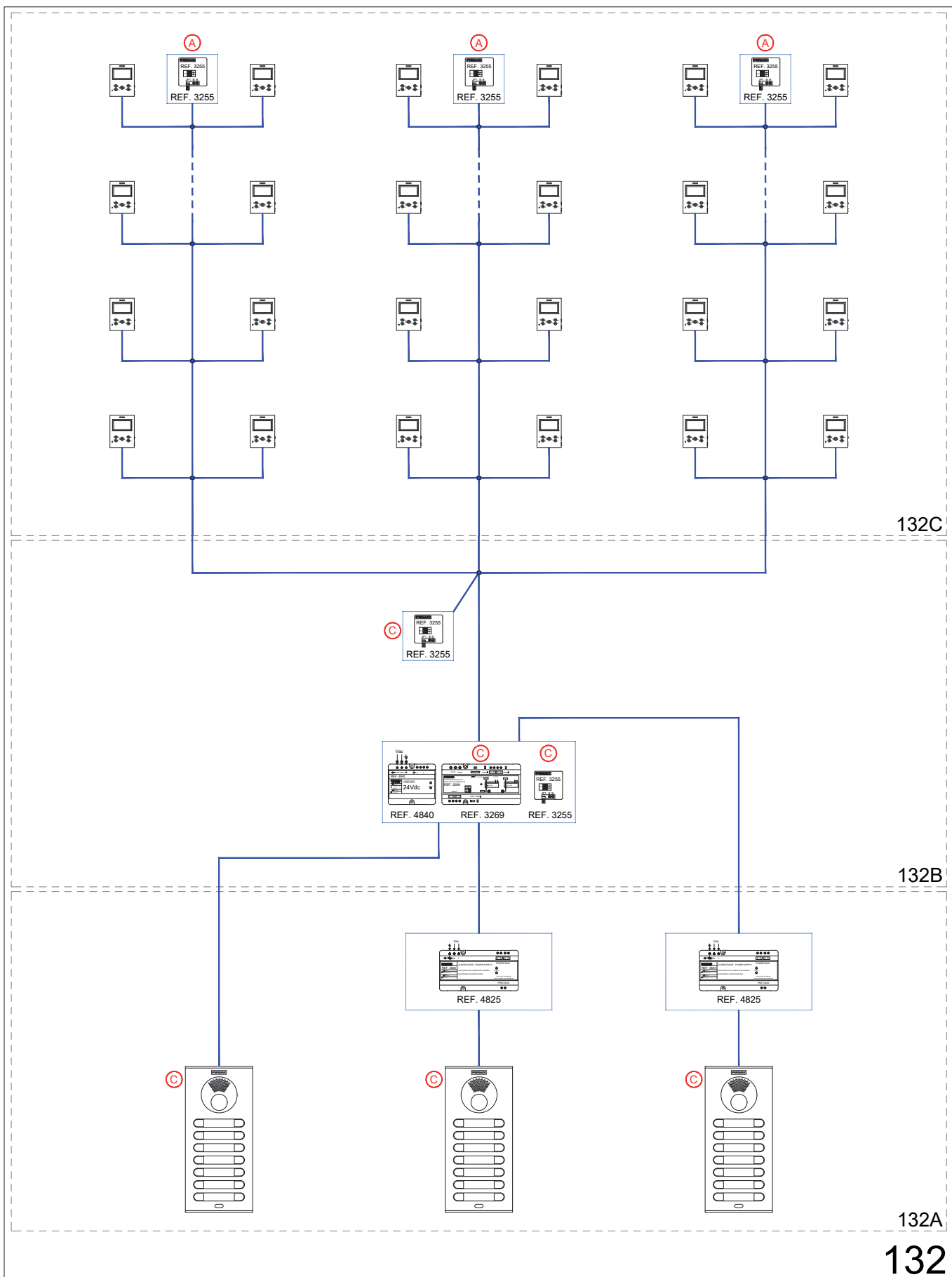


### 2.3.3 BLOCK DIAGRAM WITH 3 VIDEO ACCESSSES

3 video accesses with 3 risers.

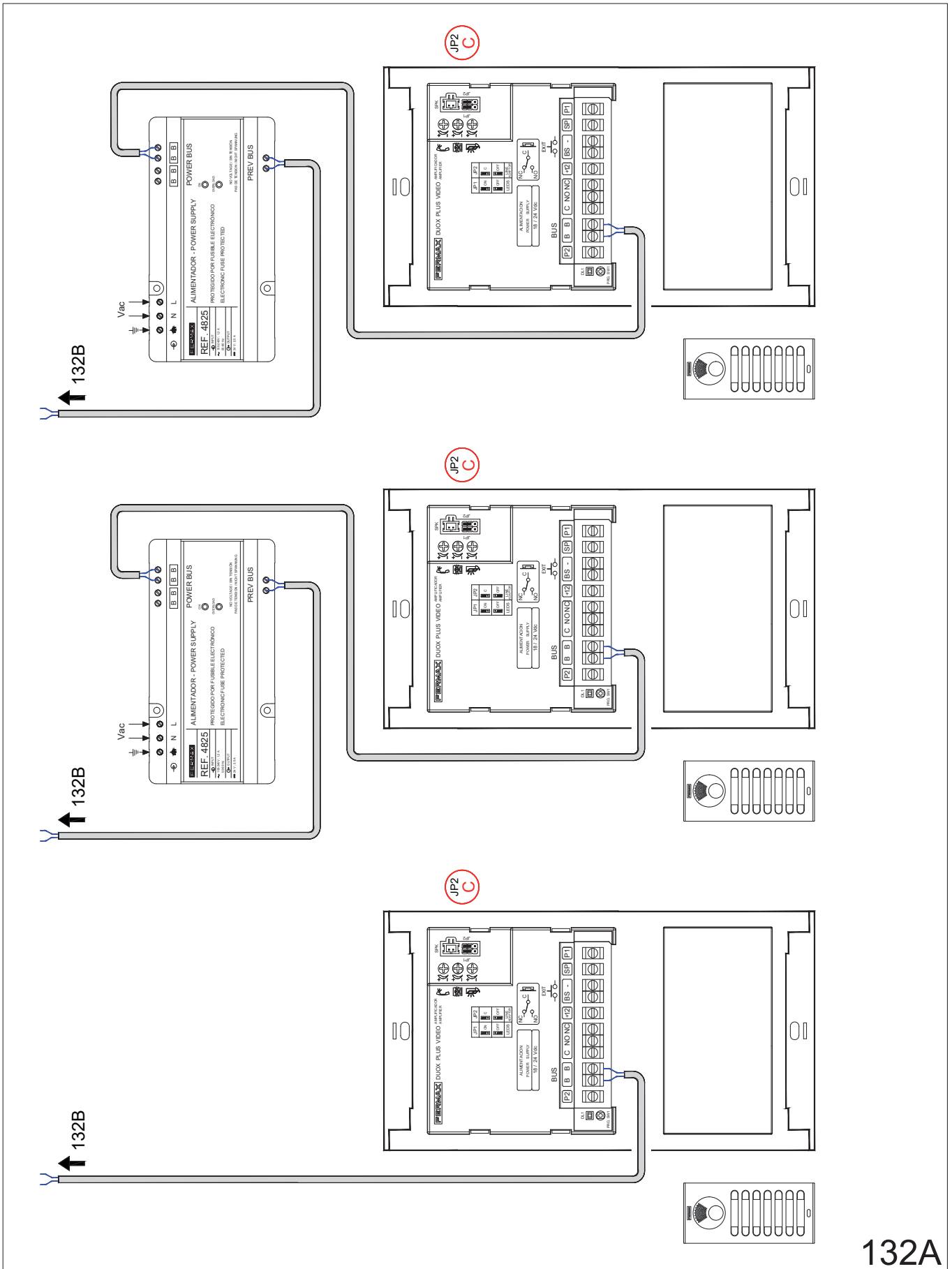
Distribution 2 terminals per floor.

132 - SINGLE-LINE DIAGRAM.



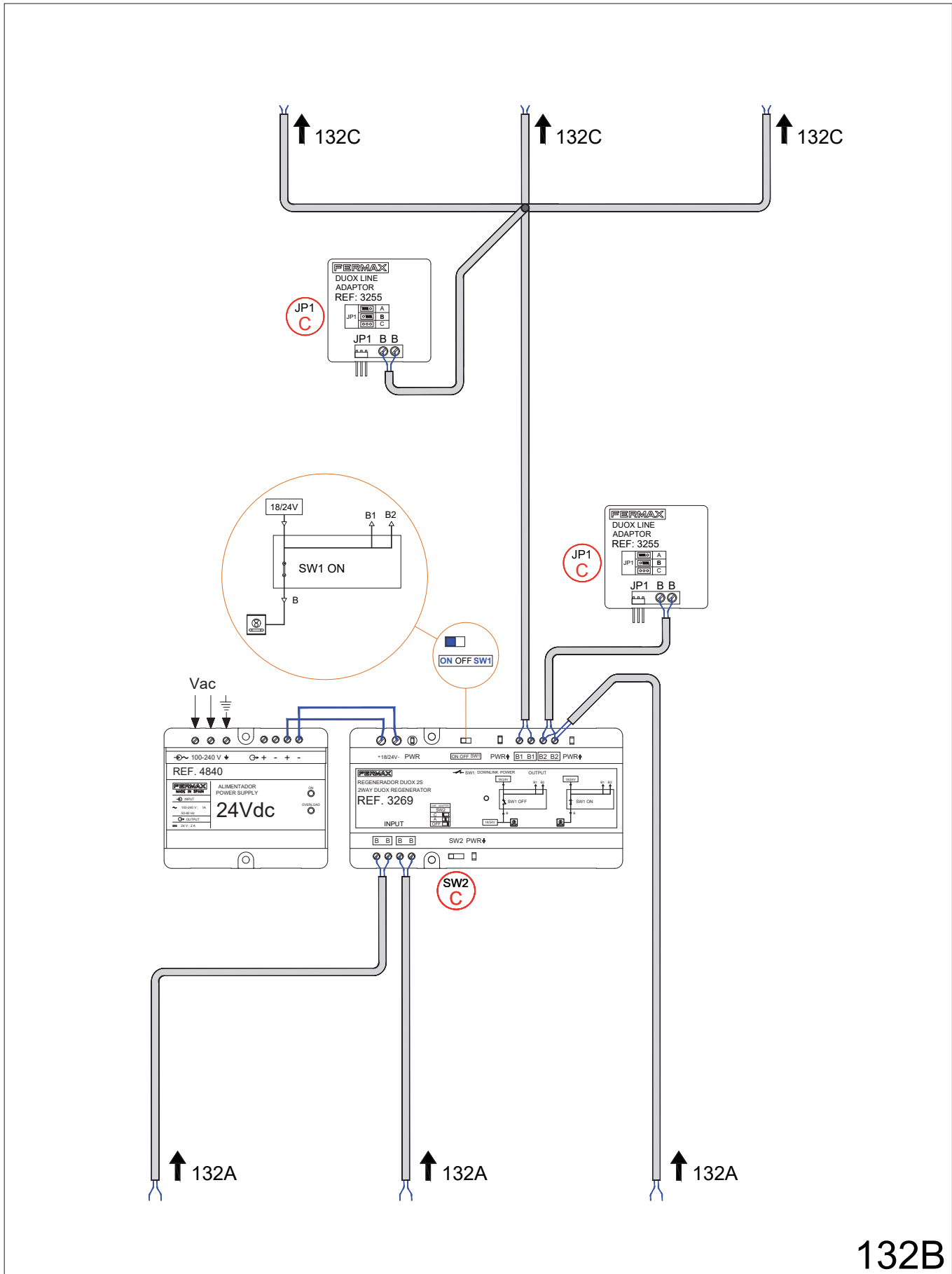
3 video accesses with 3 risers.  
 Distribution 2 terminals per floor.

132A - WIRING DIAGRAM. Connection detail: Outdoor panels - Power supply sets.



3 video accesses with 3 risers.  
 Distribution 2 terminals per floor.

132B - WIRING DIAGRAM. Connection detail: 2S regenerator+Power supply - Line adapters.

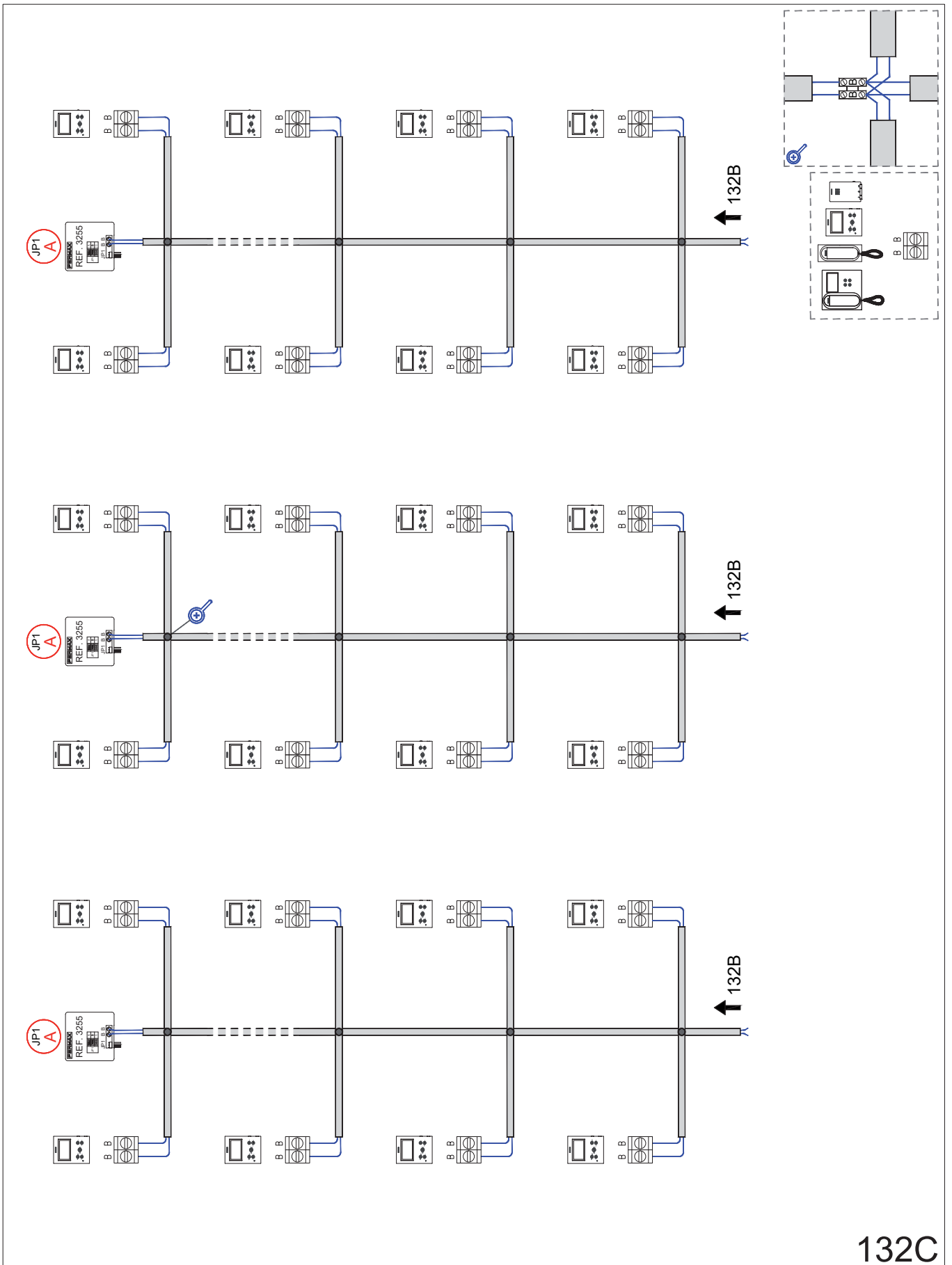


132B

3 video accesses with 3 risers.

Distribution 2 terminals per floor.

132C - WIRING DIAGRAM. Connection detail: Floors (Terminals - Line adapters).

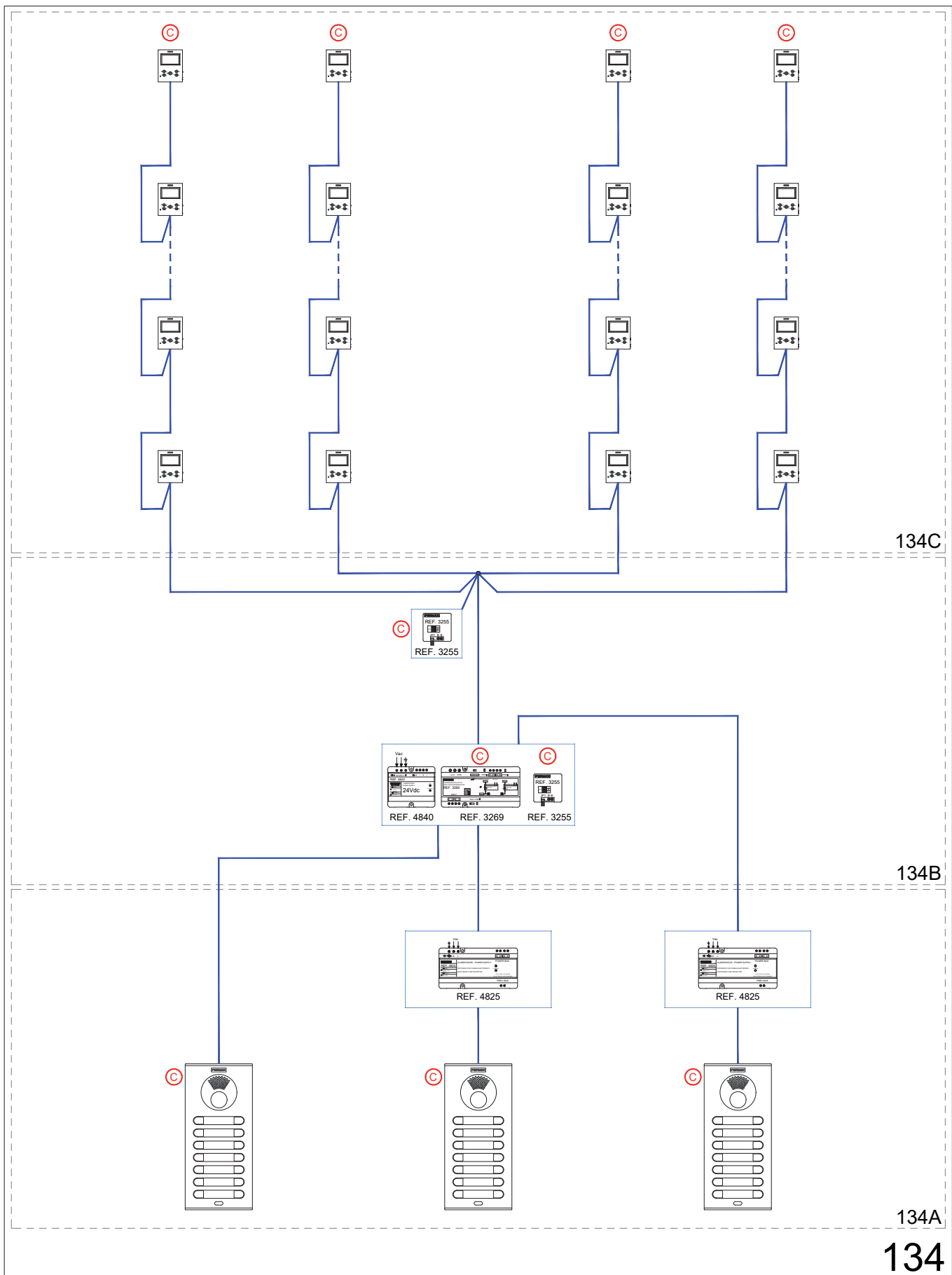


132C

3 video accesses with 4 risers.

Cascade.

134 - SINGLE-LINE DIAGRAM.

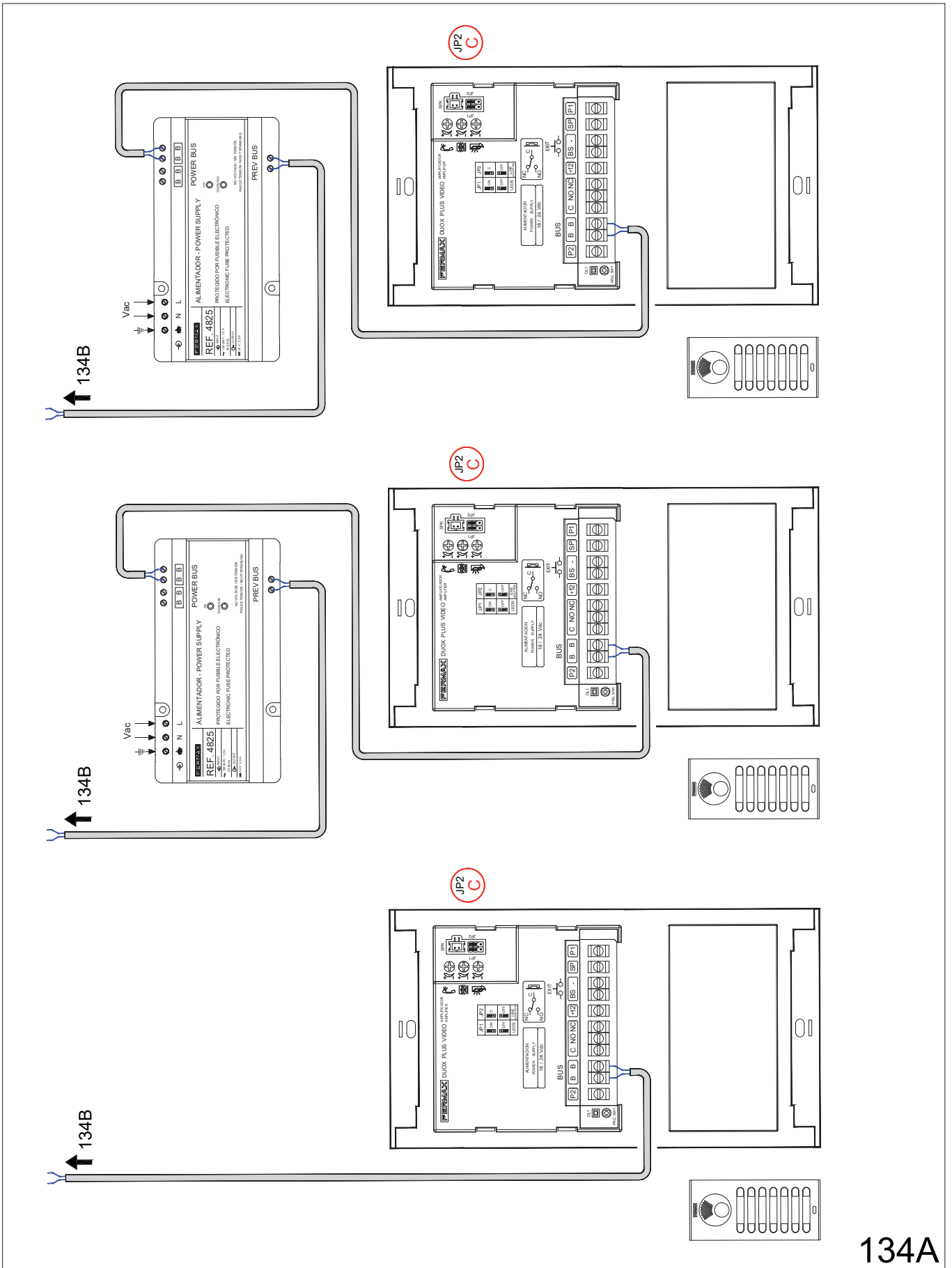


134

3 video accesses with 4 risers.

Cascade.

134A - WIRING DIAGRAM. Connection detail: Outdoor panels - Power supply sets.

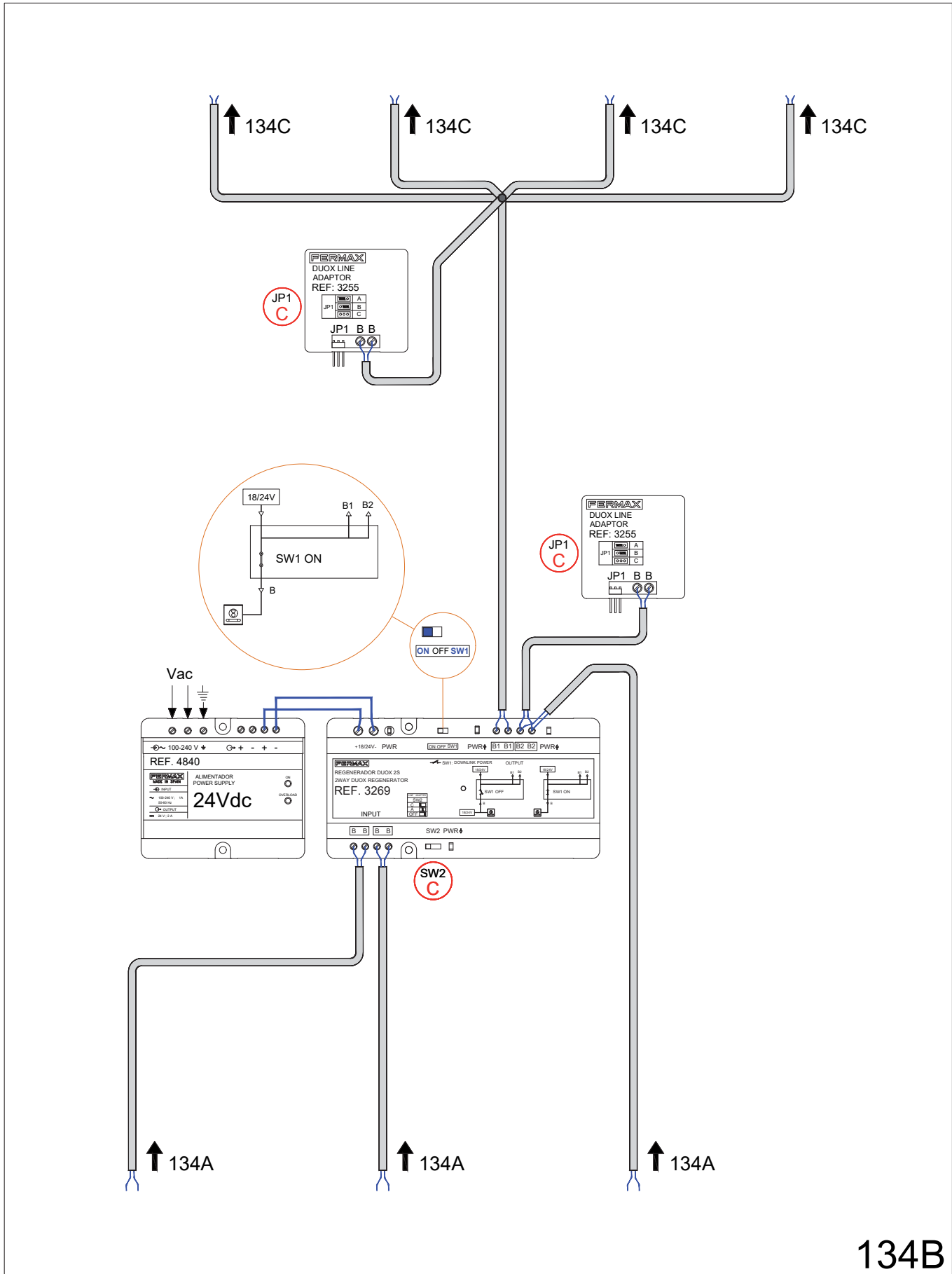


134A

3 video accesses with 4 risers.

Cascade.

134B - WIRING DIAGRAM. Connection detail: 2S regenerator+Power supply - Line adapters

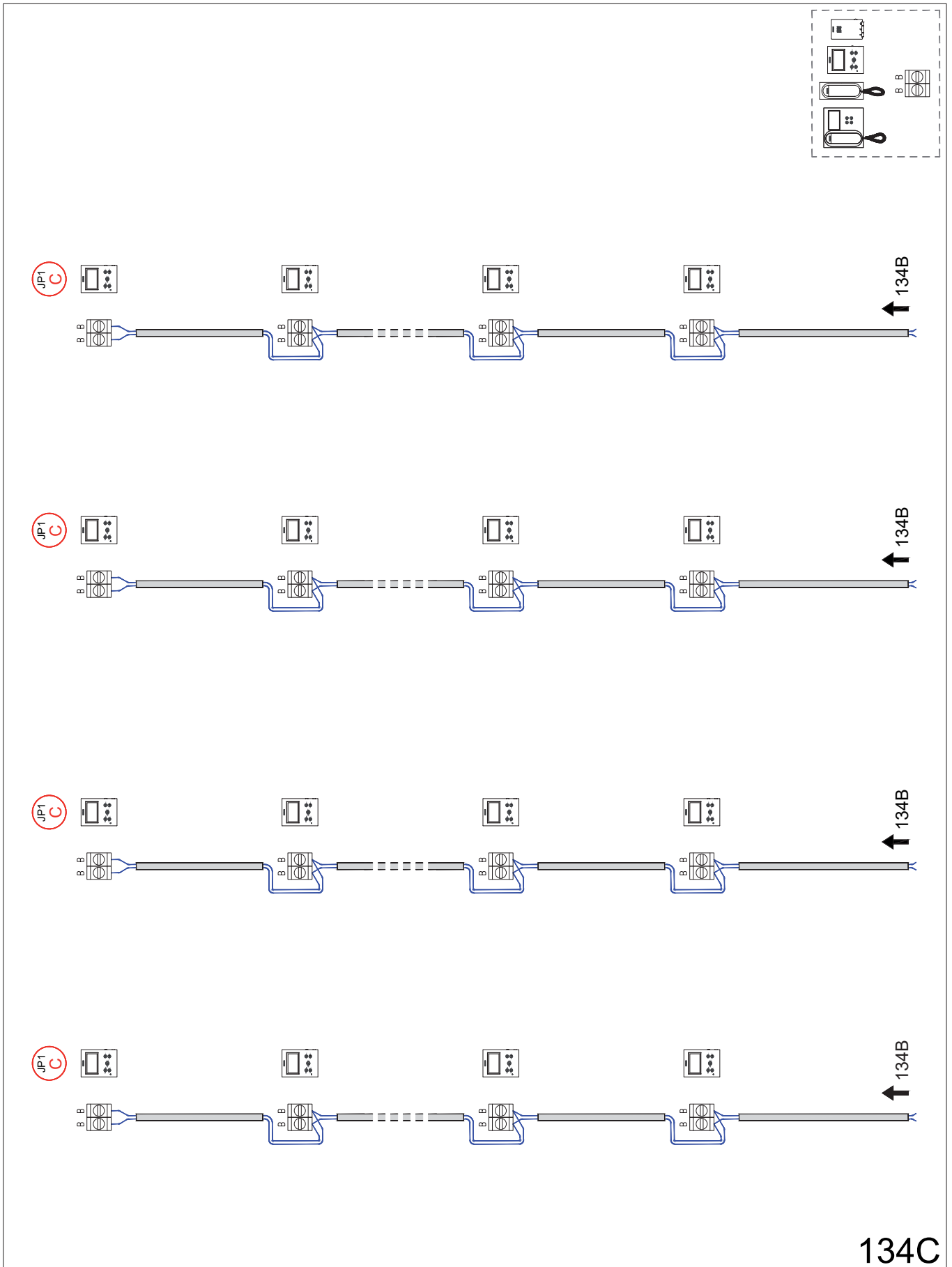


134B

3 video accesses with 4 risers.

Cascade.

134C - WIRING DIAGRAM. Connection detail: Floors (Terminals).



134C

### 2.3.4 GENERAL ENTRANCES TO INTERNAL BLOCKS WITHOUT OUTDOOR PANELS

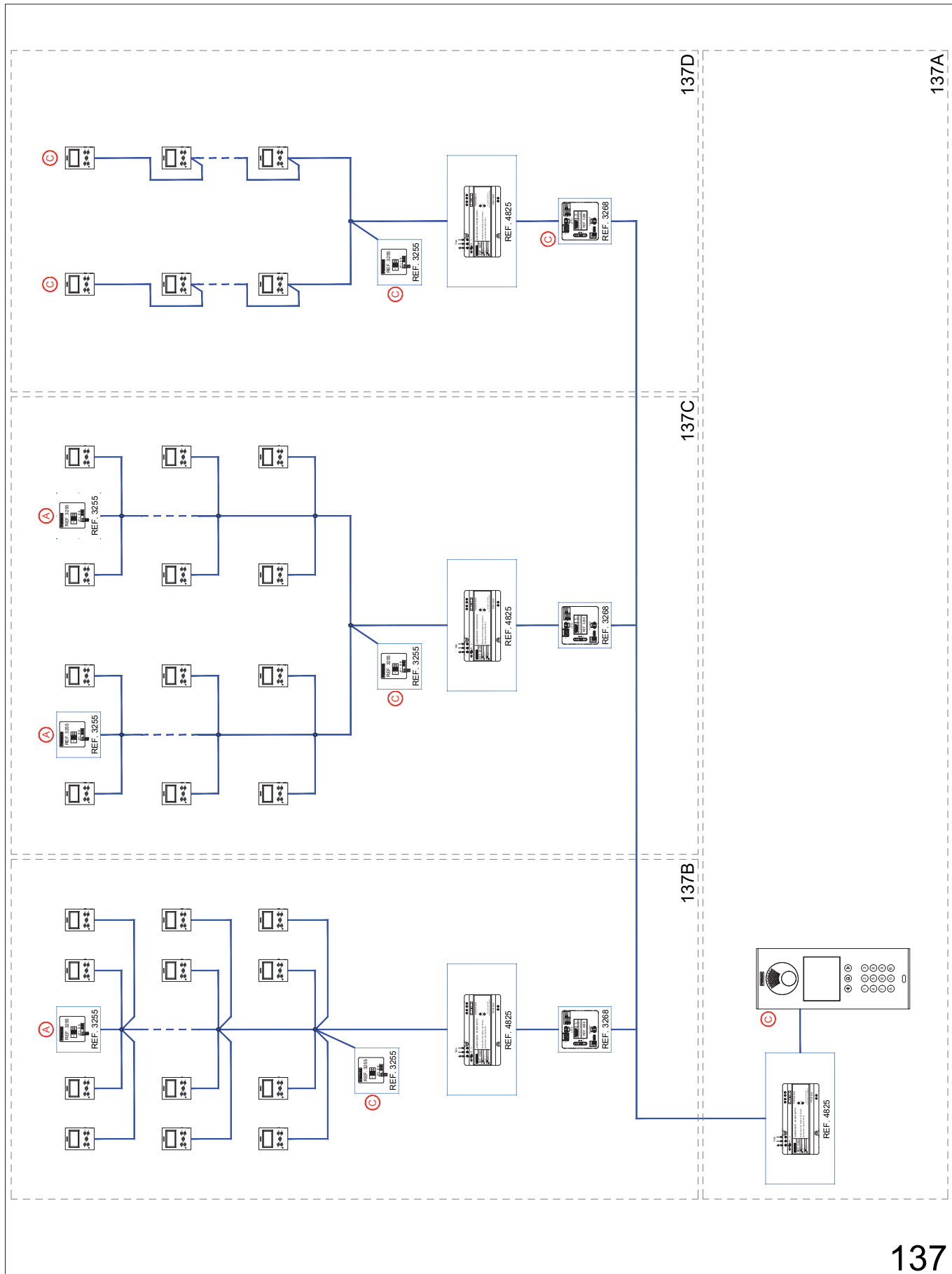
General entrance with 1 video access to 3 internal blocks without outdoor panels.

First block: 1 Riser Distribution 4 terminals per floor.

Second block: 2 Risers Distribution 2 terminals per floor.

Third block: 2 Risers Cascade.

137 - SINGLE-LINE DIAGRAM.



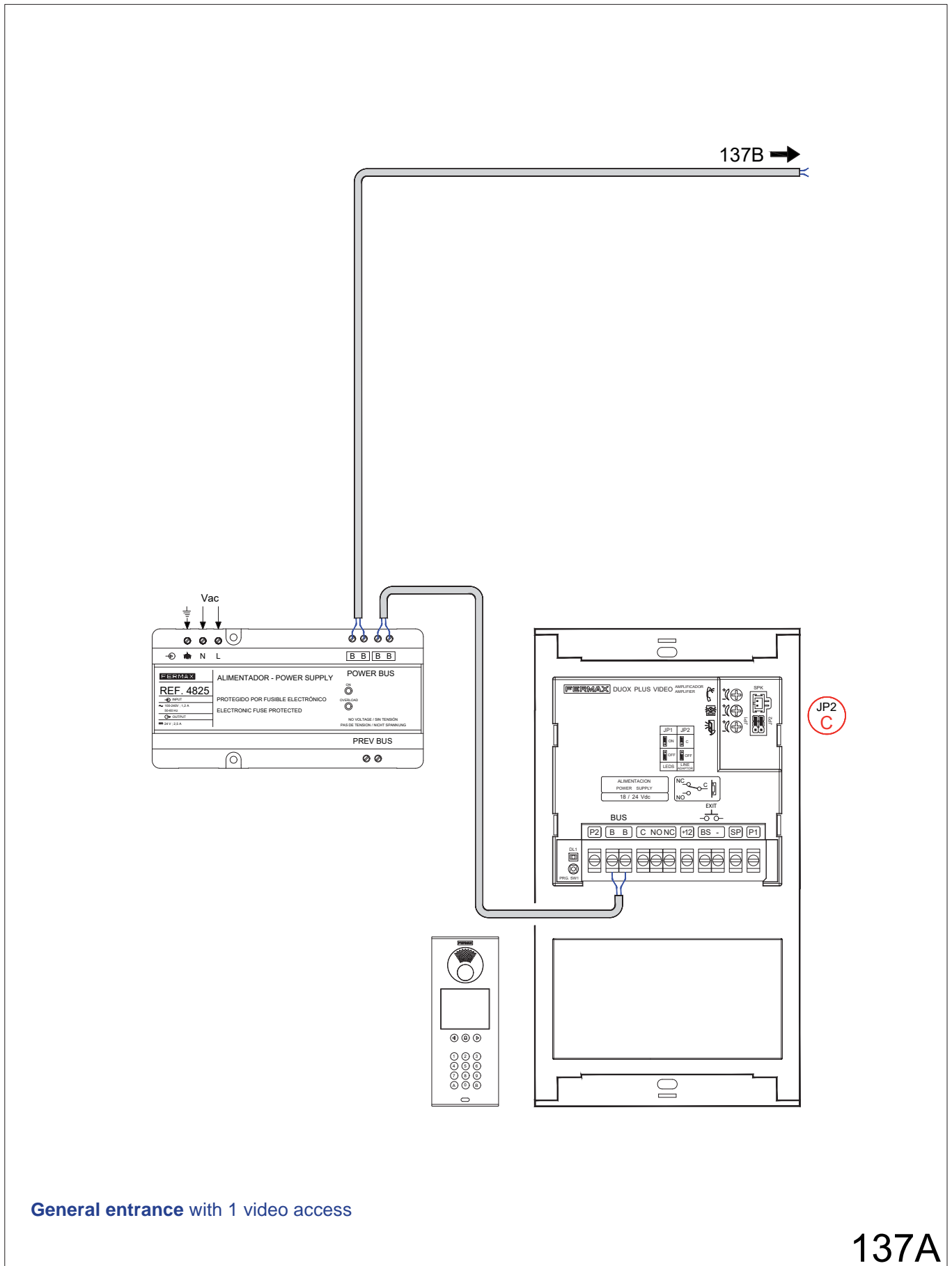
General entrance with 1 video access to 3 internal blocks without outdoor panels.

First block: 1 Riser Distribution 4 terminals per floor.

Second block: 2 Risers Distribution 2 terminals per floor.

Third block: 2 Risers Cascade.

137A - WIRING DIAGRAM. Connection detail: Outdoor panel - Power supply set.



General entrance with 1 video access

137A

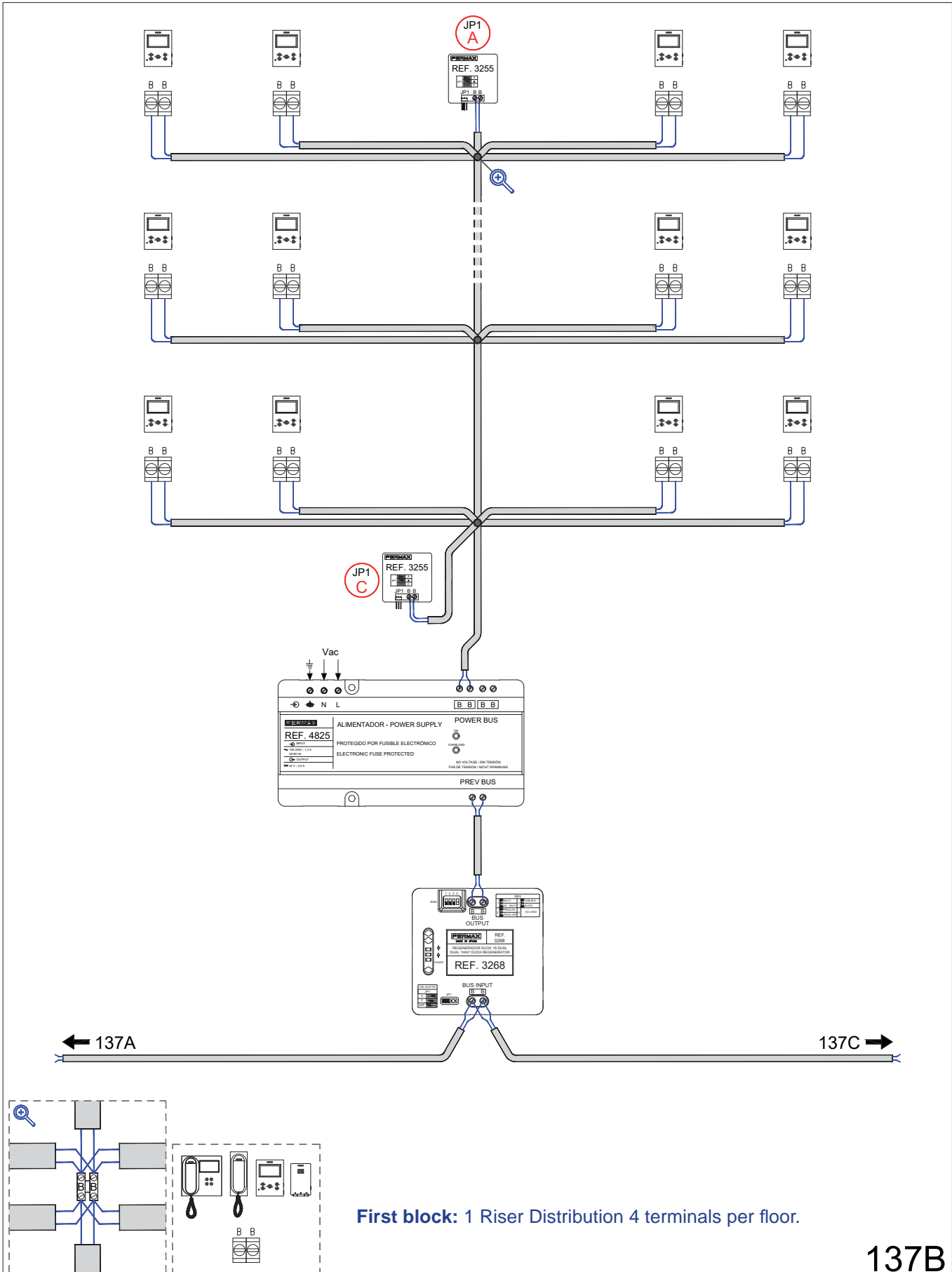
General entrance with 1 video access to 3 internal blocks without outdoor panels.

First block: 1 Riser Distribution 4 terminals per floor.

Second block: 2 Risers Distribution 2 terminals per floor.

Third block: 2 Risers Cascade.

137B - WIRING DIAGRAM. Connection detail: 1S regenerator - Power supply set - Floors (Terminals - Line adapters).



First block: 1 Riser Distribution 4 terminals per floor.

137B

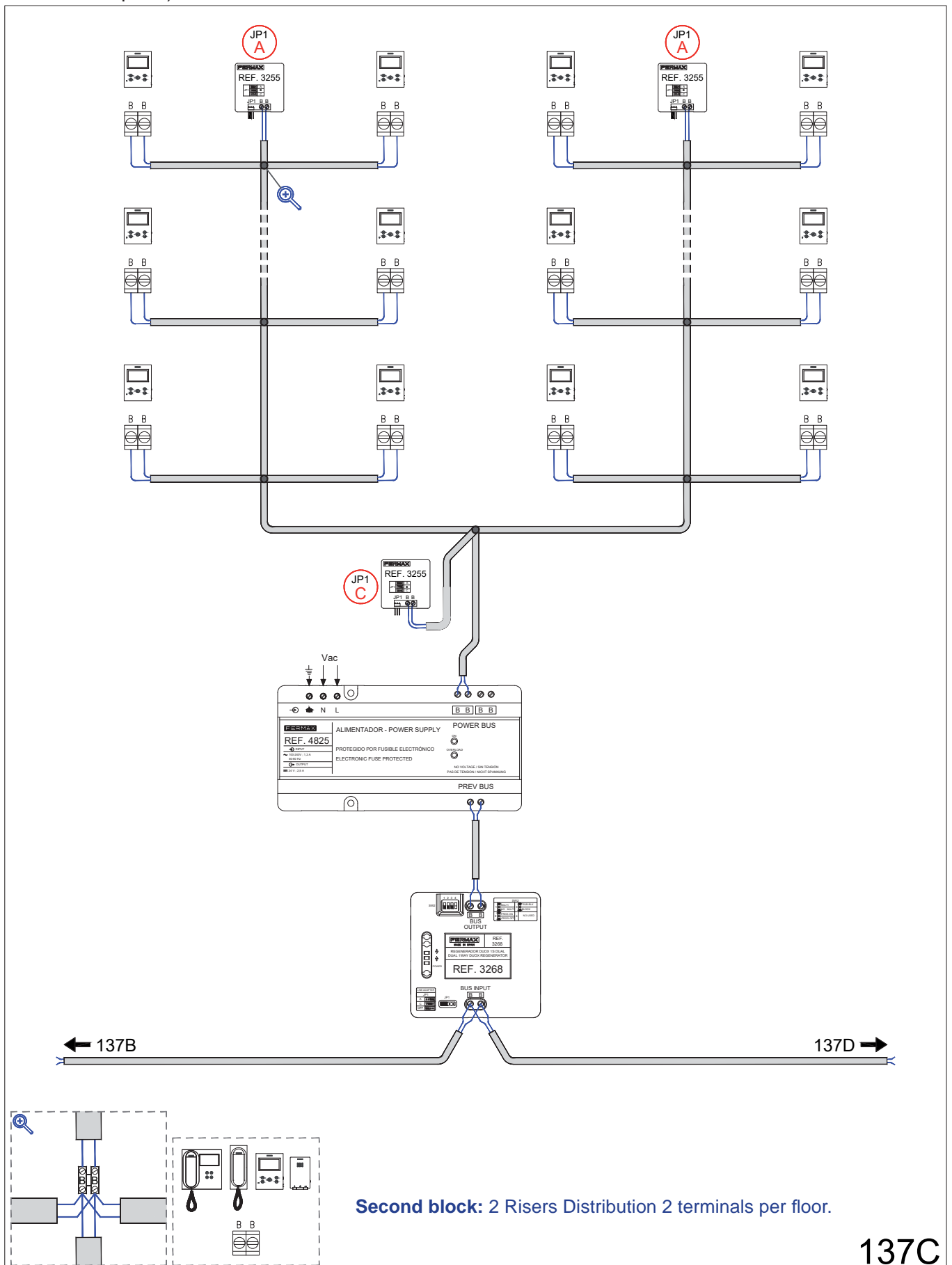
General entrance with 1 video access to 3 internal blocks without outdoor panels.

First block: 1 Riser Distribution 4 terminals per floor.

Second block: 2 Risers Distribution 2 terminals per floor.

Third block: 2 Risers Cascade.

137C - WIRING DIAGRAM. Connection detail: 1S regenerator - Power supply set - Floors (Terminals - Line adapters).



Second block: 2 Risers Distribution 2 terminals per floor.

137C

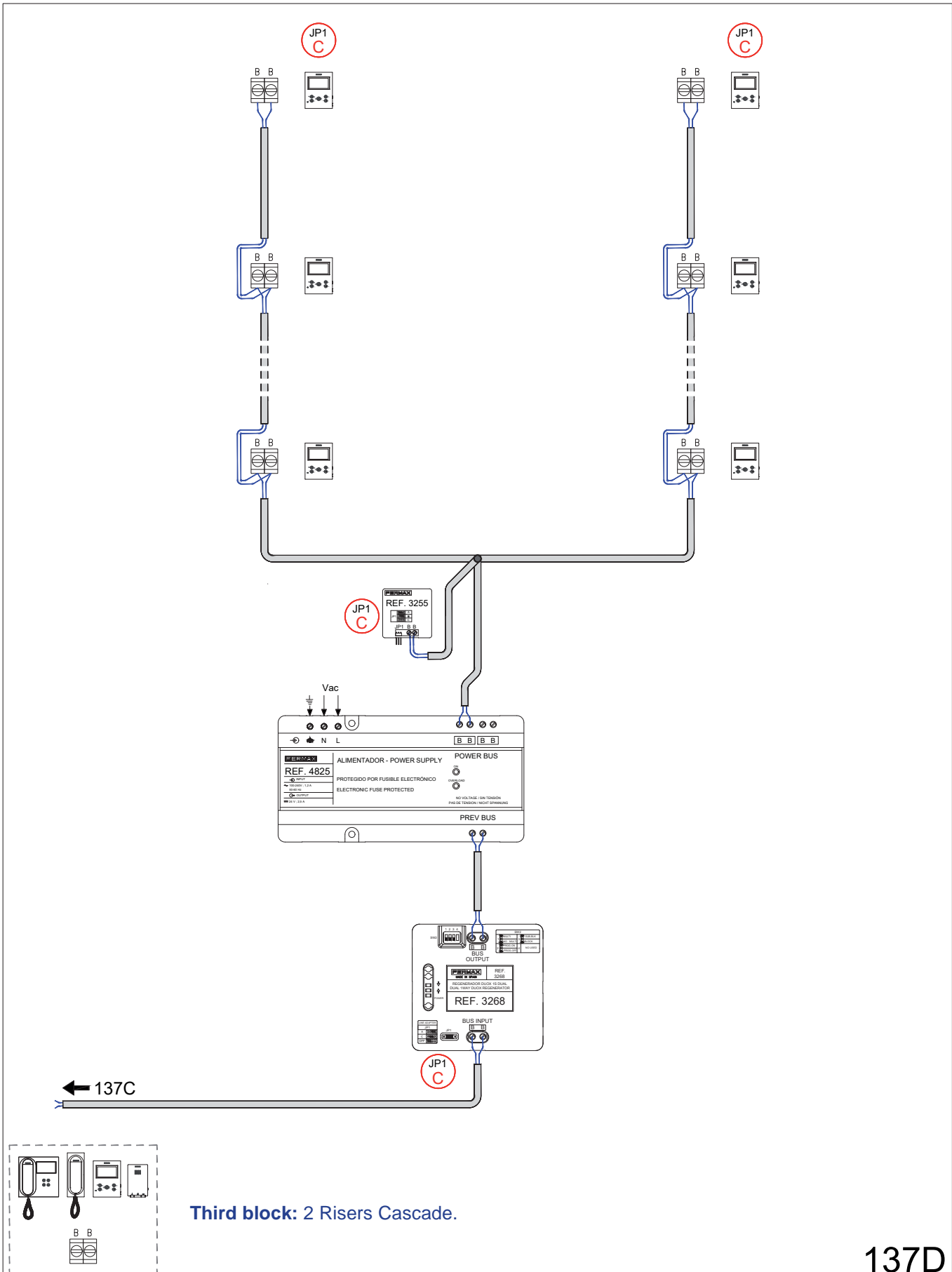
General entrance with 1 video access to 3 internal blocks without outdoor panels.

First block: 1 Riser Distribution 4 terminals per floor.

Second block: 2 Risers Distribution 2 terminals per floor.

Third block: 2 Risers Cascade.

137D - WIRING DIAGRAM. Connection detail: 1S regenerator - Power supply set - Floors (Terminals - Line adapters).

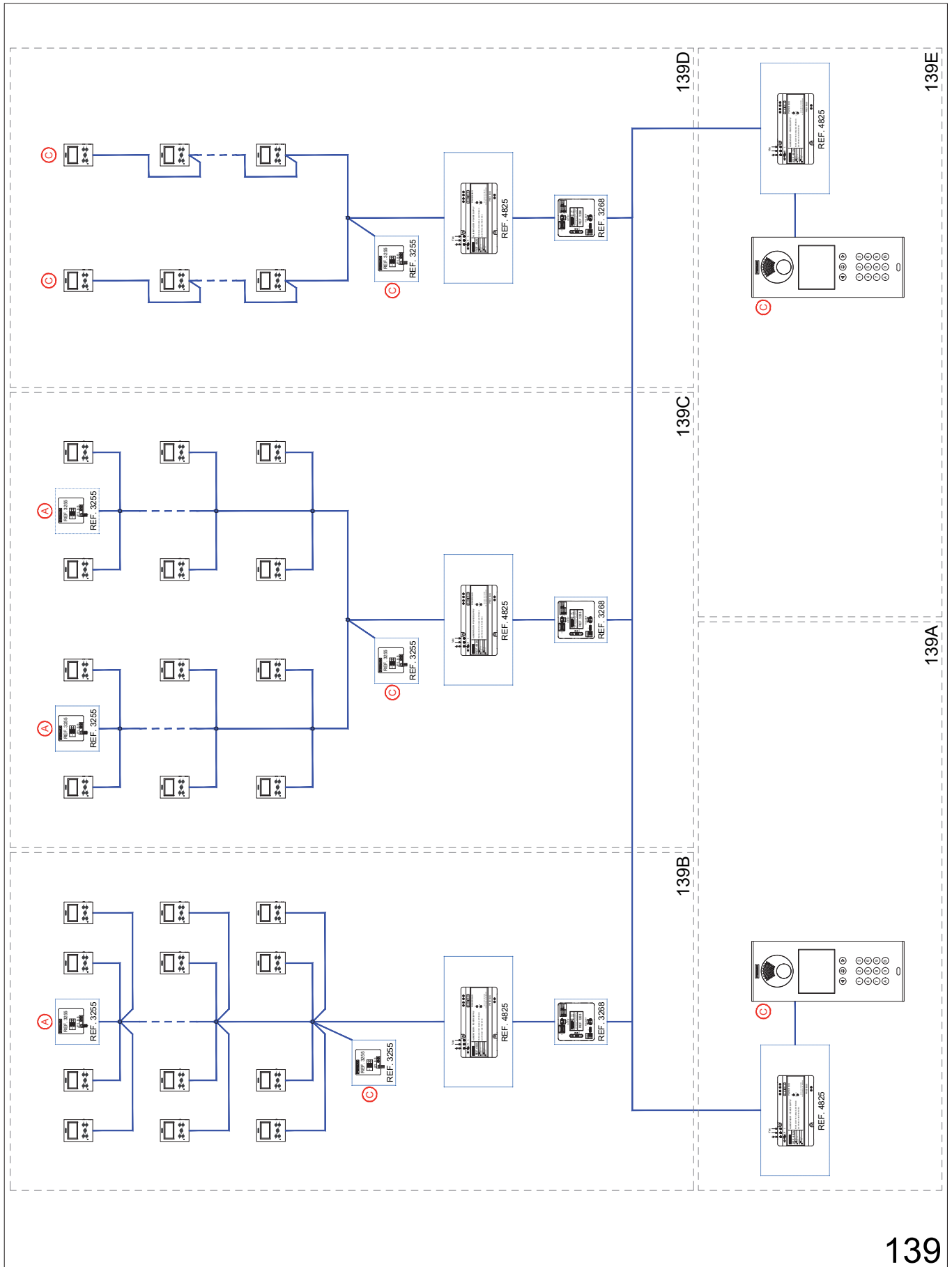


Third block: 2 Risers Cascade.

137D

General entrance with 2 video accesses to 3 internal blocks without outdoor panels.  
 First block: 1 Riser Distribution 4 terminals per floor.  
 Second block: 2 Risers Distribution 2 terminals per floor.  
 Third block: 2 Risers Cascade.

139 - SINGLE-LINE DIAGRAM.



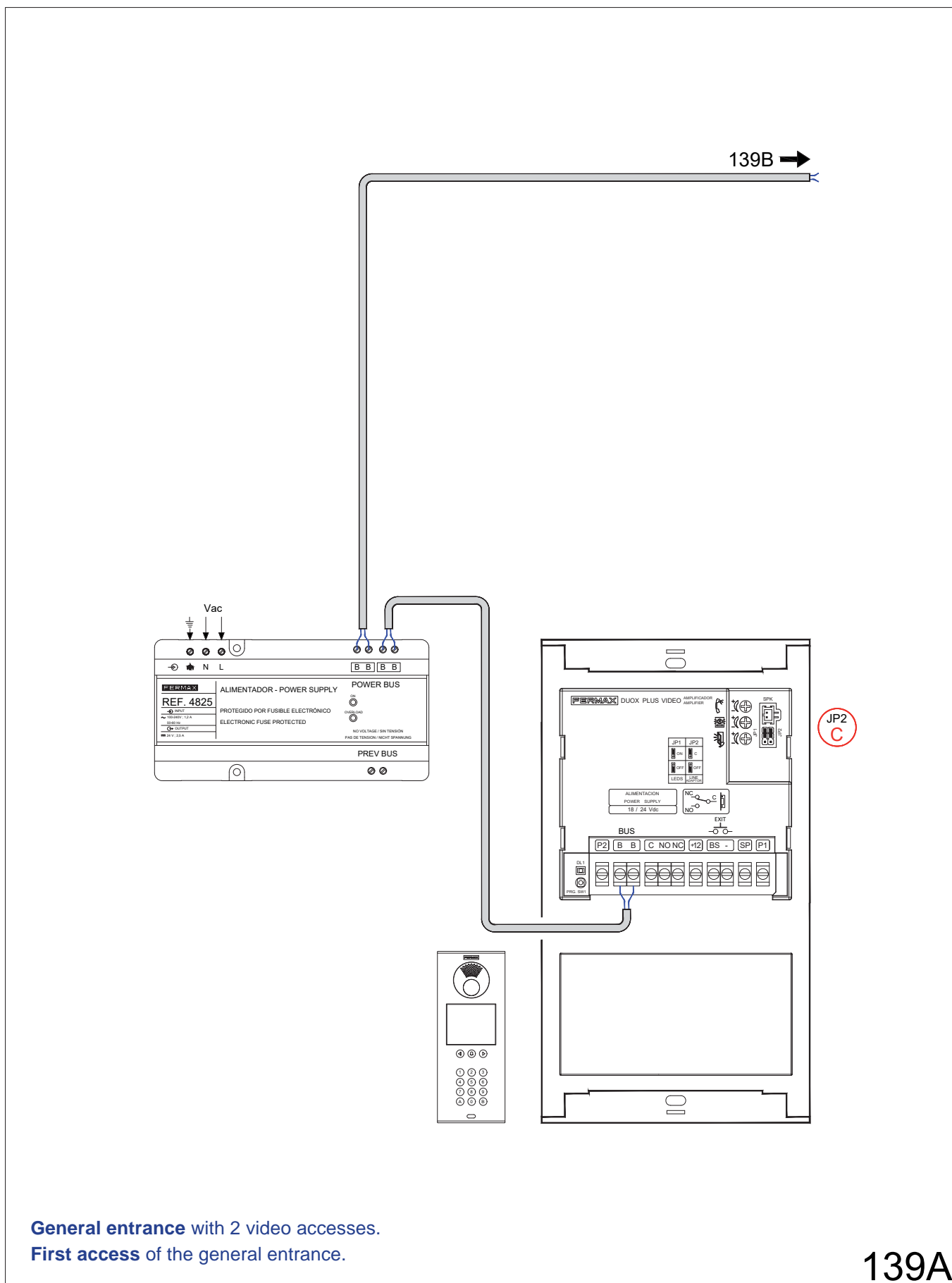
General entrance with 2 video accesses to 3 internal blocks without outdoor panels.

First block: 1 Riser Distribution 4 terminals per floor.

Second block: 2 Risers Distribution 2 terminals per floor.

Third block: 2 Risers Cascade.

139A - WIRING DIAGRAM. Connection detail: Outdoor panel - Power supply set.



General entrance with 2 video accesses.  
 First access of the general entrance.

139A

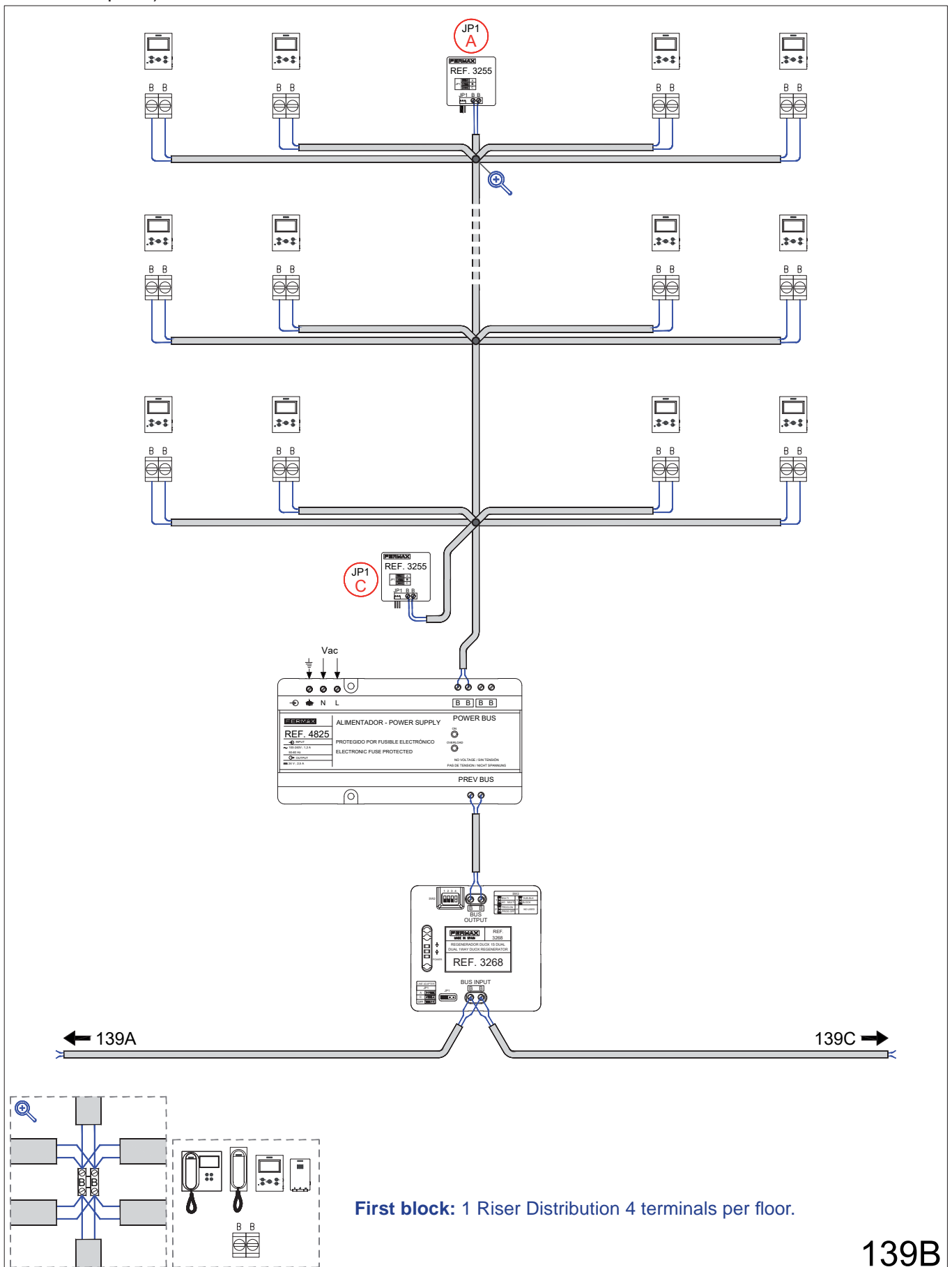
General entrance with 2 video accesses to 3 internal blocks without outdoor panels.

First block: 1 Riser Distribution 4 terminals per floor.

Second block: 2 Risers Distribution 2 terminals per floor.

Third block: 2 Risers Cascade.

139B - WIRING DIAGRAM. Connection detail: 1S regenerator - Power supply set - Floors (Terminals - Line adapters).



139B

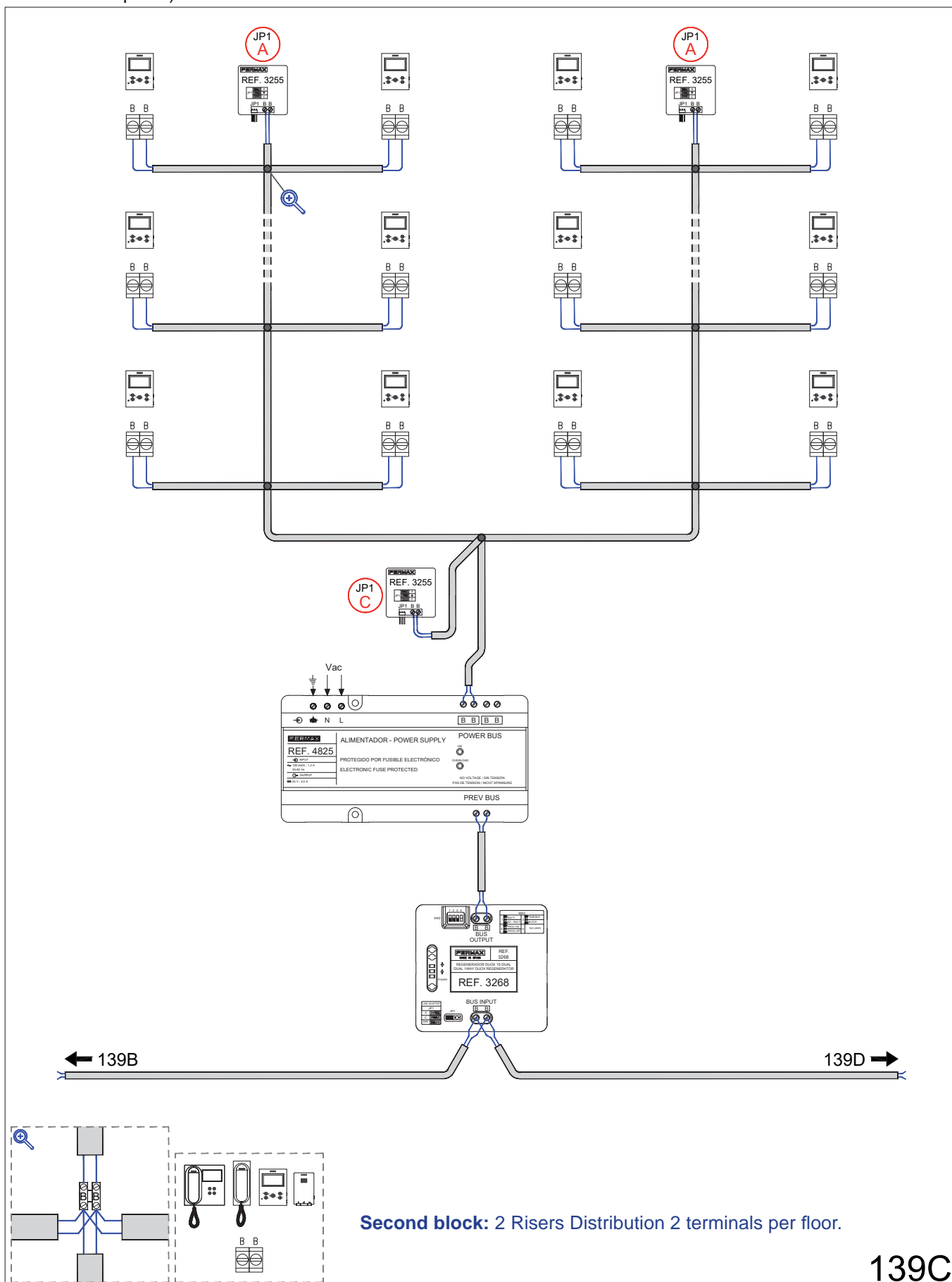
General entrance with 2 video accesses to 3 internal blocks without outdoor panels.

First block: 1 Riser Distribution 4 terminals per floor.

Second block: 2 Risers Distribution 2 terminals per floor.

Third block: 2 Risers Cascade.

139C - WIRING DIAGRAM. Connection detail: 1S regenerator - Power supply set - Floors (Terminals - Line adapters).



Second block: 2 Risers Distribution 2 terminals per floor.

139C

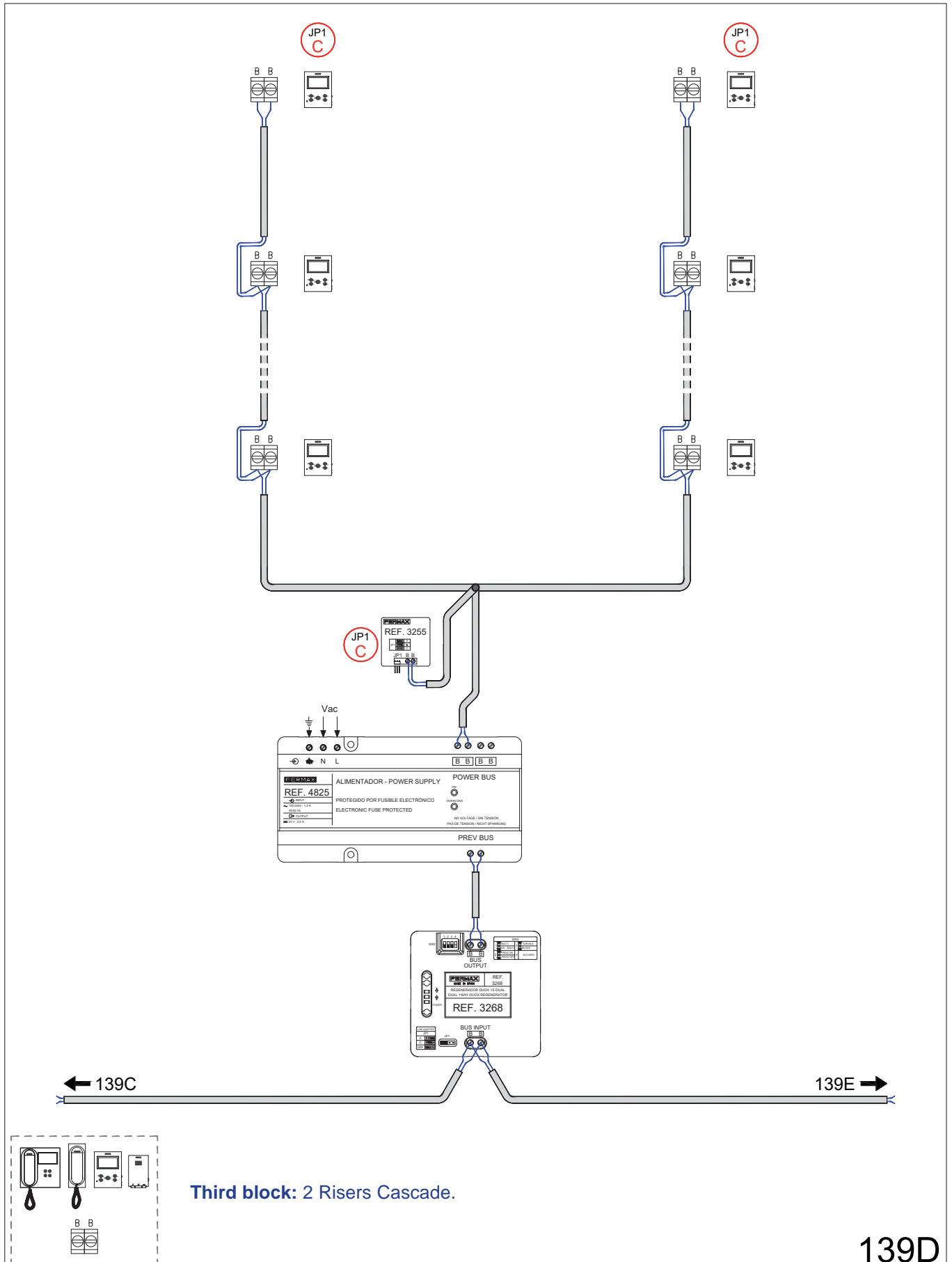
General entrance with 2 video accesses to 3 internal blocks without outdoor panels.

First block: 1 Riser Distribution 4 terminals per floor.

Second block: 2 Risers Distribution 2 terminals per floor.

Third block: 2 Risers Cascade.

139D - WIRING DIAGRAM. Connection detail: 1S regenerator - Power supply set - Floors (Terminals - Line adapters).



139D

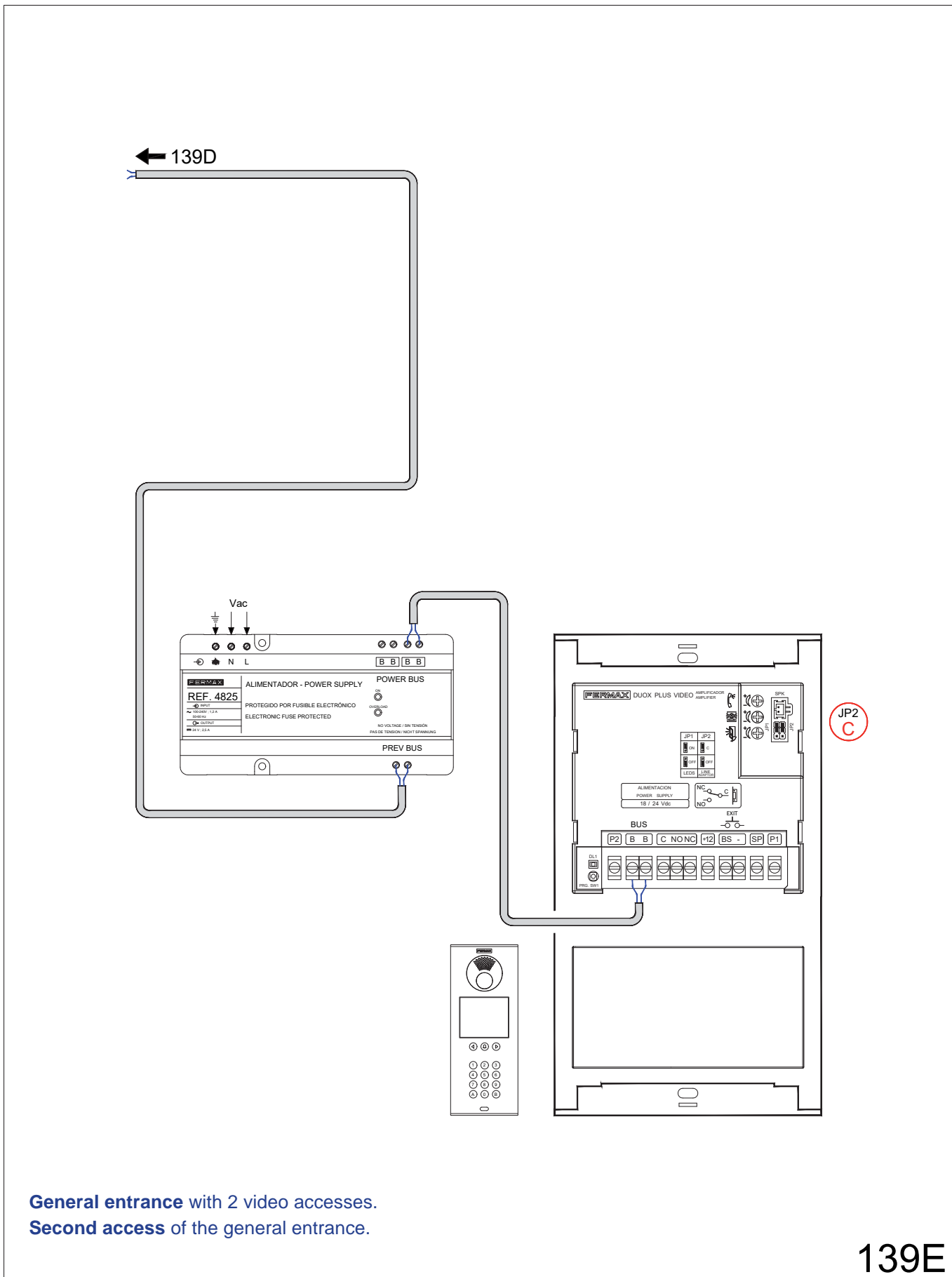
General entrance with 2 video accesses to 3 internal blocks without outdoor panels.

First block: 1 Riser Distribution 4 terminals per floor.

Second block: 2 Risers Distribution 2 terminals per floor.

Third block: 2 Risers Cascade.

139E - WIRING DIAGRAM. Connection detail: Outdoor panel - Power supply set.

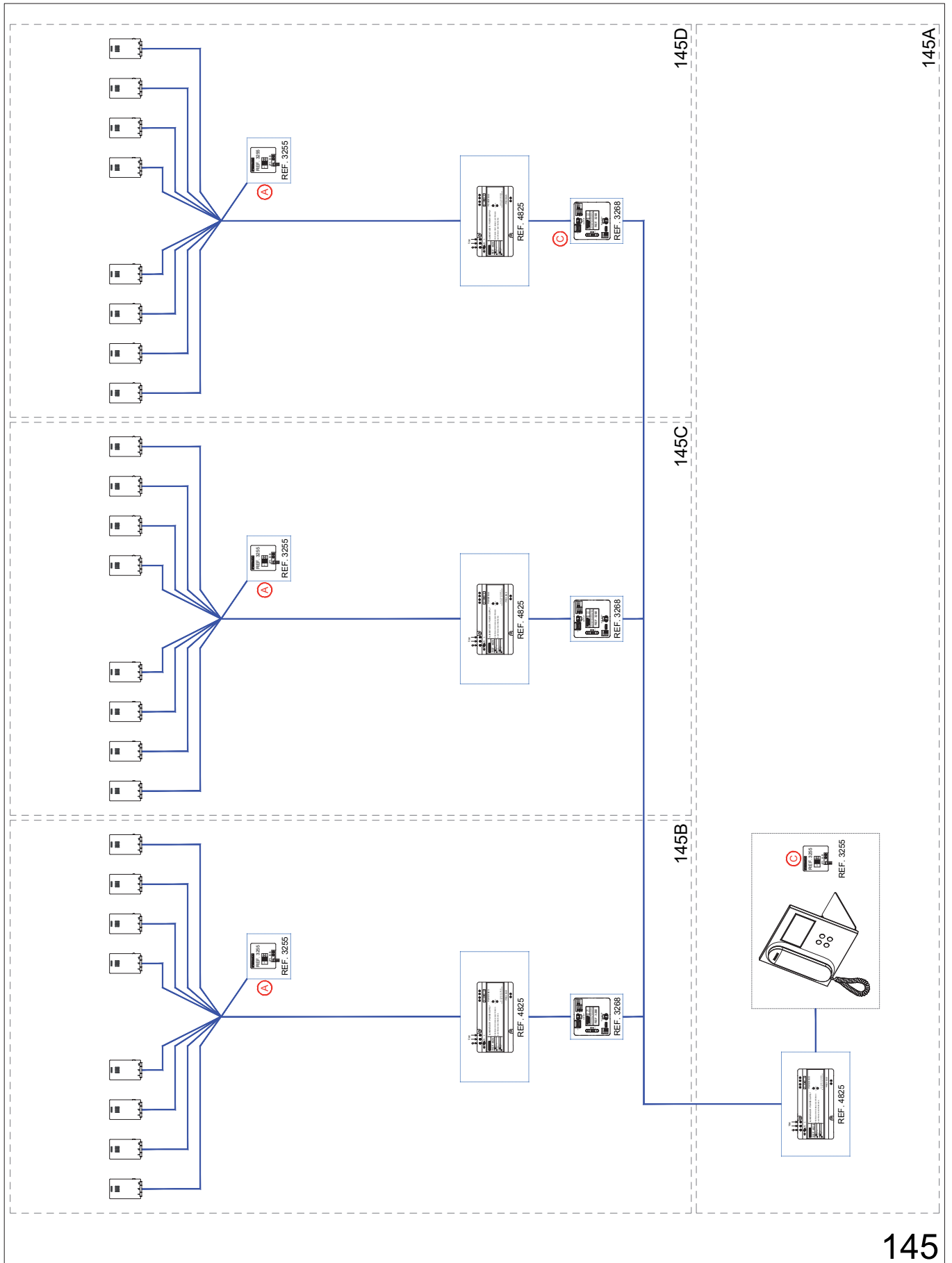


General entrance with 2 video accesses.  
 Second access of the general entrance.

139E

General entrance with 1 audio guard unit to 3 distributions in star format without outdoor panels.  
 First Star: 8 Villas.  
 Second Star: 8 Villas.  
 Third Star: 8 Villas.

145 - SINGLE-LINE DIAGRAM.



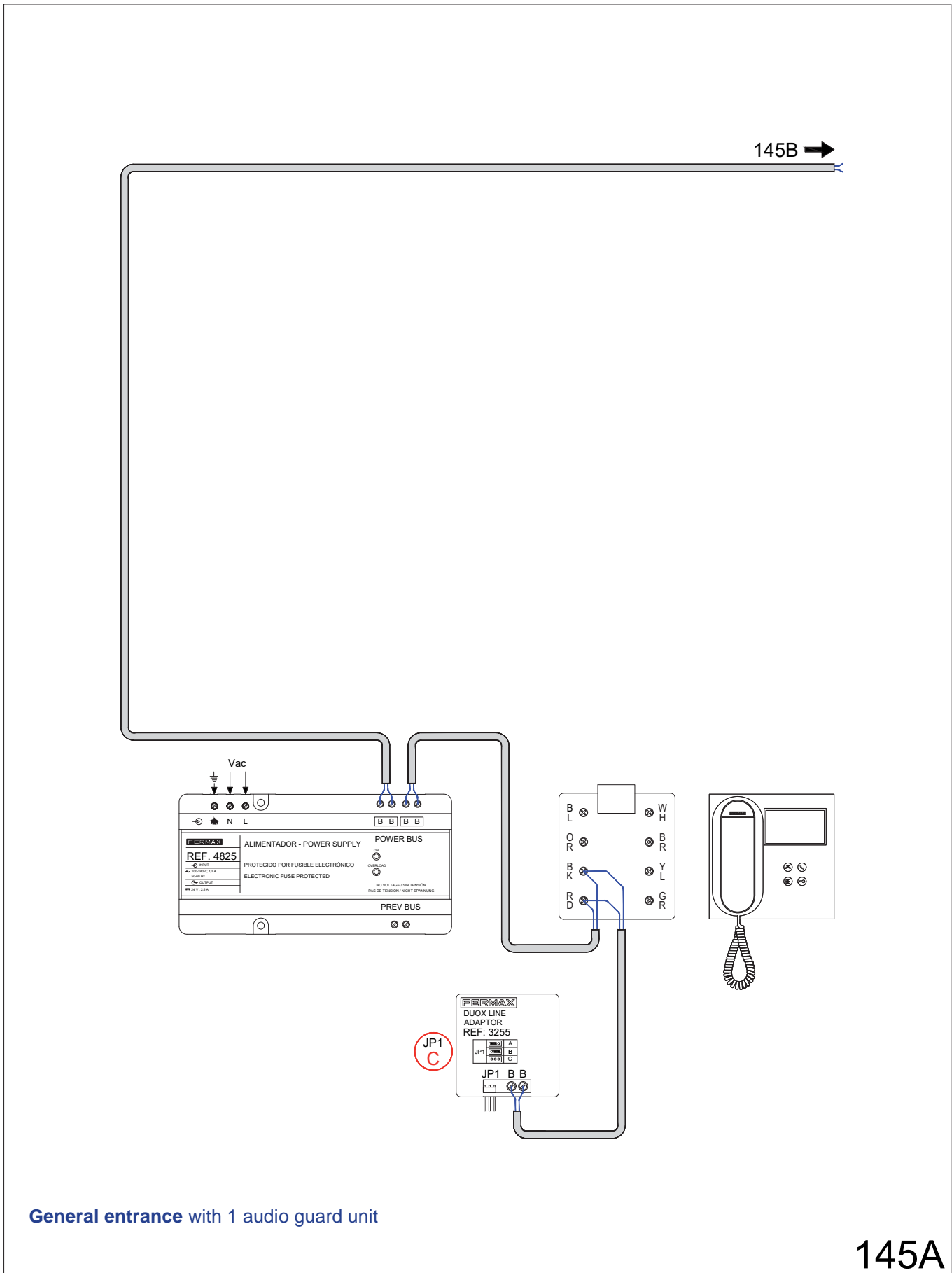
General entrance with 1 audio guard unit to 3 distributions in star format without outdoor panels.

First Star: 8 Villas.

Second Star: 8 Villas.

Third Star: 8 Villas.

145A - WIRING DIAGRAM. Connection detail: Guard unit - Power supply set - Line adapter.



General entrance with 1 audio guard unit

145A

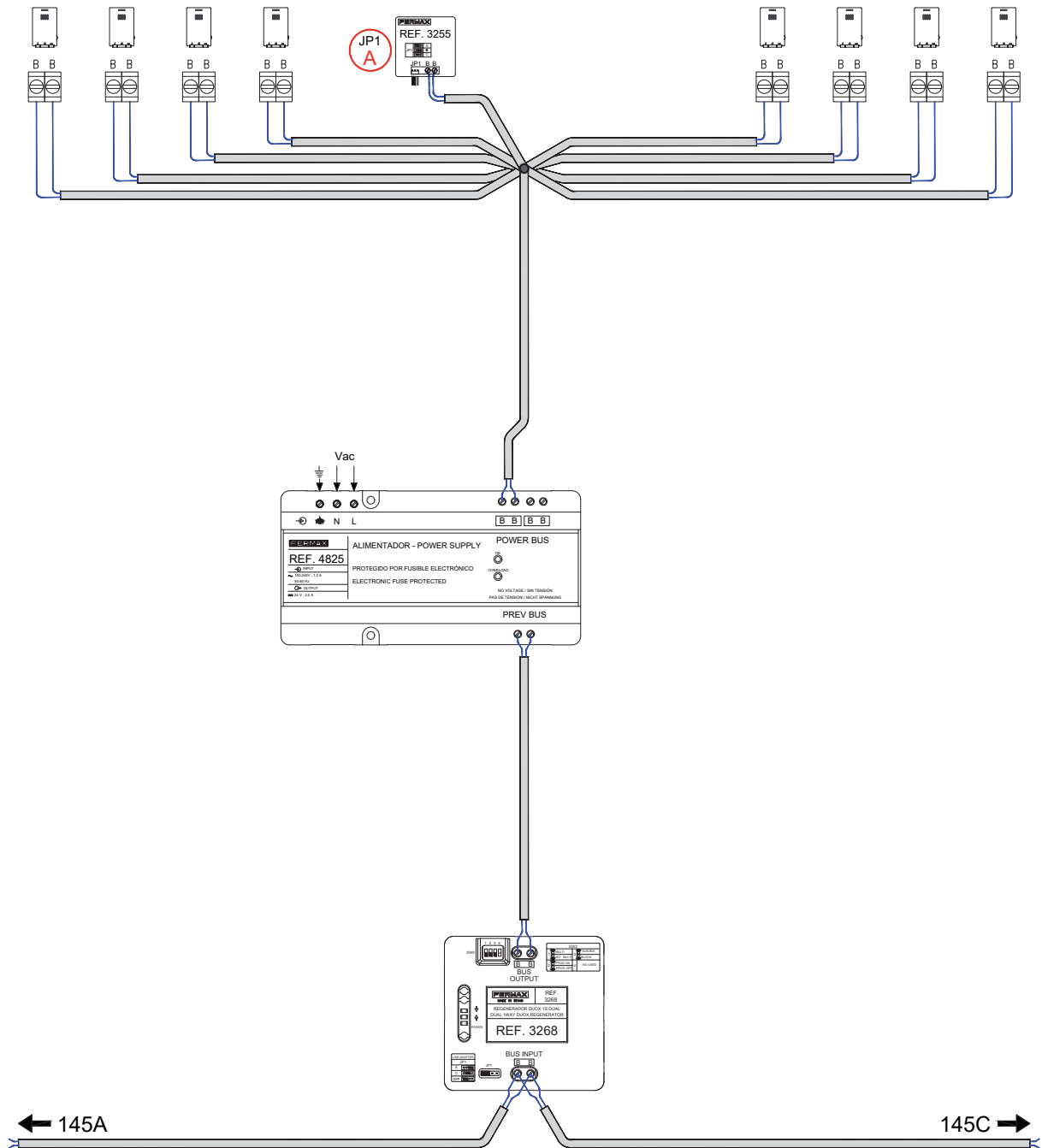
General entrance with 1 audio guard unit to 3 distributions in star format without outdoor panels.

First Star: 8 Villas.

Second Star: 8 Villas.

Third Star: 8 Villas.

145B - WIRING DIAGRAM. Connection detail: 1S regenerator - Power supply set - Star (Terminals - Line adapter).



First star: 8 Villas.

145B

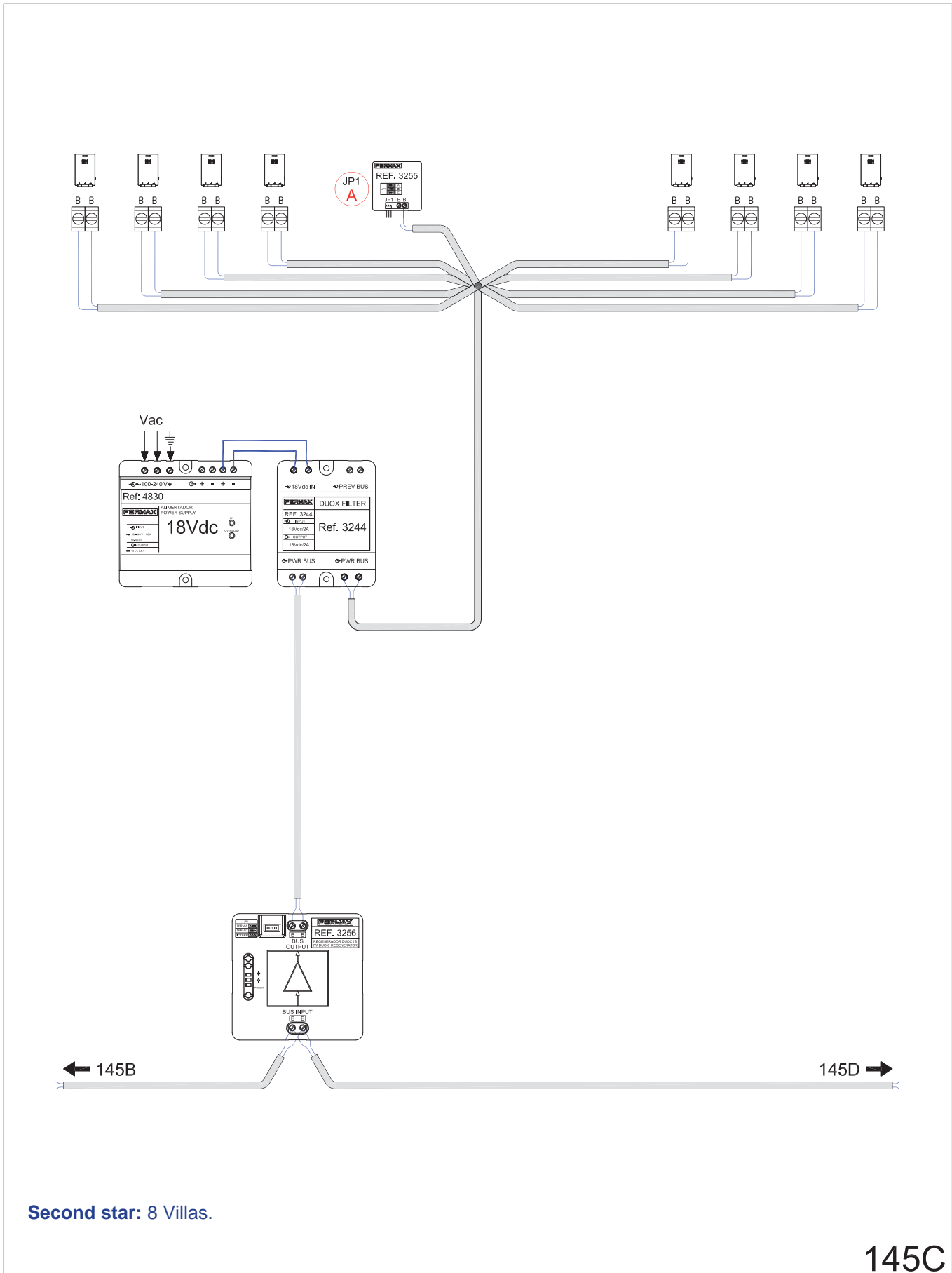
General entrance with 1 audio guard unit to 3 distributions in star format without outdoor panels.

First Star: 8 Villas.

Second Star: 8 Villas.

Third Star: 8 Villas.

145C - WIRING DIAGRAM. Connection detail: 1S regenerator - Power supply set - Star (Terminals - Line adapter).



Second star: 8 Villas.

145C

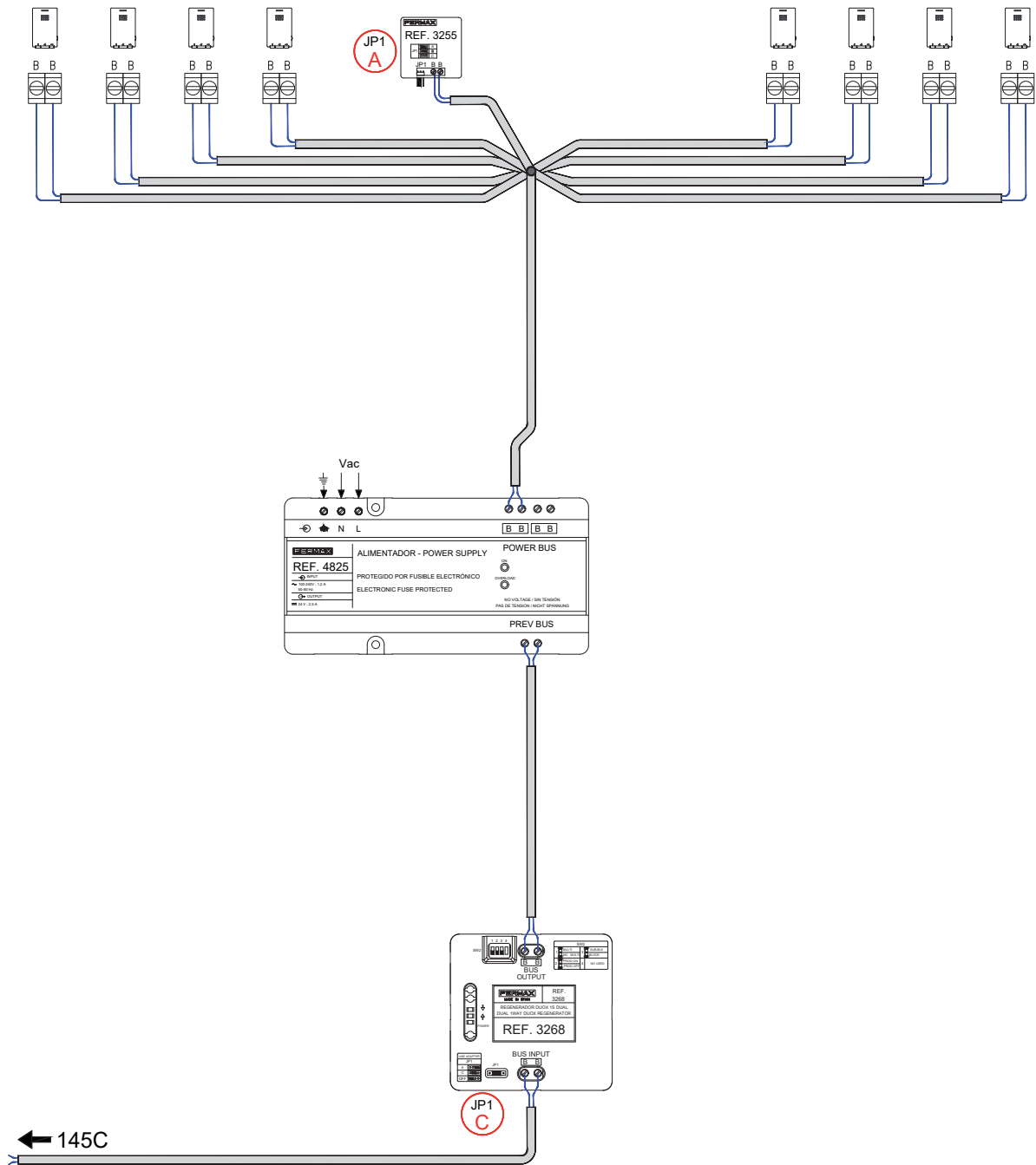
General entrance with 1 audio guard unit to 3 distributions in star format without outdoor panels.

First Star: 8 Villas.

Second Star: 8 Villas.

Third Star: 8 Villas.

145D - WIRING DIAGRAM. Connection detail: 1S regenerator - Power supply set - Star (Terminals - Line adapter).

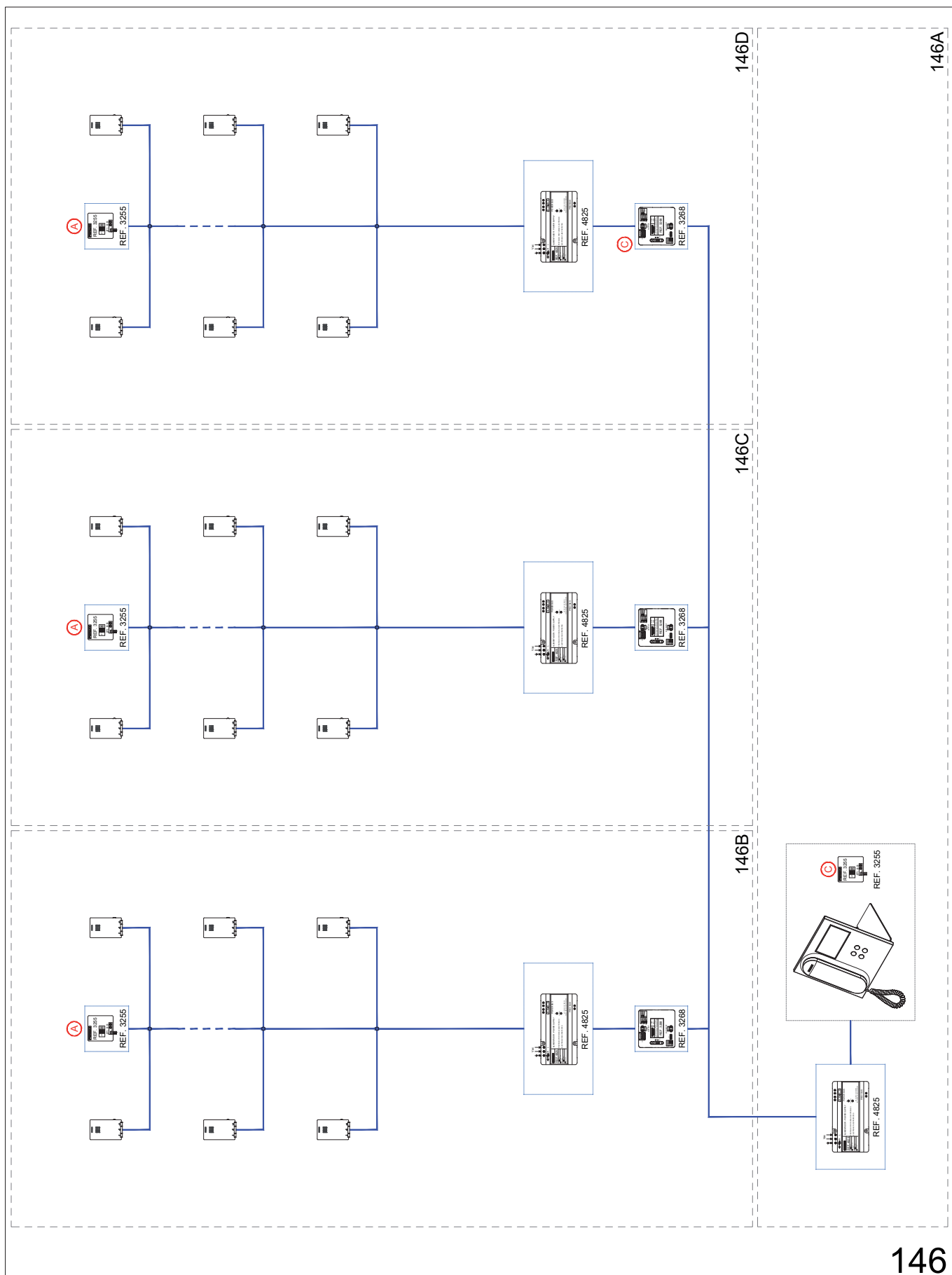


Third star: 8 Villas.

145D

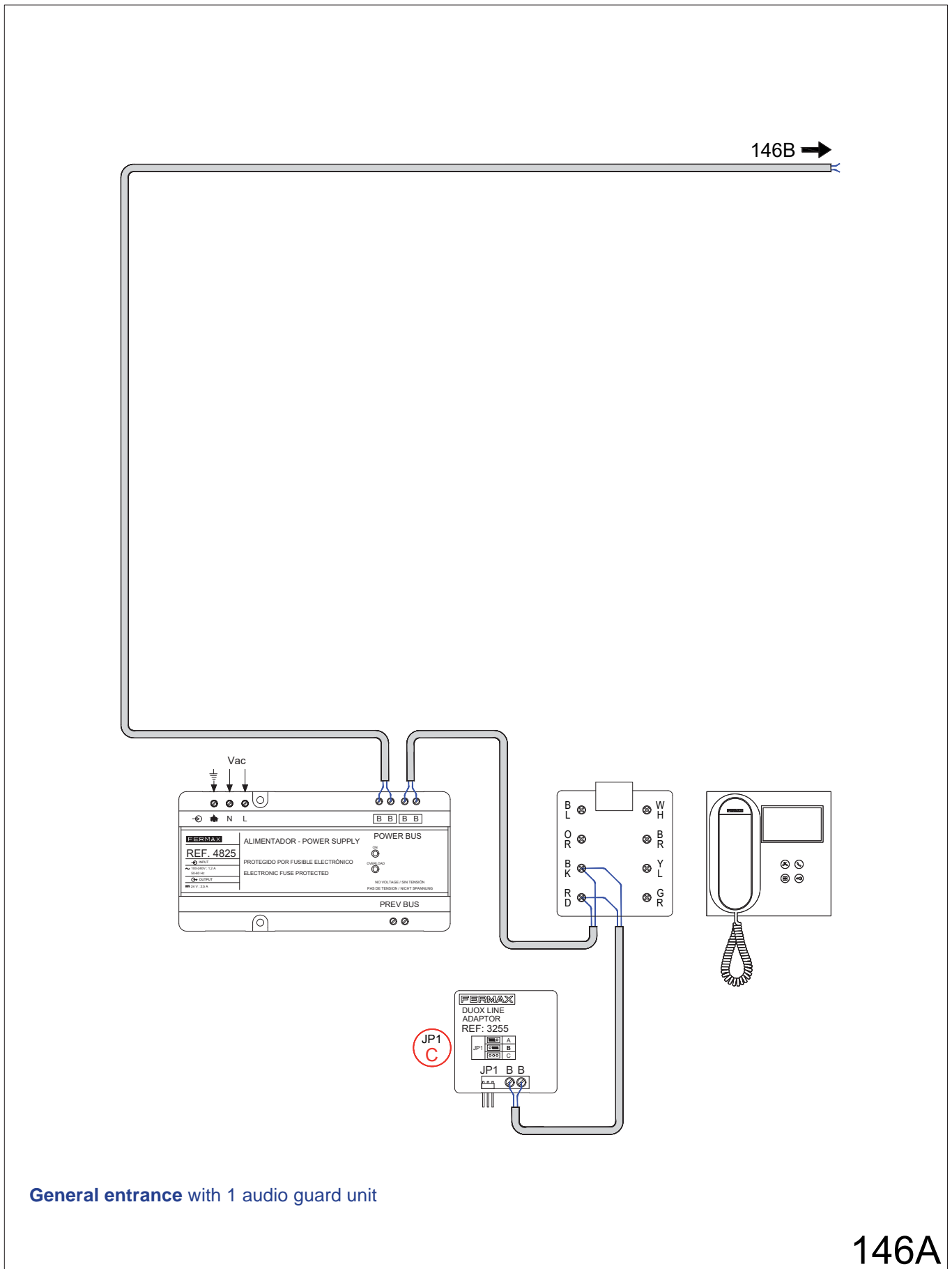
General entrance with 1 audio guard unit to 3 equal internal blocks without outdoor panels.  
 Each block. 1 Riser Distribution 2 terminals per floor.

146 - SINGLE-LINE DIAGRAM.



General entrance with 1 audio guard unit to 3 equal internal blocks without outdoor panels.  
 Each block. 1 Riser Distribution 2 terminals per floor.

146A - WIRING DIAGRAM. Connection detail: Guard unit - Power supply set - Line adapter.

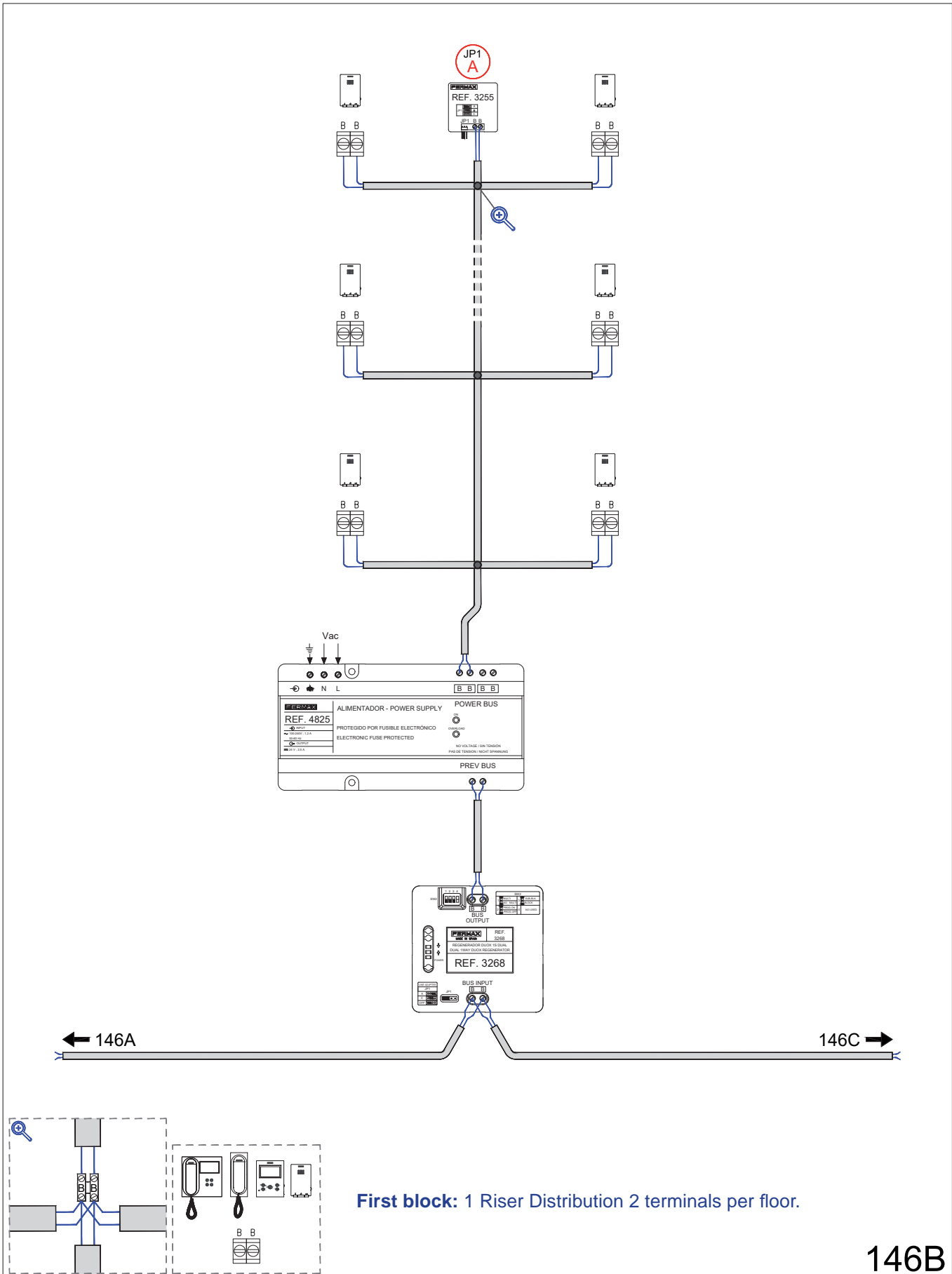


General entrance with 1 audio guard unit

146A

General entrance with 1 audio guard unit to 3 equal internal blocks without outdoor panels.  
 Each block. 1 Riser Distribution 2 terminals per floor.

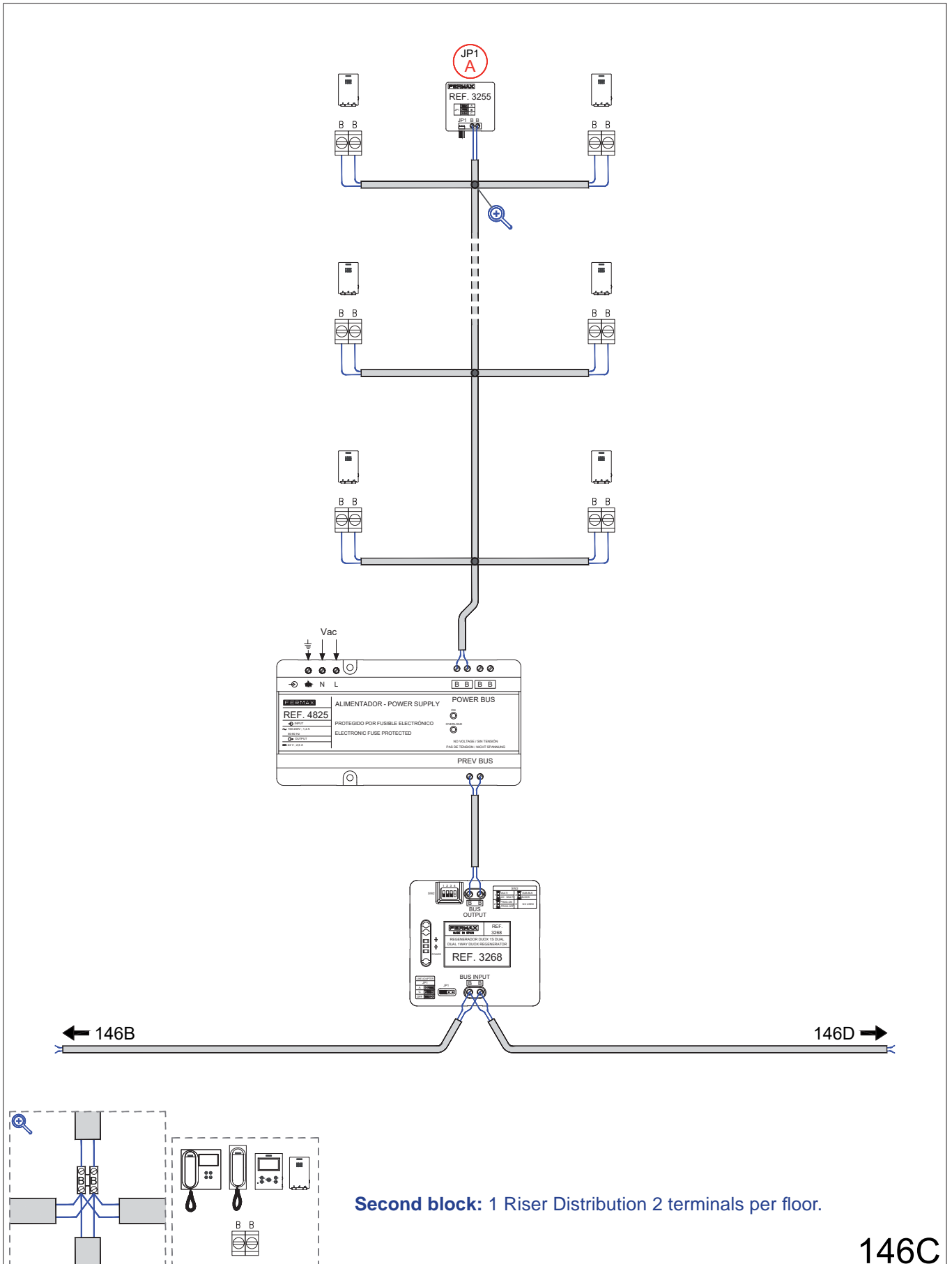
146B - WIRING DIAGRAM. Connection detail: 1S regenerator - Power supply set - Floors (Terminals - Line adapters).



146B

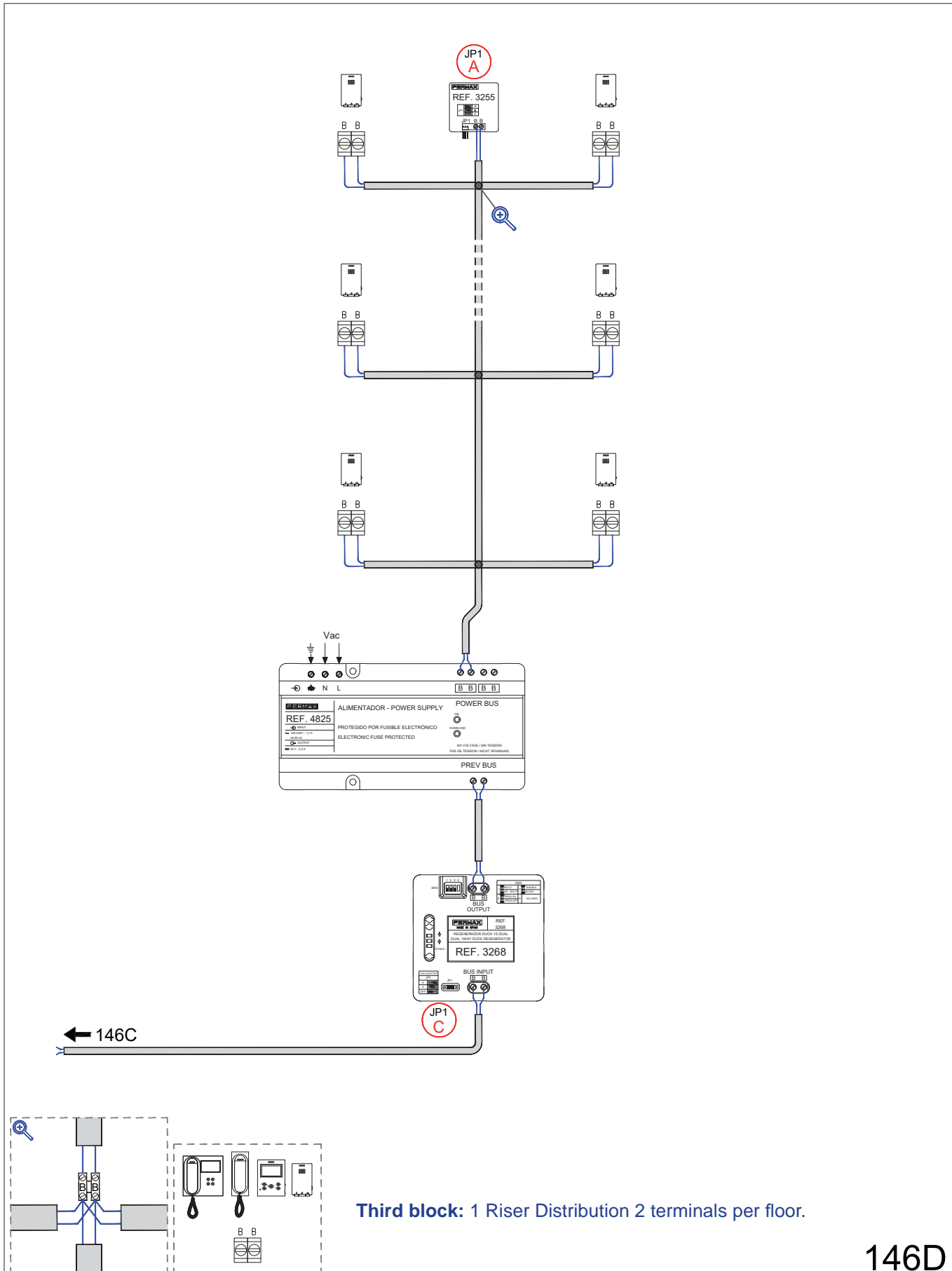
General entrance with 1 audio guard unit to 3 equal internal blocks without outdoor panels.  
 Each block. 1 Riser Distribution 2 terminals per floor.

146C - WIRING DIAGRAM. Connection detail: 1S regenerator - Power supply set - Floors (Terminals - Line adapters).



General entrance with 1 audio guard unit to 3 equal internal blocks without outdoor panels.  
 Each block. 1 Riser Distribution 2 terminals per floor.

146D - WIRING DIAGRAM. Connection detail: 1S regenerator - Power supply set - Floors (Terminals - Line adapters).



Third block: 1 Riser Distribution 2 terminals per floor.

146D

### 2.3.5 GENERAL ENTRANCES TO INTERNAL BLOCKS WITH OUTDOOR PANELS

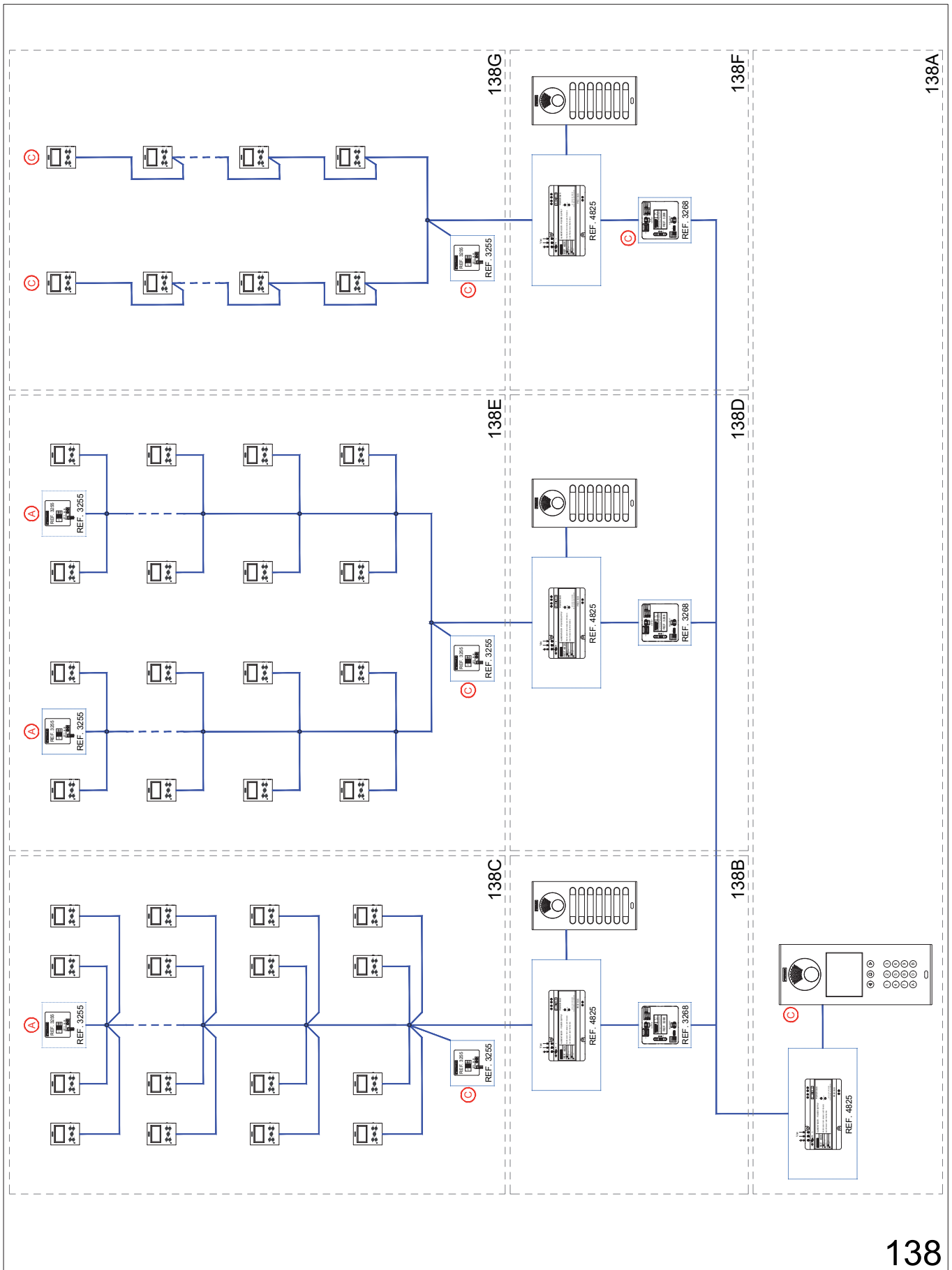
General entrance with 1 video access to 3 internal blocks with outdoor panels.

First block: 1 video access with 1 riser. Distribution 4 terminals per floor.

Second block: 1 video access with 2 risers. Distribution 2 terminals per floor.

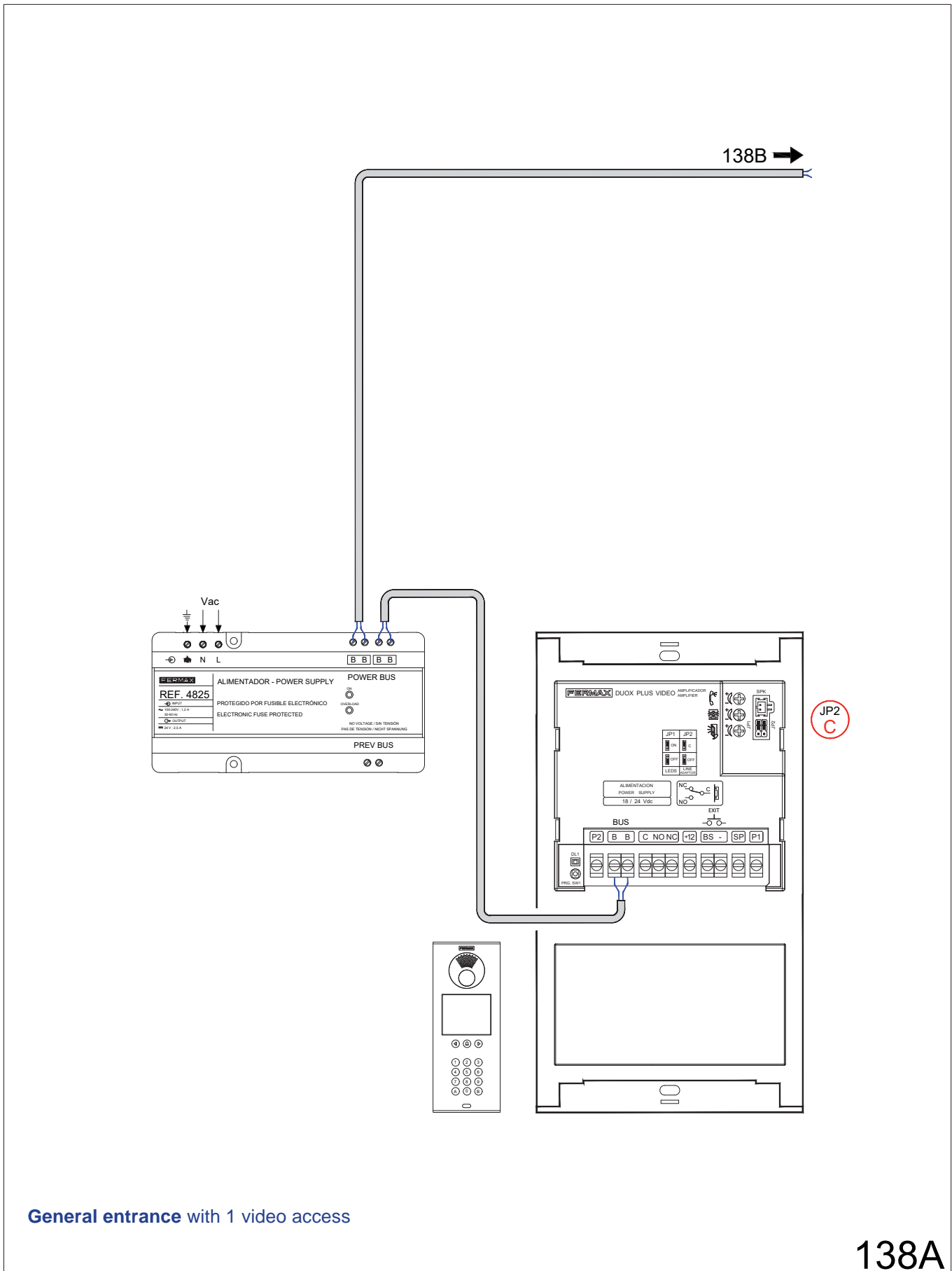
Third block: 1 video access with 2 risers. Cascade.

138 - SINGLE-LINE DIAGRAM.



General entrance with 1 video access to 3 internal blocks with outdoor panels.  
 First block: 1 video access with 1 riser. Distribution 4 terminals per floor.  
 Second block: 1 video access with 2 risers. Distribution 2 terminals per floor.  
 Third block: 1 video access with 2 risers. Cascade.

138A - WIRING DIAGRAM. Connection detail: Outdoor panel - Power supply set.



General entrance with 1 video access

138A

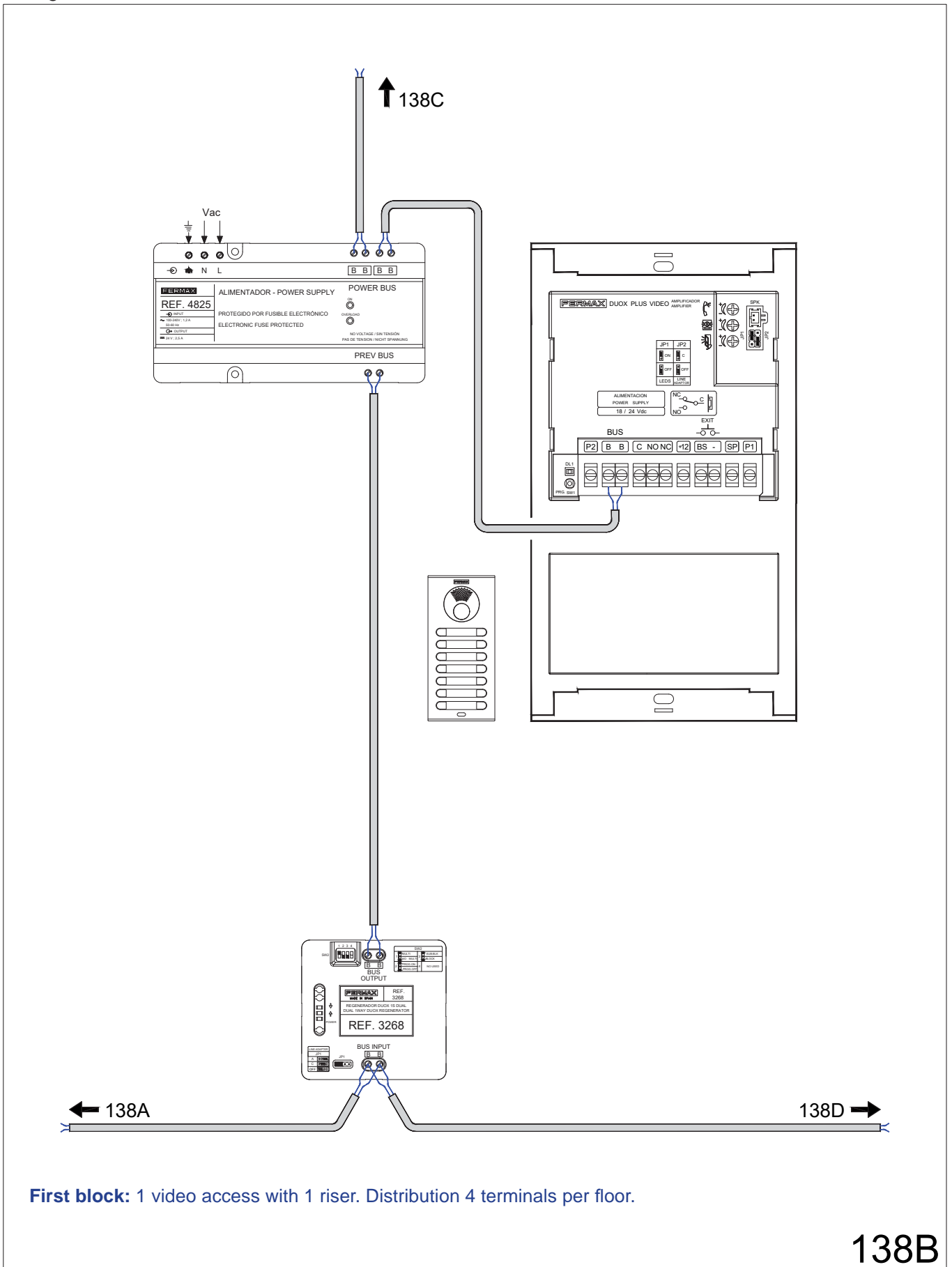
General entrance with 1 video access to 3 internal blocks with outdoor panels.

First block: 1 video access with 1 riser. Distribution 4 terminals per floor.

Second block: 1 video access with 2 risers. Distribution 2 terminals per floor.

Third block: 1 video access with 2 risers. Cascade.

138B - WIRING DIAGRAM. Connection detail: Outdoor panel - Power supply set - 1S multi-channel regenerator.

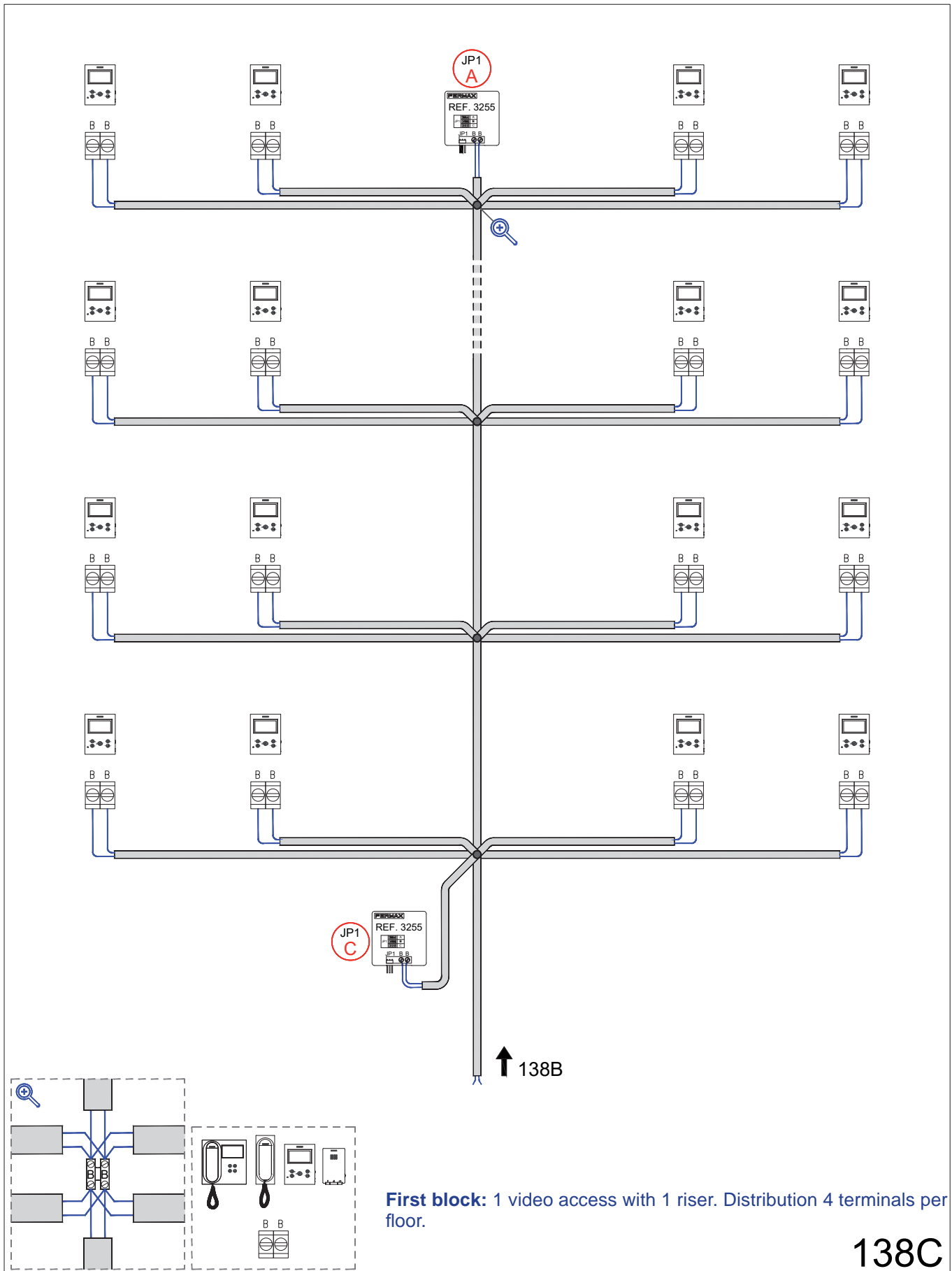


First block: 1 video access with 1 riser. Distribution 4 terminals per floor.

138B

General entrance with 1 video access to 3 internal blocks with outdoor panels.  
 First block: 1 video access with 1 riser. Distribution 4 terminals per floor.  
 Second block: 1 video access with 2 risers. Distribution 2 terminals per floor.  
 Third block: 1 video access with 2 risers. Cascade.

138C - WIRING DIAGRAM. Connection detail: Floors (Terminals - Line adapters).



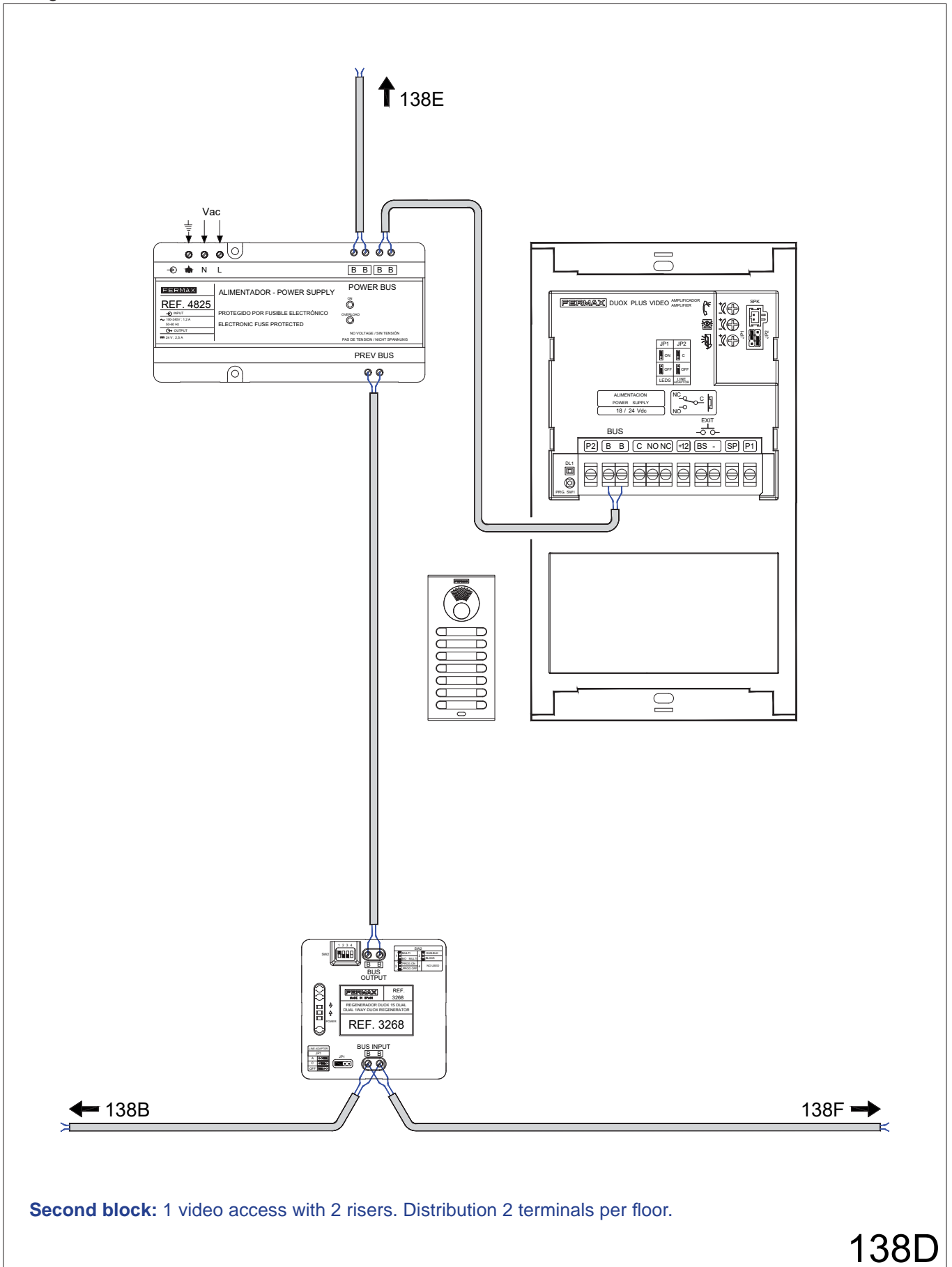
General entrance with 1 video access to 3 internal blocks with outdoor panels.

First block: 1 video access with 1 riser. Distribution 4 terminals per floor.

Second block: 1 video access with 2 risers. Distribution 2 terminals per floor.

Third block: 1 video access with 2 risers. Cascade.

138D - WIRING DIAGRAM. Connection detail: Outdoor panel - Power supply set - 1S multi-channel regenerator.

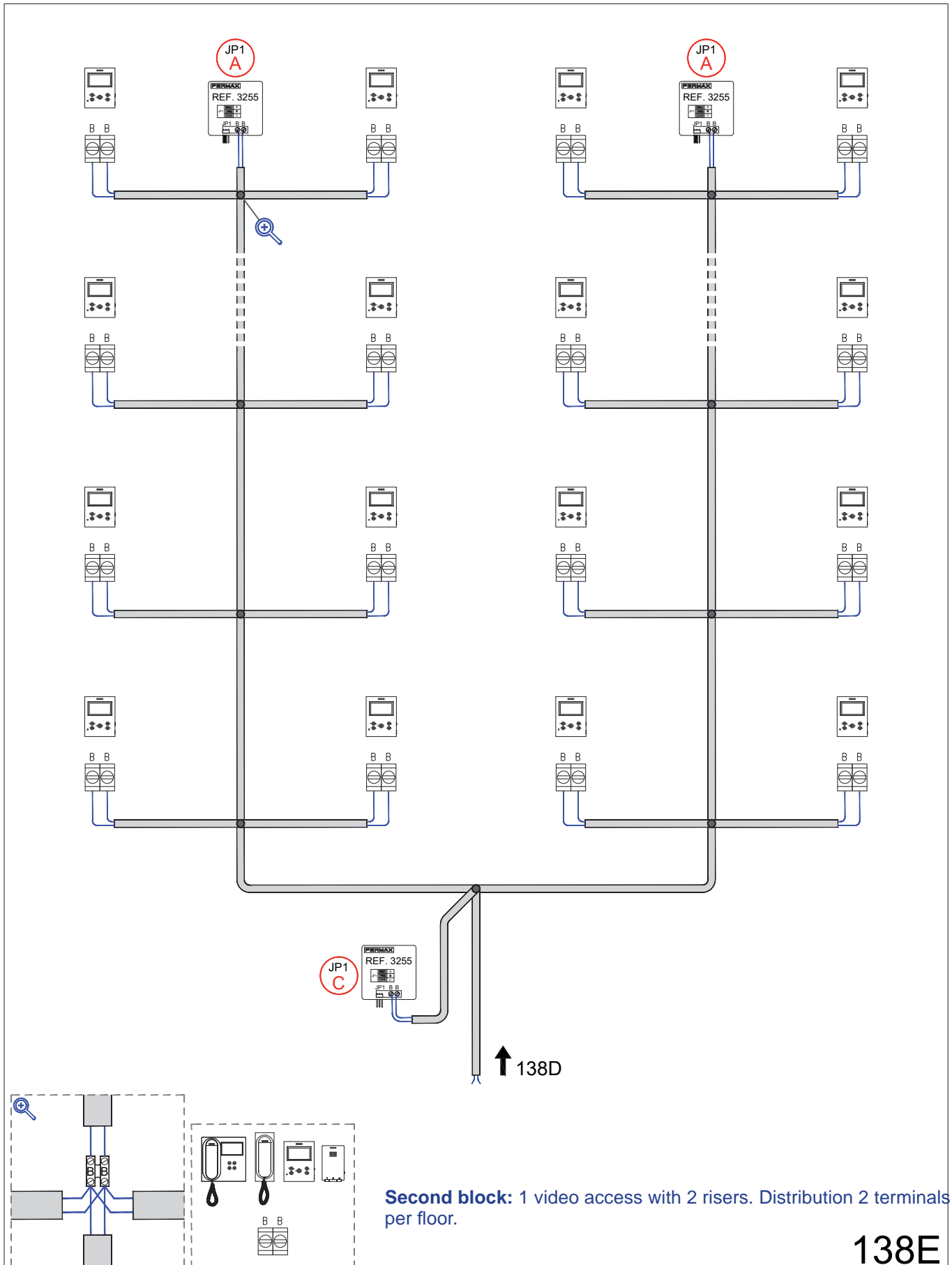


Second block: 1 video access with 2 risers. Distribution 2 terminals per floor.

138D

General entrance with 1 video access to 3 internal blocks with outdoor panels.  
 First block: 1 video access with 1 riser. Distribution 4 terminals per floor.  
 Second block: 1 video access with 2 risers. Distribution 2 terminals per floor.  
 Third block: 1 video access with 2 risers. Cascade.

138E - WIRING DIAGRAM. Connection detail: Floors (Terminals - Line adapters).



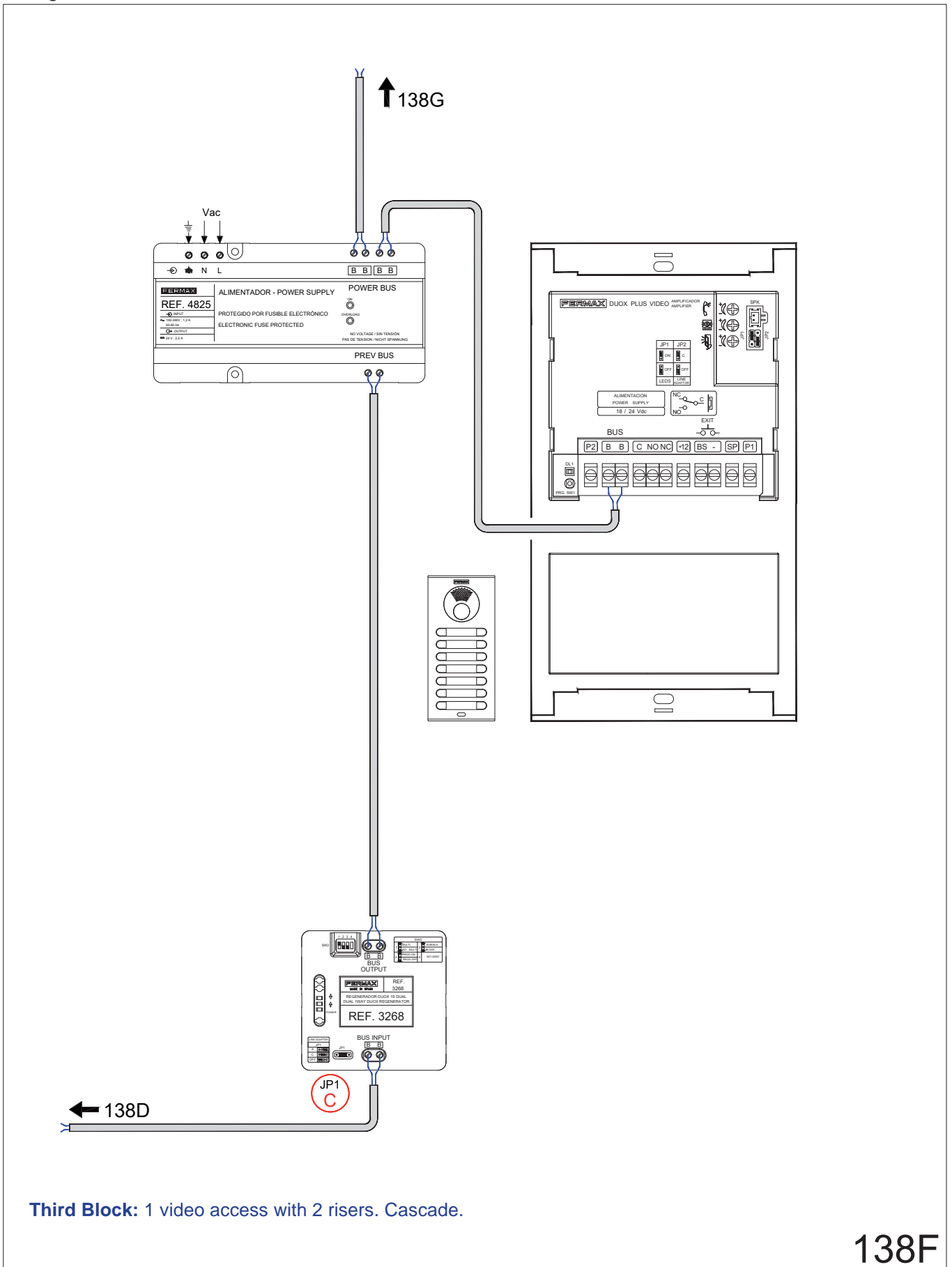
General entrance with 1 video access to 3 internal blocks with outdoor panels.

First block: 1 video access with 1 riser. Distribution 4 terminals per floor.

Second block: 1 video access with 2 risers. Distribution 2 terminals per floor.

Third block: 1 video access with 2 risers. Cascade.

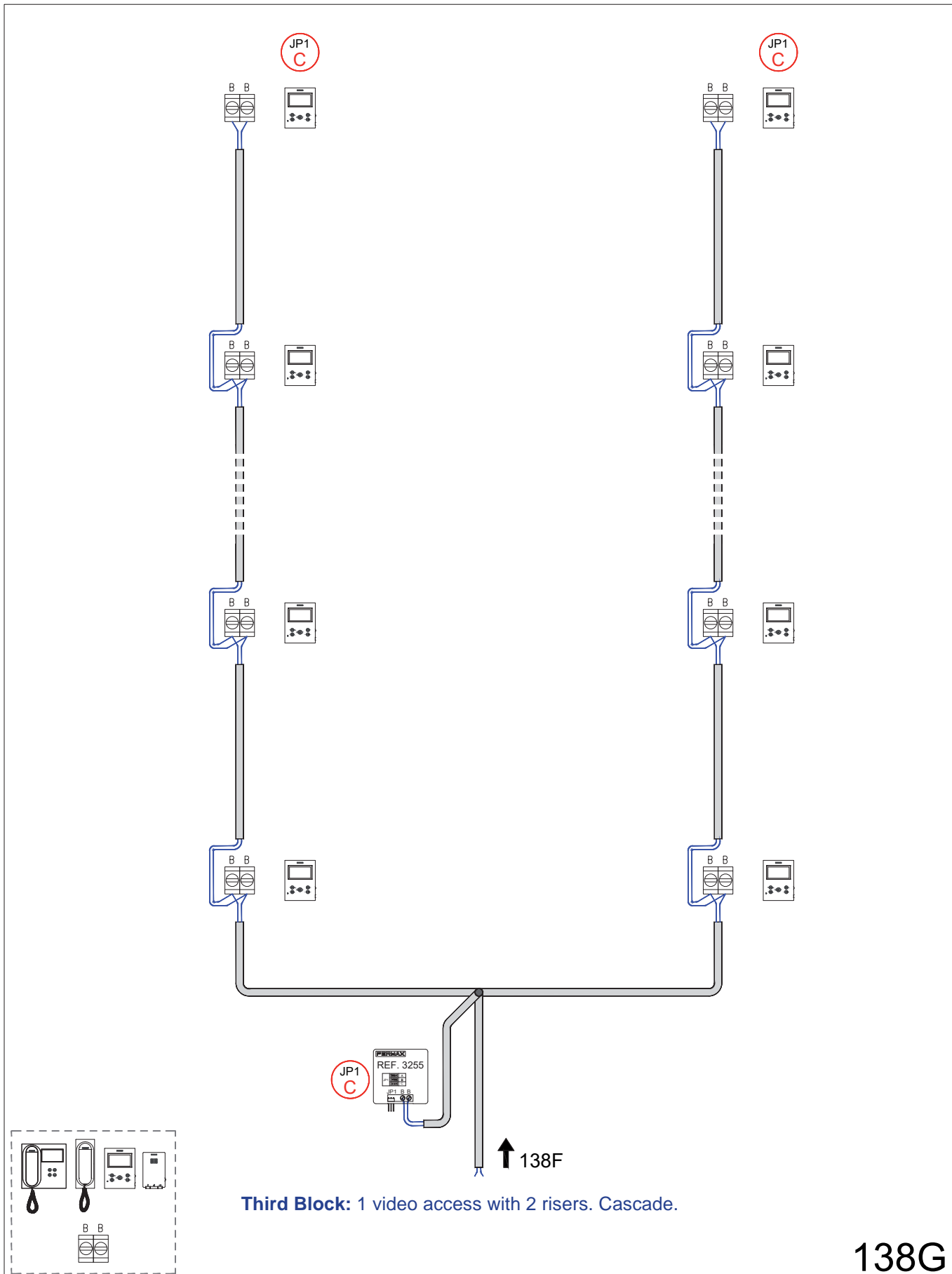
138F - WIRING DIAGRAM. Connection detail: Outdoor panel - Power supply set - 1S multi-channel regenerator.



Third Block: 1 video access with 2 risers. Cascade.

General entrance with 1 video access to 3 internal blocks with outdoor panels.  
 First block: 1 video access with 1 riser. Distribution 4 terminals per floor.  
 Second block: 1 video access with 2 risers. Distribution 2 terminals per floor.  
 Third block: 1 video access with 2 risers. Cascade.

138G - WIRING DIAGRAM. Connection detail: Floors (Terminals - Line adapter).



138G

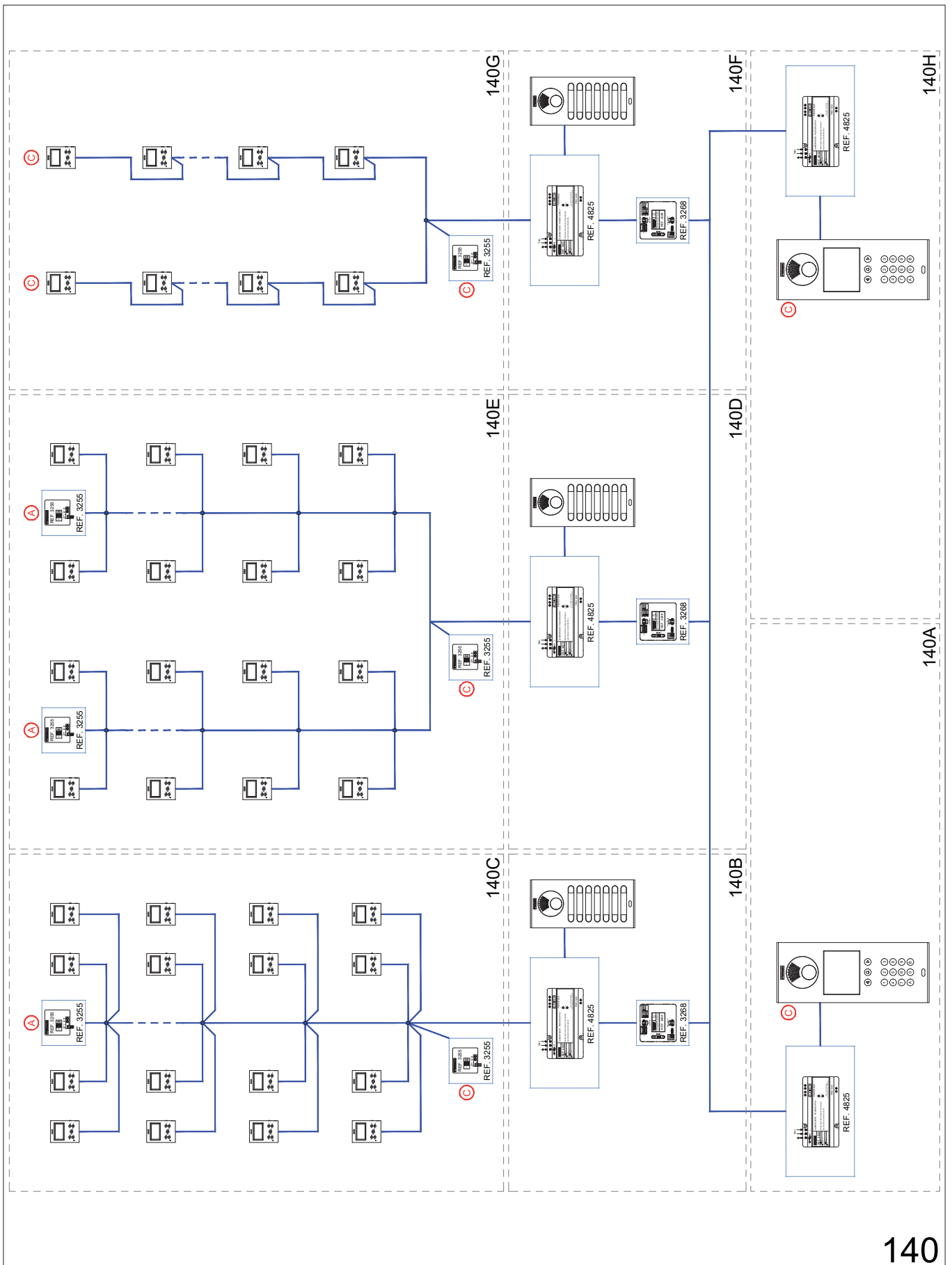
General entrance with 2 video accesses to 3 internal blocks with outdoor panels.

First block: 1 video access with 1 riser. Distribution 4 terminals per floor.

Second block: 1 video access with 2 risers. Distribution 2 terminals per floor.

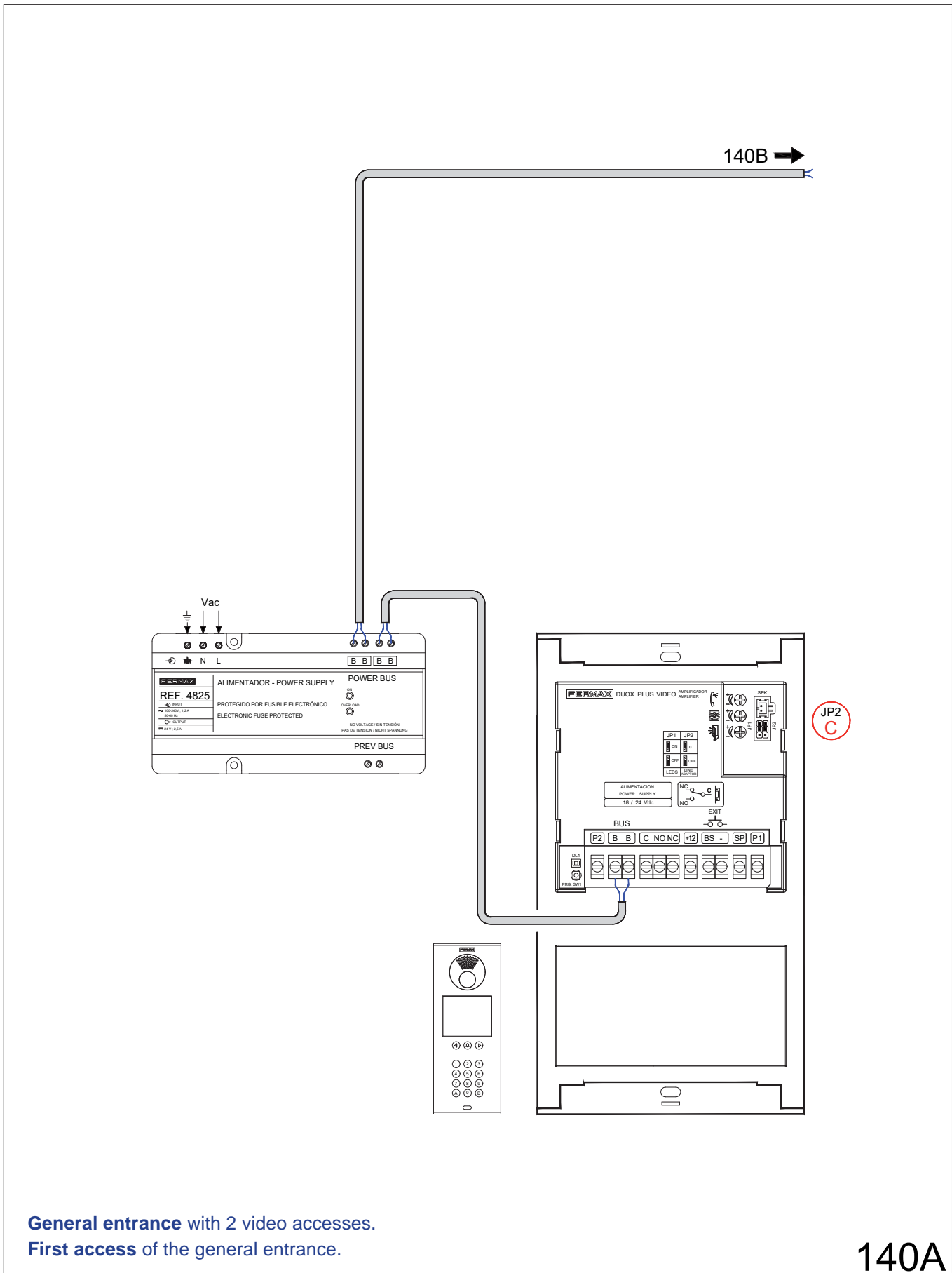
Third block: 1 video access with 2 risers. Cascade.

140 - SINGLE-LINE DIAGRAM.



General entrance with 2 video accesses to 3 internal blocks with outdoor panels.  
 First block: 1 video access with 1 riser. Distribution 4 terminals per floor.  
 Second block: 1 video access with 2 risers. Distribution 2 terminals per floor.  
 Third block: 1 video access with 2 risers. Cascade.

140A - WIRING DIAGRAM. Connection detail: Outdoor panel - Power supply set.



General entrance with 2 video accesses.  
 First access of the general entrance.

140A

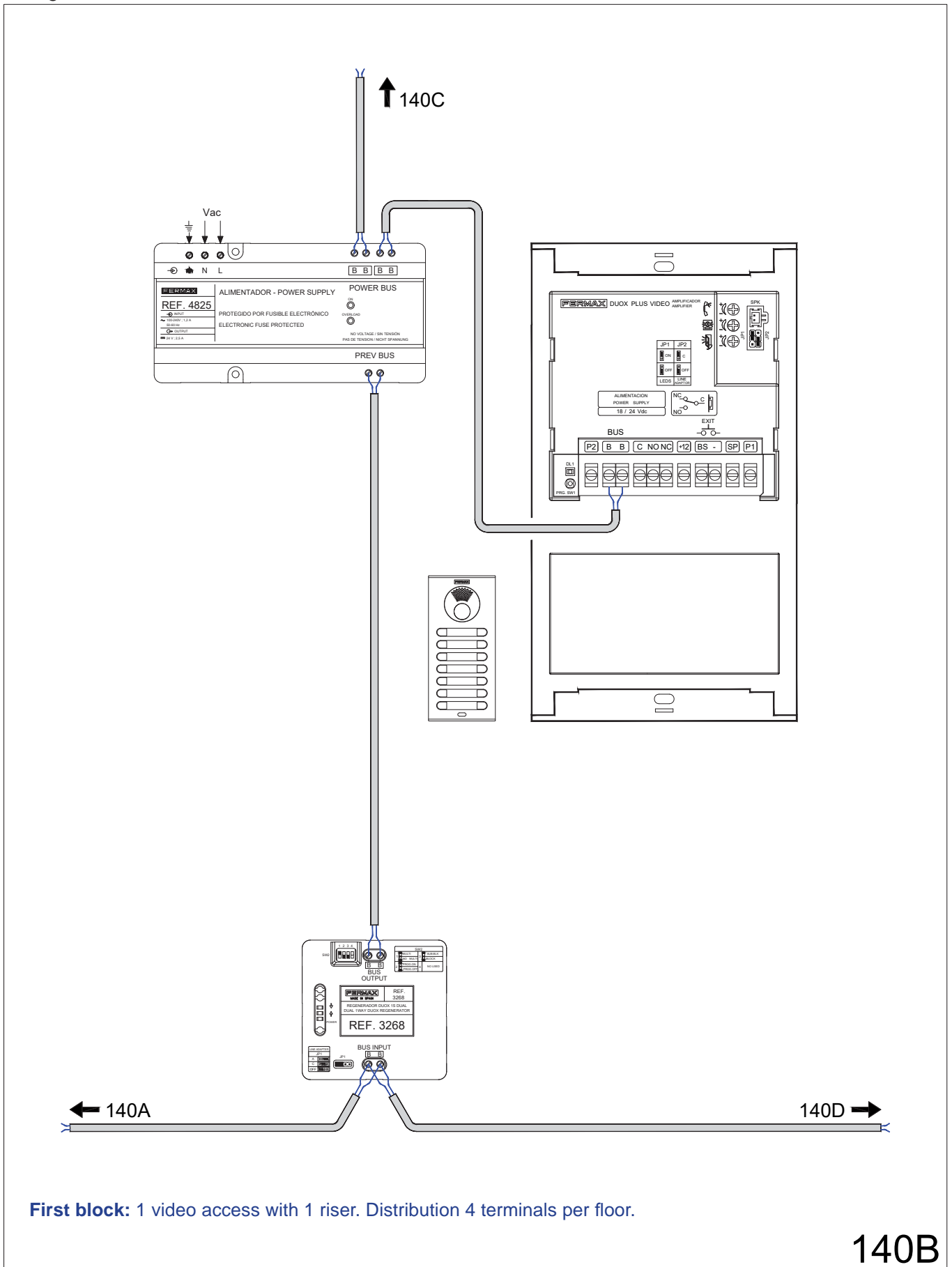
General entrance with 2 video accesses to 3 internal blocks with outdoor panels.

First block: 1 video access with 1 riser. Distribution 4 terminals per floor.

Second block: 1 video access with 2 risers. Distribution 2 terminals per floor.

Third block: 1 video access with 2 risers. Cascade.

140B - WIRING DIAGRAM. Connection detail: Outdoor panel - Power supply set - 1S multi-channel regenerator.

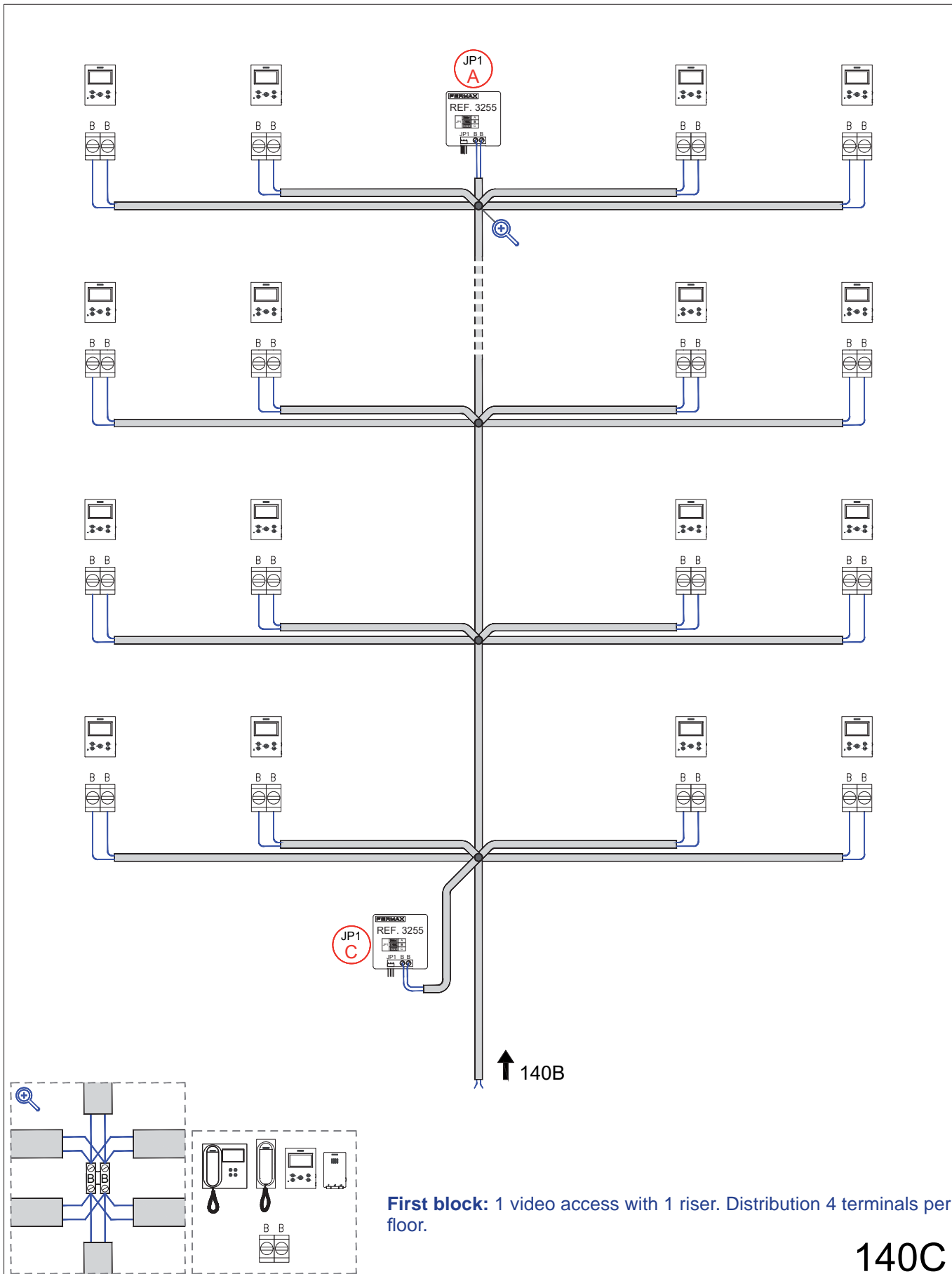


First block: 1 video access with 1 riser. Distribution 4 terminals per floor.

140B

General entrance with 2 video accesses to 3 internal blocks with outdoor panels.  
 First block: 1 video access with 1 riser. Distribution 4 terminals per floor.  
 Second block: 1 video access with 2 risers. Distribution 2 terminals per floor.  
 Third block: 1 video access with 2 risers. Cascade.

140C - WIRING DIAGRAM. Connection detail: Floors (Terminals - Line adapters).



**First block:** 1 video access with 1 riser. Distribution 4 terminals per floor.

140C

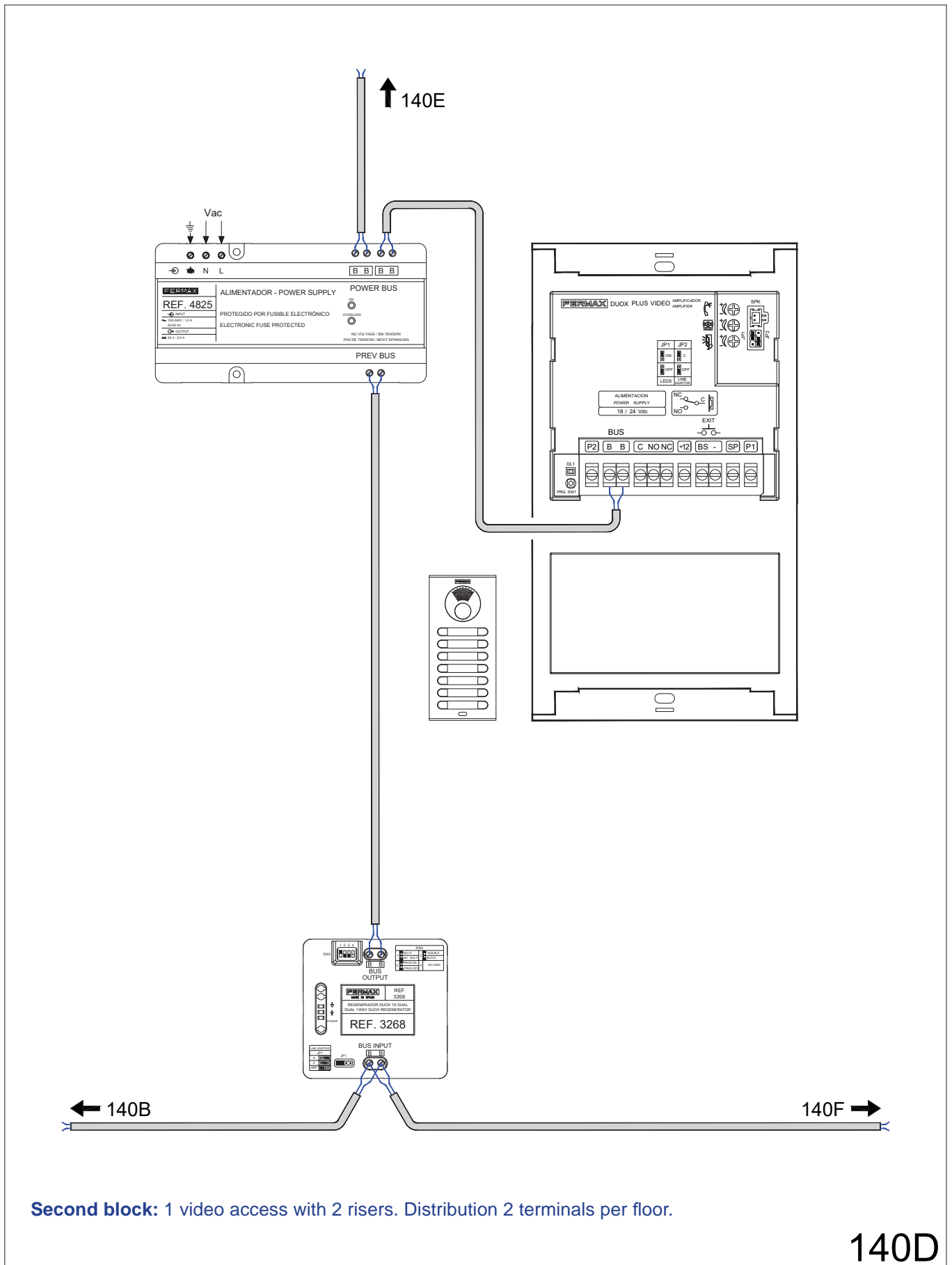
General entrance with 2 video accesses to 3 internal blocks with outdoor panels.

First block: 1 video access with 1 riser. Distribution 4 terminals per floor.

Second block: 1 video access with 2 risers. Distribution 2 terminals per floor.

Third block: 1 video access with 2 risers. Cascade.

140D - WIRING DIAGRAM. Connection detail: Outdoor panel - Power supply set - 1S multi-channel regenerator.

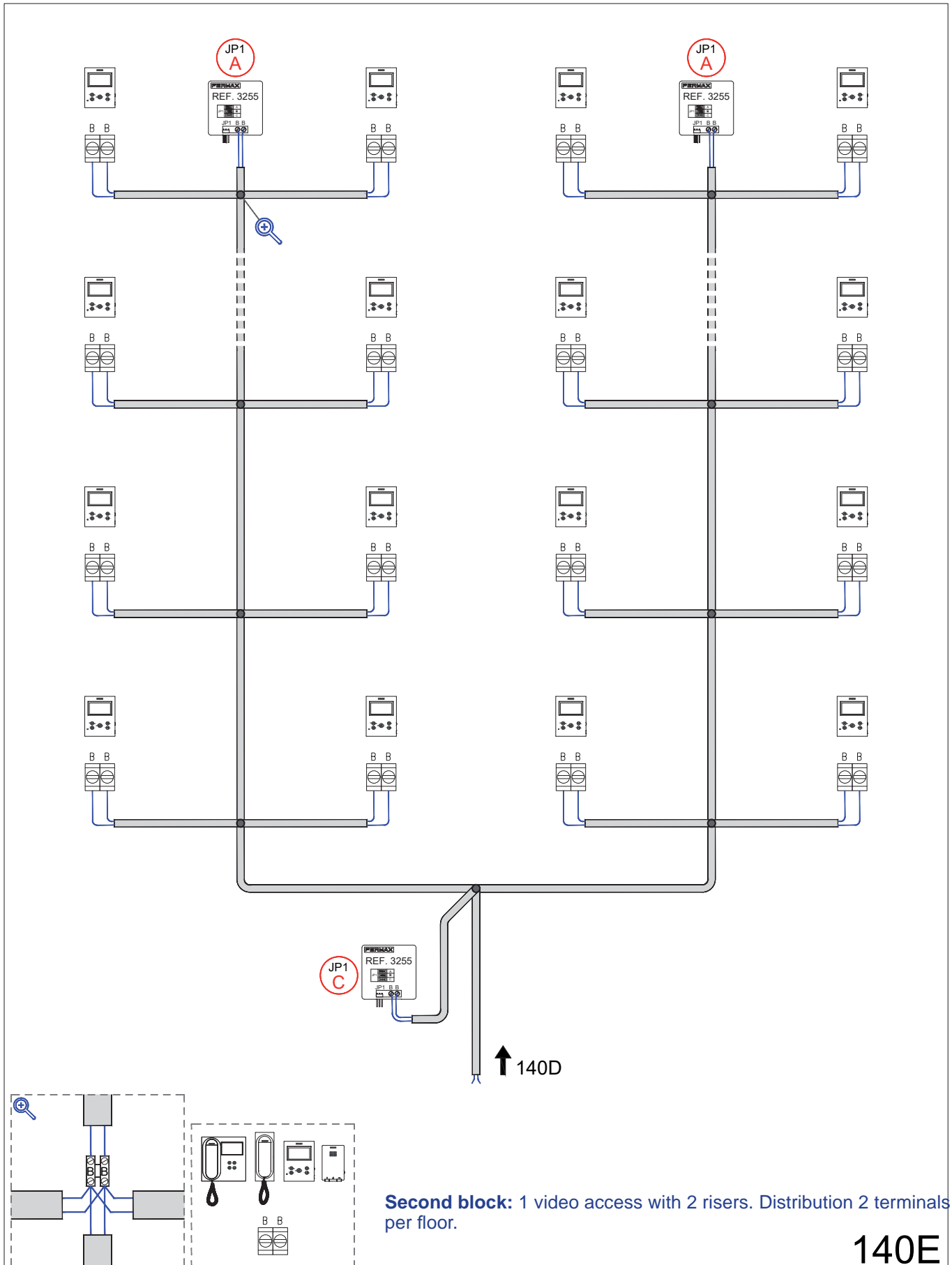


Second block: 1 video access with 2 risers. Distribution 2 terminals per floor.

140D

General entrance with 2 video accesses to 3 internal blocks with outdoor panels.  
 First block: 1 video access with 1 riser. Distribution 4 terminals per floor.  
 Second block: 1 video access with 2 risers. Distribution 2 terminals per floor.  
 Third block: 1 video access with 2 risers. Cascade.

140E - WIRING DIAGRAM. Connection detail: Floors (Terminals - Line adapters).



140E

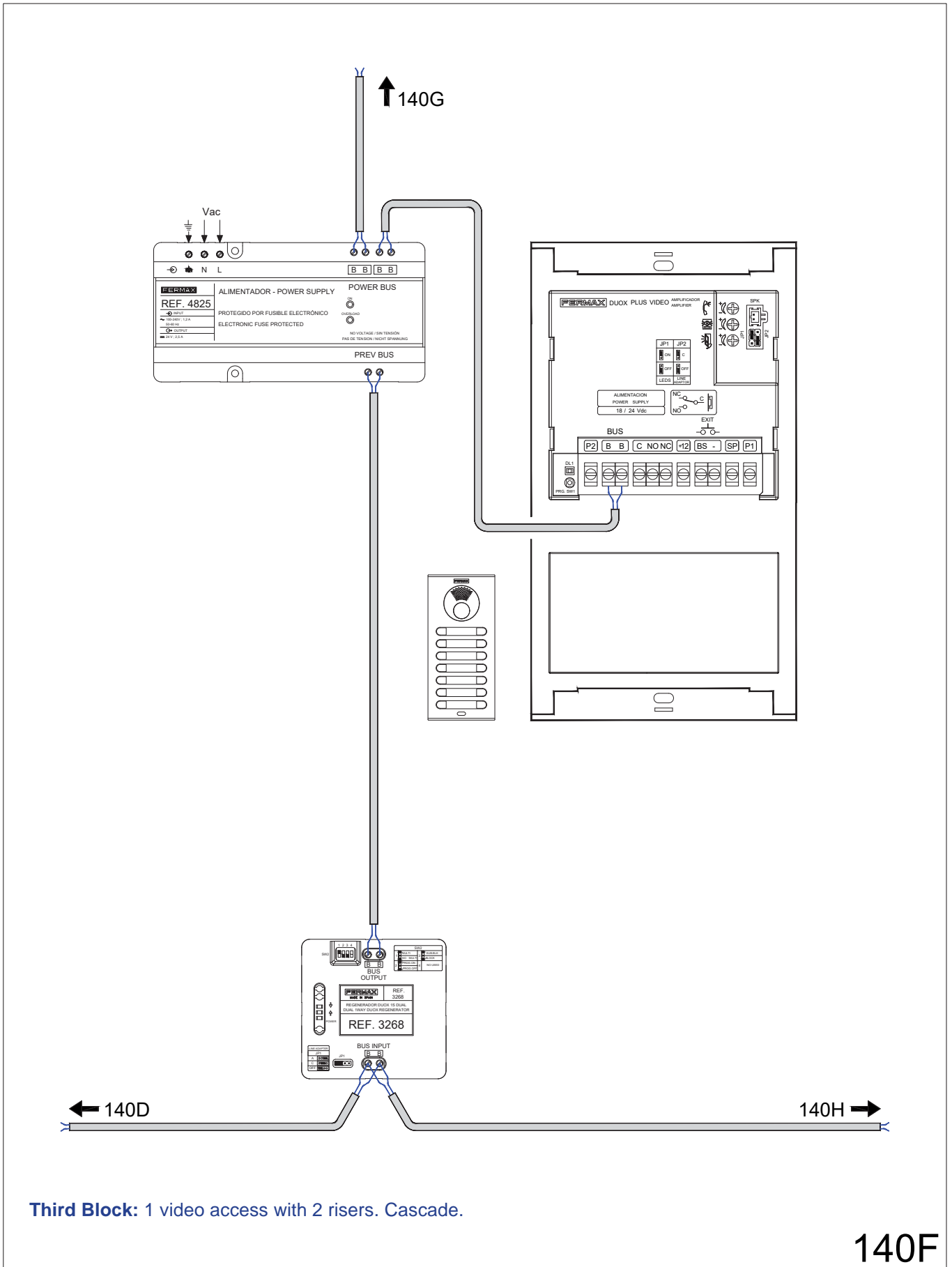
General entrance with 2 video accesses to 3 internal blocks with outdoor panels.

First block: 1 video access with 1 riser. Distribution 4 terminals per floor.

Second block: 1 video access with 2 risers. Distribution 2 terminals per floor.

Third block: 1 video access with 2 risers. Cascade.

140F - WIRING DIAGRAM. Connection detail: Outdoor panel - Power supply set - 1S multi-channel regenerator.



Third Block: 1 video access with 2 risers. Cascade.

140F

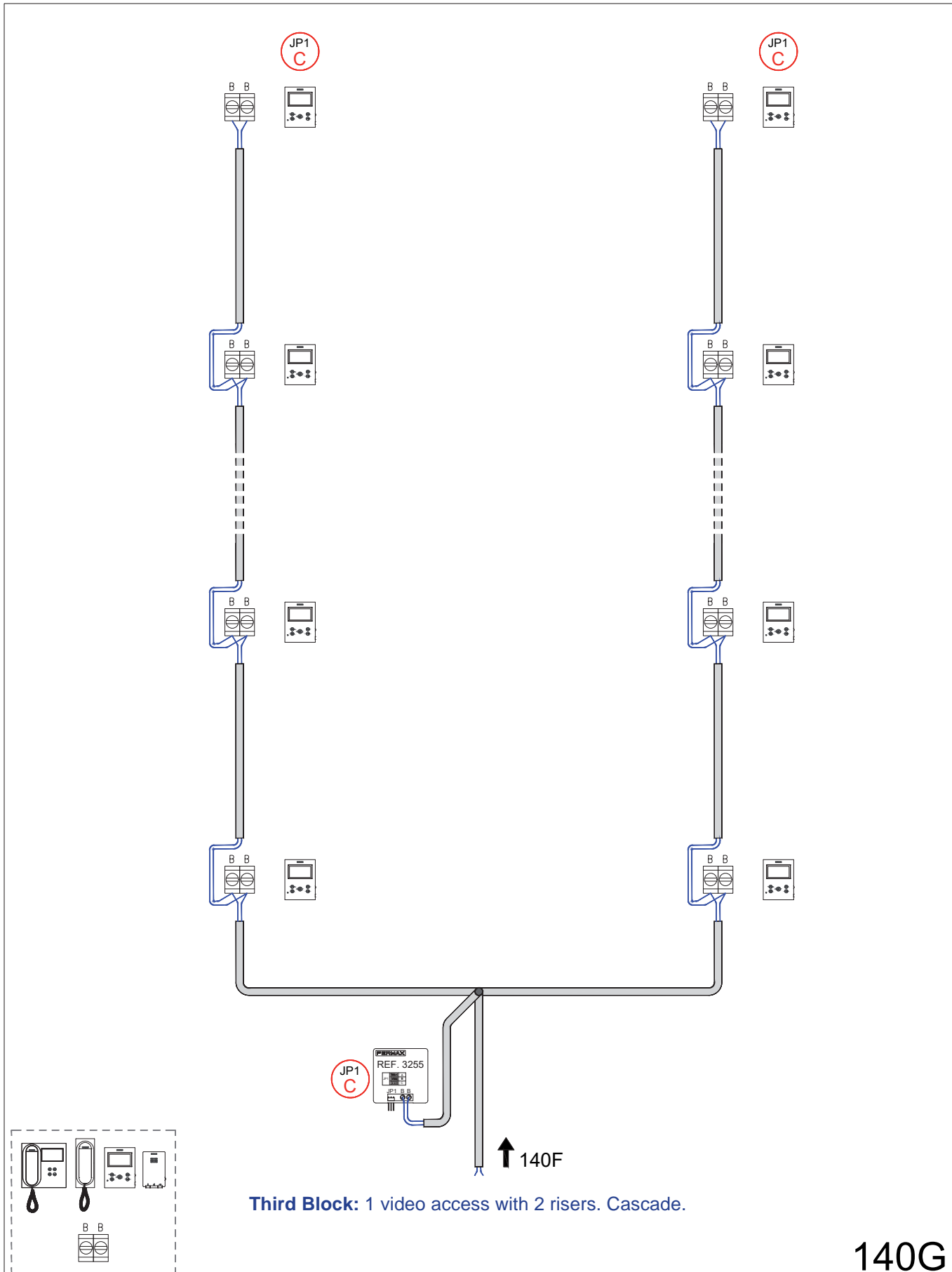
General entrance with 2 video accesses to 3 internal blocks with outdoor panels.

First block: 1 video access with 1 riser. Distribution 4 terminals per floor.

Second block: 1 video access with 2 risers. Distribution 2 terminals per floor.

Third block: 1 video access with 2 risers. Cascade.

140G - WIRING DIAGRAM. Connection detail: Floors (Terminals - Line adapter).



140G

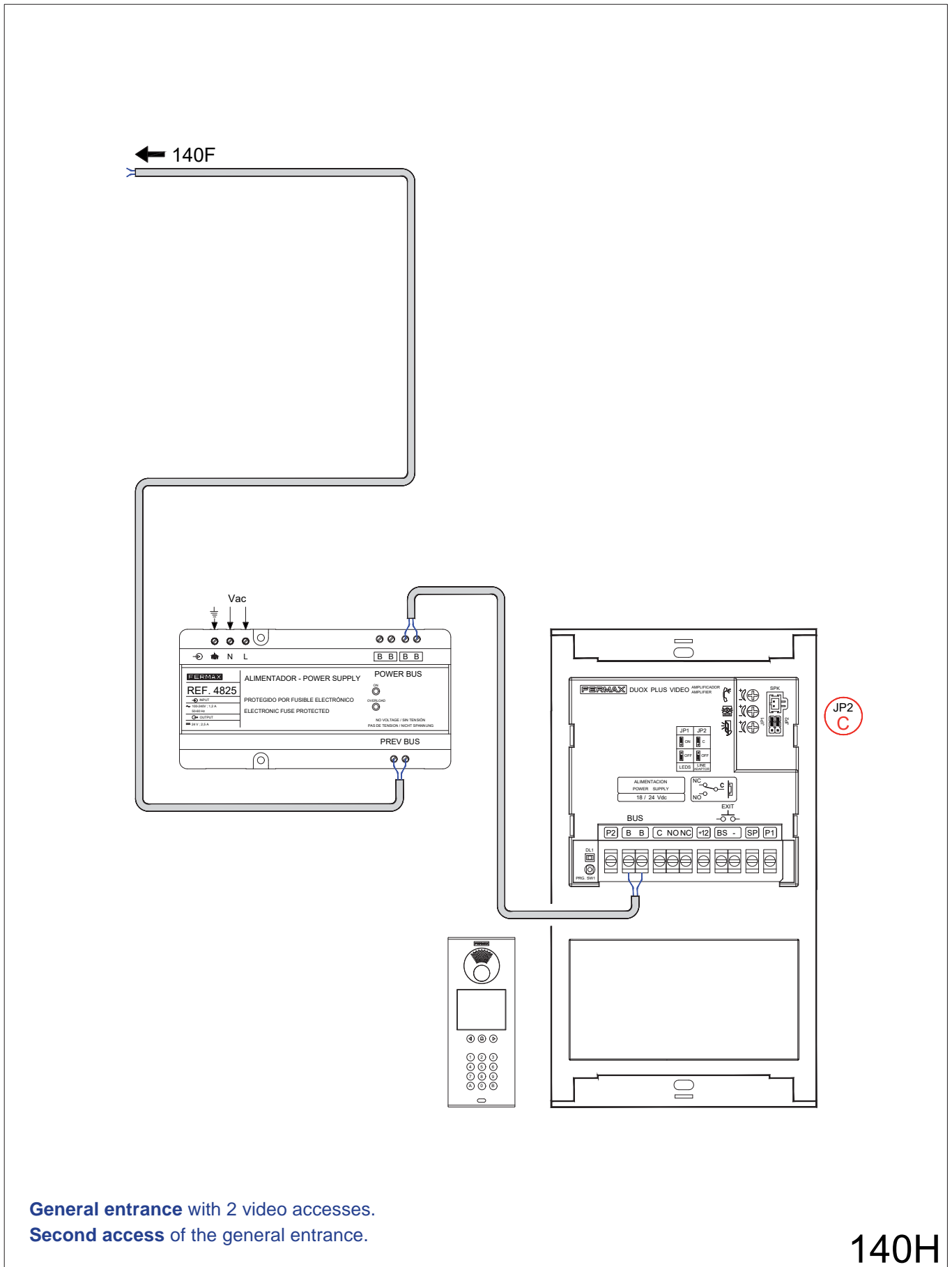
General entrance with 2 video accesses to 3 internal blocks with outdoor panels.

First block: 1 video access with 1 riser. Distribution 4 terminals per floor.

Second block: 1 video access with 2 risers. Distribution 2 terminals per floor.

Third block: 1 video access with 2 risers. Cascade.

140A - WIRING DIAGRAM. Connection detail: Outdoor panel - Power supply set.

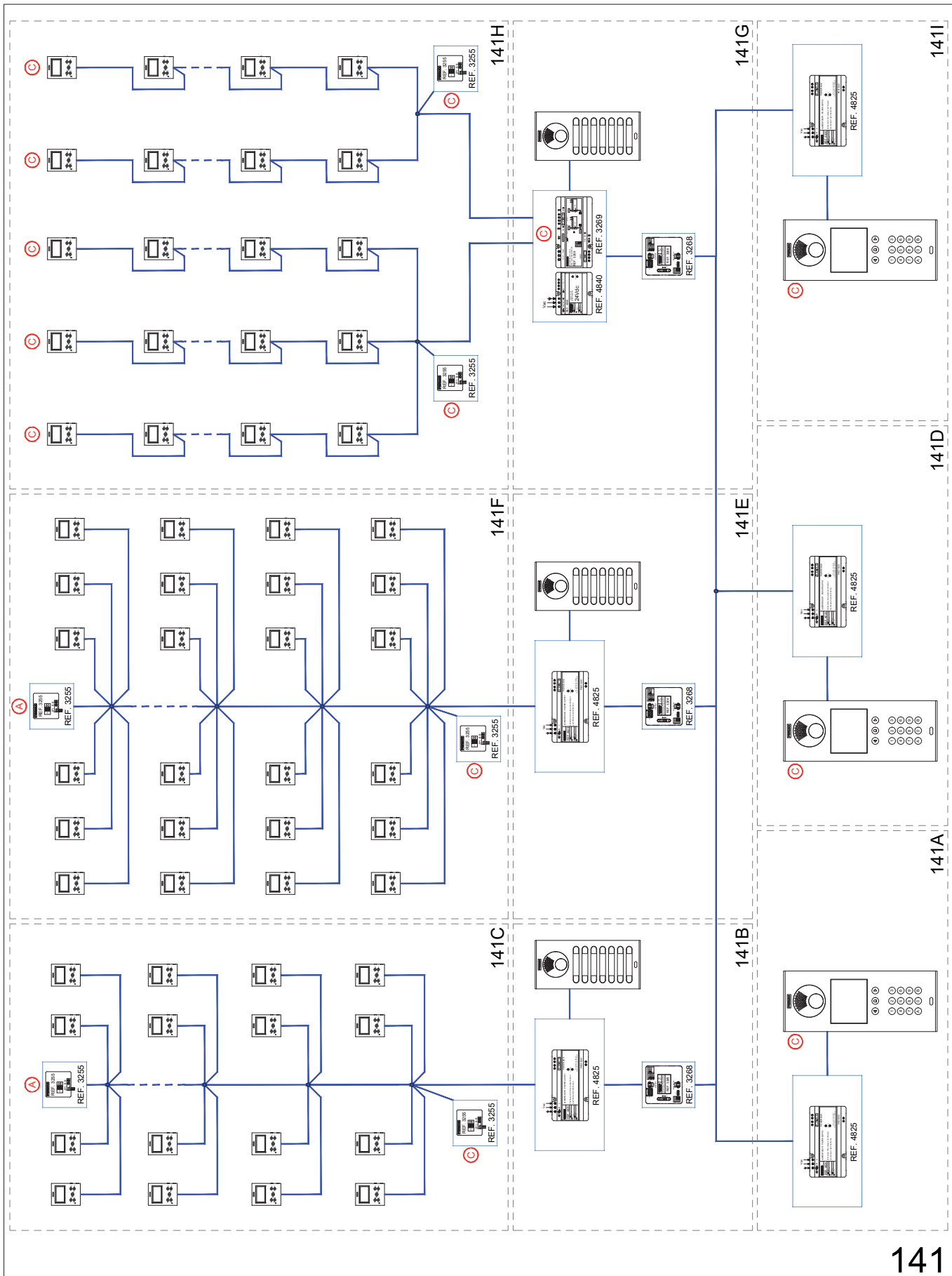


General entrance with 2 video accesses.  
Second access of the general entrance.

140H

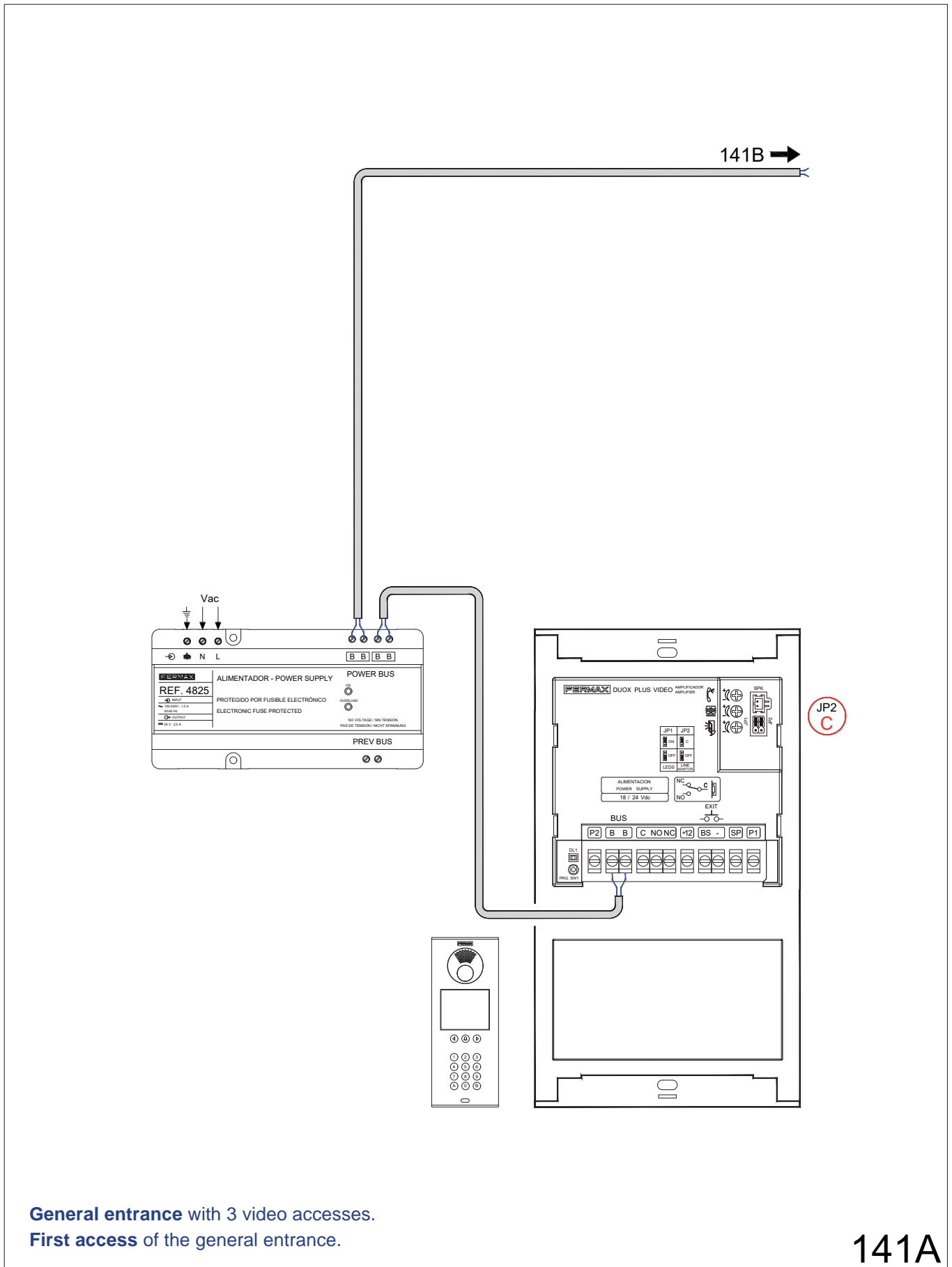
General entrance with 3 video accesses to 3 internal blocks with outdoor panels.  
 First block: 1 video access with 1 riser. Distribution 4 terminals per floor.  
 Second block: 1 video access with 2 risers. Distribution 6 terminals per floor.  
 Third block: 1 video access with 5 risers. Cascades.

141 - SINGLE-LINE DIAGRAM.



General entrance with 3 video accesses to 3 internal blocks with outdoor panels.  
 First block: 1 video access with 1 riser. Distribution 4 terminals per floor.  
 Second block: 1 video access with 2 risers. Distribution 6 terminals per floor.  
 Third block: 1 video access with 5 risers. Cascade.

141A - WIRING DIAGRAM. Connection detail: Outdoor panel - Power supply set.



General entrance with 3 video accesses.  
 First access of the general entrance.

141A

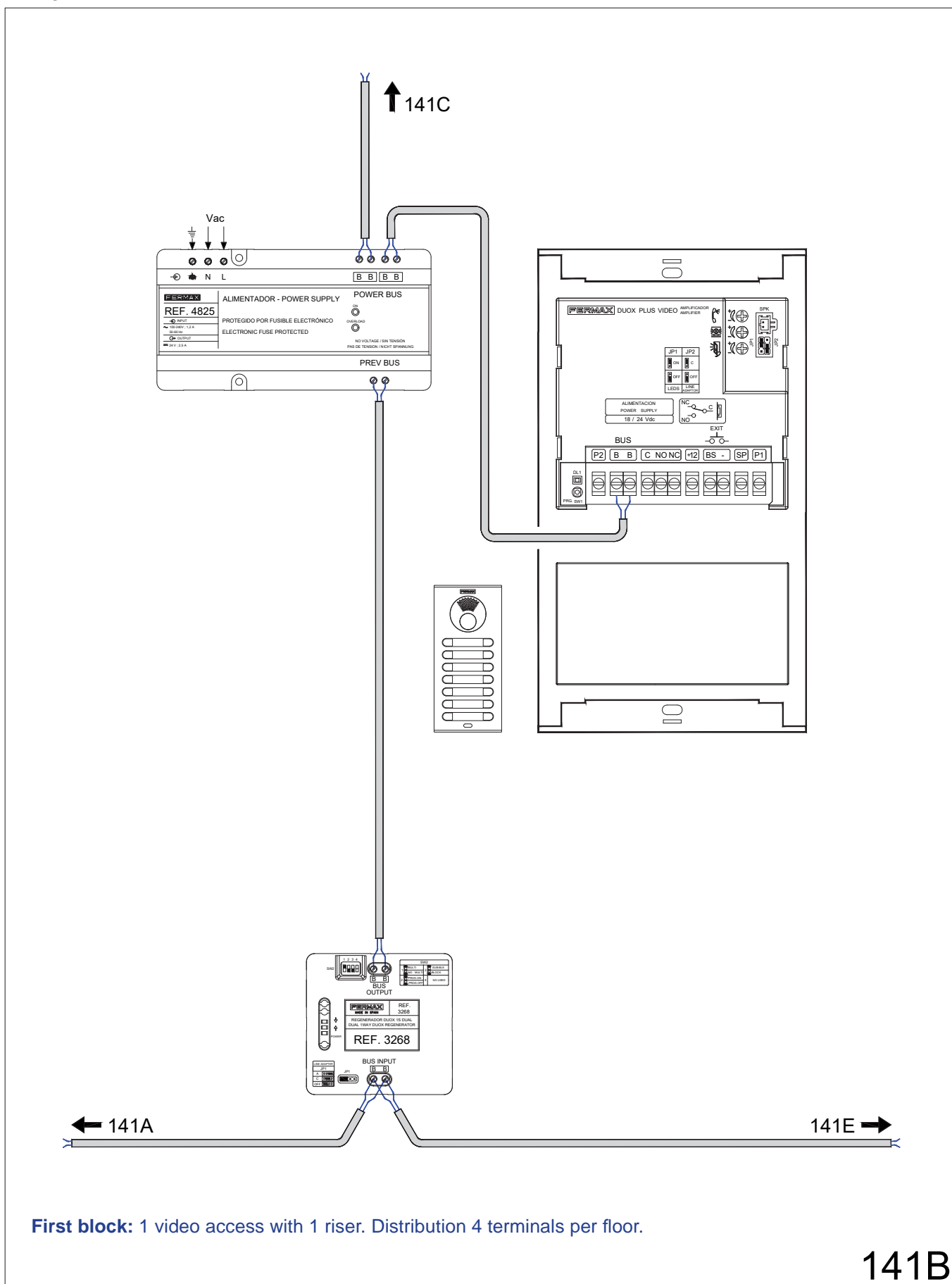
General entrance with 3 video accesses to 3 internal blocks with outdoor panels.

First block: 1 video access with 1 riser. Distribution 4 terminals per floor.

Second block: 1 video access with 2 risers. Distribution 6 terminals per floor.

Third block: 1 video access with 5 risers. Cascade.

141B - WIRING DIAGRAM. Connection detail: Outdoor panel - Power supply set - 1S multi-channel regenerator.



First block: 1 video access with 1 riser. Distribution 4 terminals per floor.

141B

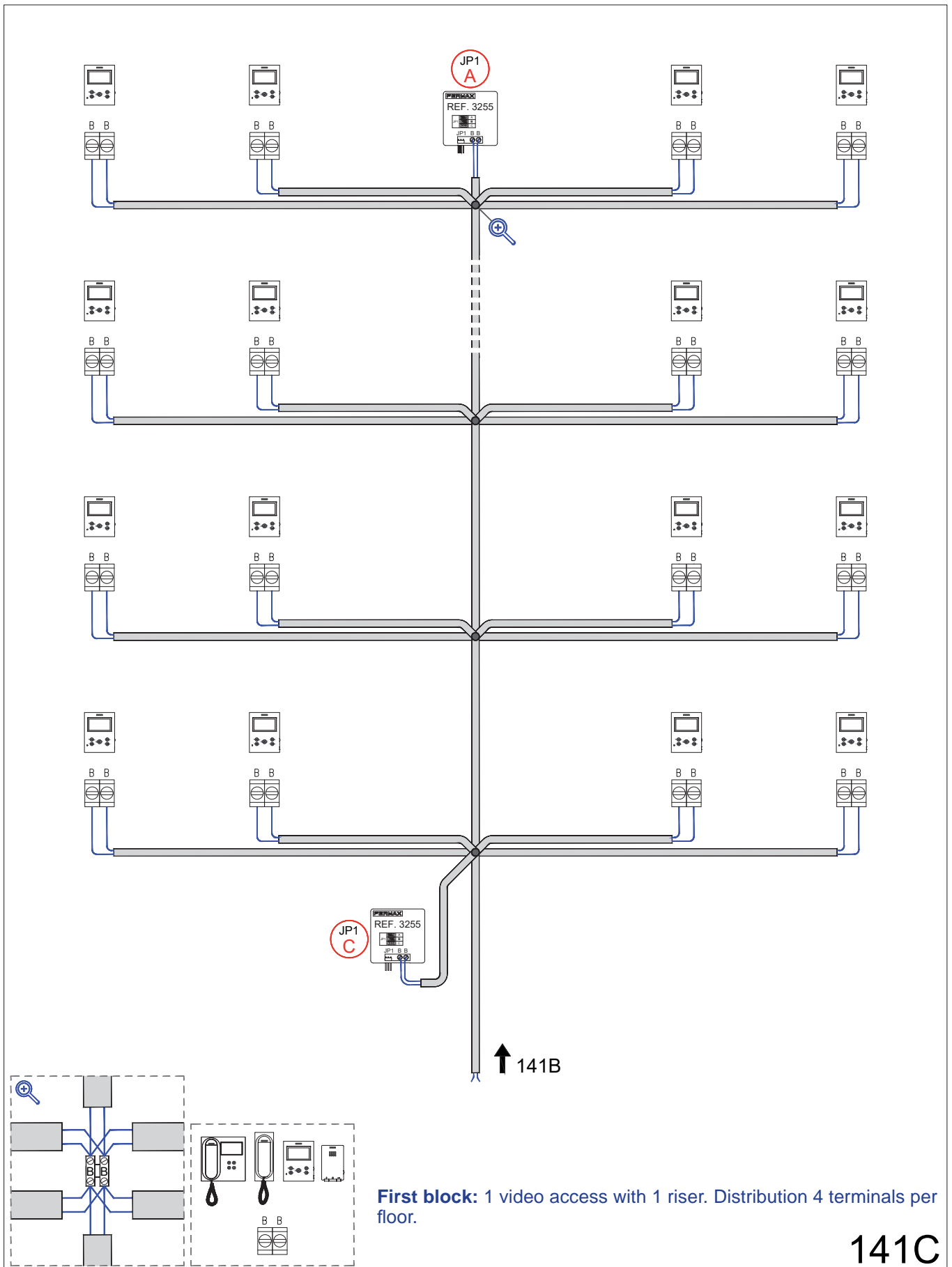
General entrance with 3 video accesses to 3 internal blocks with outdoor panels.

First block: 1 video access with 1 riser. Distribution 4 terminals per floor.

Second block: 1 video access with 2 risers. Distribution 6 terminals per floor.

Third block: 1 video access with 5 risers. Cascade.

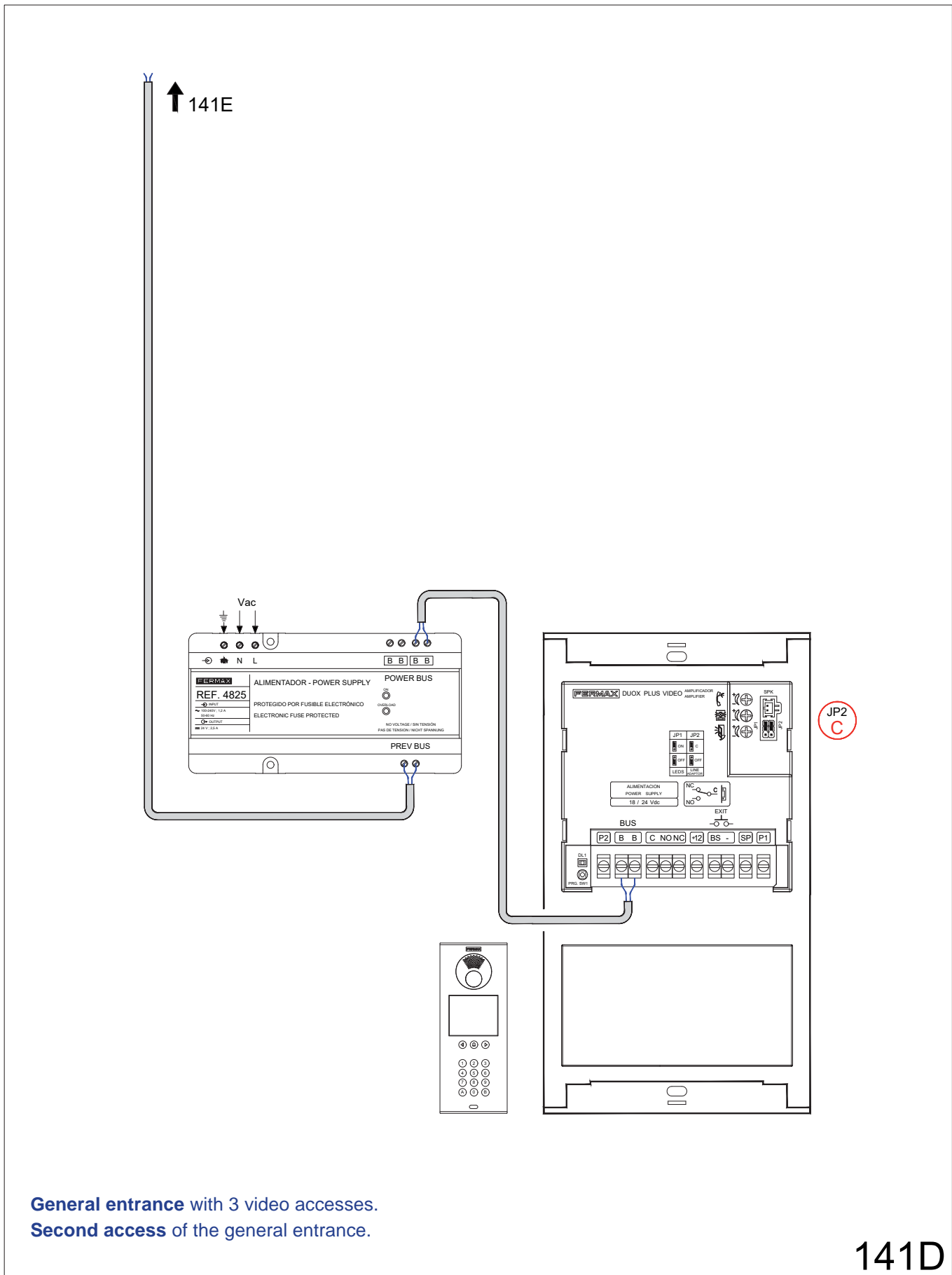
141C - WIRING DIAGRAM. Connection detail: Floors (Terminals - Line adapters).



**First block:** 1 video access with 1 riser. Distribution 4 terminals per floor.

General entrance with 3 video accesses to 3 internal blocks with outdoor panels.  
 First block: 1 video access with 1 riser. Distribution 4 terminals per floor.  
 Second block: 1 video access with 2 risers. Distribution 6 terminals per floor.  
 Third block: 1 video access with 5 risers. Cascade.

141D - WIRING DIAGRAM. Connection detail: Outdoor panel - Power supply set.



General entrance with 3 video accesses.  
 Second access of the general entrance.

141D

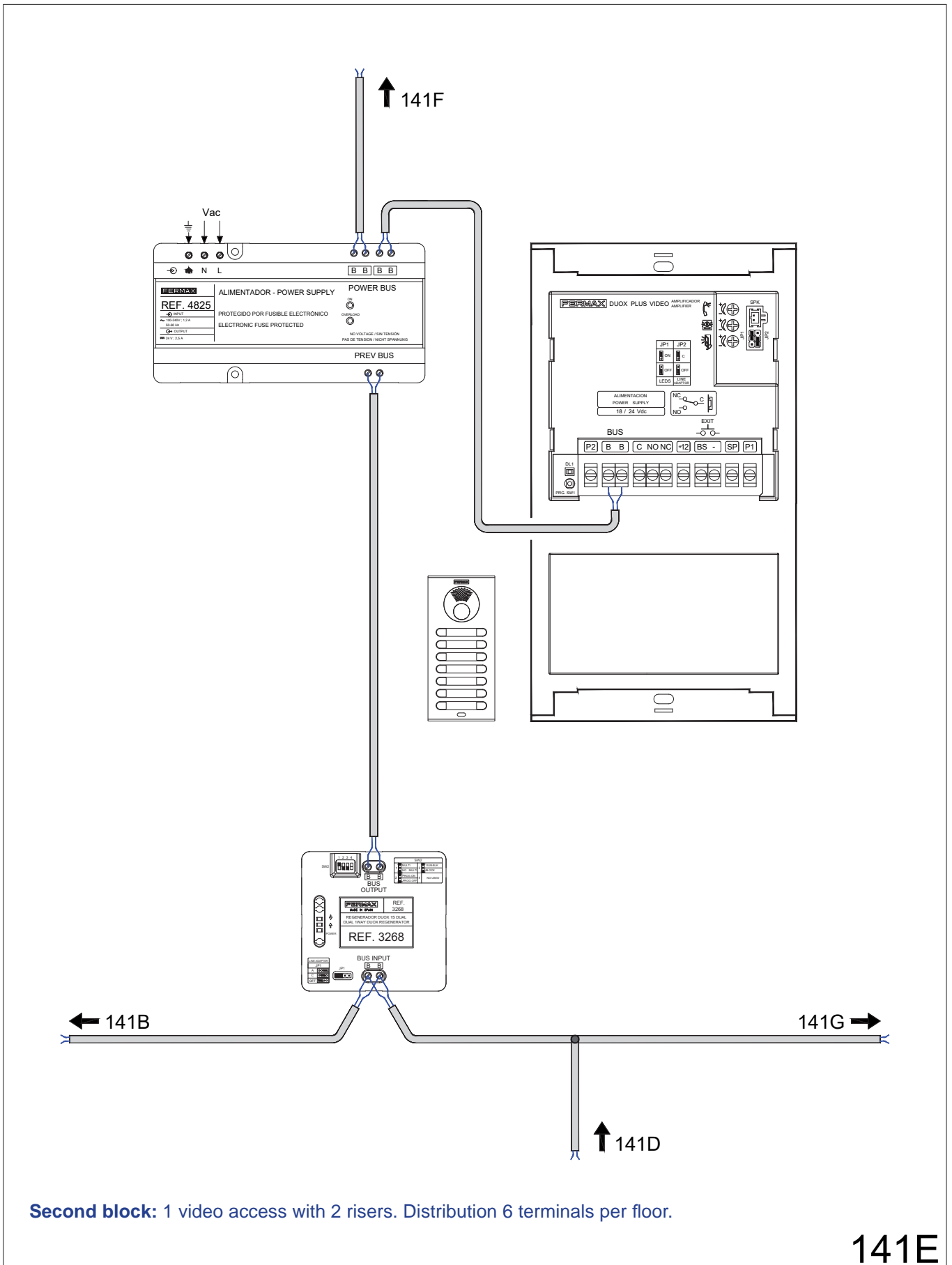
General entrance with 3 video accesses to 3 internal blocks with outdoor panels.

First block: 1 video access with 1 riser. Distribution 4 terminals per floor.

Second block: 1 video access with 2 risers. Distribution 6 terminals per floor.

Third block: 1 video access with 5 risers. Cascade.

141E - WIRING DIAGRAM. Connection detail: Outdoor panel - Power supply set - 1S multi-channel regenerator.

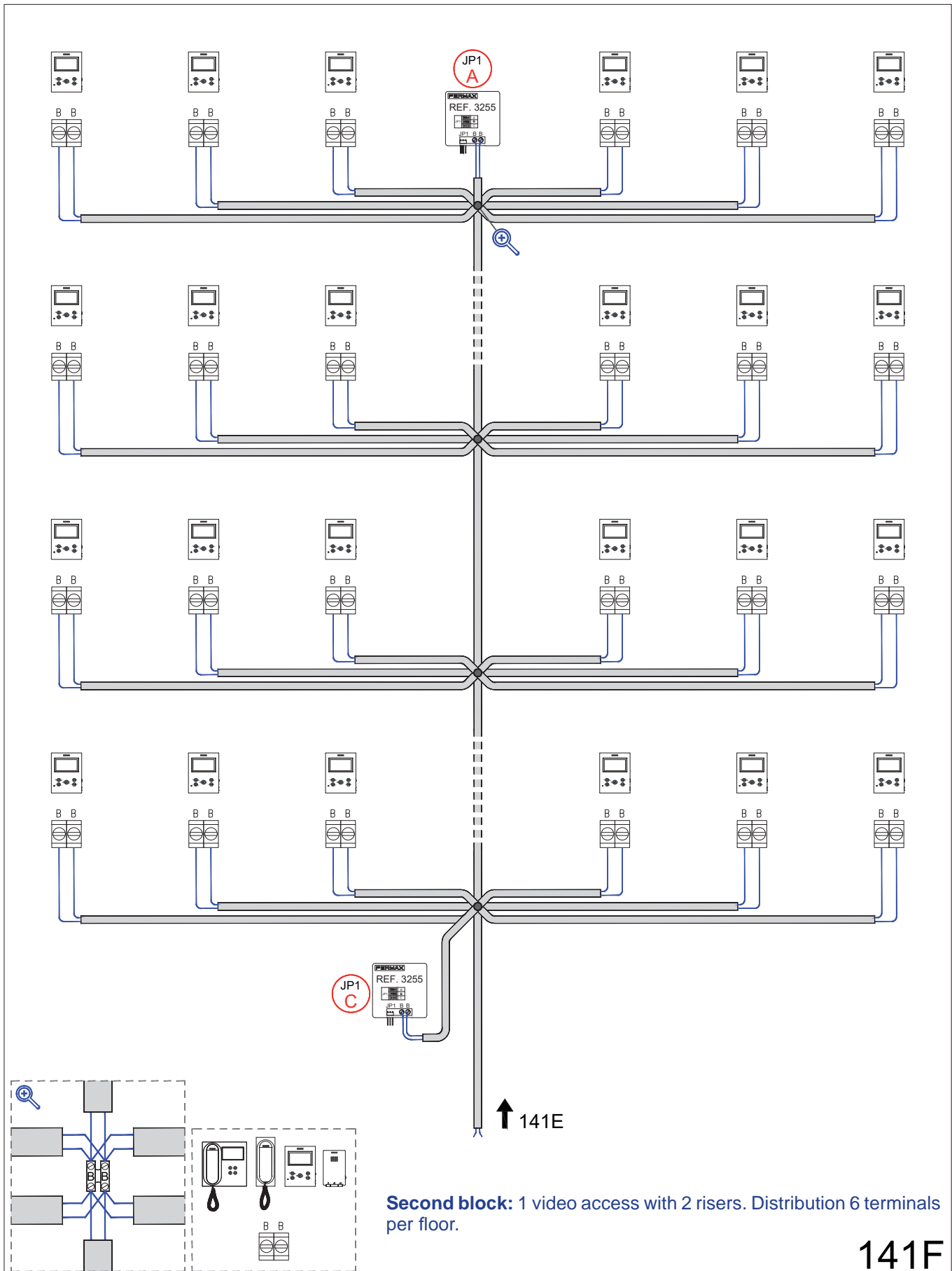


Second block: 1 video access with 2 risers. Distribution 6 terminals per floor.

141E

General entrance with 3 video accesses to 3 internal blocks with outdoor panels.  
 First block: 1 video access with 1 riser. Distribution 4 terminals per floor.  
 Second block: 1 video access with 2 risers. Distribution 6 terminals per floor.  
 Third block: 1 video access with 5 risers. Cascade.

141F - WIRING DIAGRAM. Connection detail: Floors (Terminals - Line adapters).



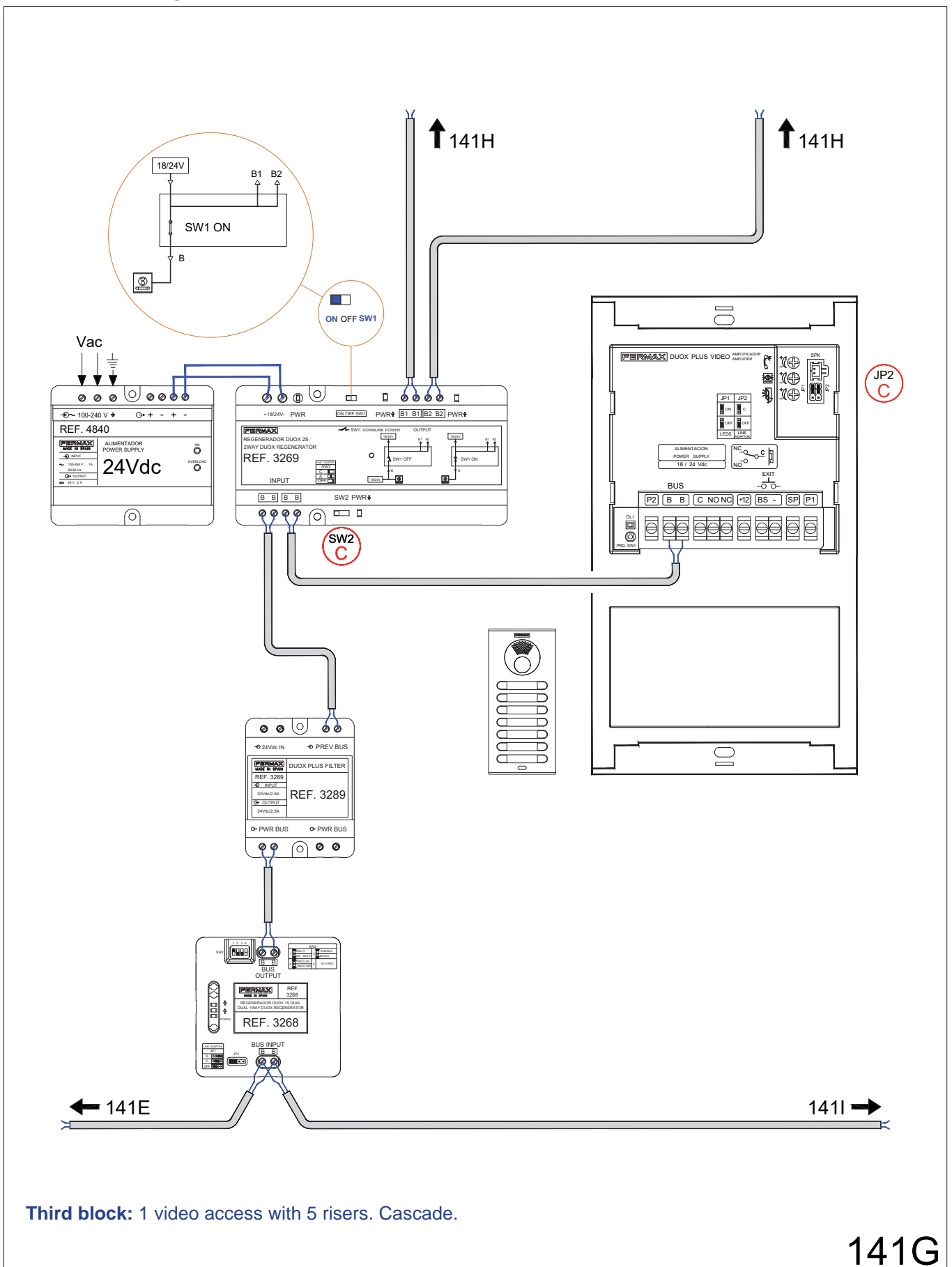
General entrance with 3 video accesses to 3 internal blocks with outdoor panels.

First block: 1 video access with 1 riser. Distribution 4 terminals per floor.

Second block: 1 video access with 2 risers. Distribution 6 terminals per floor.

Third block: 1 video access with 5 risers. Cascade.

141G - WIRING DIAGRAM. Connection detail: Outdoor panel - 2S regenerator+Power supply - 1S multi-channel regenerator.

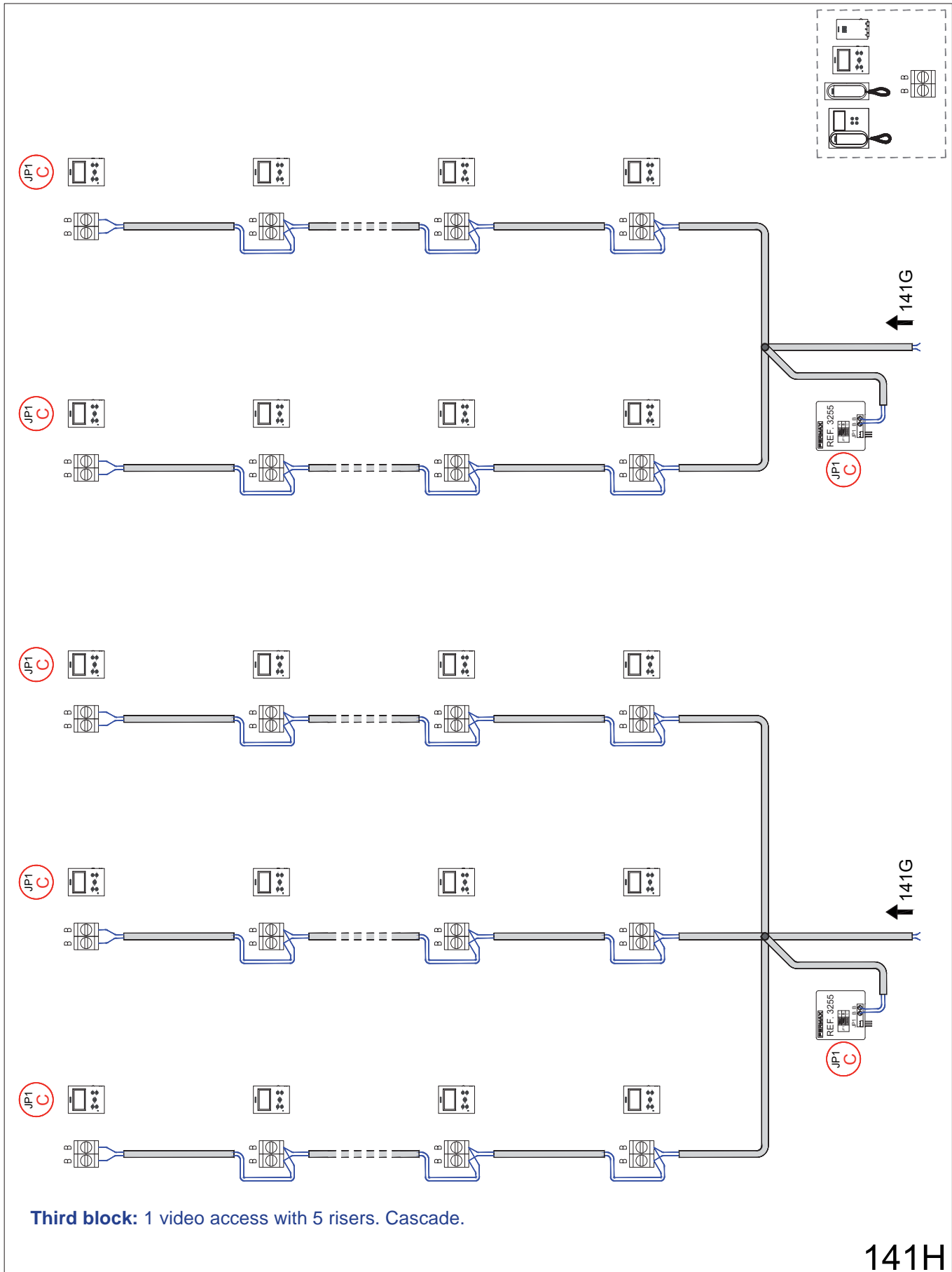


Third block: 1 video access with 5 risers. Cascade.

141G

General entrance with 3 video accesses to 3 internal blocks with outdoor panels.  
 First block: 1 video access with 1 riser. Distribution 4 terminals per floor.  
 Second block: 1 video access with 2 risers. Distribution 6 terminals per floor.  
 Third block: 1 video access with 5 risers. Cascade.

141H - WIRING DIAGRAM. Connection detail: Floors (Terminals - Line adapters).



**Third block:** 1 video access with 5 risers. Cascade.

141H

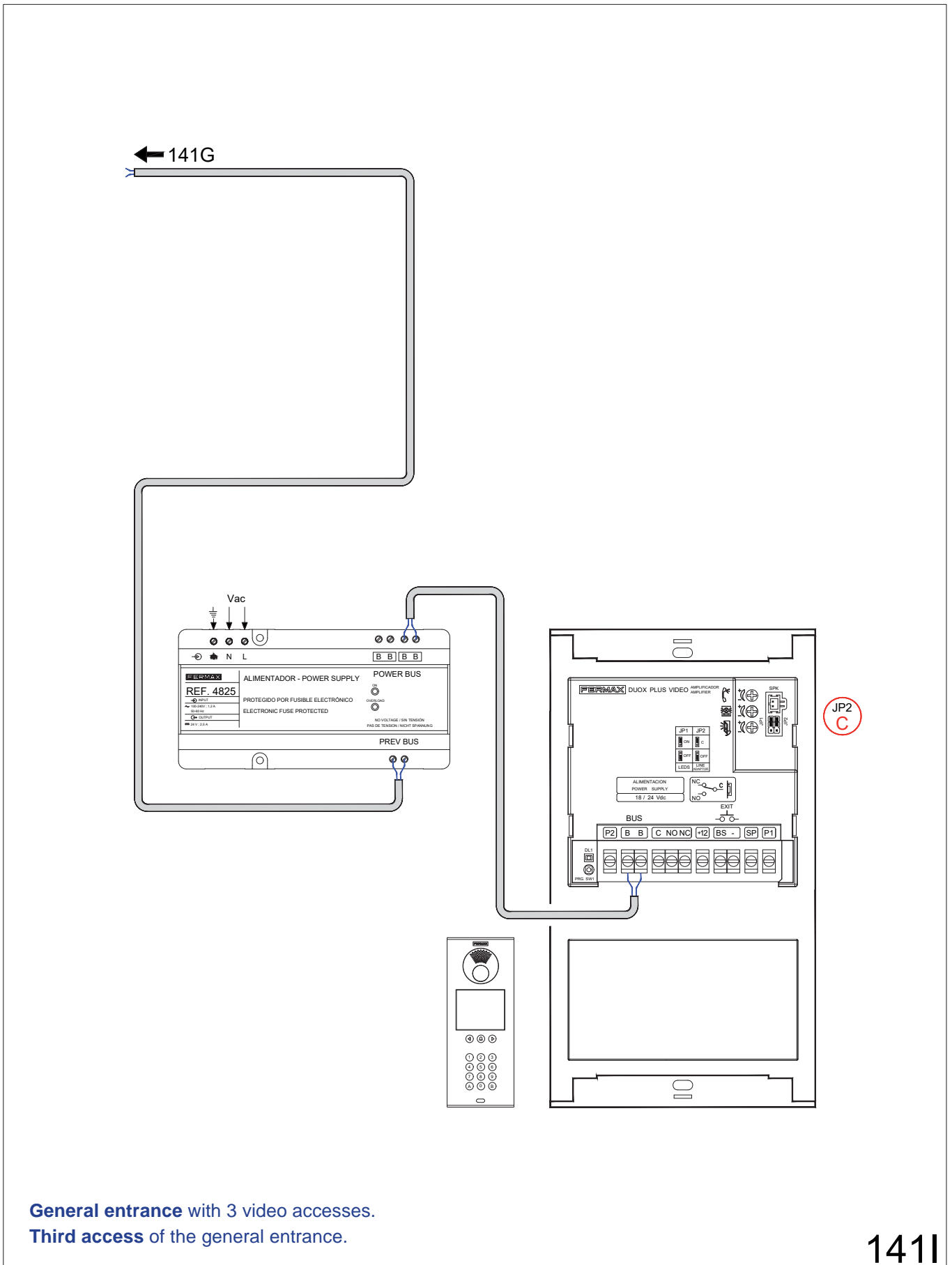
General entrance with 3 video accesses to 3 internal blocks with outdoor panels.

First block: 1 video access with 1 riser. Distribution 4 terminals per floor.

Second block: 1 video access with 2 risers. Distribution 6 terminals per floor.

Third block: 1 video access with 5 risers. Cascade.

141I - WIRING DIAGRAM. Connection detail: Outdoor panel - Power supply set.



General entrance with 3 video accesses.  
Third access of the general entrance.

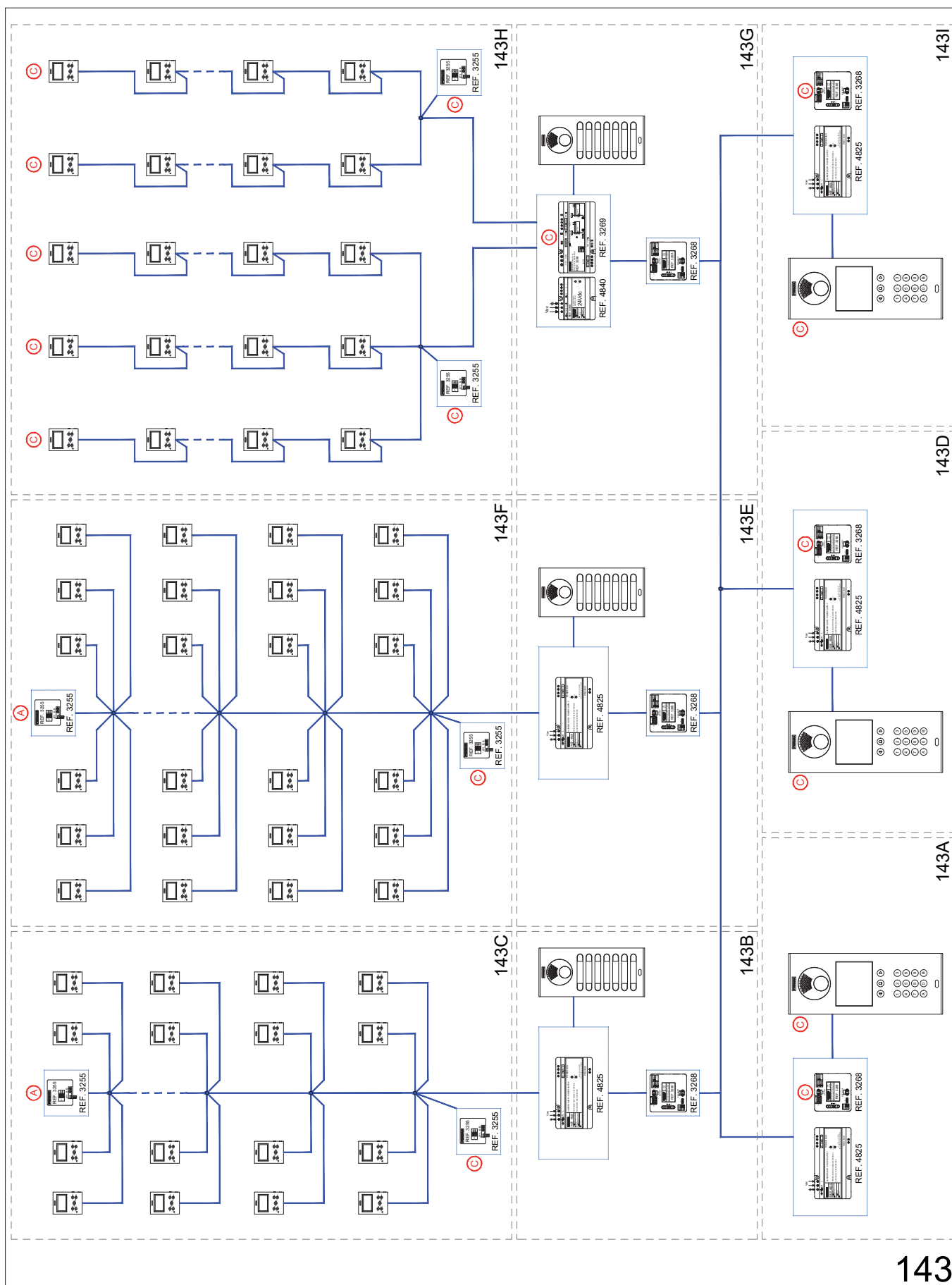
General entrance with 3 video accesses (distanced outdoor panels: maximum distance of 200 metres), to 3 internal blocks with outdoor panels..

First block: 1 video access with 1 riser. Distribution 4 terminals per floor.

Second block: 1 video access with 2 risers. Distribution 6 terminals per floor.

Third block: 1 video access with 5 risers. Cascade.

143 - SINGLE-LINE DIAGRAM.



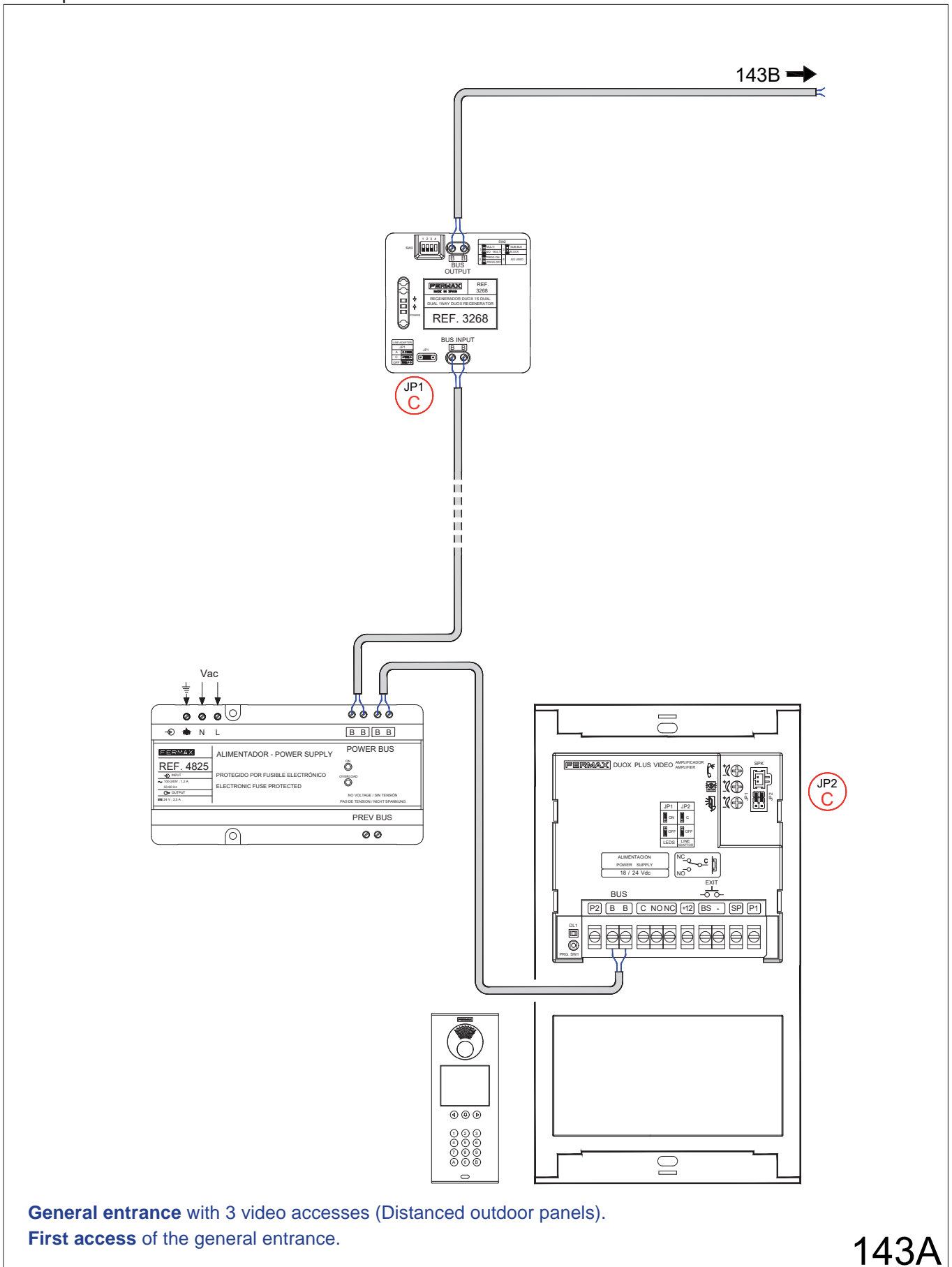
General entrance with 3 video accesses (distanced outdoor panels: maximum distance of 200 metres), to 3 internal blocks with outdoor panels.

First block: 1 video access with 1 riser. Distribution 4 terminals per floor.

Second block: 1 video access with 2 risers. Distribution 6 terminals per floor.

Third block: 1 video access with 5 risers. Cascade.

143A - WIRING DIAGRAM. Connection detail: Outdoor panel - Power supply set - 1S regenerator - Line adapter.



General entrance with 3 video accesses (Distanced outdoor panels).  
First access of the general entrance.

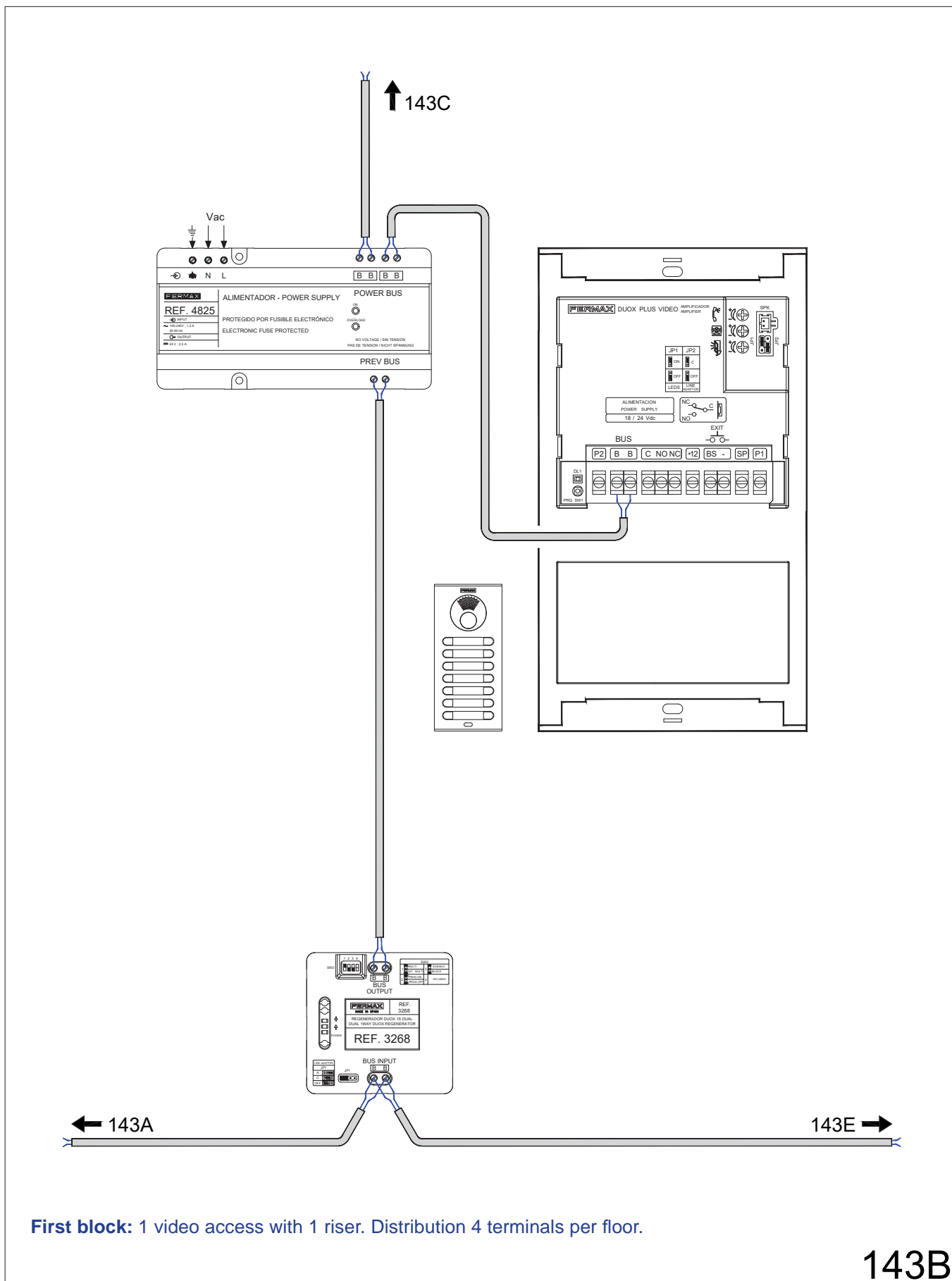
General entrance with 3 video accesses (distanced outdoor panels: maximum distance of 200 metres), to 3 internal blocks with outdoor panels.

First block: 1 video access with 1 riser. Distribution 4 terminals per floor.

Second block: 1 video access with 2 risers. Distribution 6 terminals per floor.

Third block: 1 video access with 5 risers. Cascade.

143B - WIRING DIAGRAM. Connection detail: Outdoor panel - Power supply set - 1S multi-channel regenerator.



First block: 1 video access with 1 riser. Distribution 4 terminals per floor.

143B

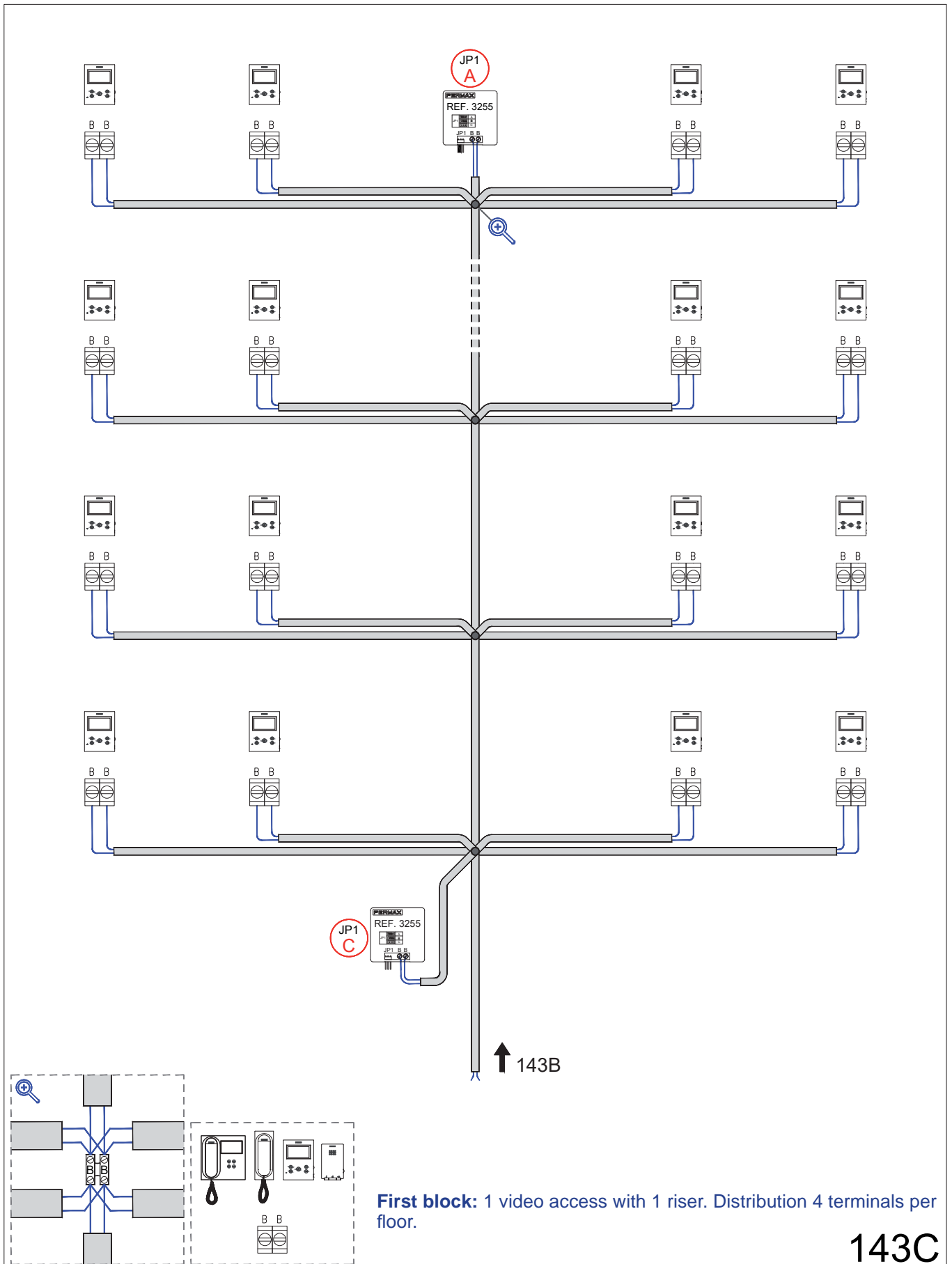
General entrance with 3 video accesses (distanced outdoor panels: maximum distance of 200 metres), to 3 internal blocks with outdoor panels.

First block: 1 video access with 1 riser. Distribution 4 terminals per floor.

Second block: 1 video access with 2 risers. Distribution 6 terminals per floor.

Third block: 1 video access with 5 risers. Cascade.

143C - WIRING DIAGRAM. Connection detail: Floors (Terminals - Line adapters).





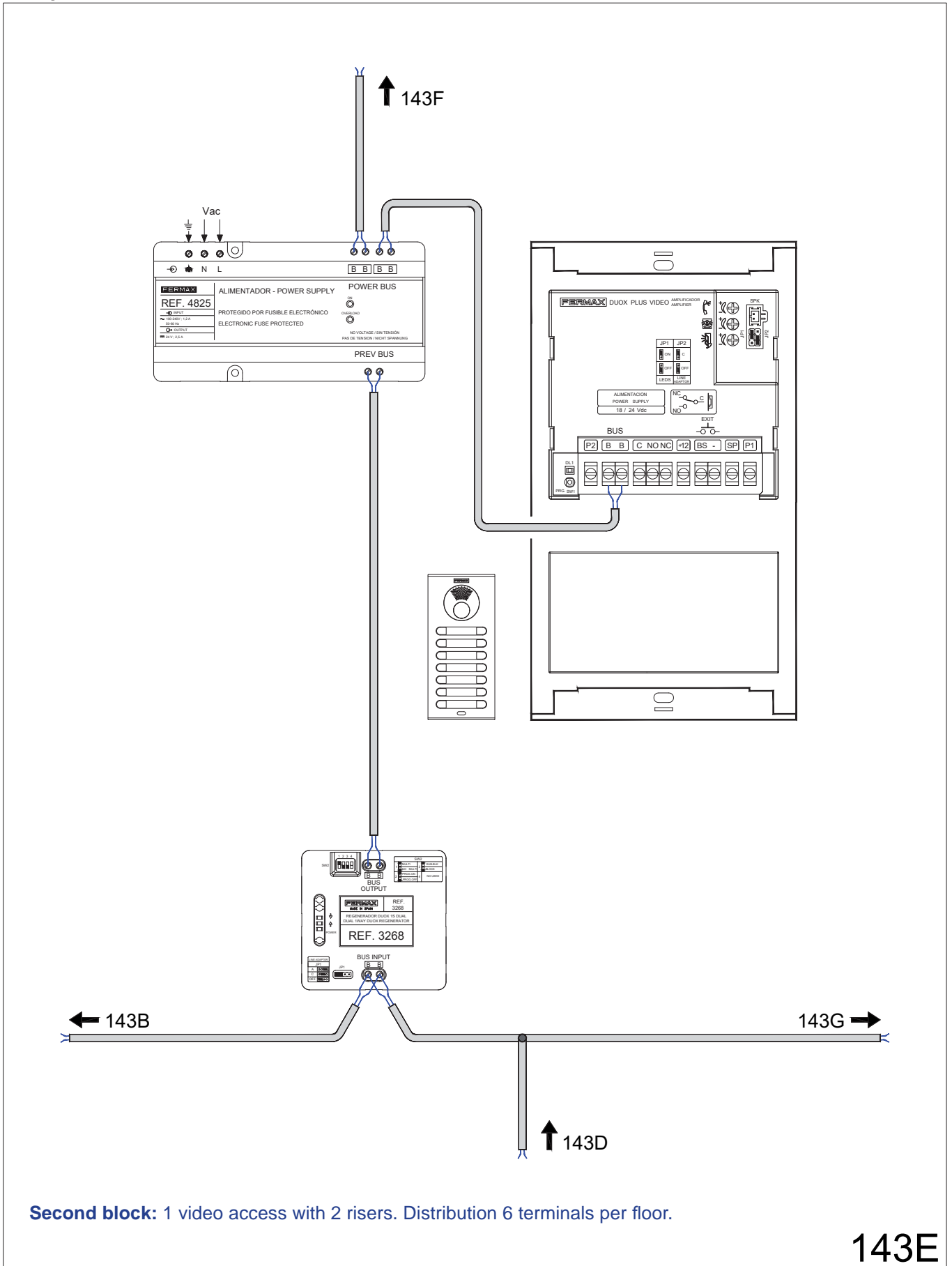
General entrance with 3 video accesses (distanced outdoor panels: maximum distance of 200 metres), to 3 internal blocks with outdoor panels.

First block: 1 video access with 1 riser. Distribution 4 terminals per floor.

Second block: 1 video access with 2 risers. Distribution 6 terminals per floor.

Third block: 1 video access with 5 risers. Cascade.

143E - WIRING DIAGRAM. Connection detail: Outdoor panel - Power supply set - 1S multi-channel regenerator.



Second block: 1 video access with 2 risers. Distribution 6 terminals per floor.

143E

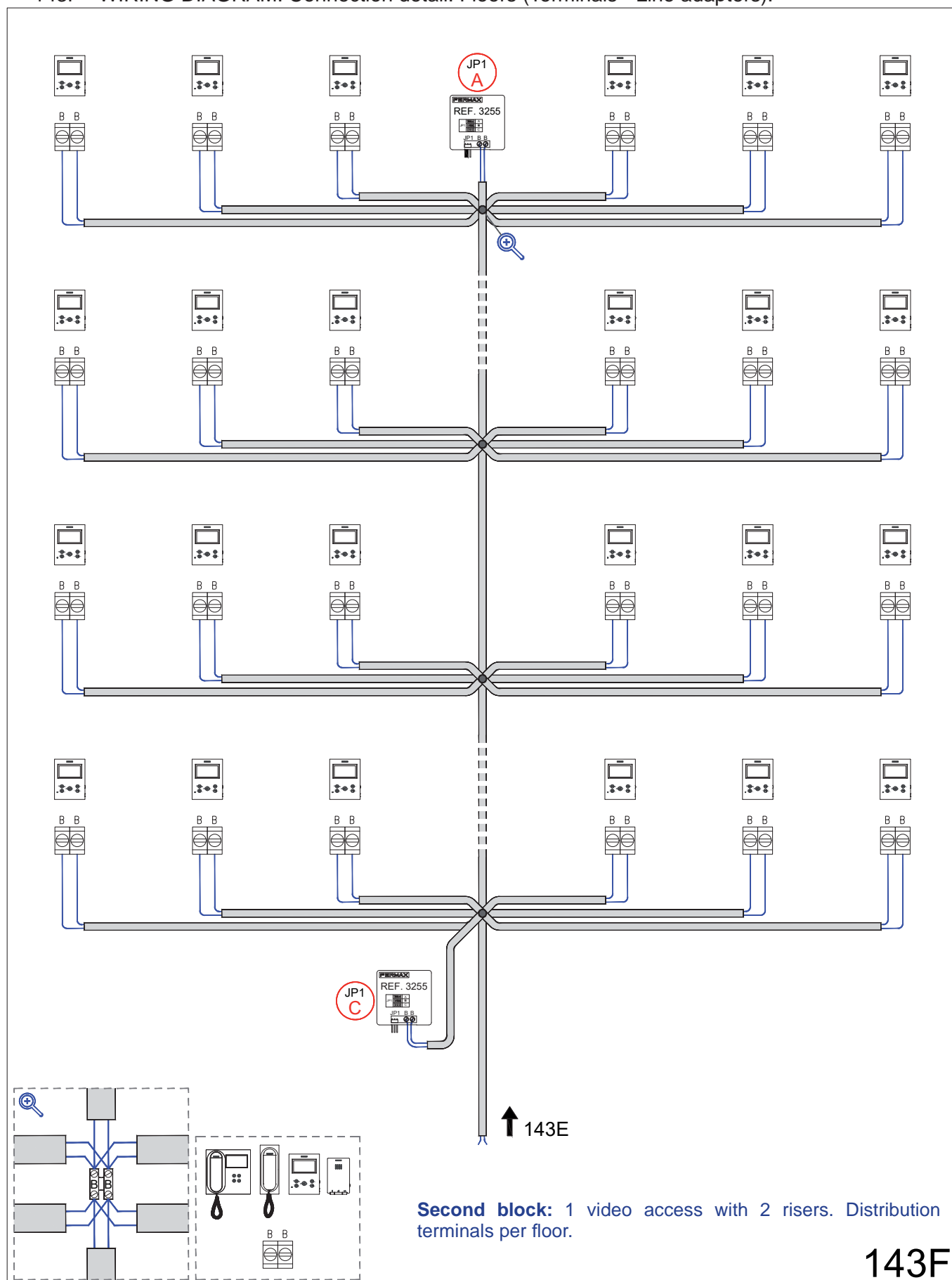
General entrance with 3 video accesses (distanced outdoor panels: maximum distance of 200 metres), to 3 internal blocks with outdoor panels.

First block: 1 video access with 1 riser. Distribution 4 terminals per floor.

Second block: 1 video access with 2 risers. Distribution 6 terminals per floor.

Third block: 1 video access with 5 risers. Cascade.

143F - WIRING DIAGRAM. Connection detail: Floors (Terminals - Line adapters).



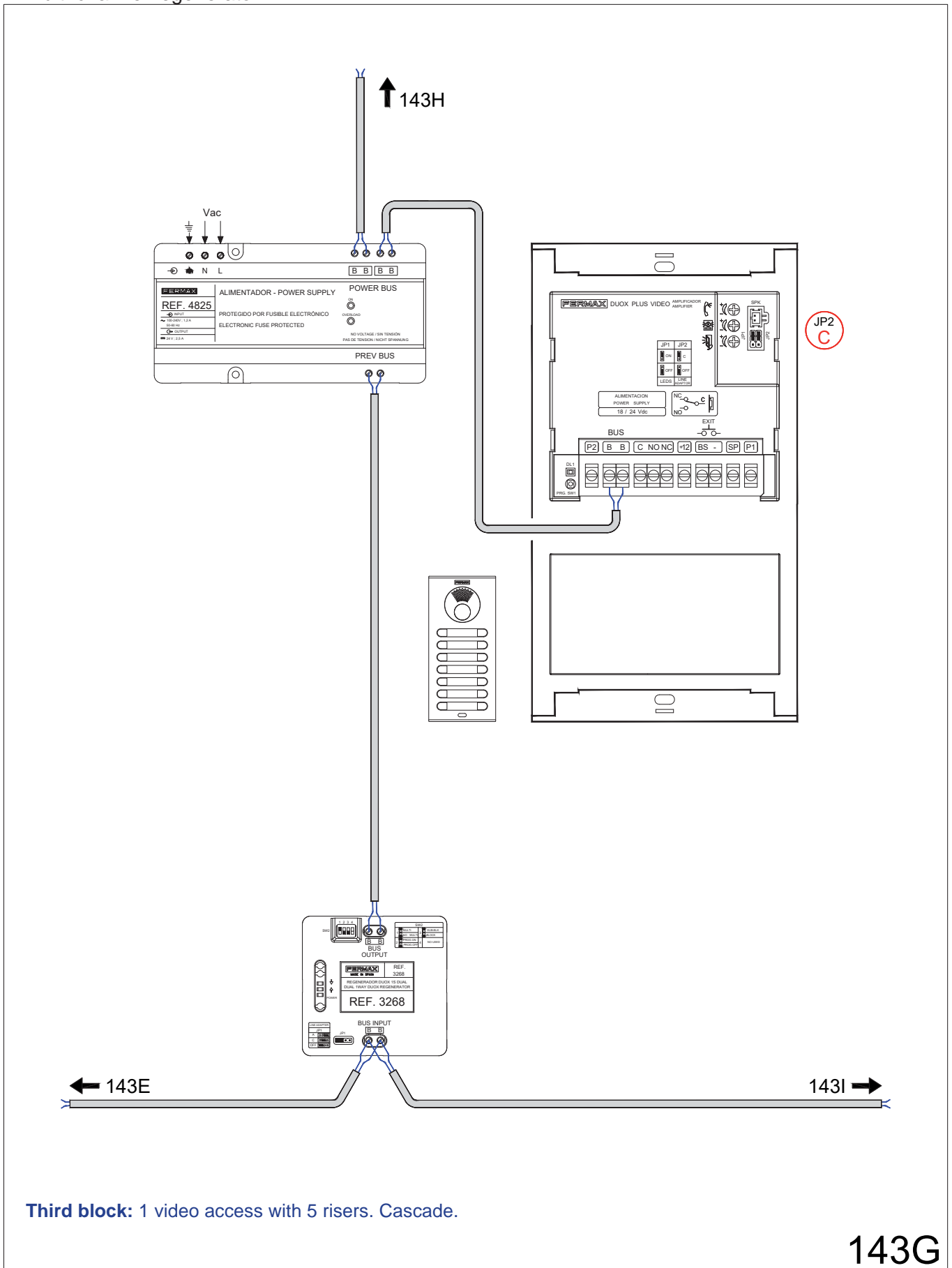
General entrance with 3 video accesses (distanced outdoor panels: maximum distance of 200 metres), to 3 internal blocks with outdoor panels.

First block: 1 video access with 1 riser. Distribution 4 terminals per floor.

Second block: 1 video access with 2 risers. Distribution 6 terminals per floor.

Third block: 1 video access with 5 risers. Cascade.

143G - WIRING DIAGRAM. Connection detail: Outdoor panel - 2S regenerator+Power supply - 1S multi-channel regenerator.



Third block: 1 video access with 5 risers. Cascade.

143G

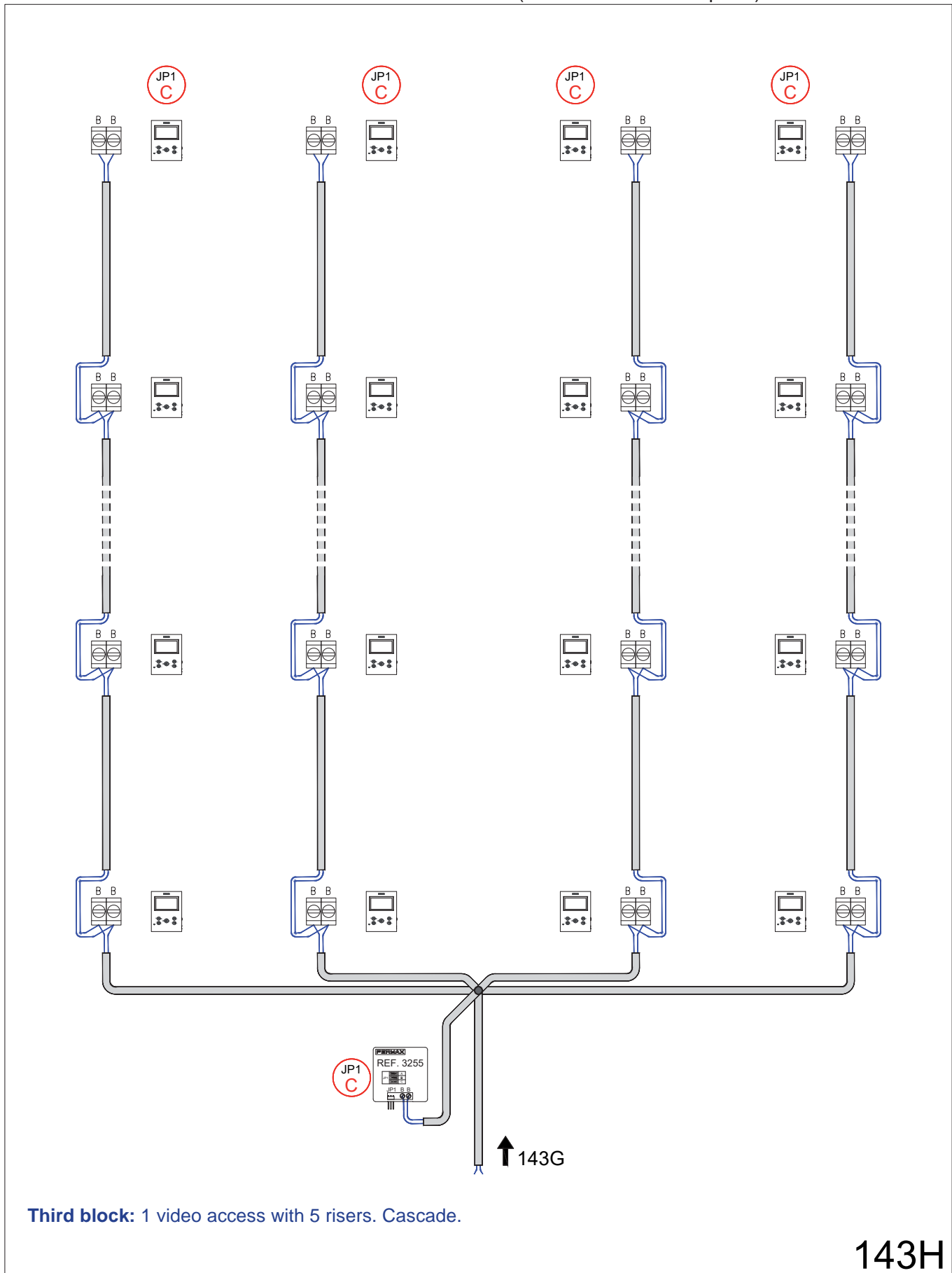
General entrance with 3 video accesses (distanced outdoor panels: maximum distance of 200 metres), to 3 internal blocks with outdoor panels.

First block: 1 video access with 1 riser. Distribution 4 terminals per floor.

Second block: 1 video access with 2 risers. Distribution 6 terminals per floor.

Third block: 1 video access with 5 risers. Cascade.

143H - WIRING DIAGRAM. Connection detail: Floors (Terminals - Line adapters).



Third block: 1 video access with 5 risers. Cascade.

143H

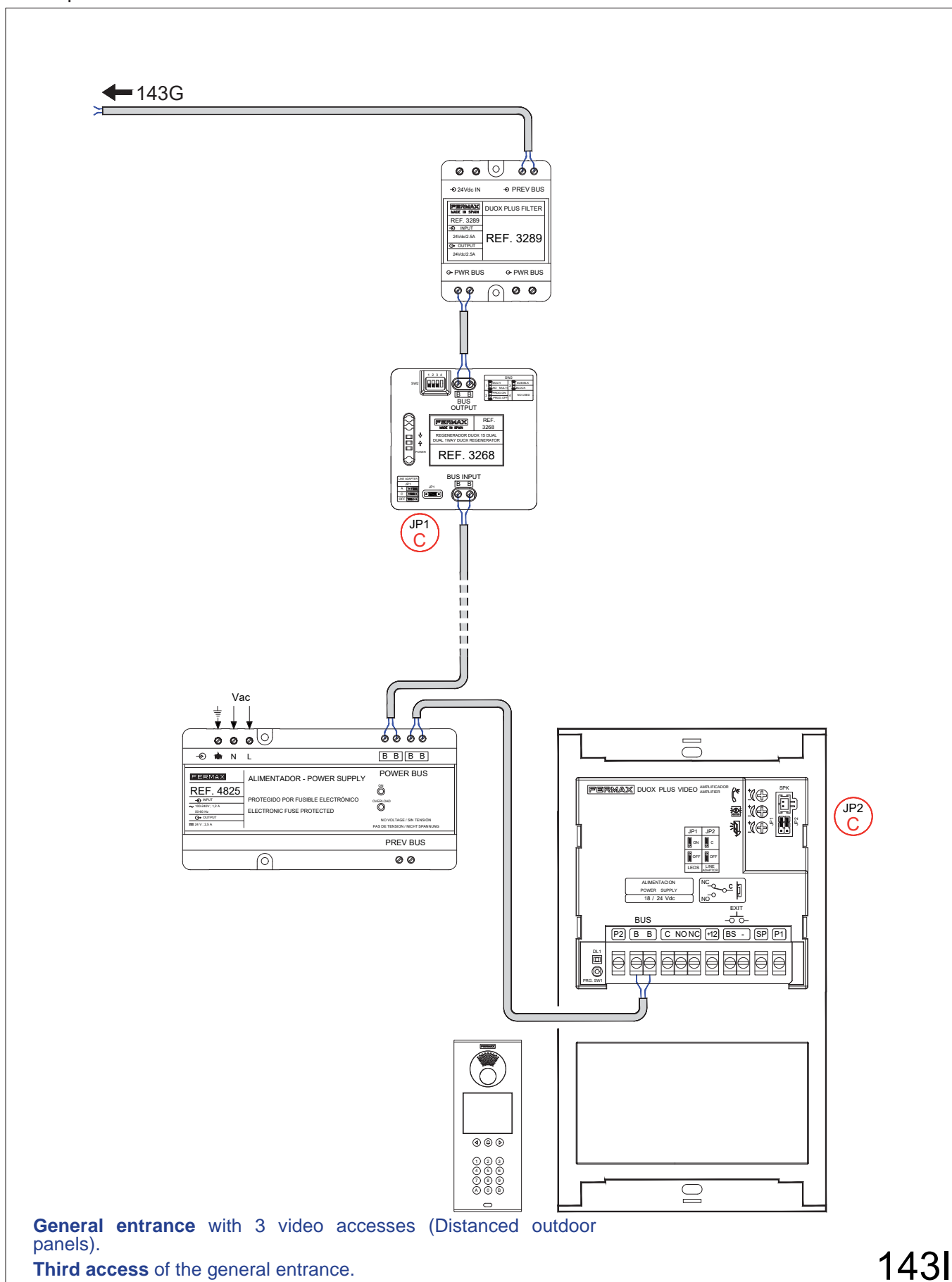
General entrance with 3 video accesses (distanced outdoor panels: maximum distance of 200 metres), to 3 internal blocks with outdoor panels.

First block: 1 video access with 1 riser. Distribution 4 terminals per floor.

Second block: 1 video access with 2 risers. Distribution 6 terminals per floor.

Third block: 1 video access with 5 risers. Cascade.

143I - WIRING DIAGRAM. Connection detail: Outdoor panel - Power supply set - 1S regenerator - Line adapter.



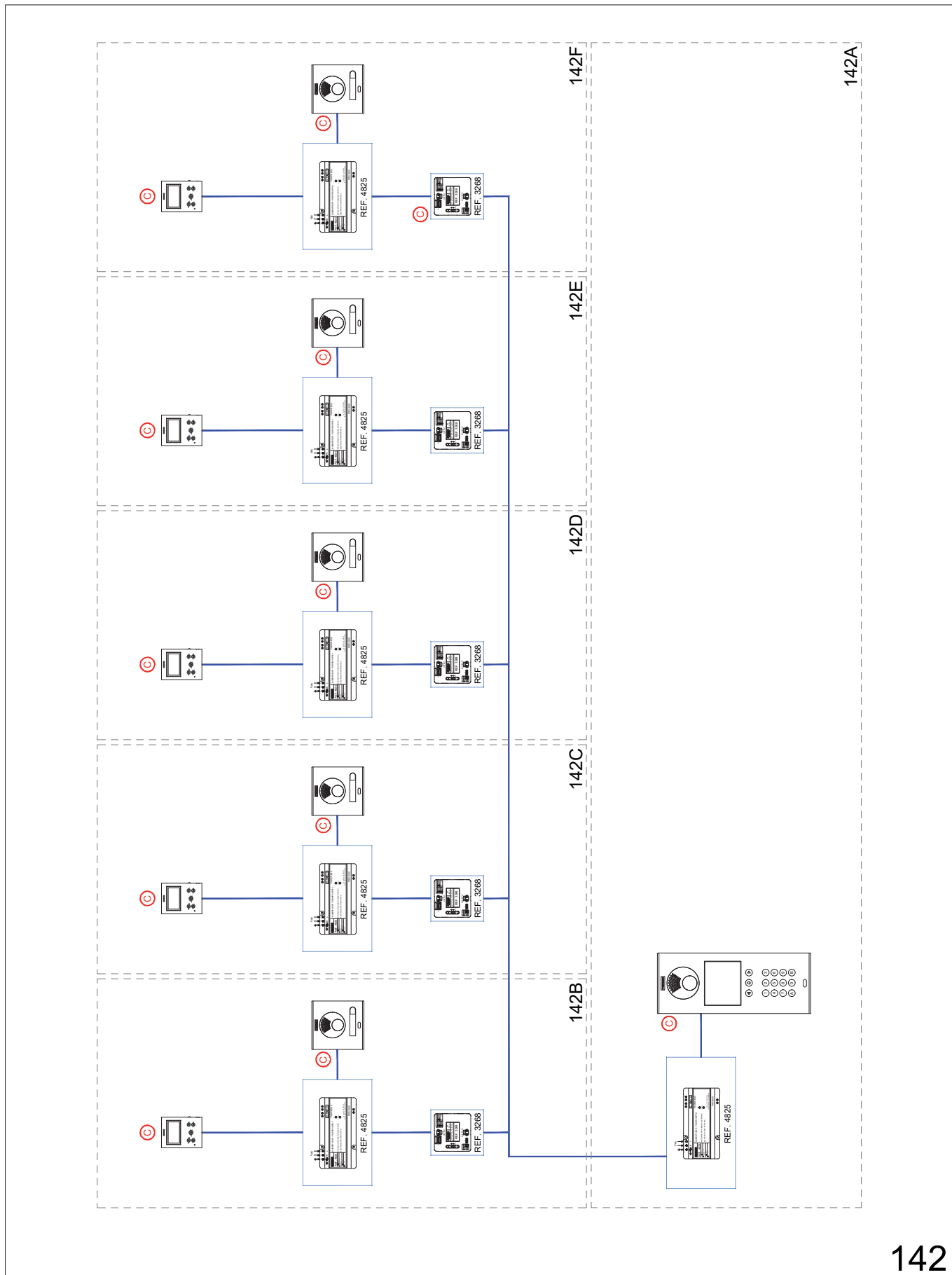
General entrance with 3 video accesses (Distanced outdoor panels).

Third access of the general entrance.

143I

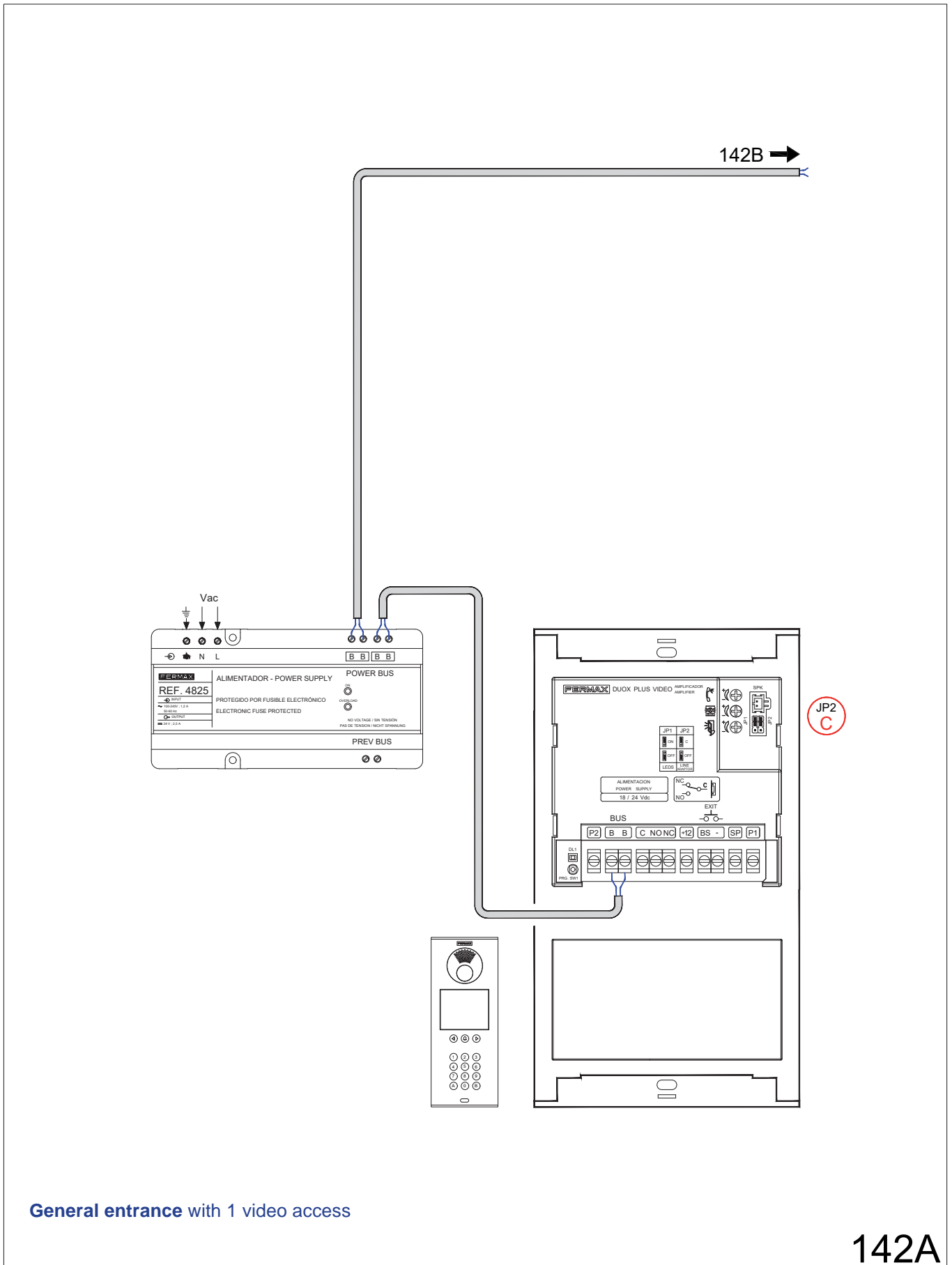
General entrance with 1 video access to 5 equal villas with outdoor panels.  
 Each villa. 1 video access with 1 line to a monitor.

142 - SINGLE-LINE DIAGRAM.



General entrance with 1 video access to 5 equal villas with outdoor panels.  
 Each villa. 1 video access with 1 line to a monitor.

142A - WIRING DIAGRAM. Connection detail: Outdoor panel - Power supply set.

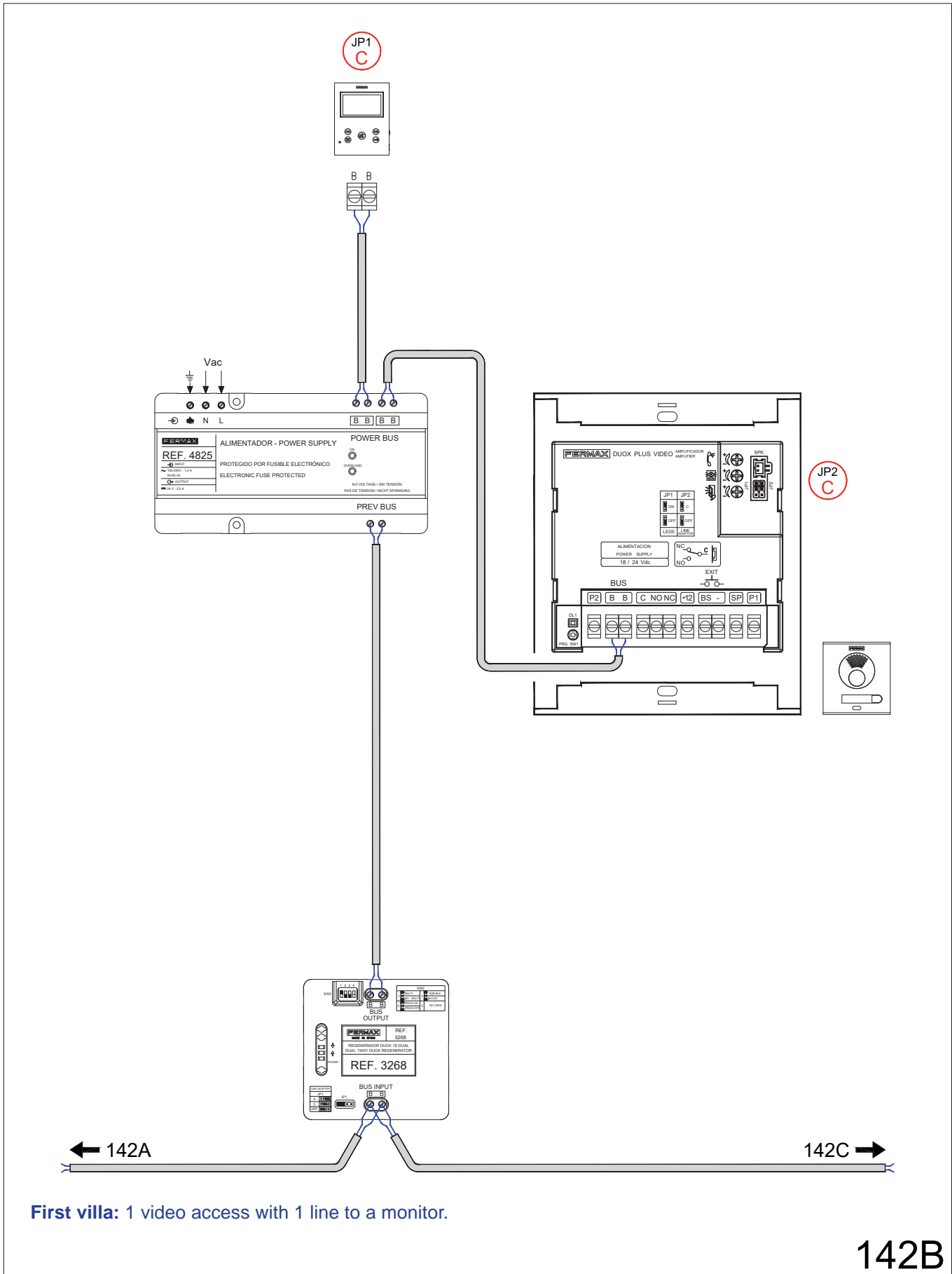


General entrance with 1 video access

142A

General entrance with 1 video access to 5 equal villas with outdoor panels.  
 Each villa. 1 video access with 1 line to a monitor.

142B - WIRING DIAGRAM. Connection detail: Outdoor panel - Power supply set - Monitor - 1S multi-channel regenerator.

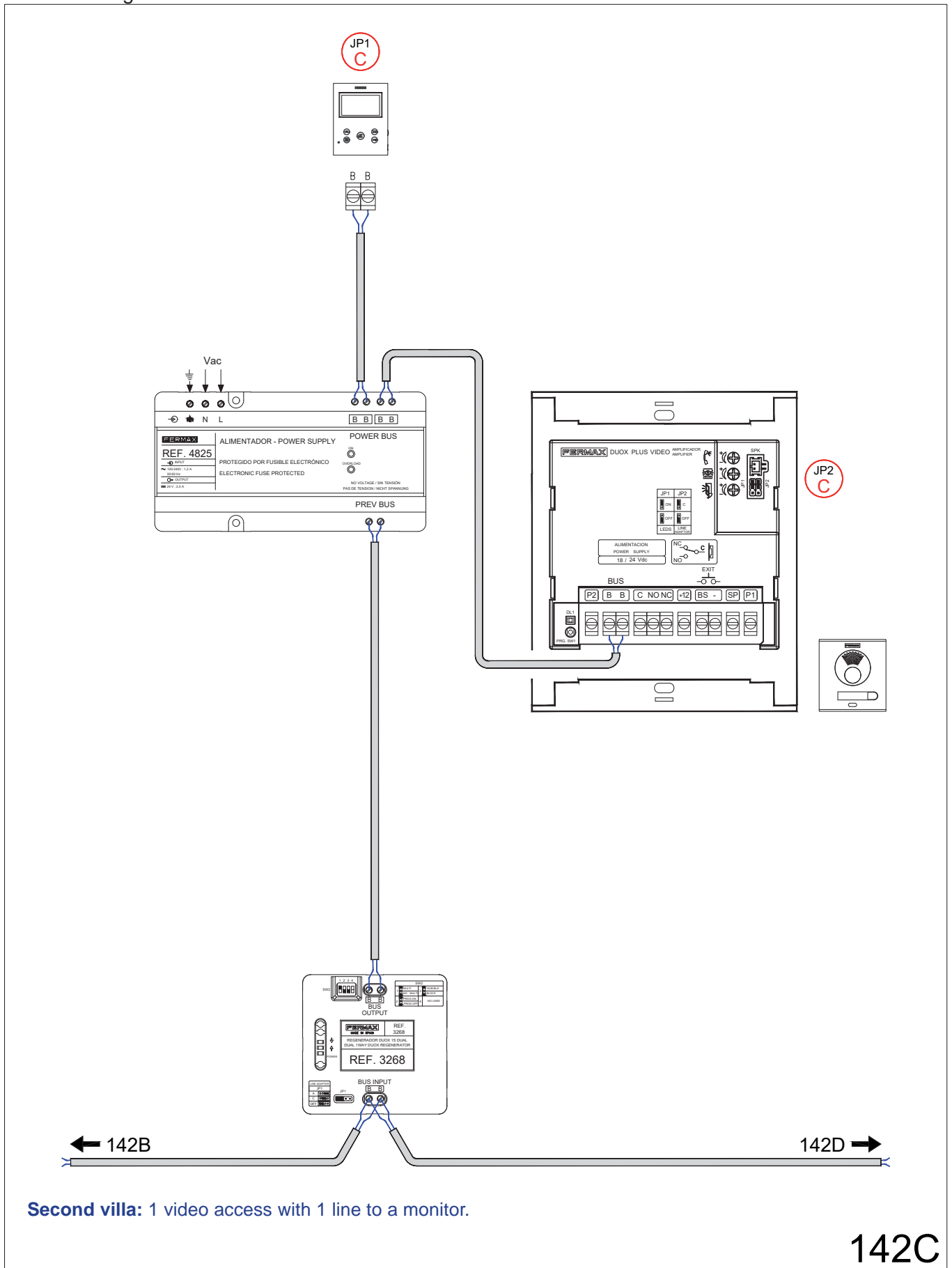


First villa: 1 video access with 1 line to a monitor.

142B

General entrance with 1 video access to 5 equal villas with outdoor panels.  
 Each villa. 1 video access with 1 line to a monitor.

142C - WIRING DIAGRAM. Connection detail: Outdoor panel - Power supply set - Monitor - 1S multi-channel regenerator.

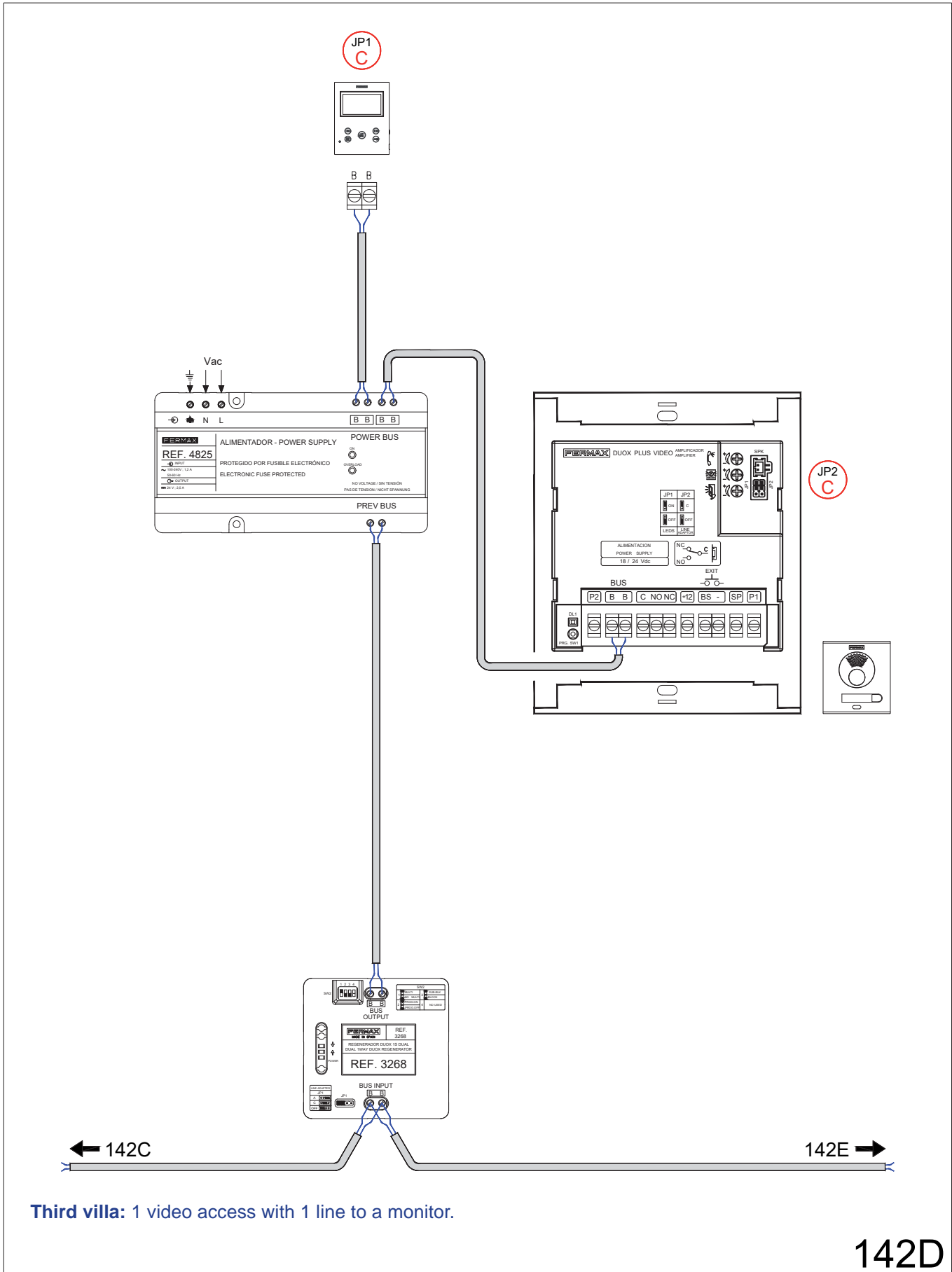


Second villa: 1 video access with 1 line to a monitor.

142C

General entrance with 1 video access to 5 equal villas with outdoor panels.  
 Each villa. 1 video access with 1 line to a monitor.

142D - WIRING DIAGRAM. Connection detail: Outdoor panel - Power supply set - Monitor - 1S multi-channel regenerator.

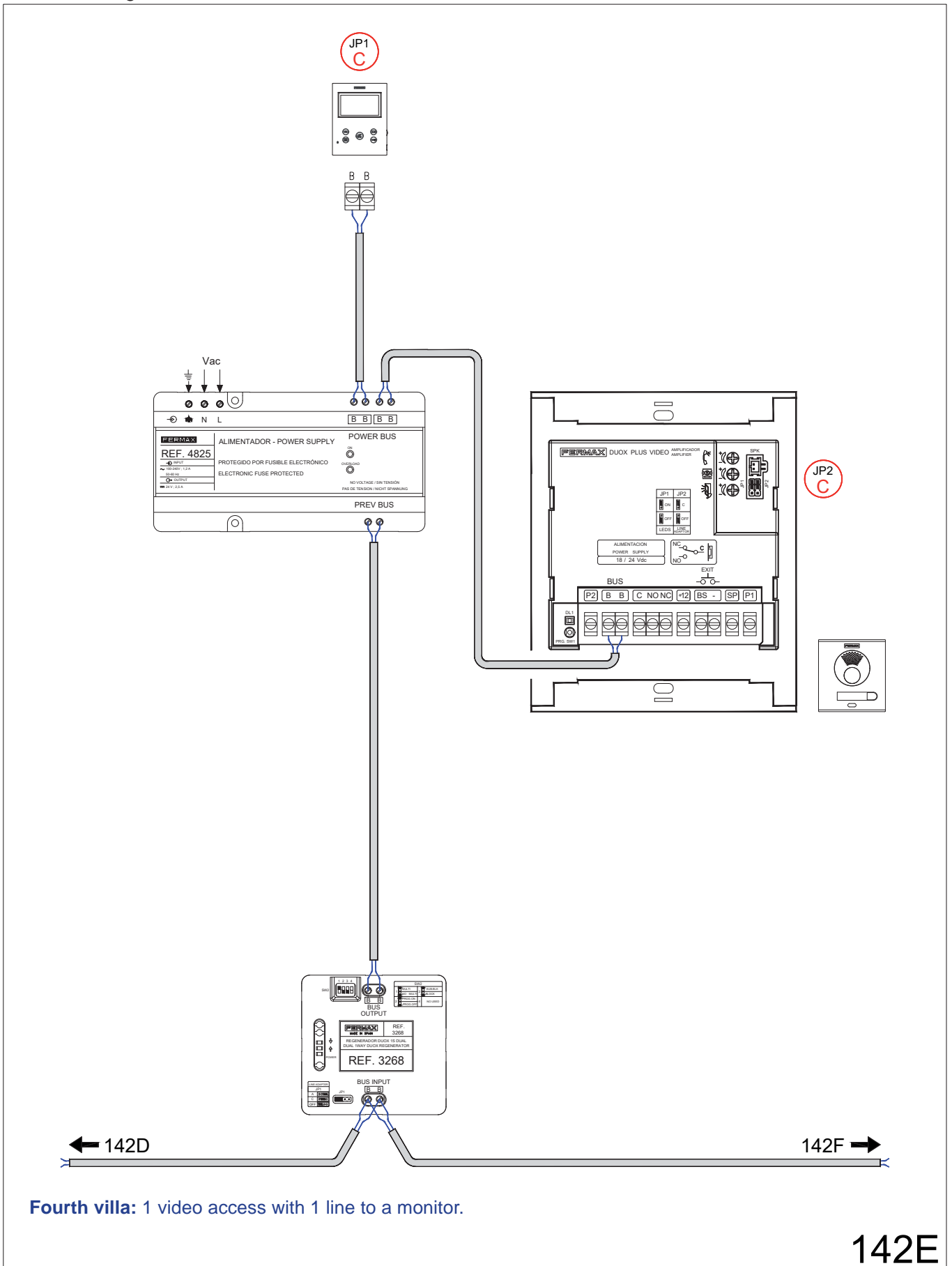


Third villa: 1 video access with 1 line to a monitor.

142D

General entrance with 1 video access to 5 equal villas with outdoor panels.  
 Each villa. 1 video access with 1 line to a monitor.

142E - WIRING DIAGRAM. Connection detail: Outdoor panel - Power supply set - Monitor - 1S multi-channel regenerator.



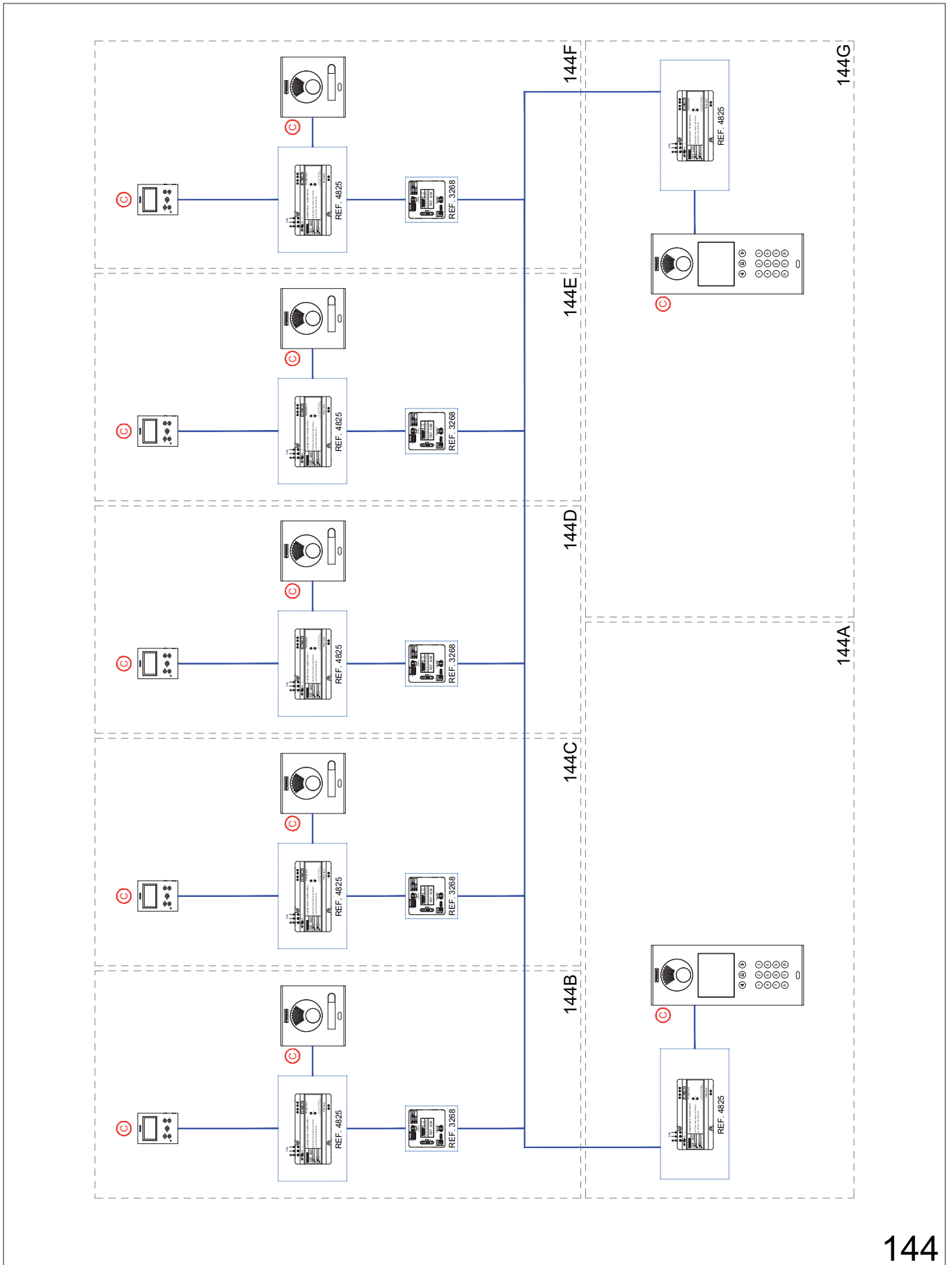
Fourth villa: 1 video access with 1 line to a monitor.

142E



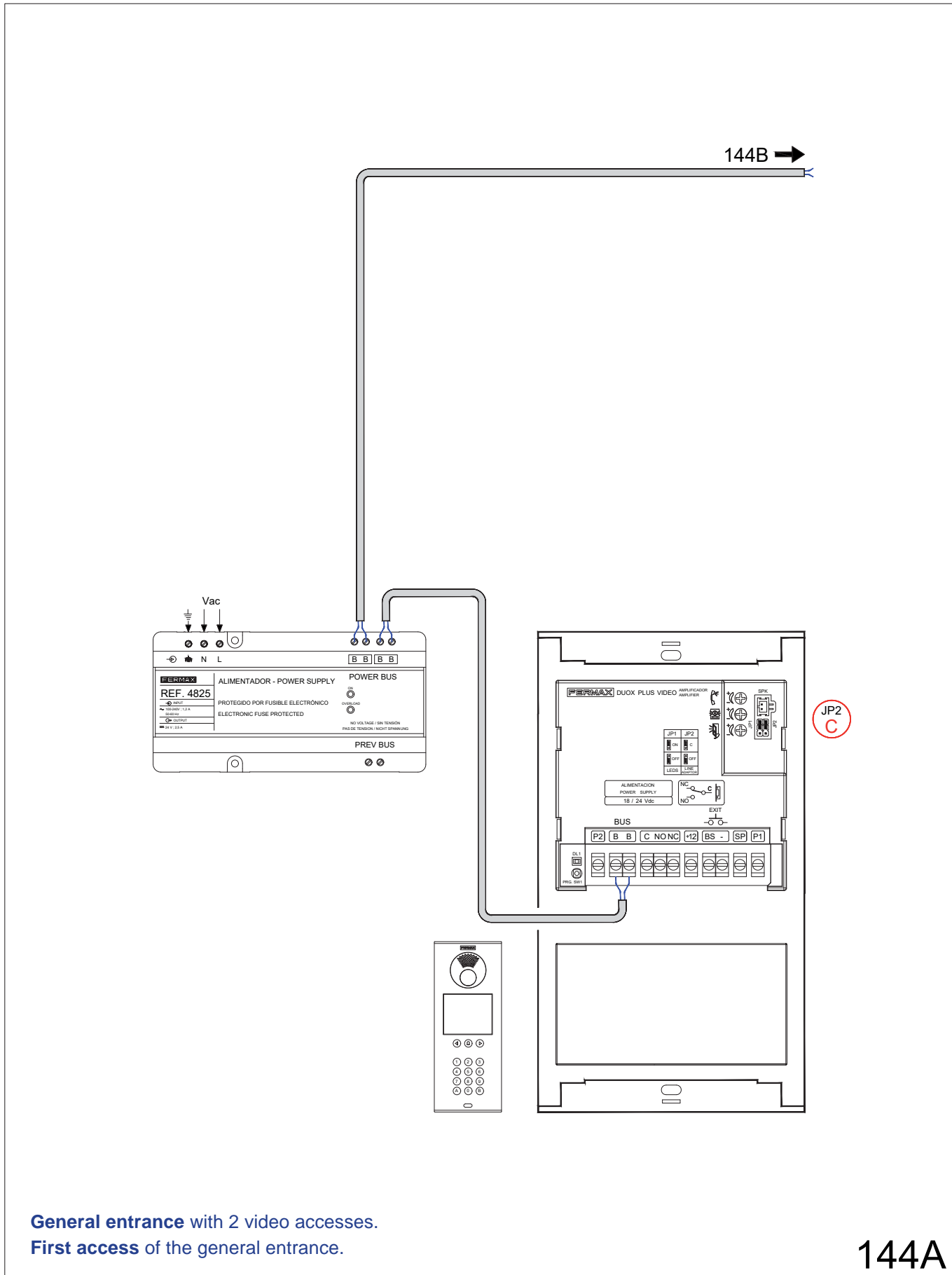
General entrance with 2 video accesses to 5 equal villas with outdoor panels.  
 Each villa. 1 video access with 1 line to a monitor.

144 - SINGLE-LINE DIAGRAM.



General entrance with 2 video accesses to 5 equal villas with outdoor panels.  
 Each villa. 1 video access with 1 line to a monitor.

144A - WIRING DIAGRAM. Connection detail: Outdoor panel - Power supply set.

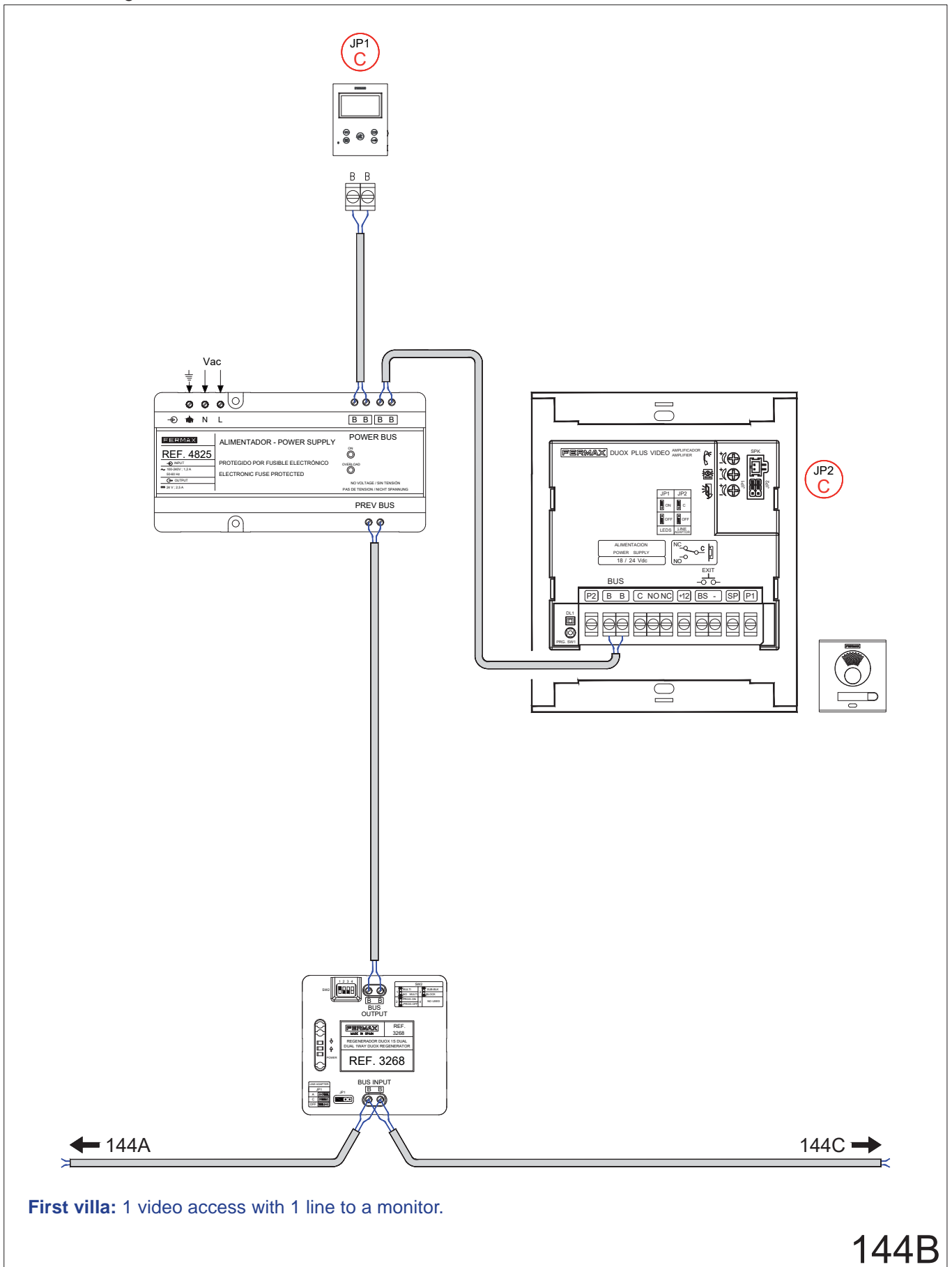


General entrance with 2 video accesses.  
 First access of the general entrance.

144A

General entrance with 2 video accesses to 5 equal villas with outdoor panels.  
 Each villa. 1 video access with 1 line to a monitor.

144B - WIRING DIAGRAM. Connection detail: Outdoor panel - Power supply set - Monitor - 1S multi-channel regenerator.

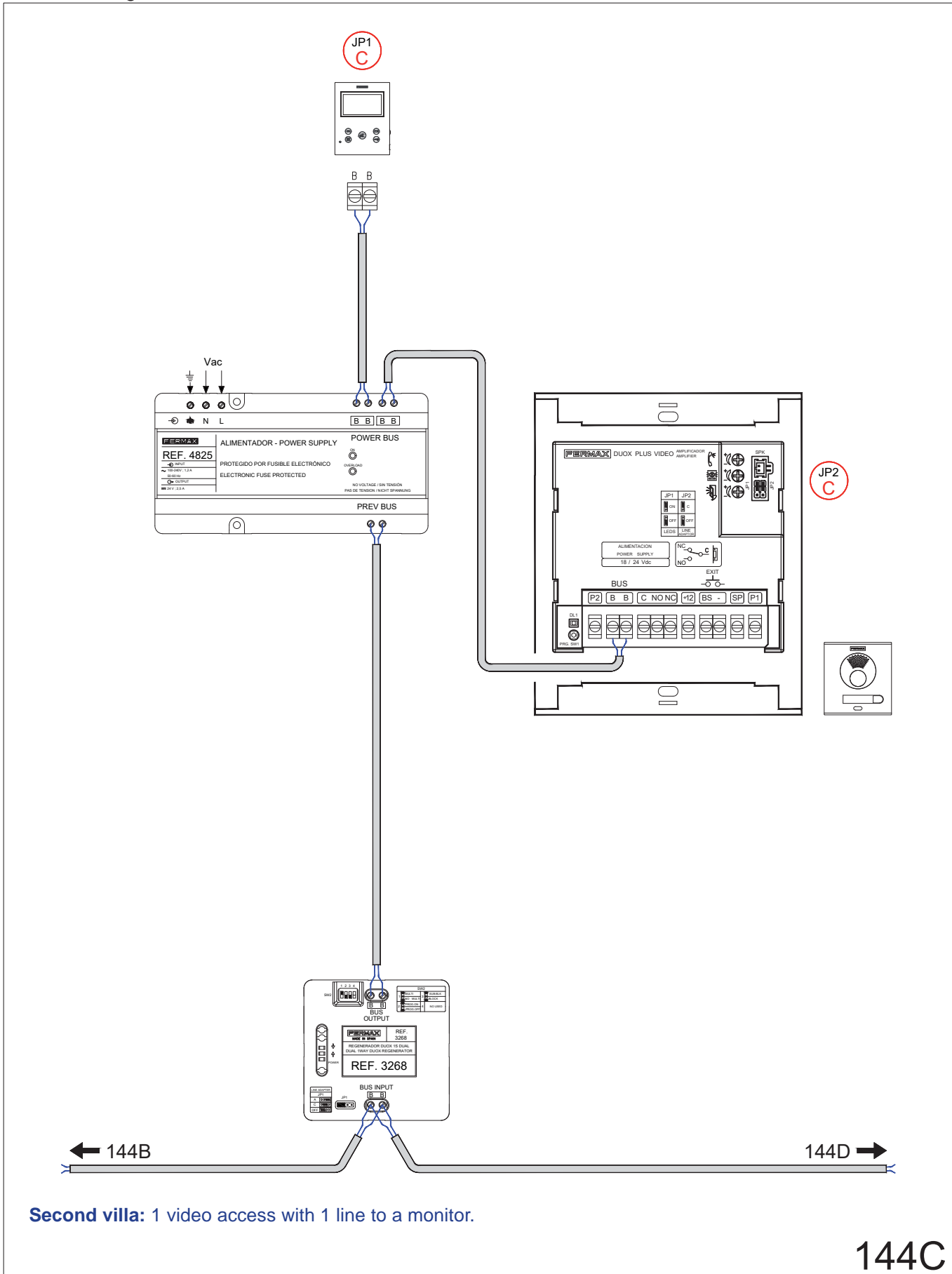


First villa: 1 video access with 1 line to a monitor.

144B

General entrance with 2 video accesses to 5 equal villas with outdoor panels.  
 Each villa. 1 video access with 1 line to a monitor.

144C - WIRING DIAGRAM. Connection detail: Outdoor panel - Power supply set - Monitor - 1S multi-channel regenerator.

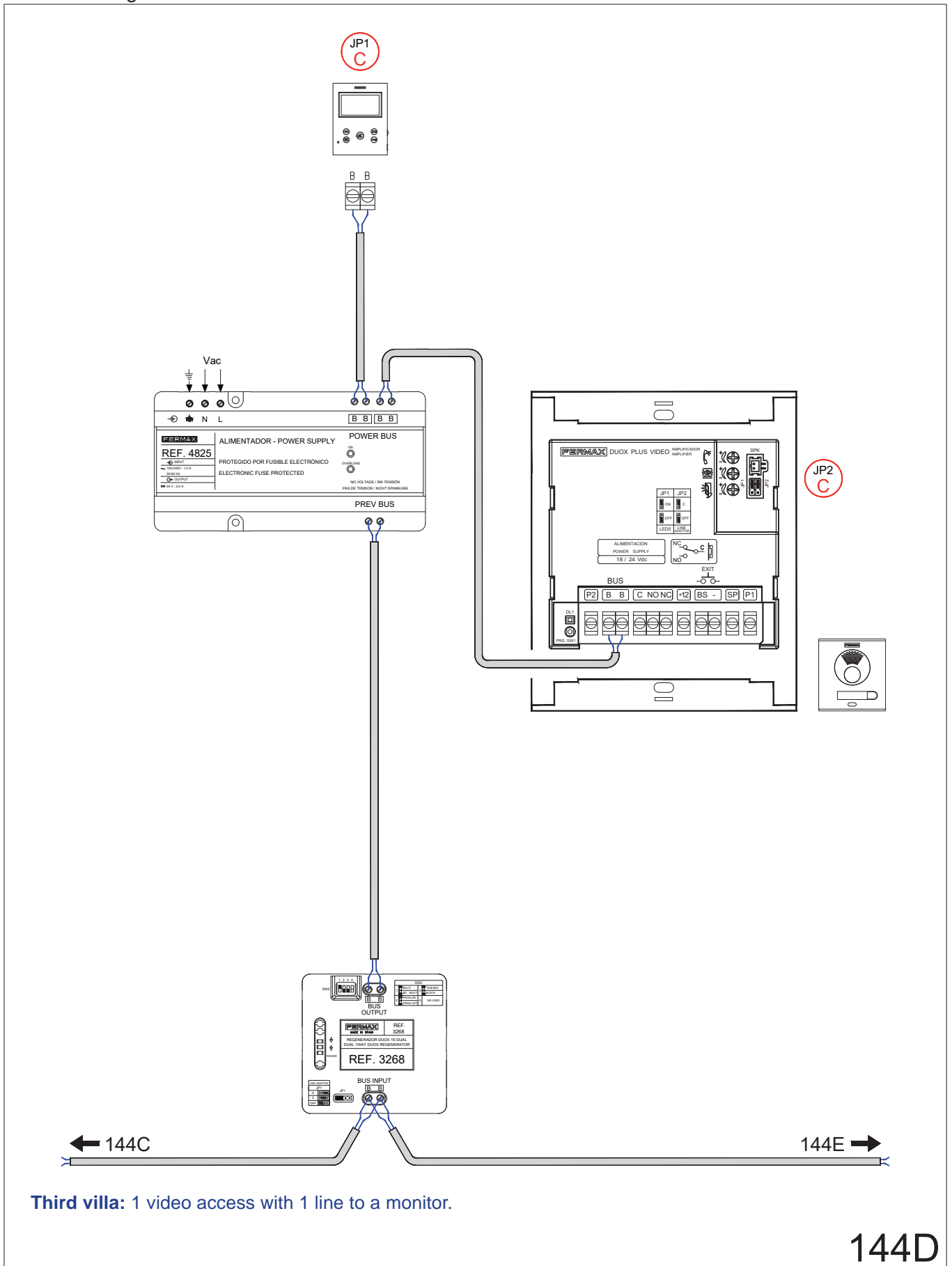


Second villa: 1 video access with 1 line to a monitor.

144C

General entrance with 2 video accesses to 5 equal villas with outdoor panels.  
 Each villa. 1 video access with 1 line to a monitor.

144D - WIRING DIAGRAM. Connection detail: Outdoor panel - Power supply set - Monitor - 1S multi-channel regenerator.

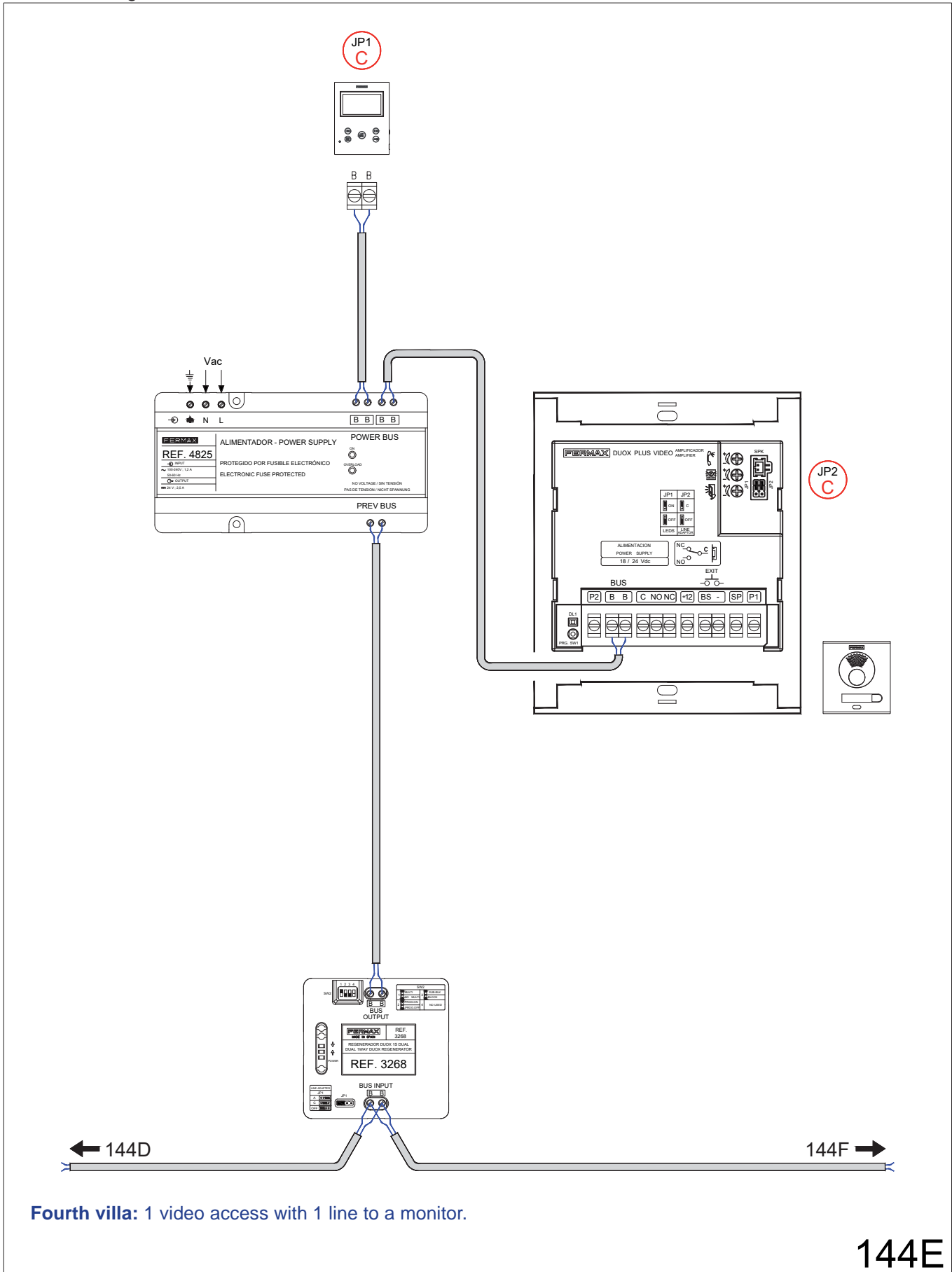


Third villa: 1 video access with 1 line to a monitor.

144D

General entrance with 2 video accesses to 5 equal villas with outdoor panels.  
 Each villa. 1 video access with 1 line to a monitor.

144E - WIRING DIAGRAM. Connection detail: Outdoor panel - Power supply set - Monitor - 1S multi-channel regenerator.

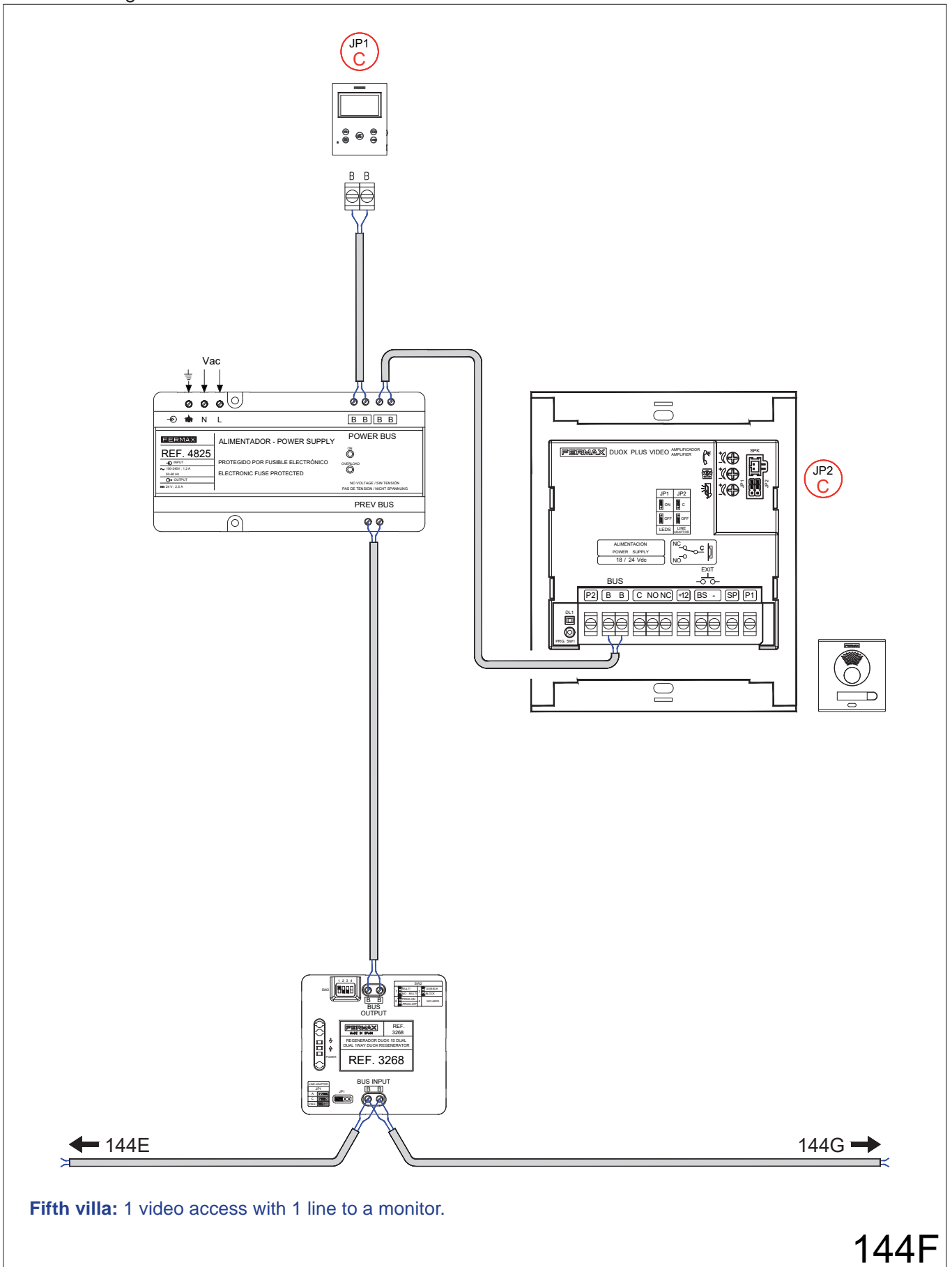


Fourth villa: 1 video access with 1 line to a monitor.

144E

General entrance with 2 video accesses to 5 equal villas with outdoor panels.  
 Each villa. 1 video access with 1 line to a monitor.

144F - WIRING DIAGRAM. Connection detail: Outdoor panel - Power supply set - Monitor - 1S multi-channel regenerator.

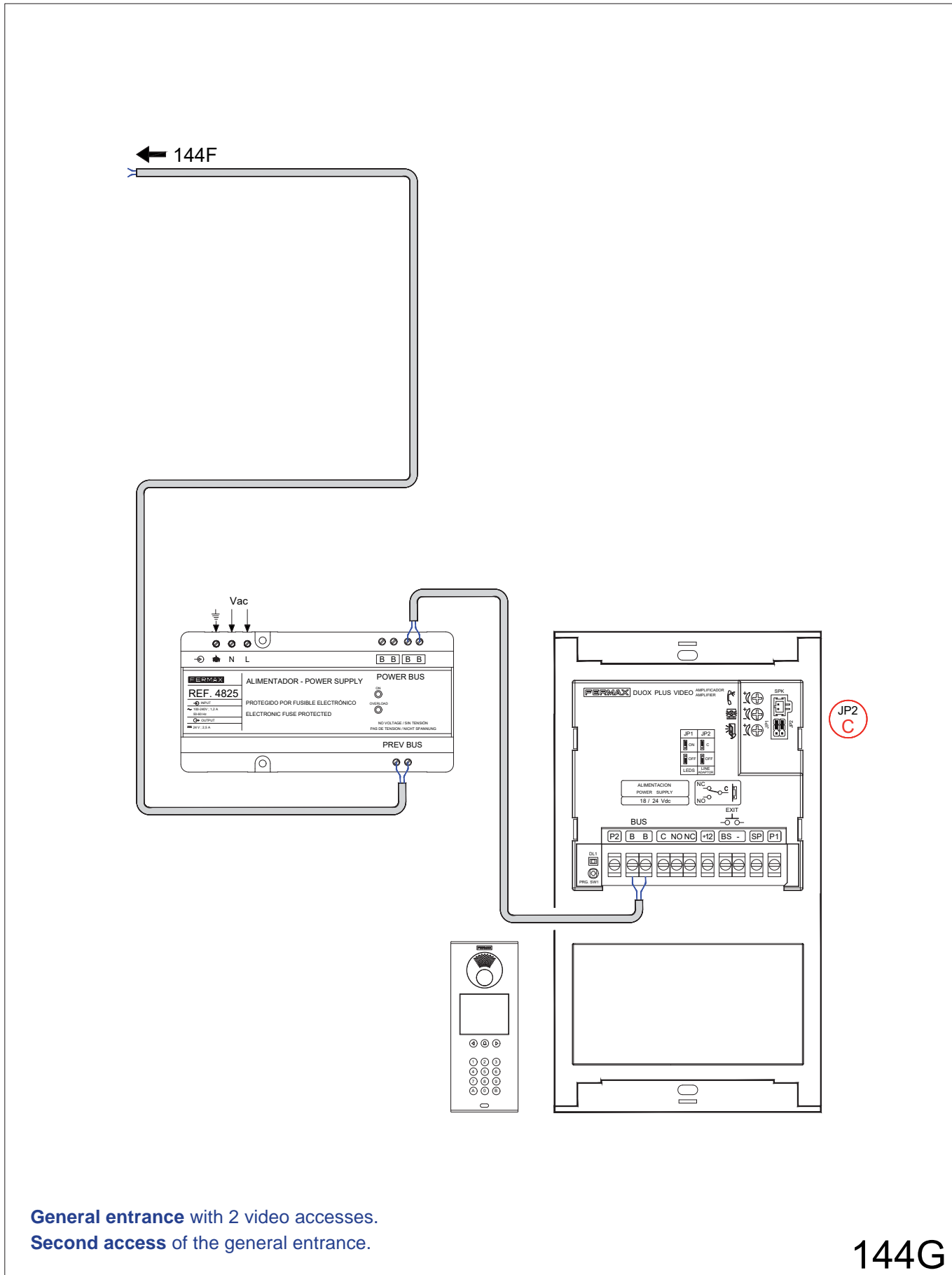


Fifth villa: 1 video access with 1 line to a monitor.

144F

General entrance with 2 video accesses to 5 equal villas with outdoor panels.  
 Each villa. 1 video access with 1 line to a monitor.

144G - WIRING DIAGRAM. Connection detail: Outdoor panel - Power supply set.

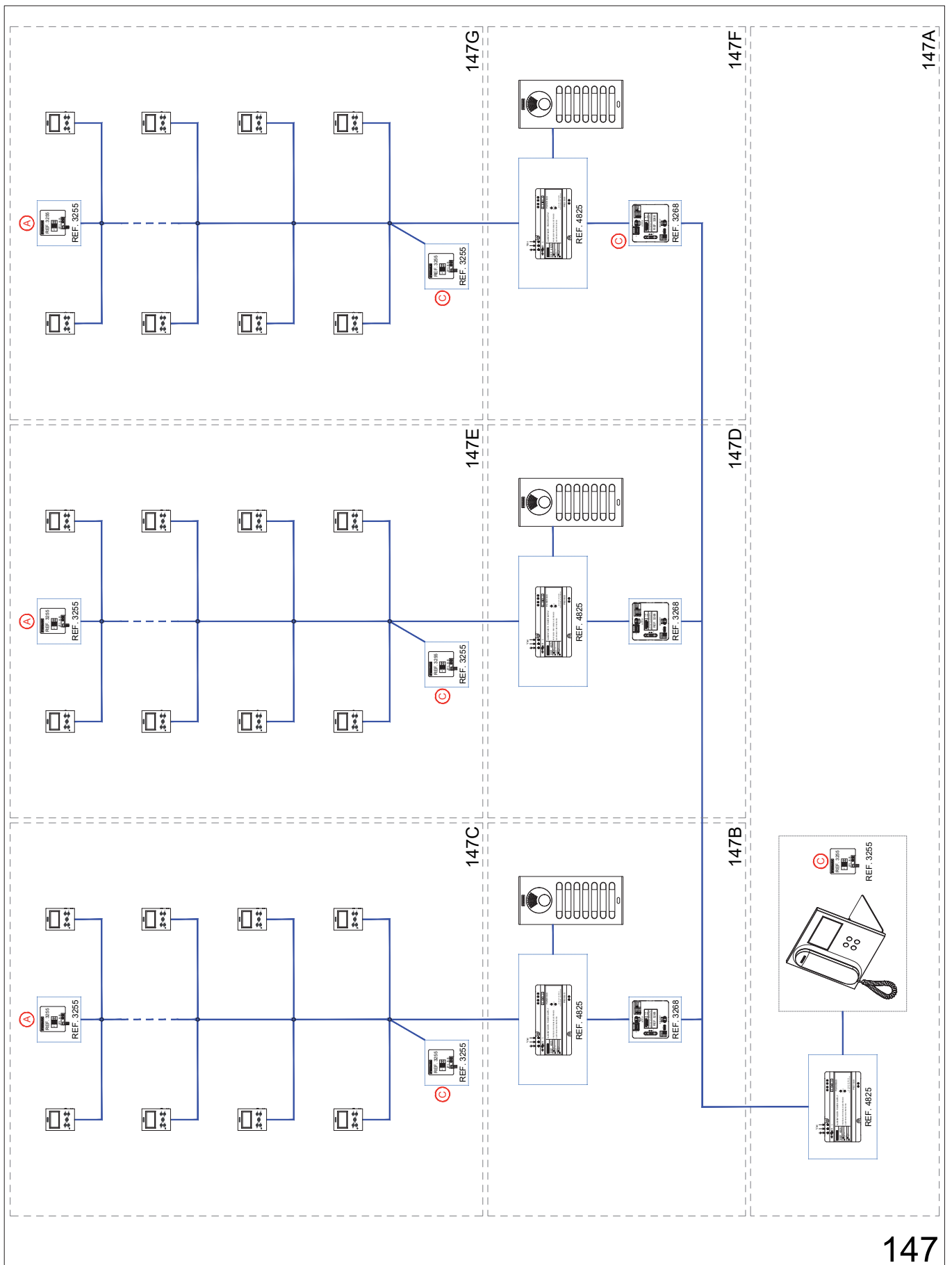


General entrance with 2 video accesses.  
 Second access of the general entrance.

144G

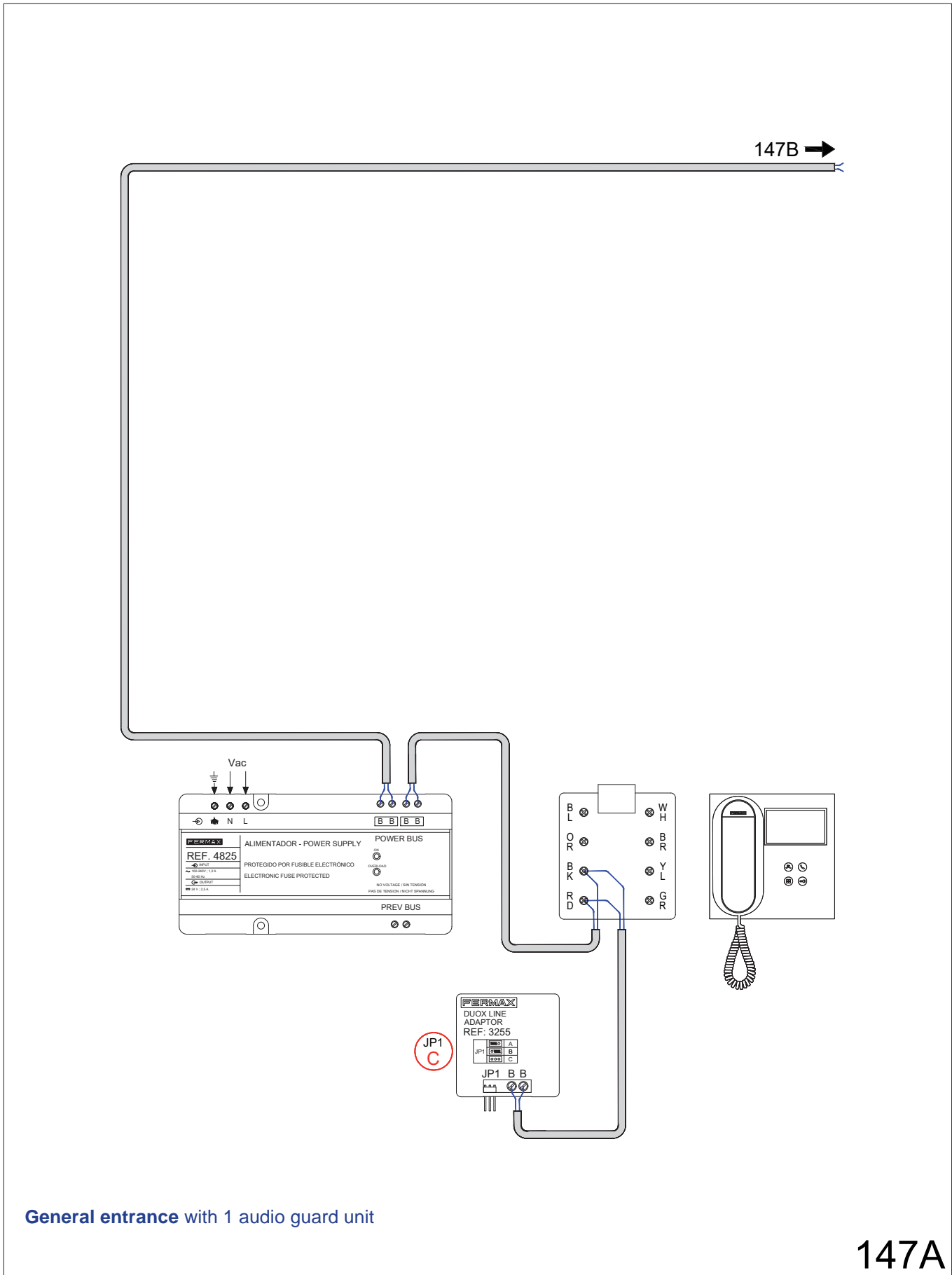
General entrance with 1 audio guard unit to 3 equal internal blocks with outdoor panels.  
 Each block. 1 video access with 1 riser. Distribution 2 terminals per floor.

147 - SINGLE-LINE DIAGRAM.



General entrance with 1 audio guard unit to 3 equal internal blocks with outdoor panels.  
 Each block. 1 video access with 1 riser. Distribution 2 terminals per floor.

147A - WIRING DIAGRAM. Connection detail: Guard unit - Power supply set - Line adapter.

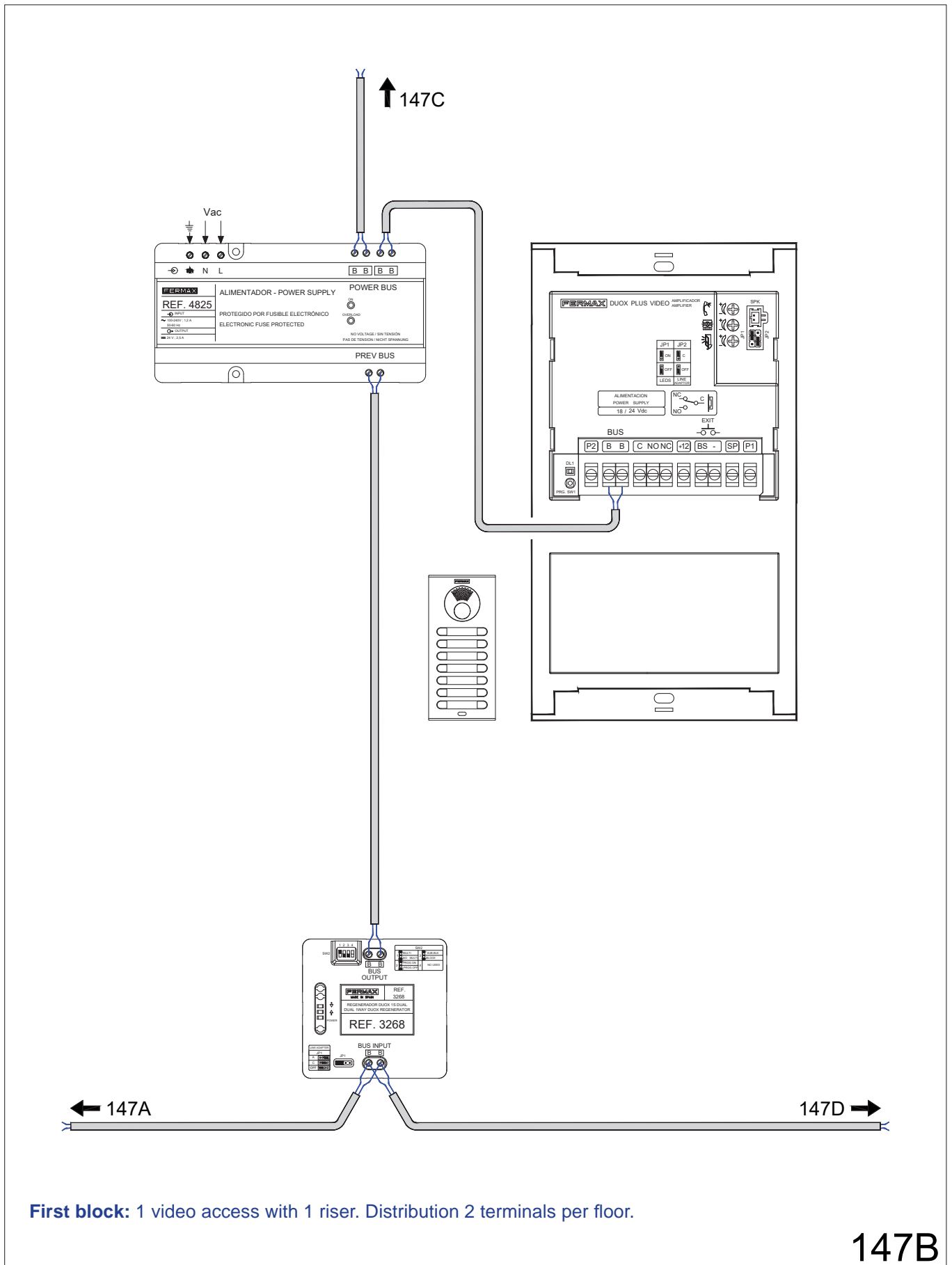


General entrance with 1 audio guard unit

147A

General entrance with 1 audio guard unit to 3 equal internal blocks with outdoor panels.  
 Each block. 1 video access with 1 riser. Distribution 2 terminals per floor.

147B - WIRING DIAGRAM. Connection detail: Outdoor panel - Power supply set - 1S multi-channel regenerator.

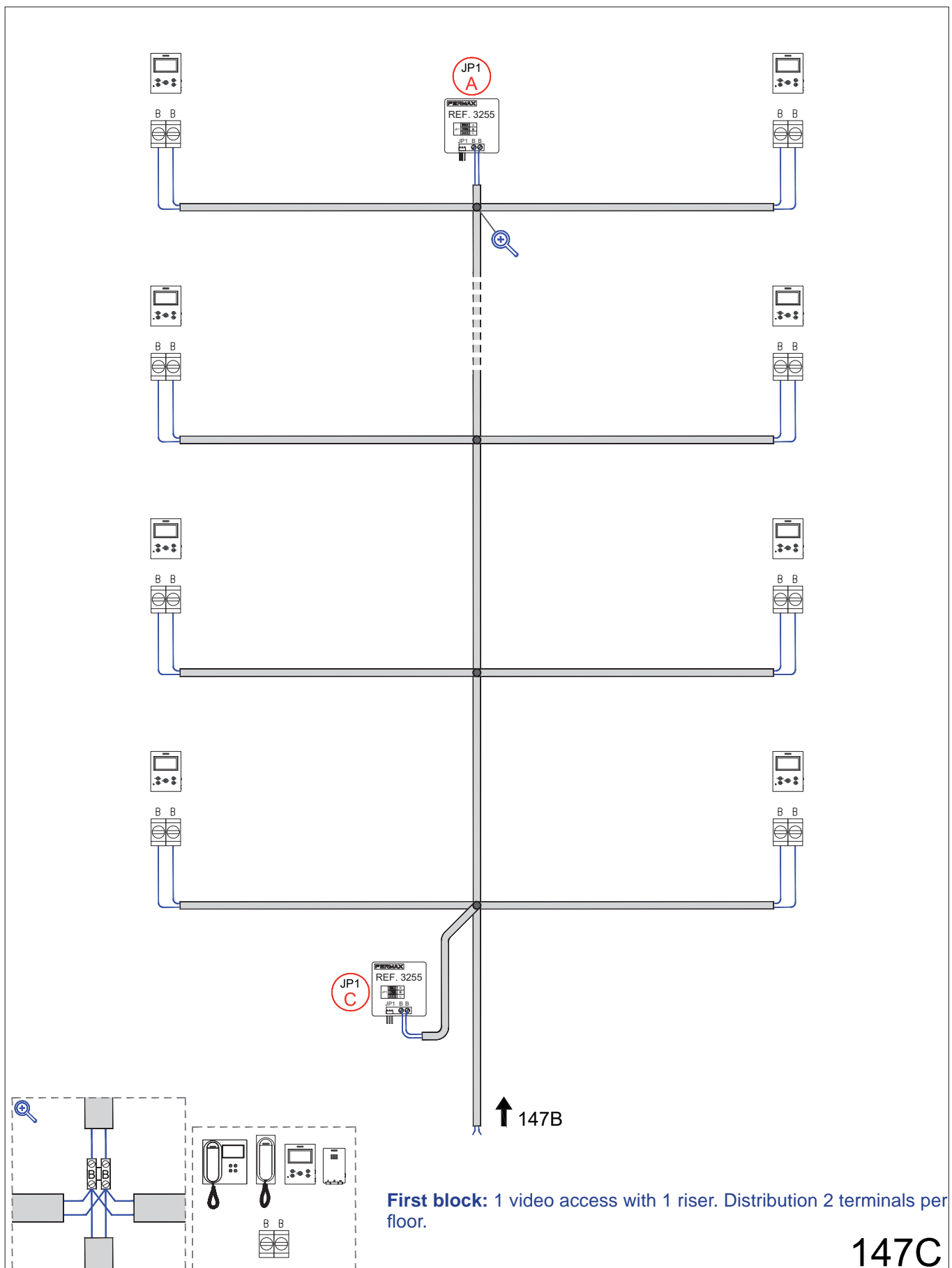


First block: 1 video access with 1 riser. Distribution 2 terminals per floor.

147B

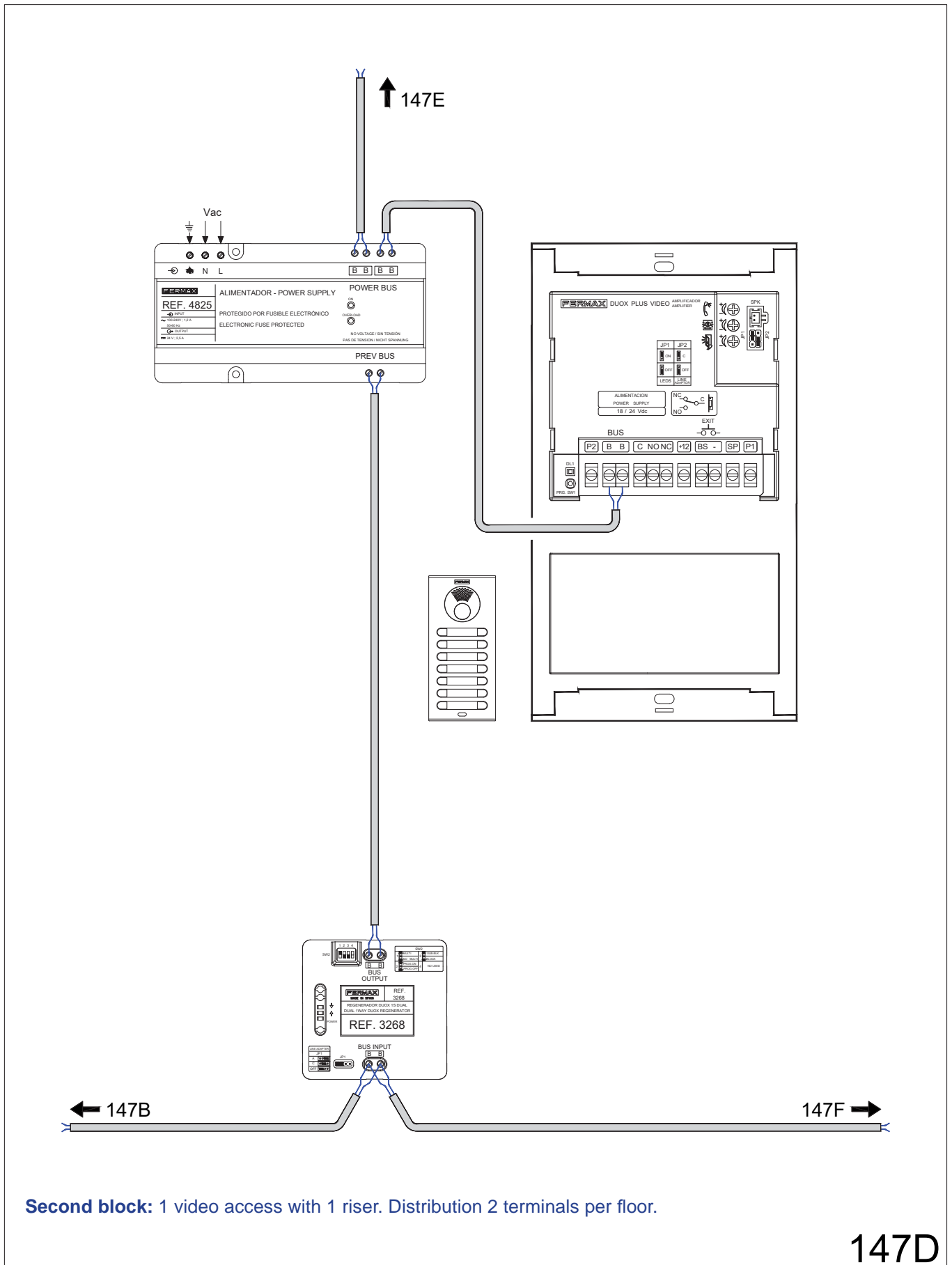
General entrance with 1 audio guard unit to 3 equal internal blocks with outdoor panels.  
 Each block. 1 video access with 1 riser. Distribution 2 terminals per floor.

147C - WIRING DIAGRAM. Connection detail: Floors (Terminals - Line adapters).



General entrance with 1 audio guard unit to 3 equal internal blocks with outdoor panels.  
 Each block. 1 video access with 1 riser. Distribution 2 terminals per floor.

147D - WIRING DIAGRAM. Connection detail: Outdoor panel - Power supply set - 1S multi-channel regenerator.

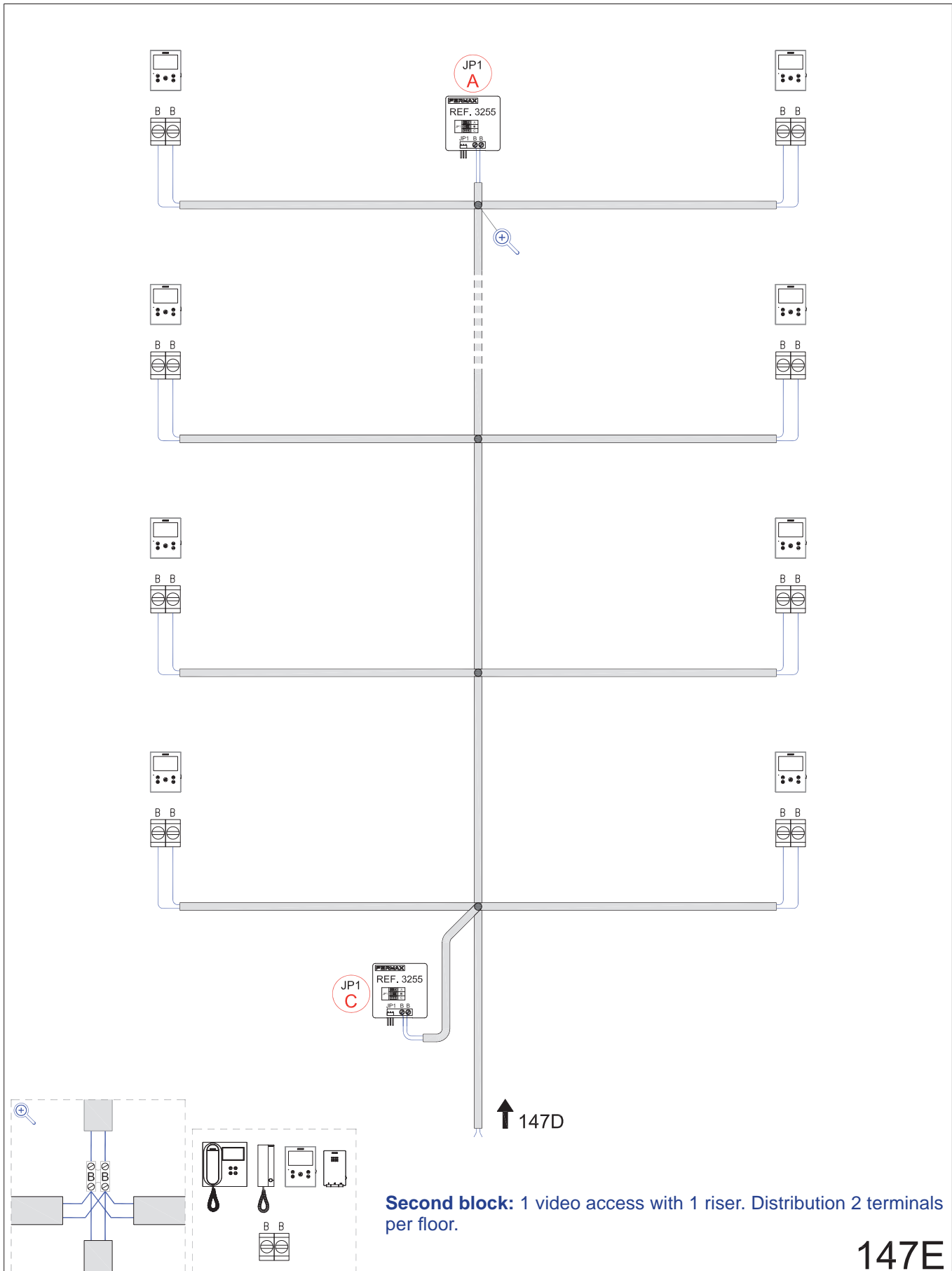


Second block: 1 video access with 1 riser. Distribution 2 terminals per floor.

147D

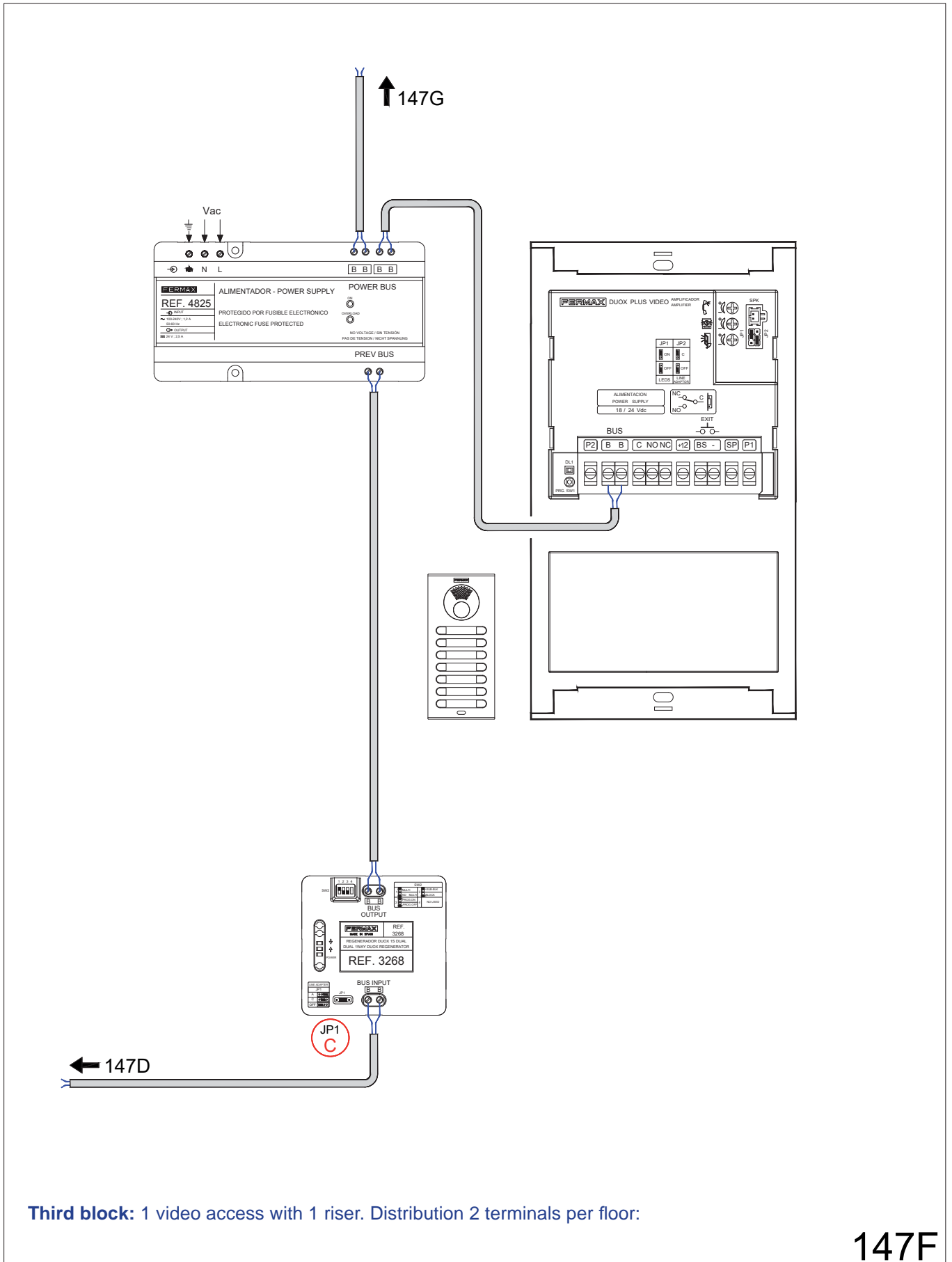
General entrance with 1 audio guard unit to 3 equal internal blocks with outdoor panels.  
 Each block. 1 video access with 1 riser. Distribution 2 terminals per floor.

147E - WIRING DIAGRAM. Connection detail: Floors (Terminals - Line adapters).



General entrance with 1 audio guard unit to 3 equal internal blocks with outdoor panels.  
 Each block. 1 video access with 1 riser. Distribution 2 terminals per floor.

147F - WIRING DIAGRAM. Connection detail: Outdoor panel - Power supply set - 1S multi-channel regenerator.

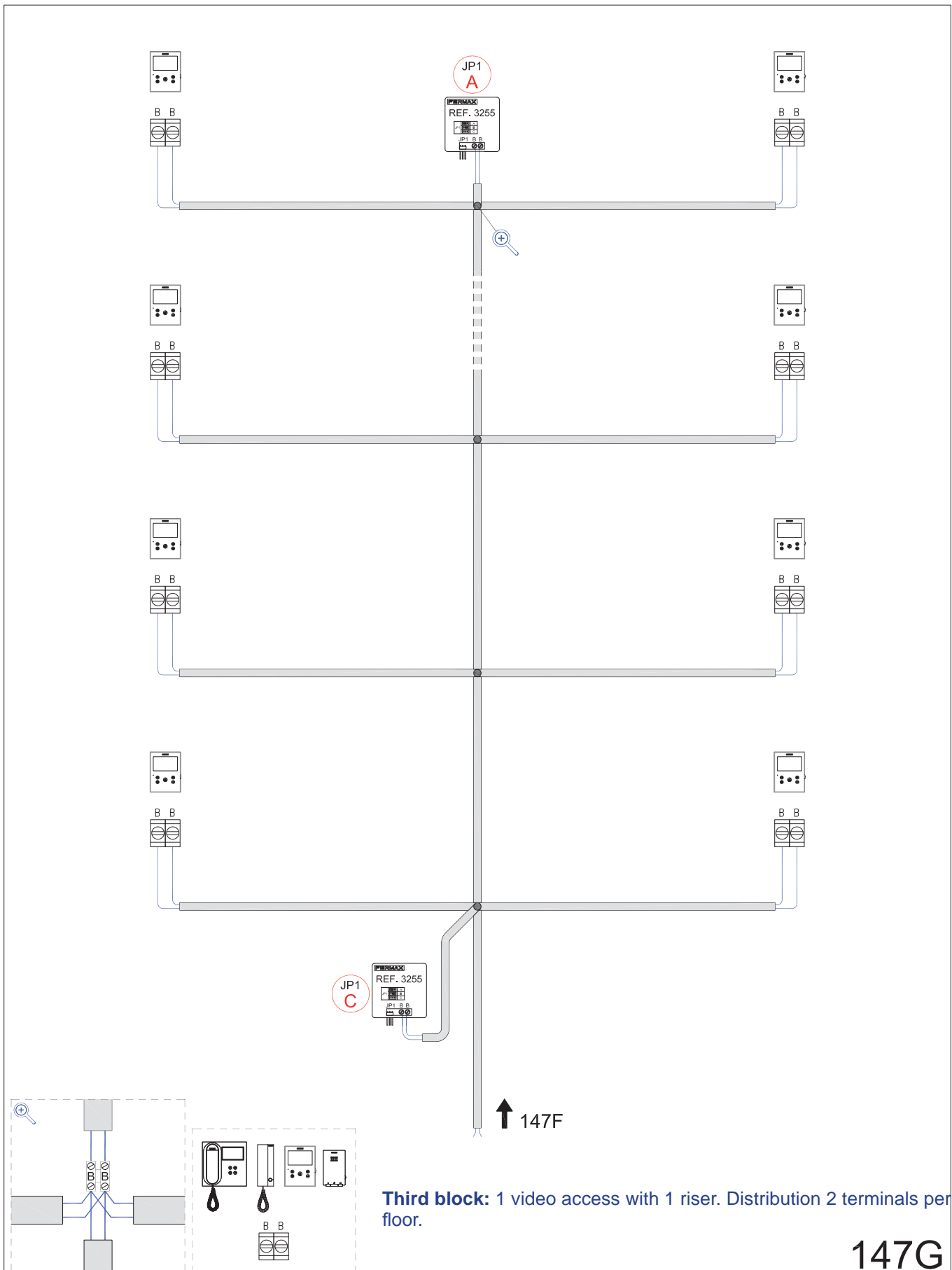


Third block: 1 video access with 1 riser. Distribution 2 terminals per floor:

147F

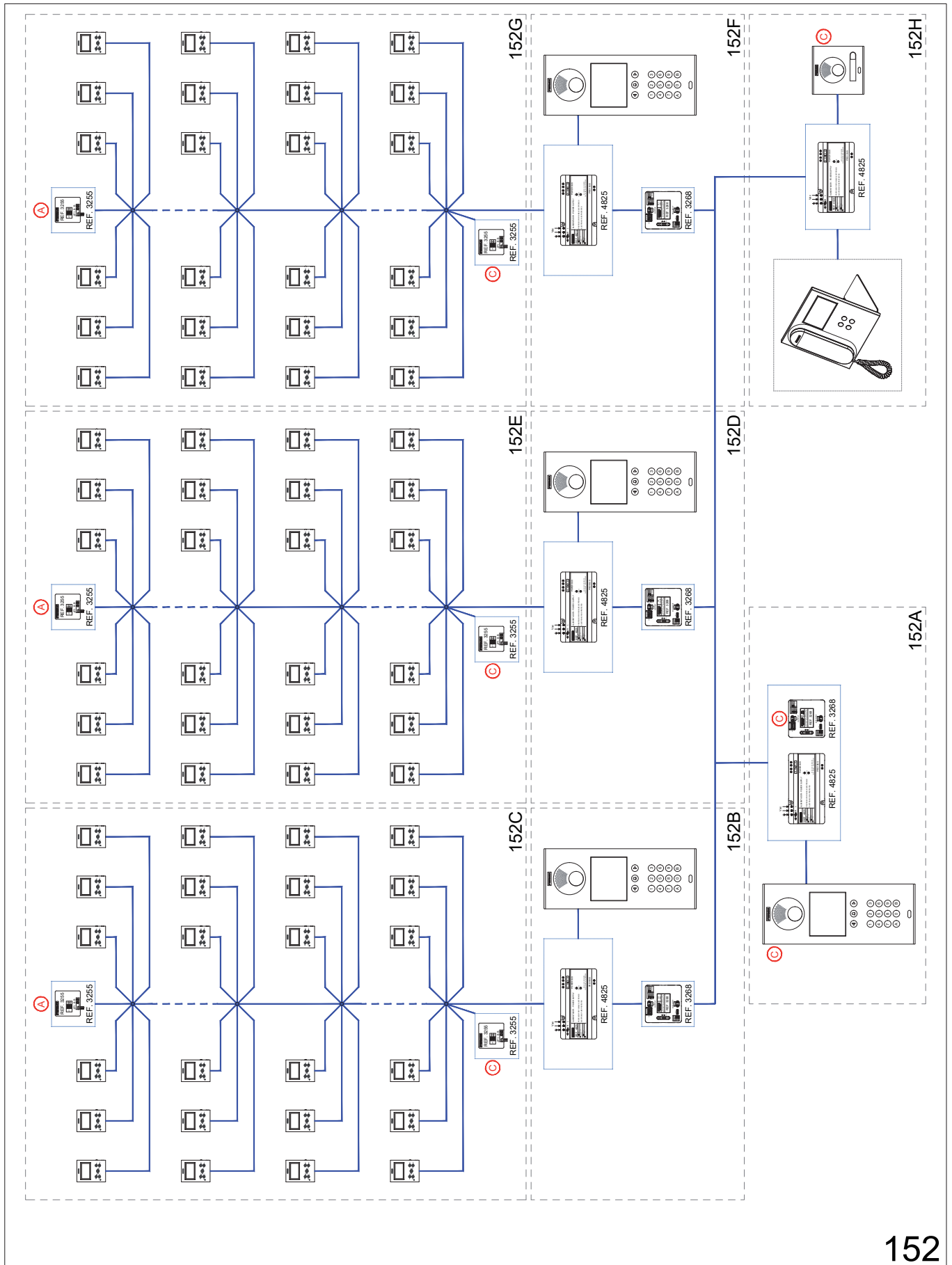
General entrance with 1 audio guard unit to 3 equal internal blocks with outdoor panels.  
 Each block. 1 video access with 1 riser. Distribution 2 terminals per floor.

147G - WIRING DIAGRAM. Connection detail: Floors (Terminals - Line adapters).



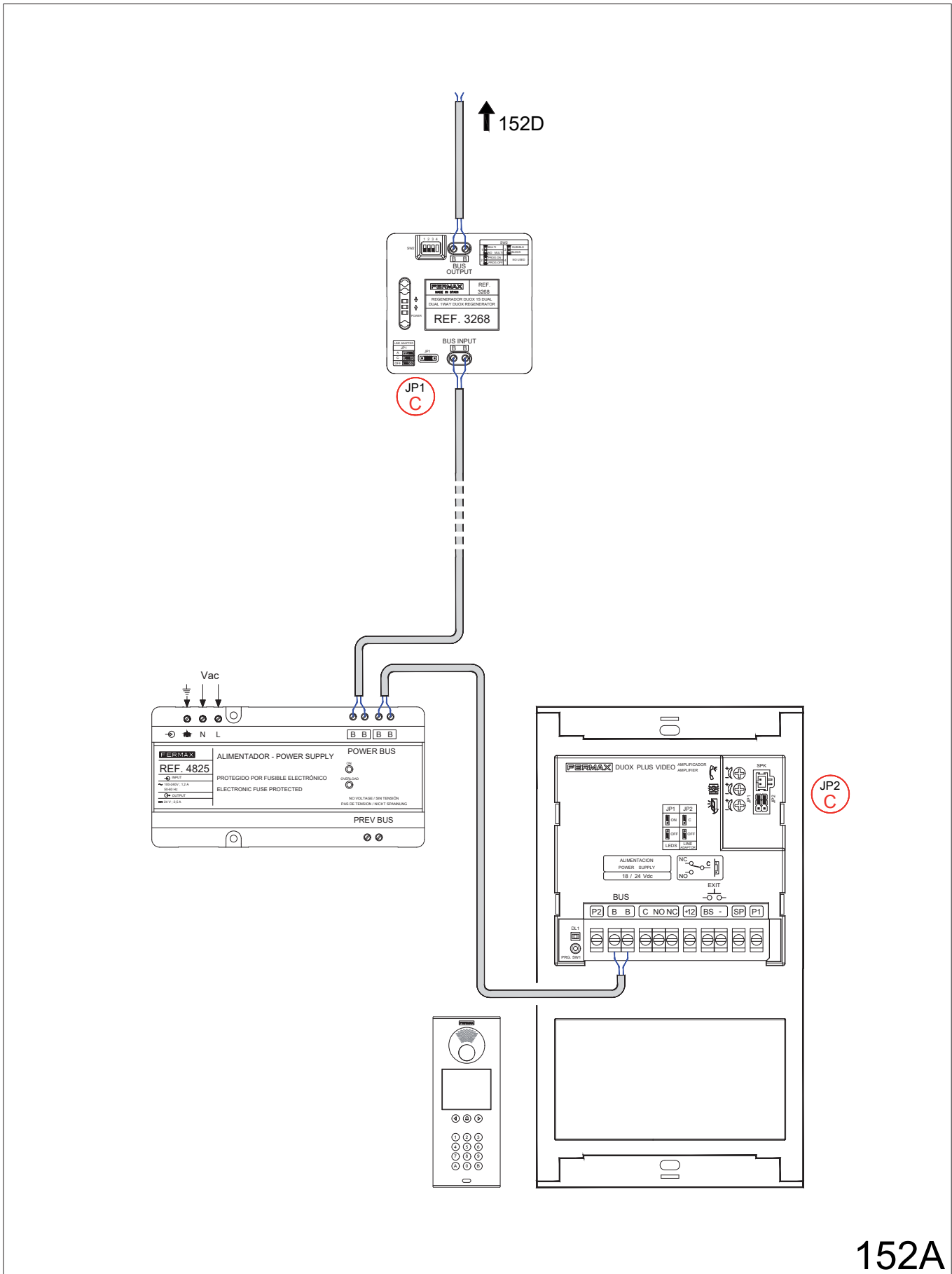
General entrance with 1 video access and 1 audio guard unit to 3 equal internal blocks with panels  
 Each block. 1 video access with 1 riser. Distribution 6 terminals per floor.

152 - SINGLE-LINE DIAGRAM.



General entrance with 1 video access and 1 audio guard unit to 3 equal internal blocks with panels  
 Each block. 1 video access with 1 riser. Distribution 6 terminals per floor.

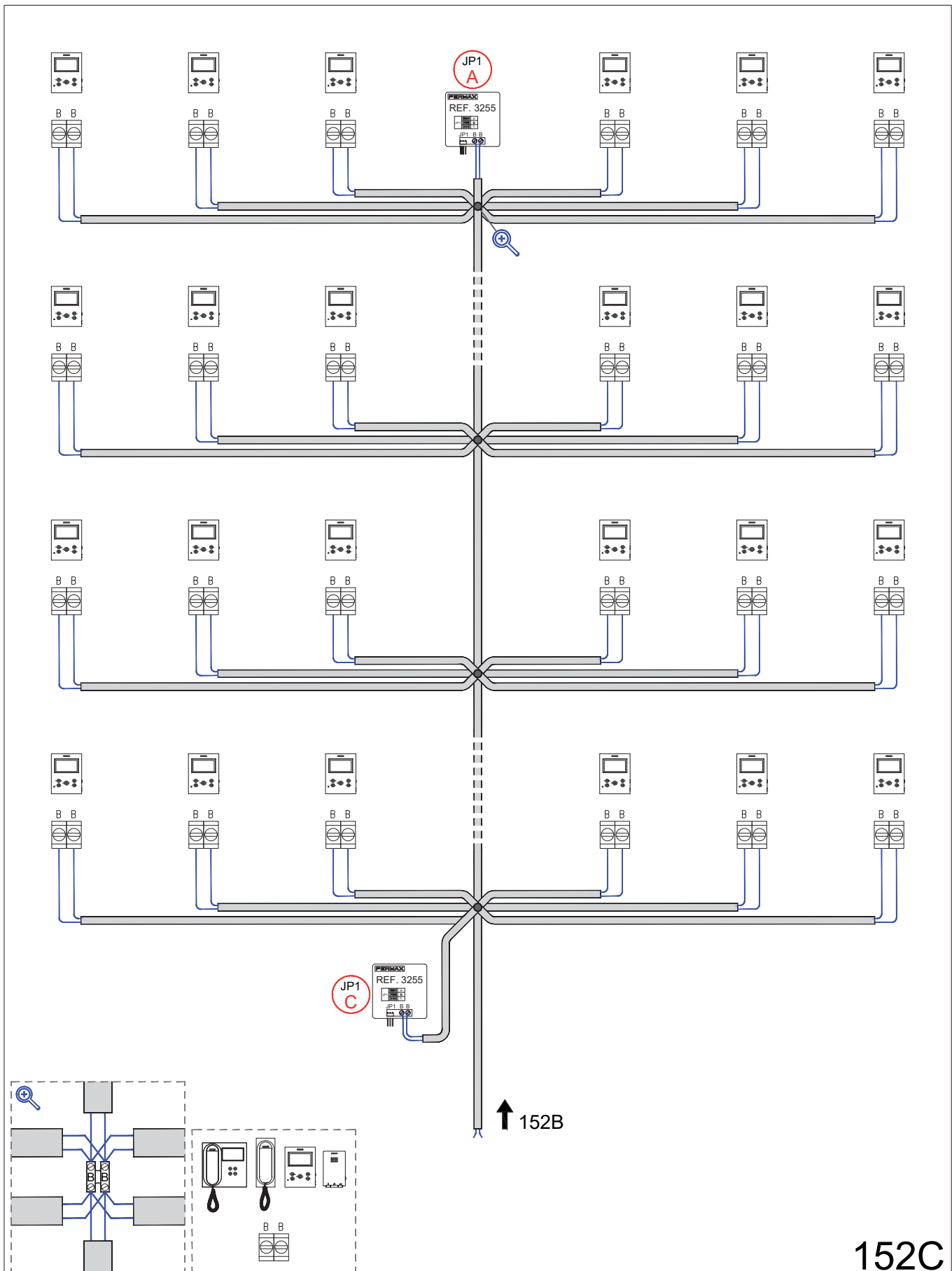
152A





General entrance with 1 audio guard unit to 3 equal internal blocks with outdoor panels.  
 Each block. 1 video access with 1 riser. Distribution 2 terminals per floor.

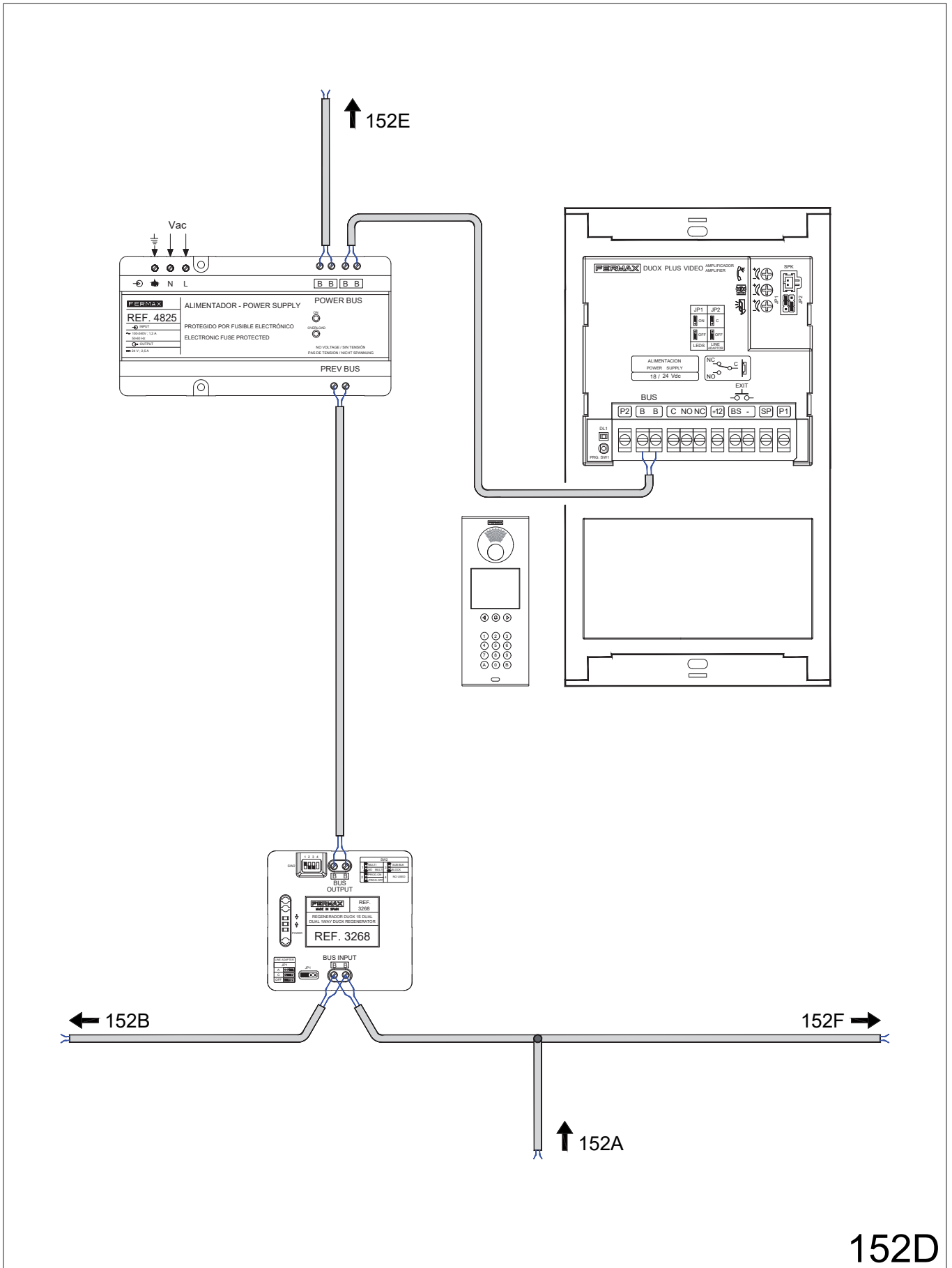
152C



152C

General entrance with 1 audio guard unit to 3 equal internal blocks with outdoor panels.  
 Each block. 1 video access with 1 riser. Distribution 2 terminals per floor.

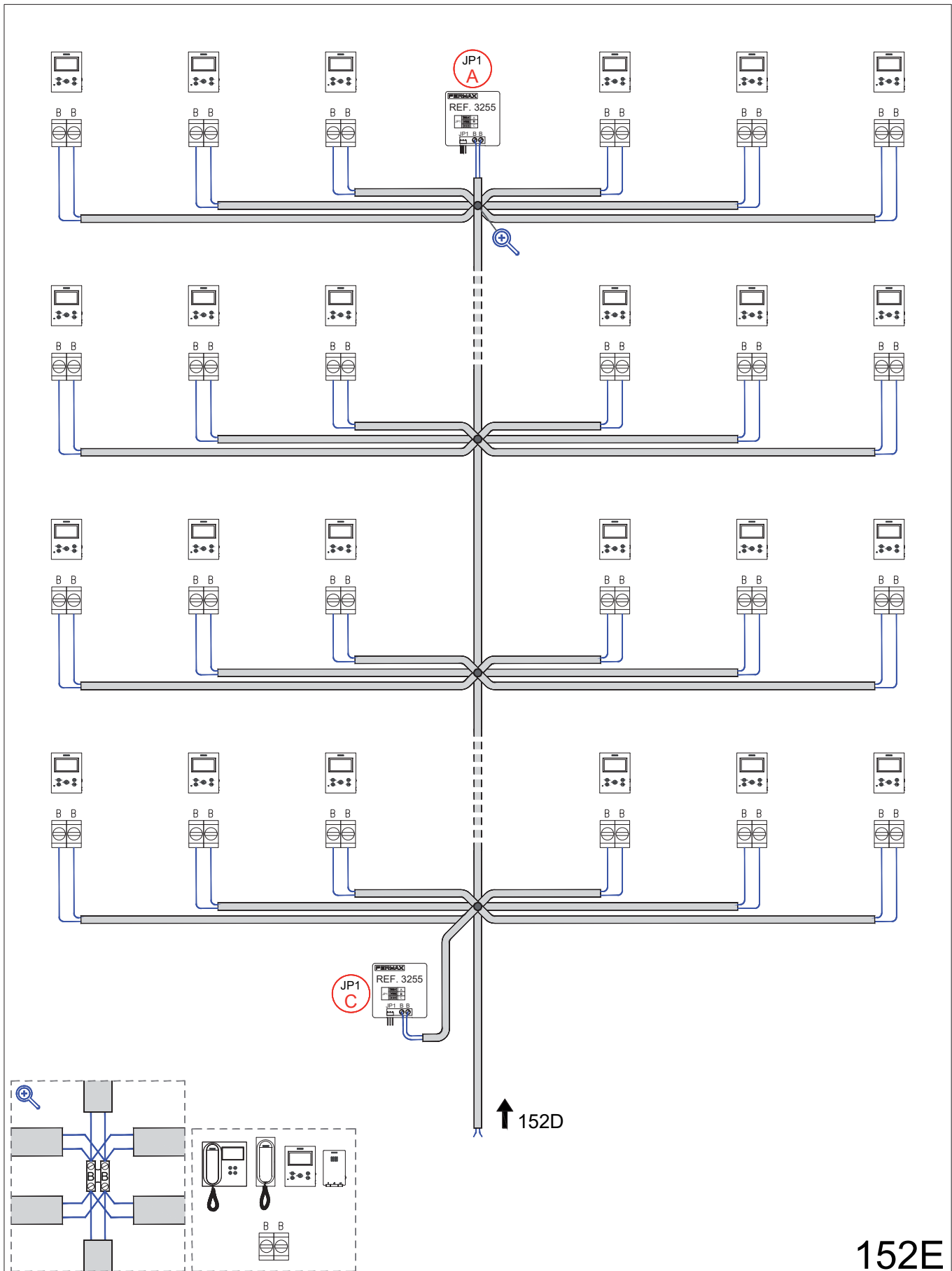
152D



152D

General entrance with 1 audio guard unit to 3 equal internal blocks with outdoor panels.  
Each block. 1 video access with 1 riser. Distribution 2 terminals per floor.

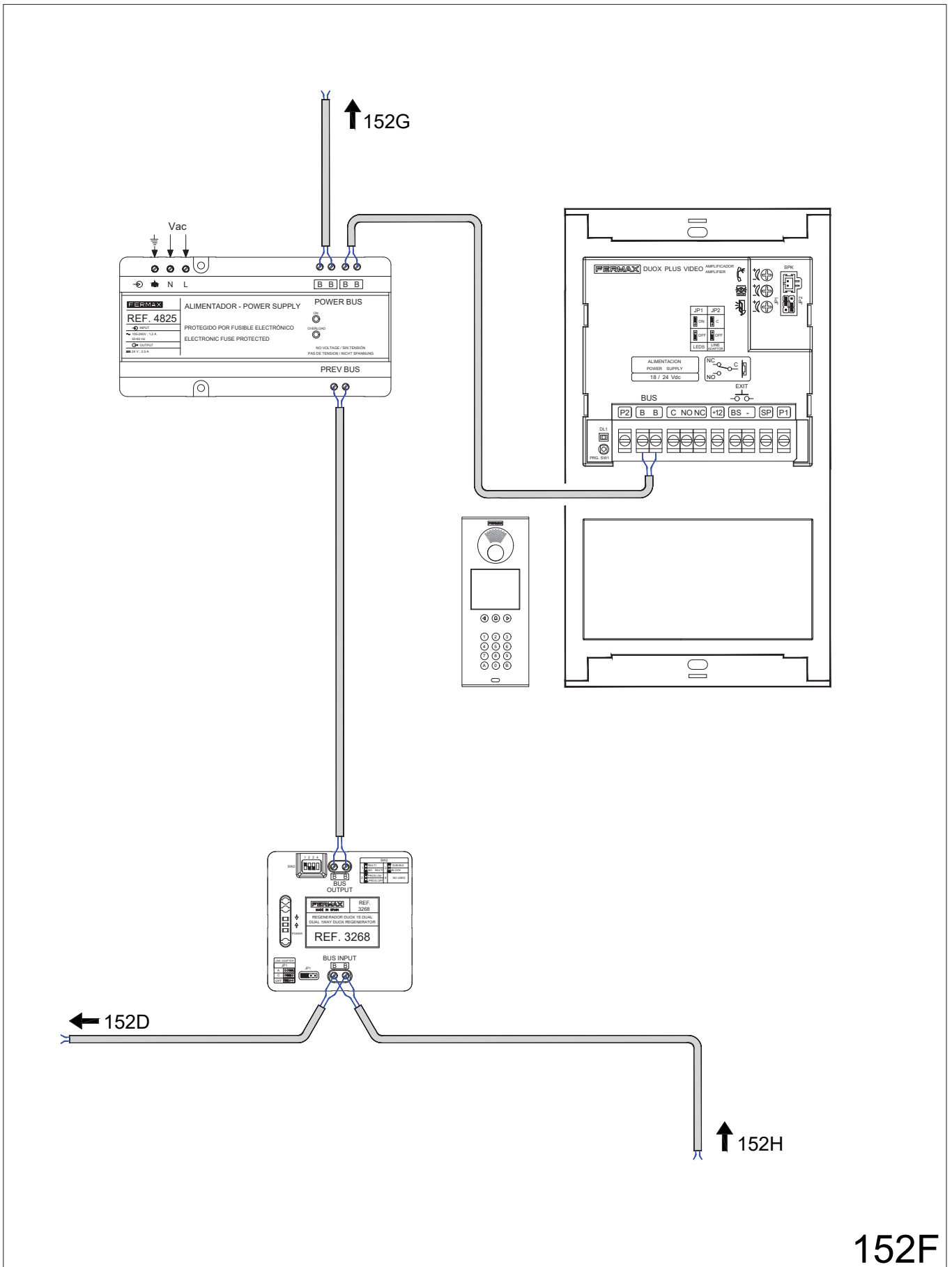
152E



152E

General entrance with 1 audio guard unit to 3 equal internal blocks with outdoor panels.  
 Each block. 1 video access with 1 riser. Distribution 2 terminals per floor.

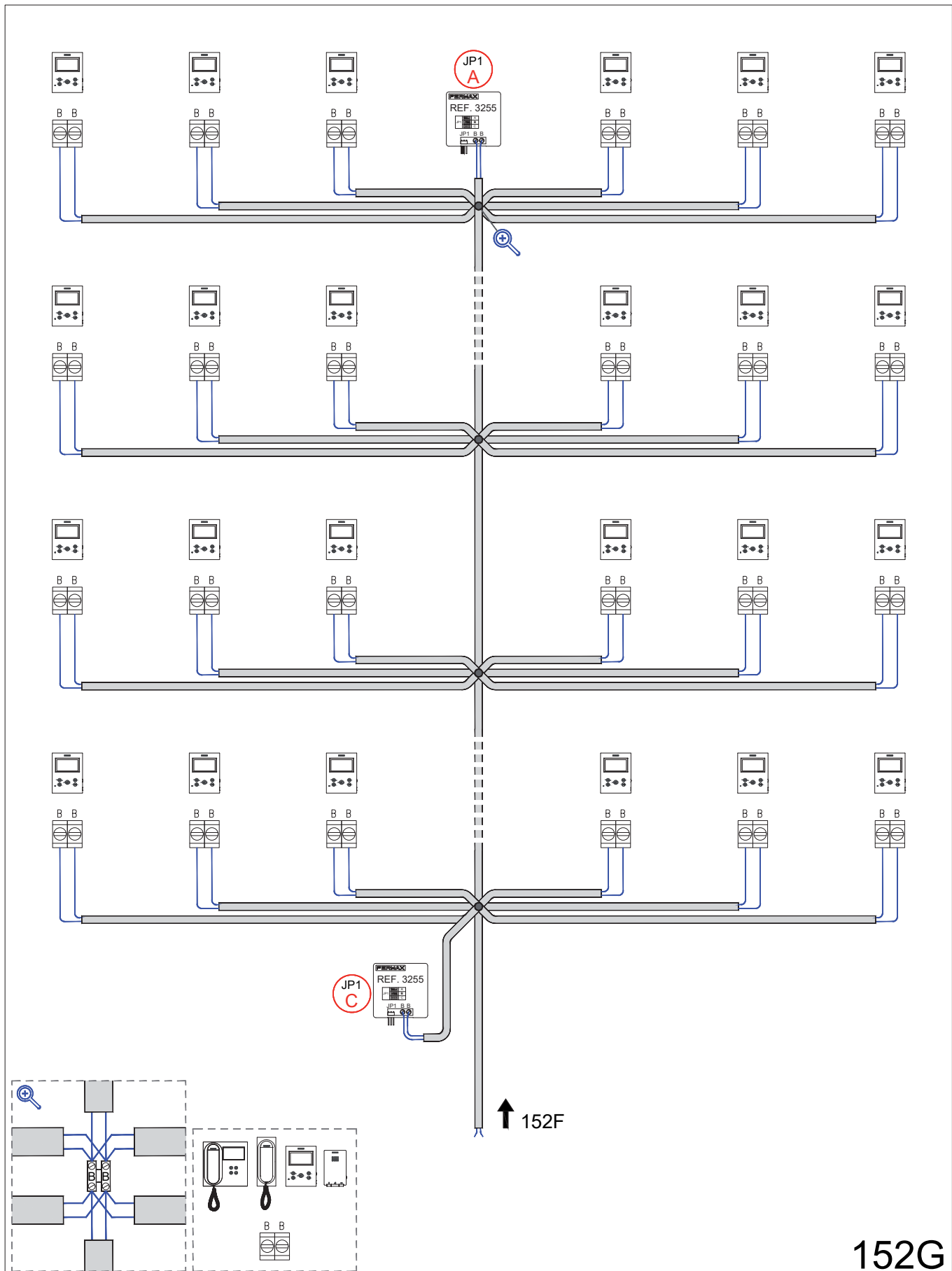
152F



152F

General entrance with 1 audio guard unit to 3 equal internal blocks with outdoor panels.  
 Each block. 1 video access with 1 riser. Distribution 2 terminals per floor.

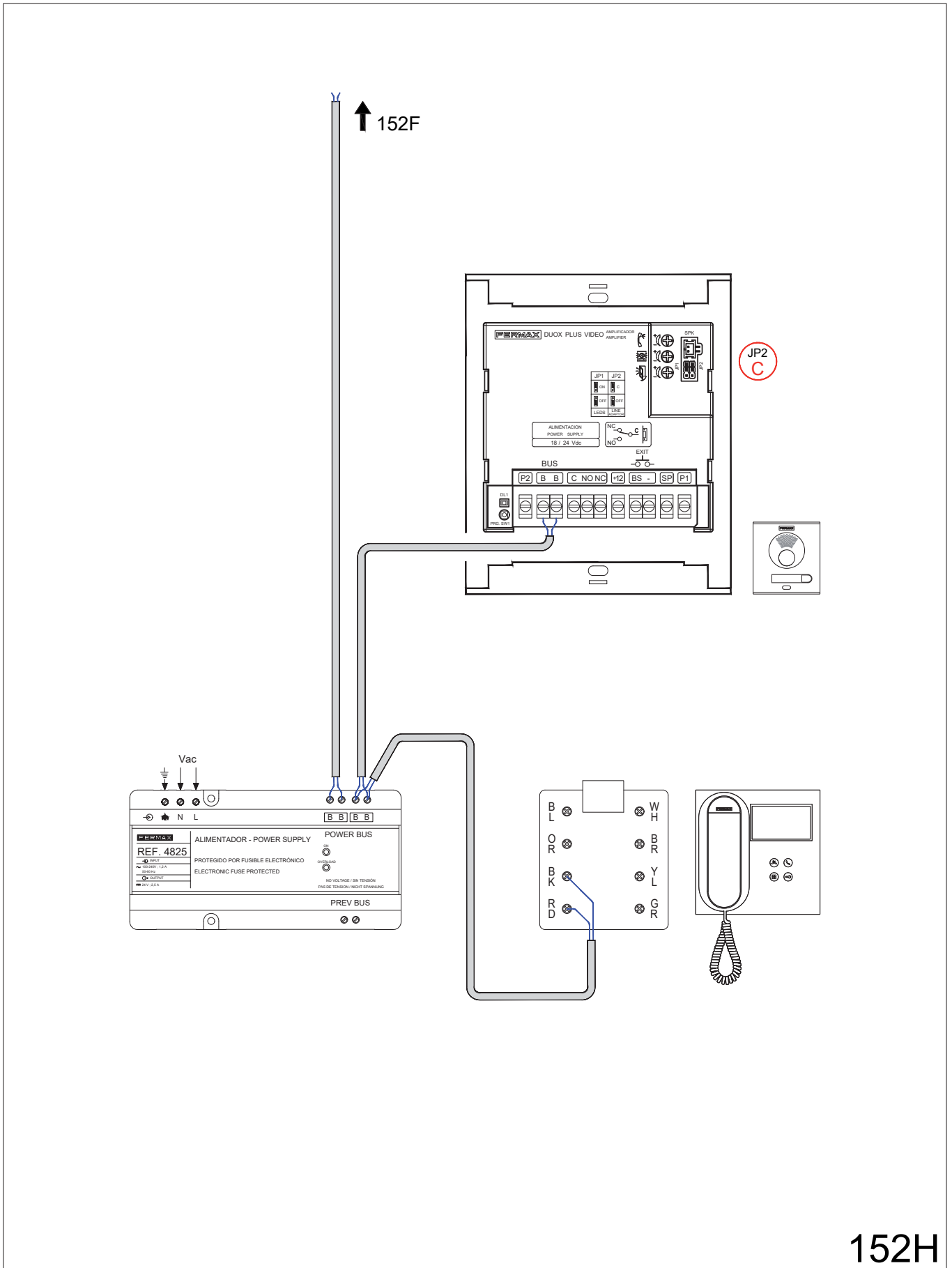
152G



152G

General entrance with 1 audio guard unit to 3 equal internal blocks with outdoor panels. Each block. 1 video access with 1 riser. Distribution 2 terminals per floor.

152H

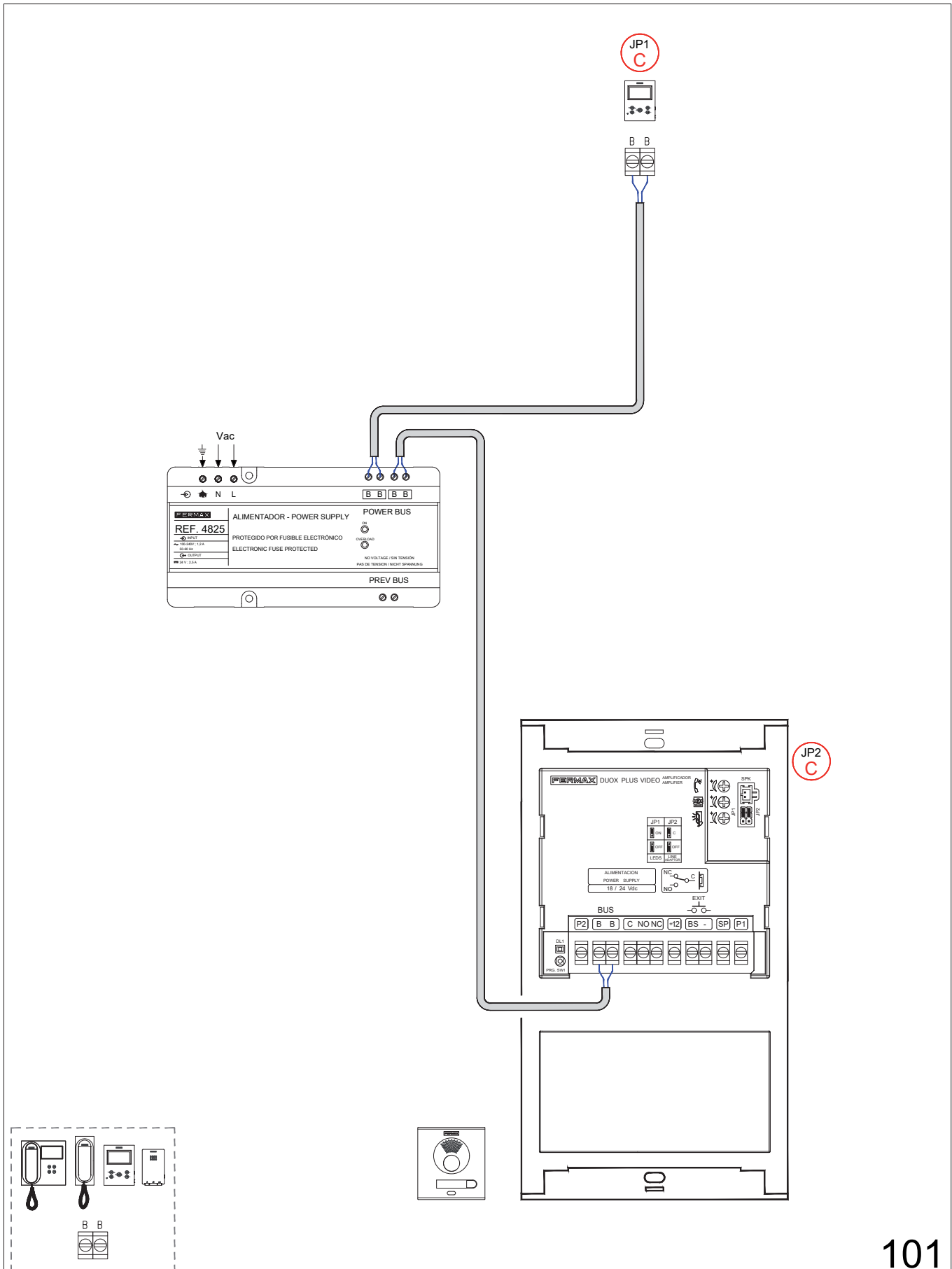


152H

2.3.6 BASIC KITS

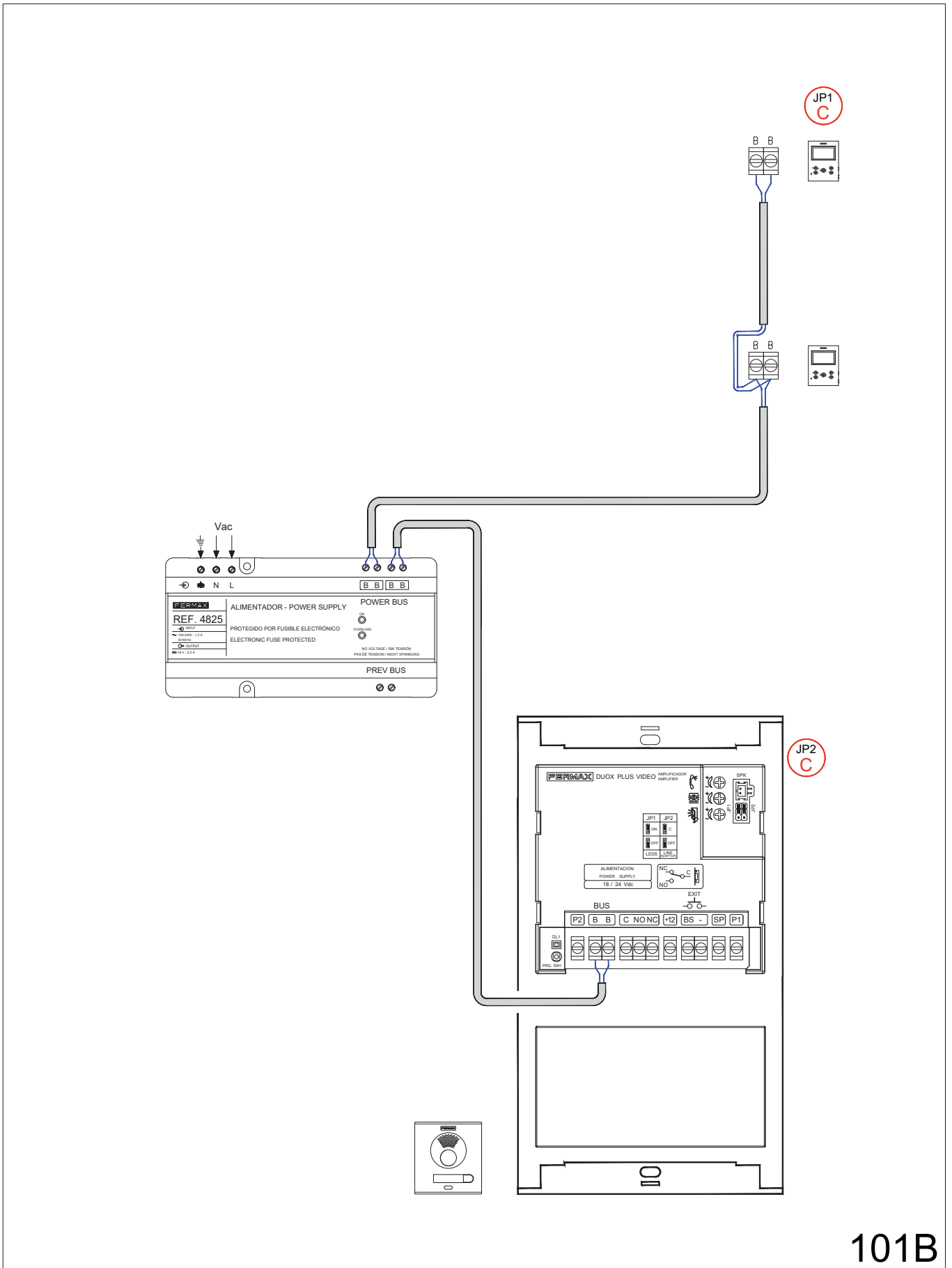
1-line kit.

101 - WIRING DIAGRAM.



1 Line Kit with 1 additional monitor.

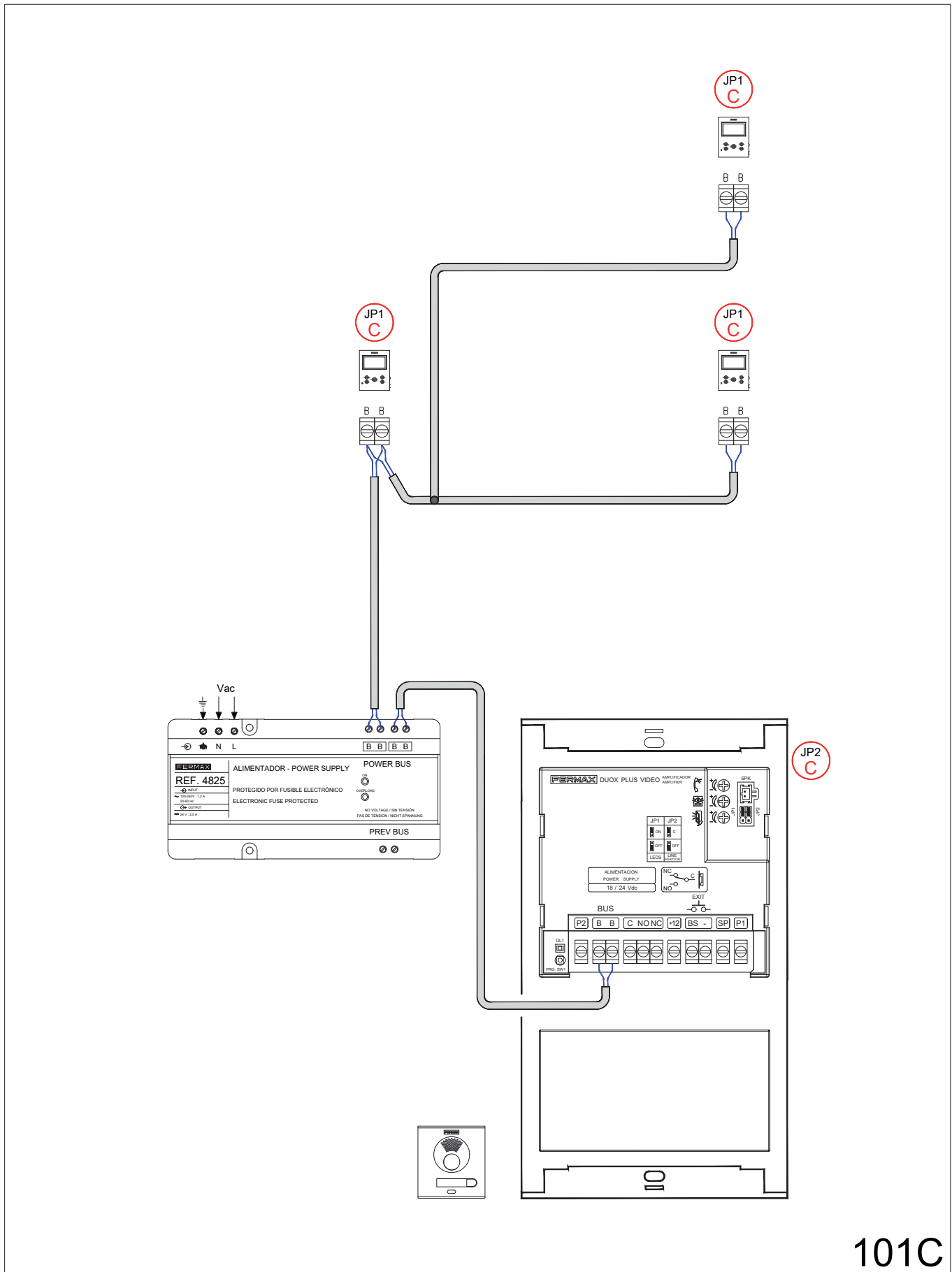
101B - WIRING DIAGRAM.



101B

1 Line Kit with 2 additional monitors.

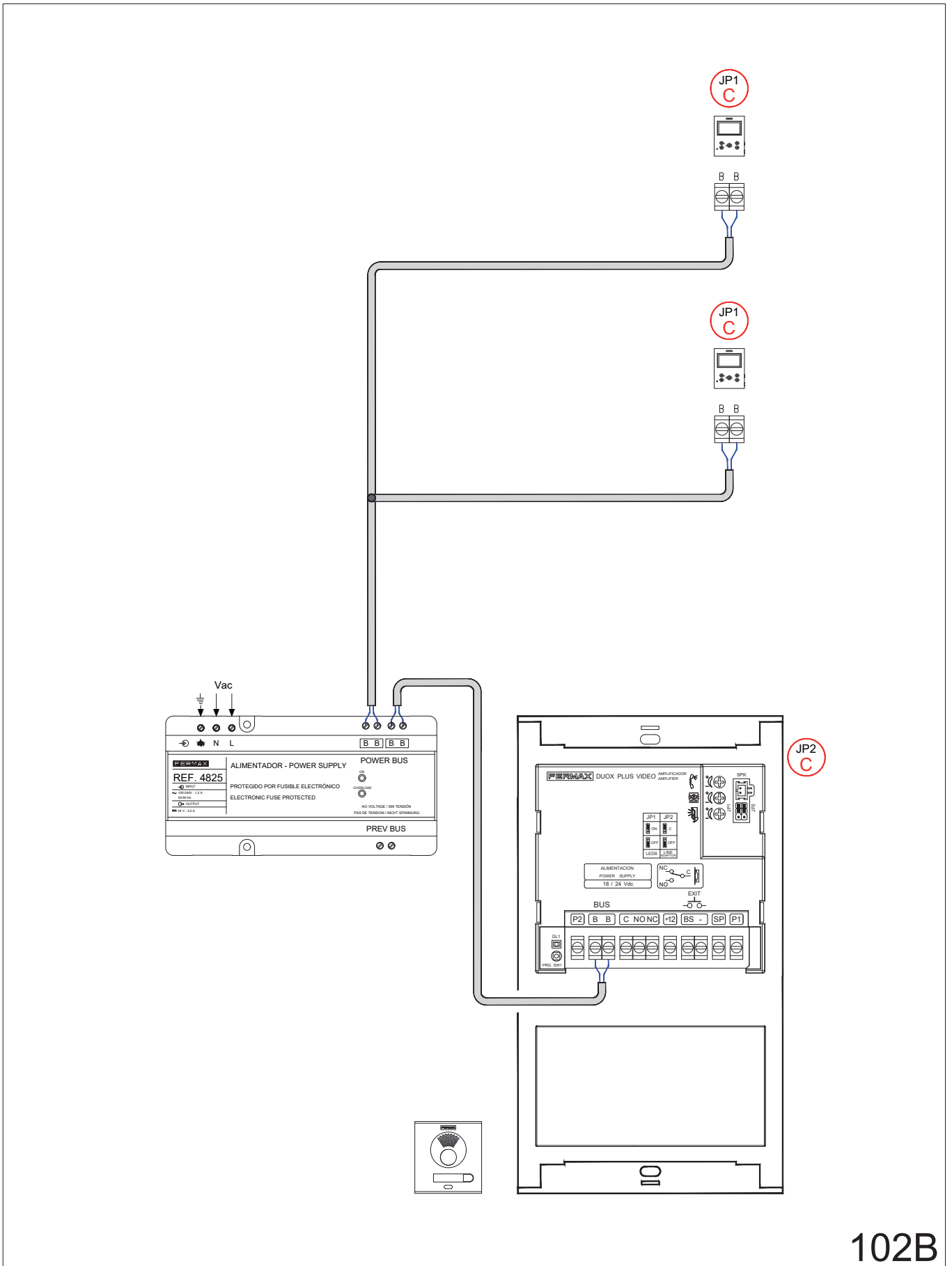
101C - WIRING DIAGRAM.



101C

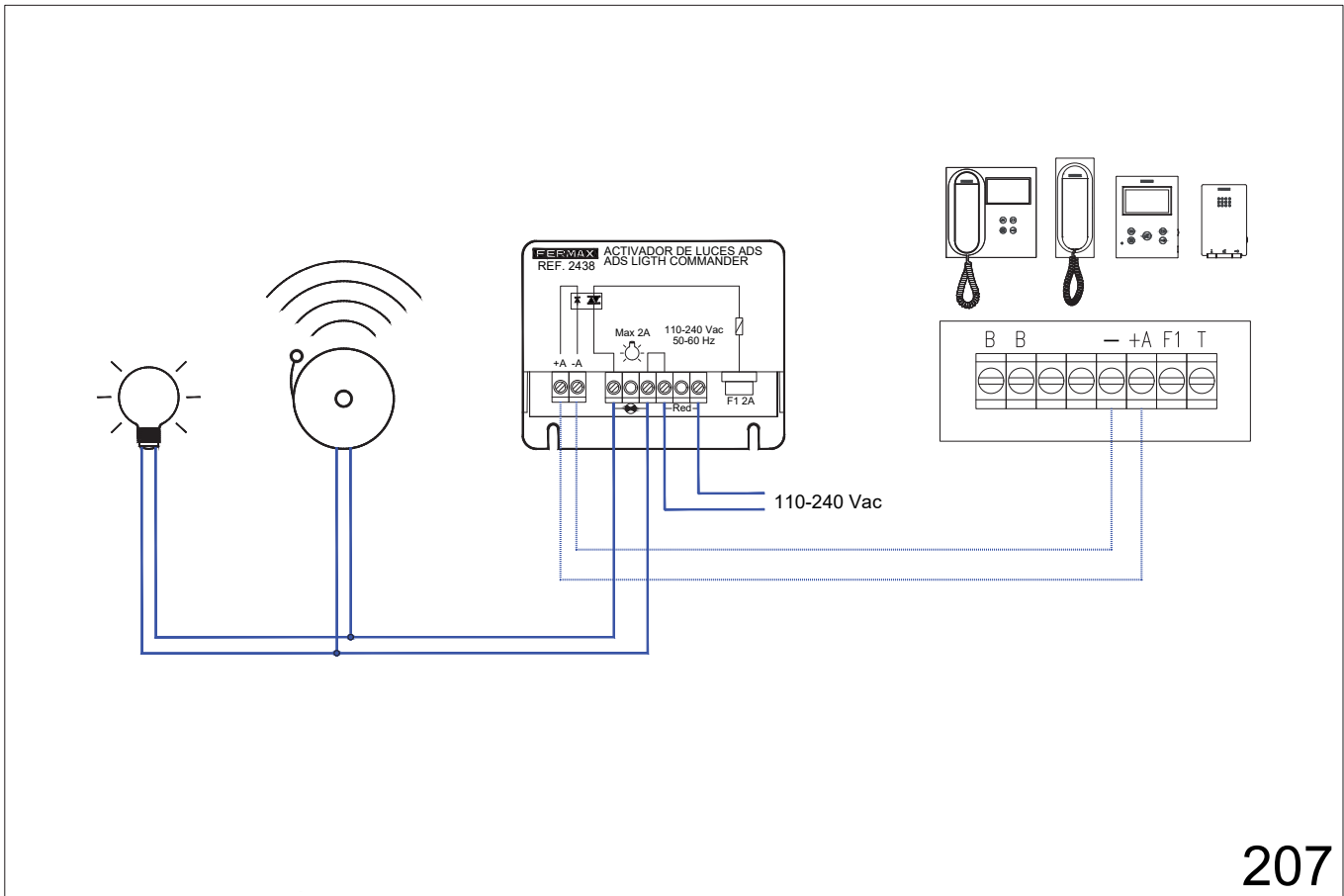
2 LineS Kit

102B - WIRING DIAGRAM.



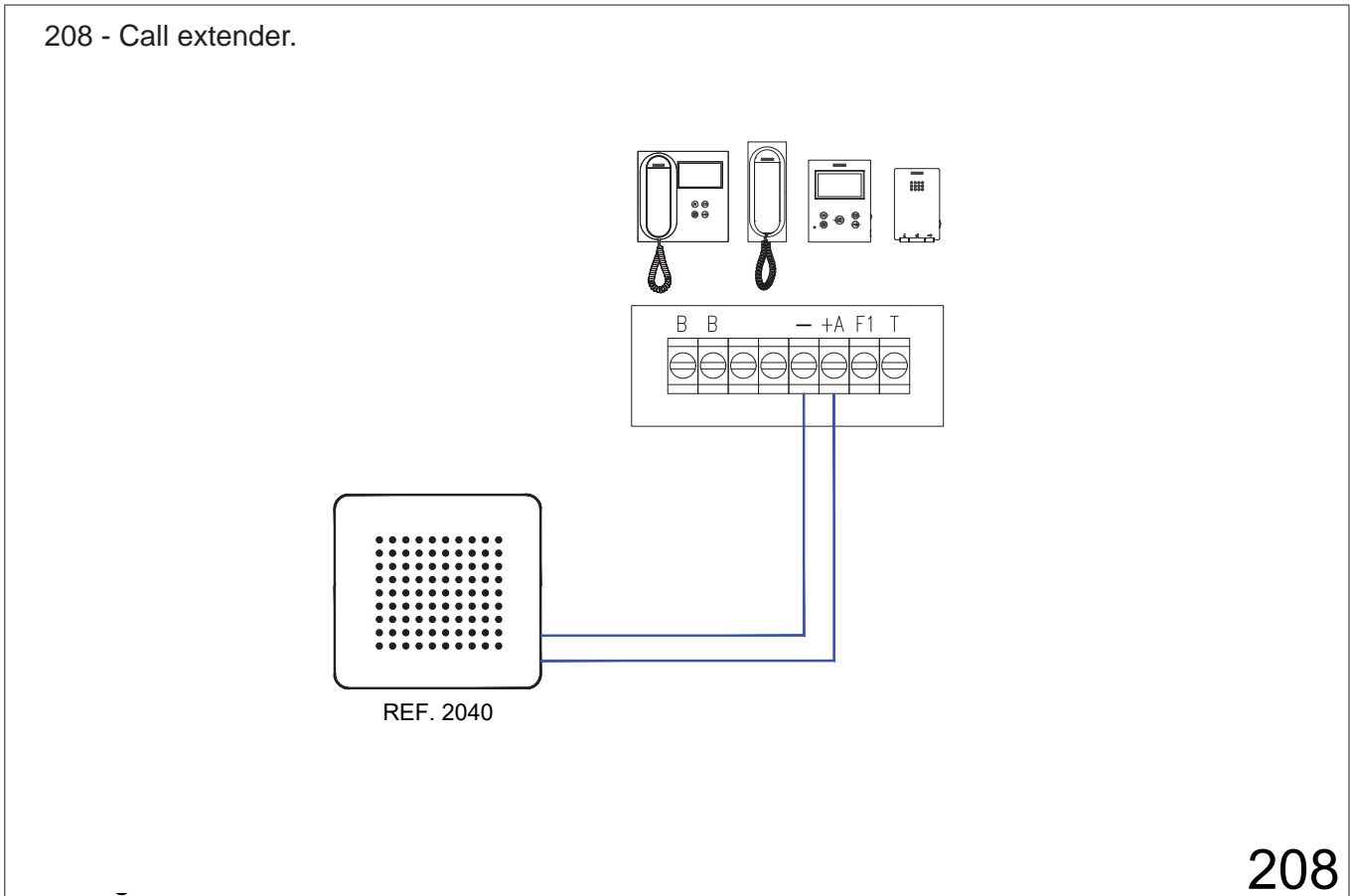
2.4 EXTENSIONS AND ACCESSORIES

207 - Light and buzzer commander.



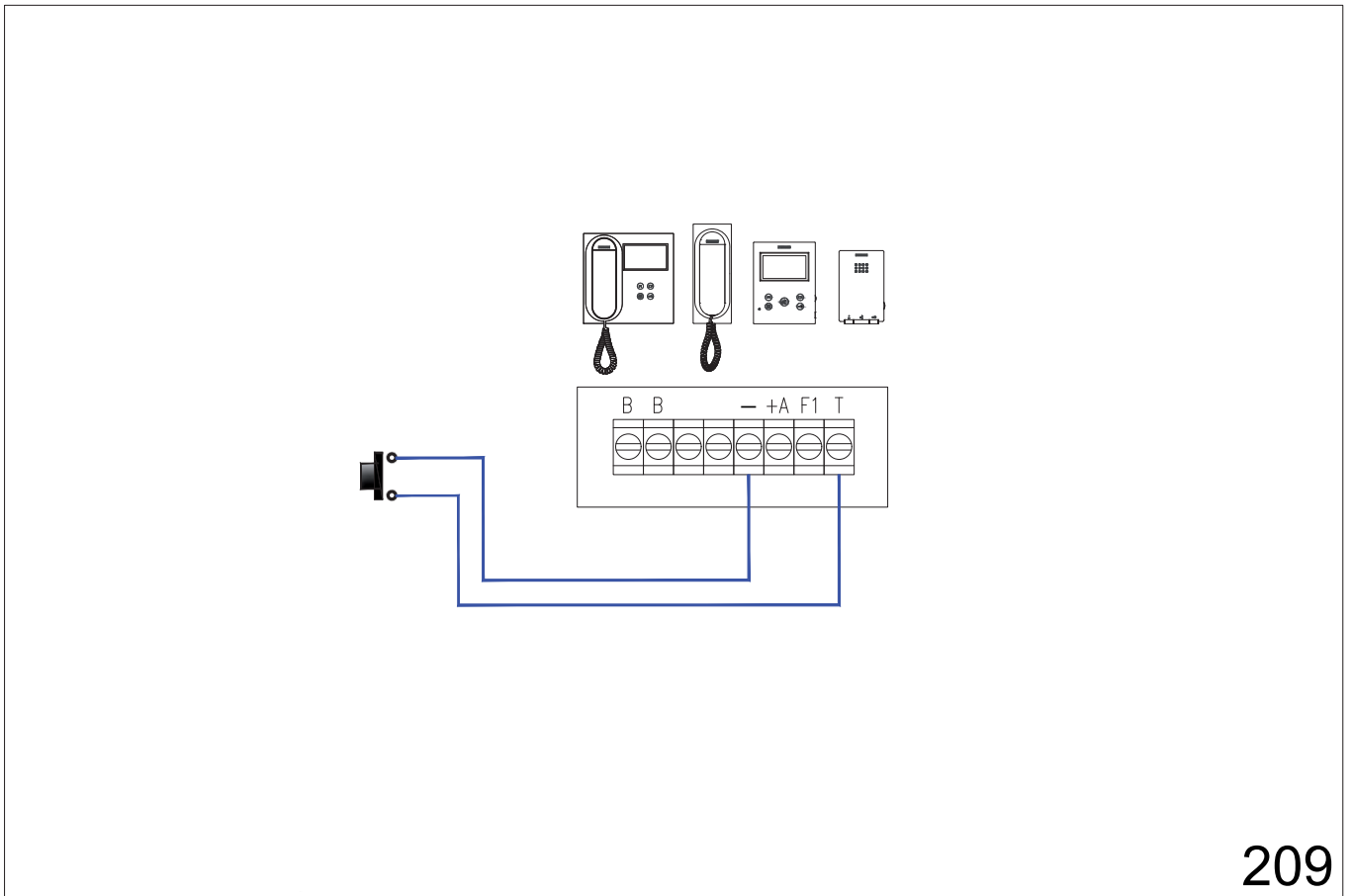
207

208 - Call extender.



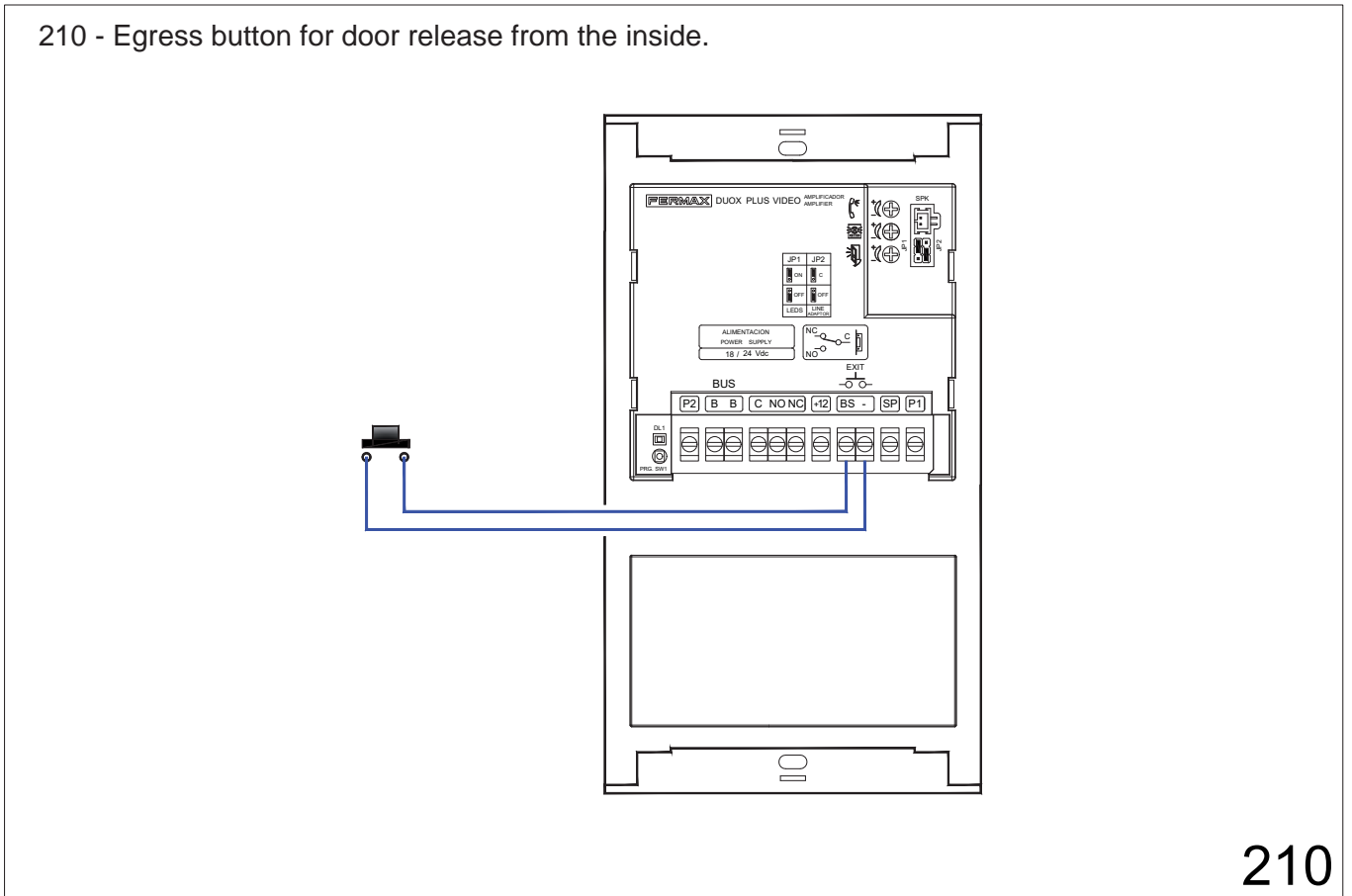
208

209 - Additional apartment door bell pushbutton.



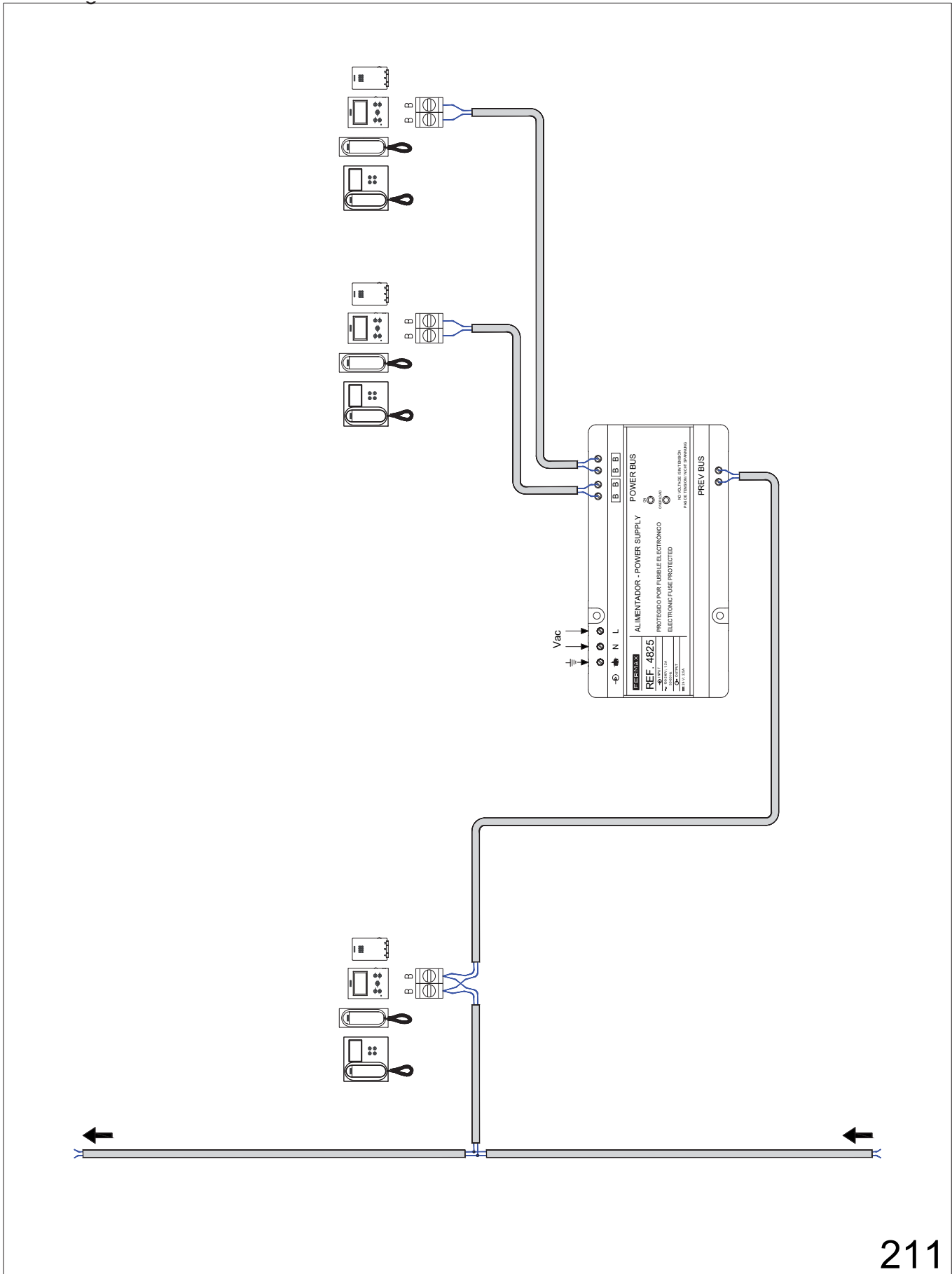
209

210 - Egress button for door release from the inside.



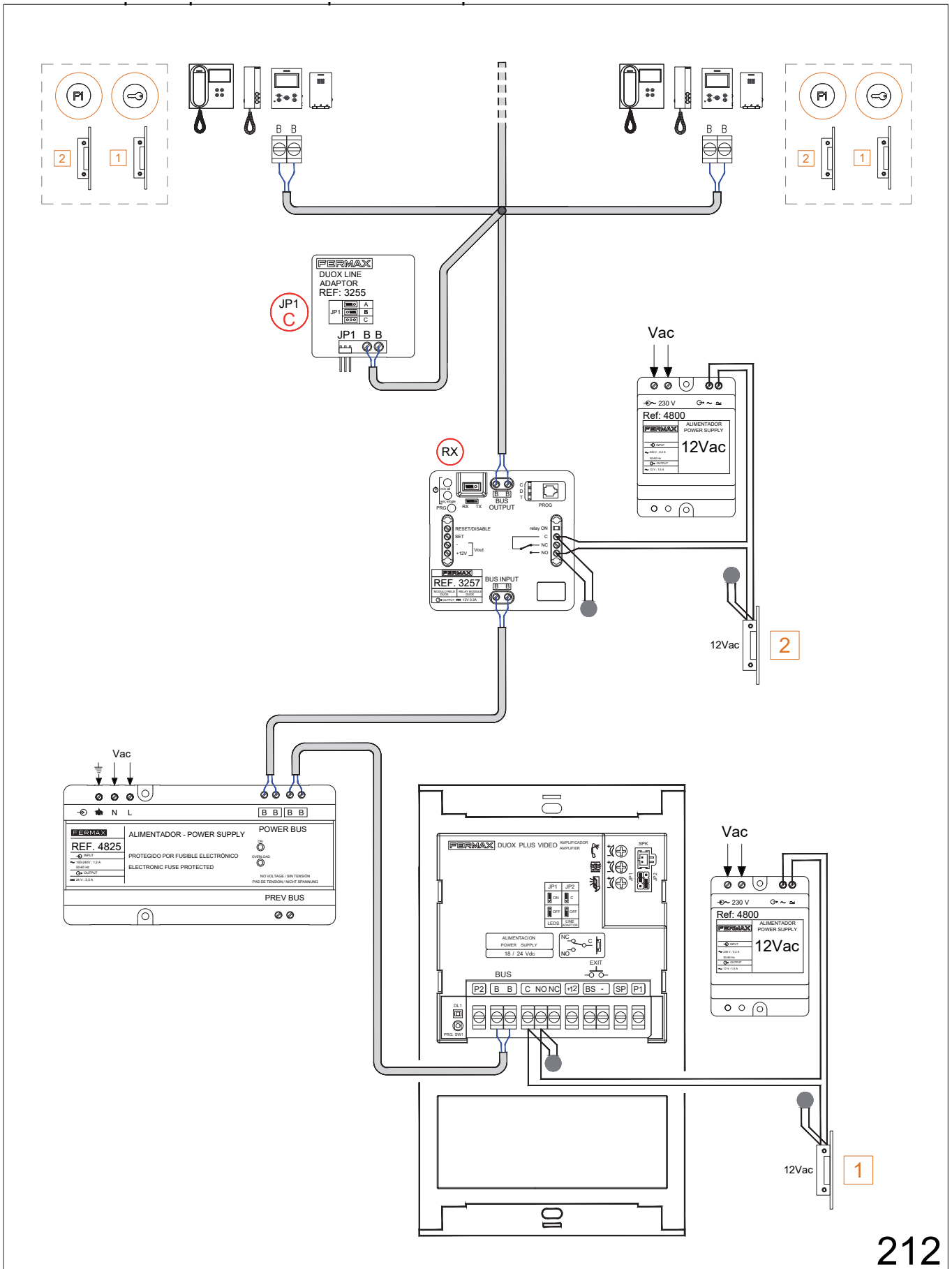
210

211 - Extension of 2 apartment terminals with power supply set.



211

212 - DUOX PLUS relay for the release of a 2nd door (outdoor panel with alternative lock release).





Avd. Tres Cruces, 133

46017 Valencia

España