

TT Lock



TT Lock Mobile App



Bluetooth LE



Numeric code



Mifare card

Please read this user manual carefully before operation!

Important Tips

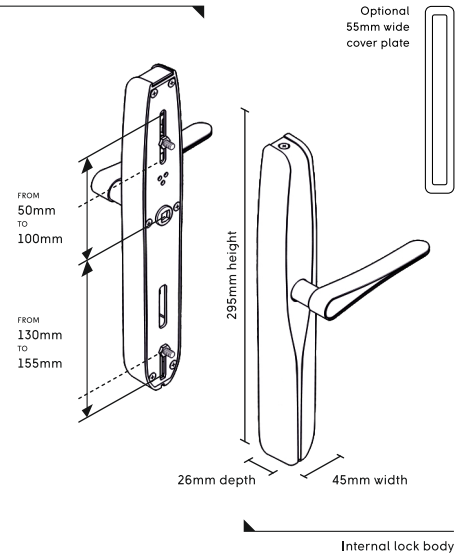
The user information database is empty when the lock is in factory default state.

Insert the batteries correctly and replace them with new batteries as soon as possible, when low voltage alarm is on.

Keep the mechanical keys in safe place (not at home) in case of any emergency.

Structure and dimensions

External lock body



Optional 55mm wide cover plate

Internal lock body

Introduction

DOWNLOAD AND ACTIVATE THE APP

The lock can be operated using the TT Lock App available for Android and iOS. The first step is to download and activate the App.



Download the Android App
GET IT ON Google Play



Download the iOS App
Download on the App Store

OPERATION MODES

Bluetooth

You can open the door via Bluetooth using the Android or iOS App.

Ekey

You can send ekeys with validity period to be used by anyone you want.

Passcodes

You can open the door using numeric passcodes for different needs.

IC Cards

You can define IC Cards to be used only by a simple swipe on the lock.

Lock operation

ADD LOCK

- Press the button on the upper left corner of the App
- Press "Add lock"
- Select the right type of lock
- Touch the keypad to activate the lock
- Press the "+" sign on the App and follow the instructions

ADD EKEY USER

- Press "Send Ekey" on the App
- Follow the steps to generate and share user passcodes

ADD USER PASSCODE

- Press "Generate password" on the App
- Follow the steps to generate and share user passcodes

ADD IC CARDS

- Press "IC Cards" on the App
- Follow the steps to generate and share cards

Misc

LOCKING

Loqness TT Lock automatically locks after 5 seconds. (Except for the passage mode)

LOW POWER WARNING

If the battery is low, the keypad will light up and flash for a second when it is activated. Meanwhile the lock gives you a voice prompt "Battery is low, please replace".

KEYPAD LOCKUP

The keypad will be disabled for 5 minutes after 5 consecutive trials of wrong passcode that consist of more than 4 digits. Meanwhile the lock will give you a voice prompt: "Unauthorized operation, the system is locked"

Product functions



Open by app



Open by card



Open by mechanical key



Reversible handle



Illuminated keypad



Low voltage alarm



Voice guidance



Anti-peeping code



Open by code



Free pass mode



Automatic lock (5 sec.)



Wrong code entry alarm



Automatic single point lock



Multipoint lock by lifting the handle



Download the Android App



Download the iOS App



Technical specifications

Material

Zinc alloy

Finishes and colors

Silver, black pannels

Door thickness

30-120mm

Dimensions (HxWxD)

295x45x26mm

Stand by Power Consumption

<70uA

Operating Power Consumption

<200mA

Battery Power Supply

4xAA R6 1.5v, alkaline

Battery life

> 5000 cycles

IP Rating

IP64

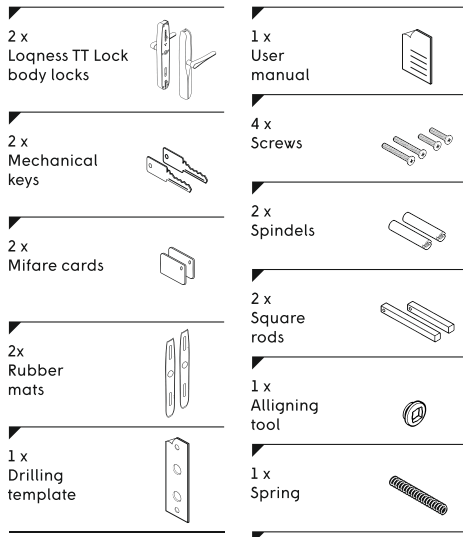
Working Temperature

-25~-+55

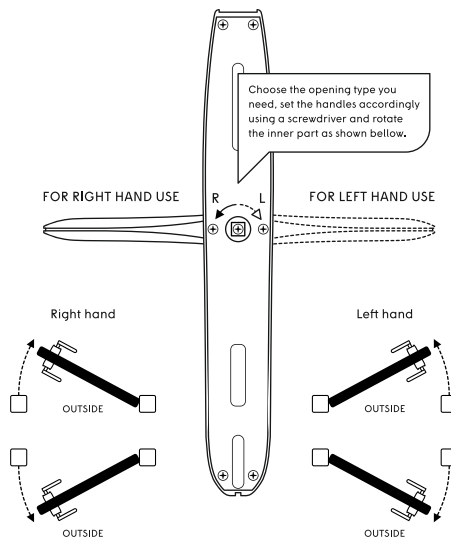
Working Humidity

10%-90%

The package includes



Opening types

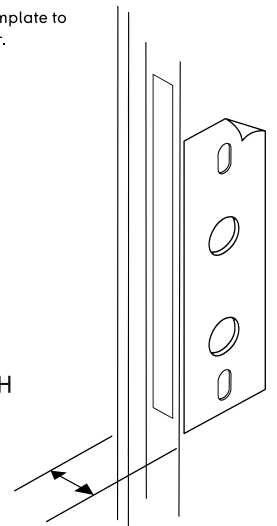


Drilling template

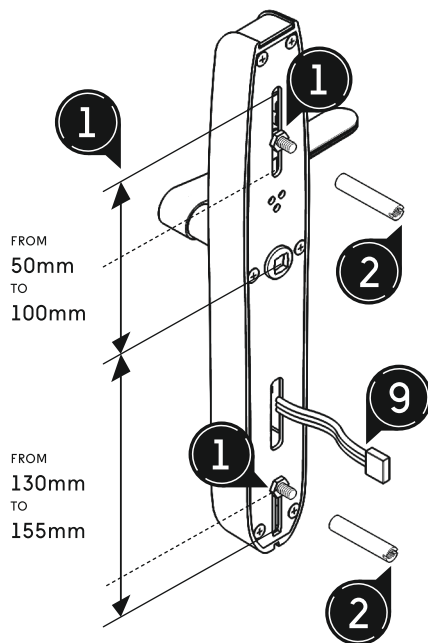
Use the drilling template to prepare your door.

DOOR DEPTH

FROM
35mm
TO
95mm



10 easy steps to install the Loqness TT Lock



1 Choose the dimension you need and move the screw in the position.

2 Mount the spindles. Only by hand!

3 Insert the square rod.

4 Mount the in room door plate.

5 Align the door plate using the alligning tool in the pack.

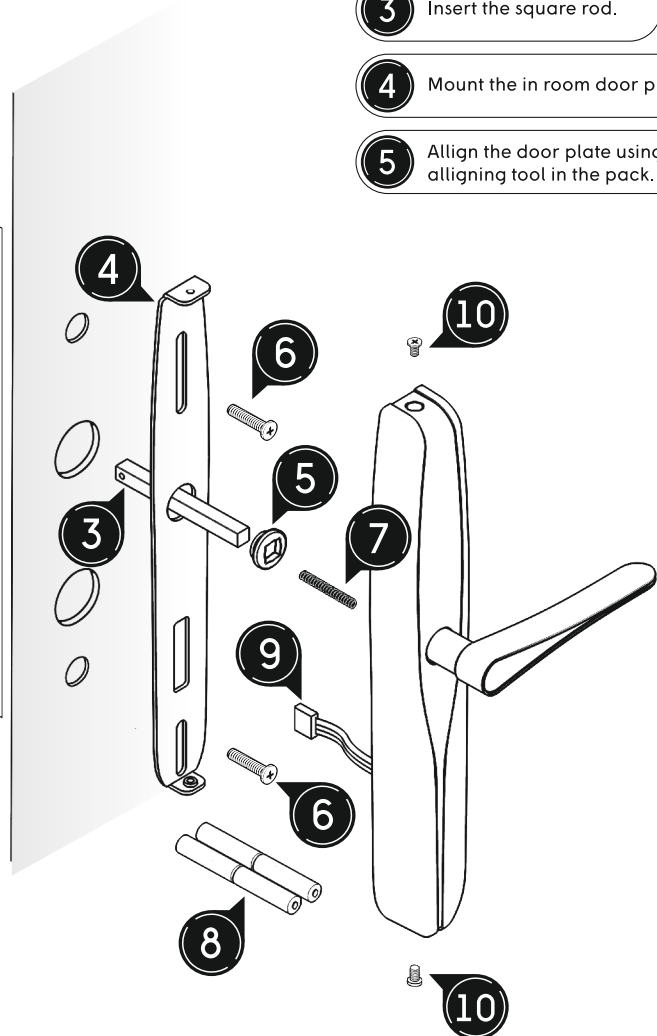
6 Fix the door plate using the screws.

7 Insert the spring into the handle.

8 Insert the batteries.

9 Connect the wires.

10 Mount and fix the body lock on the door plate using the screws.



Before completing the installation, please check the operation via mechanical key.