

HORN TURNSTILE CENTURION

Centurion - the most popular tripod. It takes minimum space and gives maximum efficiency. Fast response servo drive and quick actuation will eliminate queues at the entrance. In case of emergency, drop arm mechanism efficiently enables free passage (within 3 seconds).

Stainless steel will fit any interior (powder coated version available).

Enclosure allows installation of turnstiles, even outdoors, without additional canopy.

Electromechanical antipanic function (for prevention and elimination of public panic in an emergency case in buildings by providing the fail safe way through the turnstile manually).



OUR MOST POPULAR MODEL: THOUSANDS OF TURNSTILES

IN DIFFERENT GENERATIONS WERE SOLD ROUND THE WORLD

Controlled by:

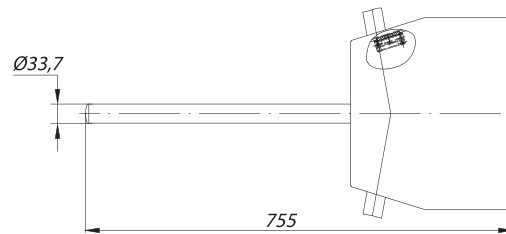
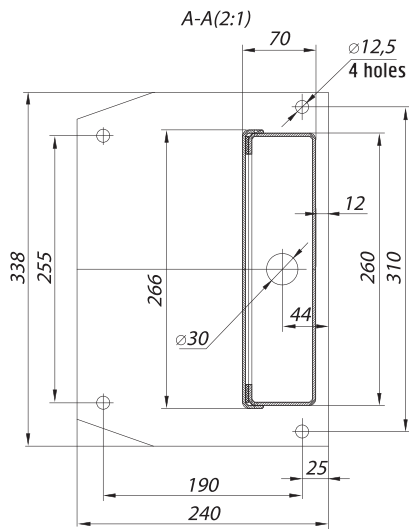
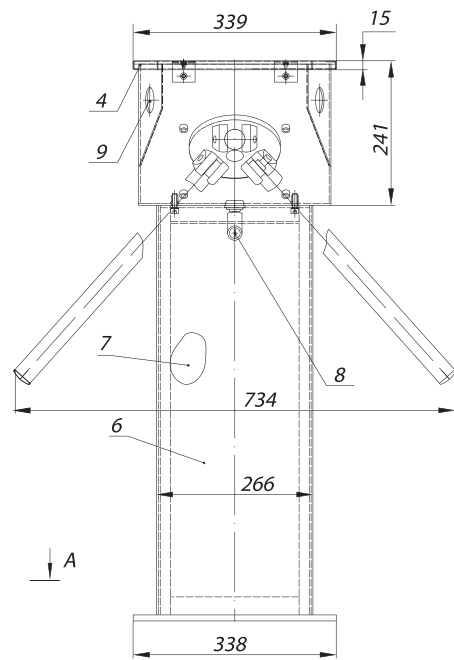
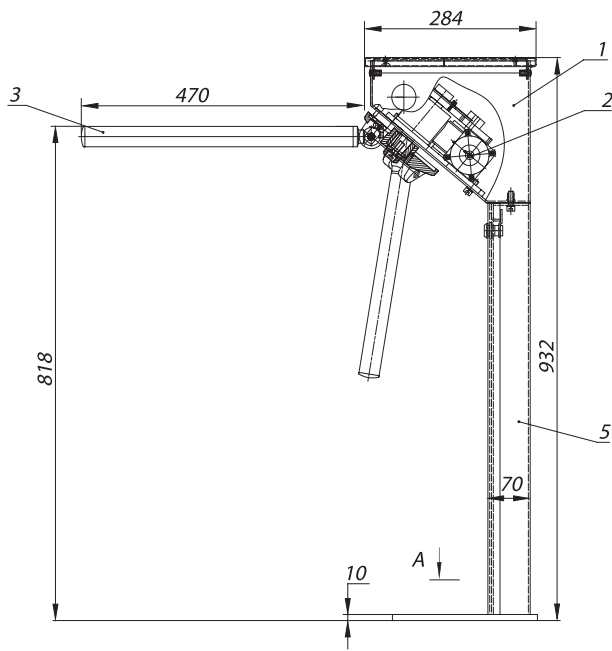
- access control system;
 - manual control
- When power goes OFF both directions are free

Electrical Specifications:

- Voltage:
 - from the AC (100-240)V, 50/60Hz;
 - from a DC source 12 V
- Maximum power consumption 55 W per pass;
- Degree of protection according to GOST 14254-96 - IP41

Technical Specifications:

Length	755 mm
Width	734 mm
Height	932 mm
Weight, not more	40 kg



- 1 - housing;
- 2 - servomotor;
- 3 - barrier rod;
- 4 - housing cover;
- 5 - post;

- 6 - post cover;
- 7 - control panel;
- 8 - lock;
- 9 - LED display



References

- Call-center, Tirana, Albania;
- Prosecutor General's Office in Baku, Azerbaijan;
- European forum Congress, Warsaw, Poland;
- "Orange" HQ, Chisinau, Moldova;
- Khartoum business centre, Sudan