

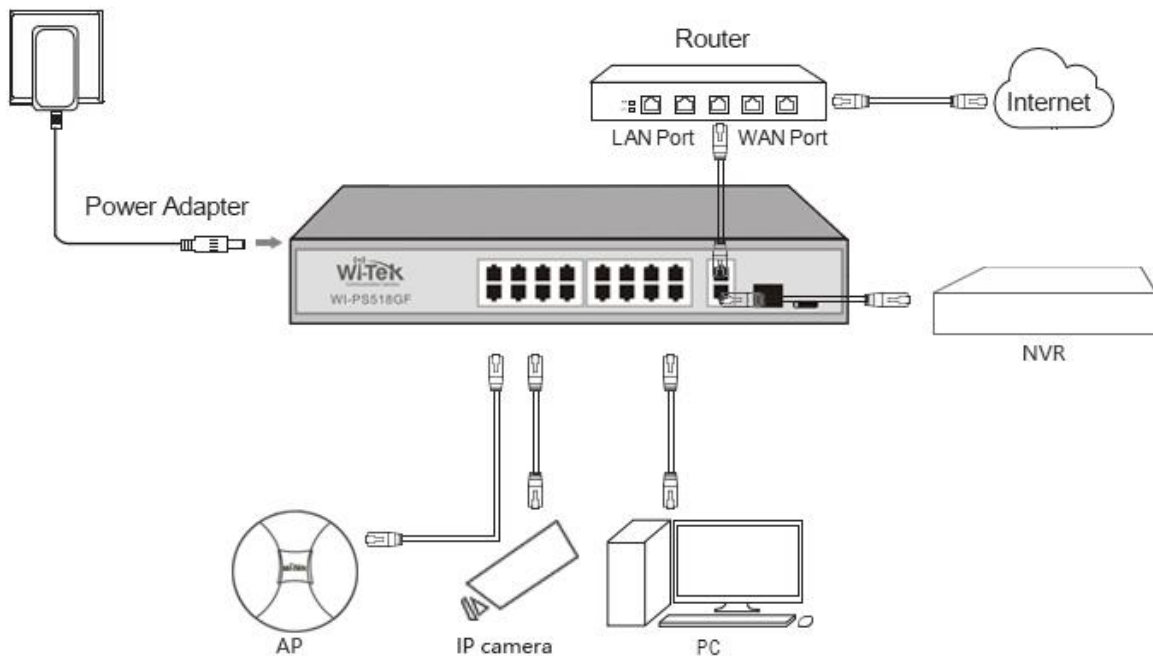


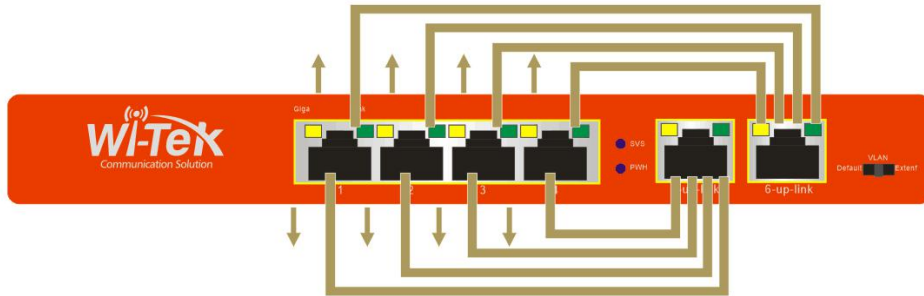
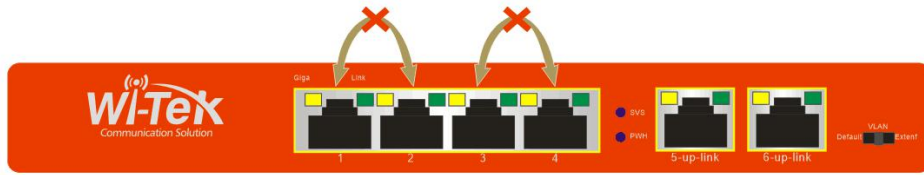
**WI-PS320GF**  
**16GE+2Combo 48V Ports PoE Switch**  
**with 16-Port PoE**  
**Data sheet**

## Highlights

- 16GE+2Combo SFP uplink Full Gigabit Switch with 16 PoE ports
- Supports PoE power up to 30W for each port
- Supports PoE IEEE 802.3af/at compliant PDs
- Internal power adapter supply 350W output power
- Support Port VLAN(port isolation) mode
- LED indicators for LINK/ACT, Power, PoE Status, 100/1000Mbps
- 8K entry MAC address table with auto-learning and auto-aging

## Typical Applications





## Description

### What This Product Does

16GE+2Combo Port Gigabit Switch with 16-Port PoE provides the seamless network connection. It integrates 1000Mbps Gigabit Ethernet and 10/100Mbps Fast Ethernet network capabilities.

### How This Product Works

16 Auto-Negotiation RJ45 ports (port-1 to port-16) of the switch support Power over Ethernet (PoE) function. These PoE ports can automatically detect and supply power with those IEEE 802.3af/at compliant Powered Devices (PDs). In this situation, the electrical power is transmitted along with data in one single cable allowing you to expand your network where there are no power lines or outlets, where you wish to fix devices such as APs, IP Cameras or IP Phones, etc.

### Easy To Use

WI-PS320GF is easy to install and use. It requires no configuration and installation. With outstanding performance and quality, the WI-PS320GF 16GE+2SCombo Port Gigabit Switch with 16-Port PoE is a great selection for expanding your home or office network.

## Specification

HARDWARE FEATURES	
<b>Interface</b>	16 1000M POE Ports 2 1000M Combo SFP Uplink Ports

## HARDWARE FEATURES

<b>Network Media</b>	<p>10Base-T: Pair 2 Category 3(Cat3) and above UTP/STP(≤100m)</p> <p>100Base -TX: Pair 2 Category 5(Cat5) and above UTP/STP(≤100m)</p> <p>1000Base-T: Pair 4 Category 5(Cat5e) and above UTP/STP(≤100m)</p> <p>1000Base-SX:62.5μm/50μm MMF(2m~550m)</p> <p>1000Base-L X:62.5μm/50μm MM(2m~550m) or 10μm SMF(2m~5000m)</p>
<b>Fan Quantity</b>	2 Fan
<b>Power Budget</b>	350W
<b>Internal Power Supply</b>	AC 110~240V 50/60HZ
<b>PoE Ports (RJ45)</b>	<p>Standard: 802.3 af/at compliant</p> <p>PoE Ports: Port1- Port16</p> <p>Power Supply: 350W</p>
<b>Exchange Capacity</b>	36G
<b>Mac Address Table</b>	8K
<b>Packet Forwarding</b>	26.8Mbps

HARDWARE FEATURES	
<b>Rate</b>	
<b>Buffer</b>	4Mb
<b>Jumbo Frame</b>	10240Bytes
<b>Dimensions</b>	Product Size: 295mm*195mm*45mm (L*W*H)

SOFTWARE FEATURES	
<b>Transmission Method</b>	Store-And-Forward
<b>Advanced Functions</b>	Priority Function Mac Address Auto-Learning And Auto-Aging Store and forward IEEE 802.3x flow control for Full-duplex Mode Backpressure for Half-duplex Mode

OTHERS	
<b>Certification</b>	CE, FCC, RoHS
<b>Package Contents</b>	POE Switch Electric Line

	Guide Book/Warranty Card
<b>Environment</b>	<p>Working Temperature: -10°C ~ 55°C</p> <p>Storage temperature : -40°C ~ 70°C</p> <p>Working Humidity : 10% ~ 90% RH non-condensing</p> <p>Storage Humidity: 5% ~ 90% RH non- condensing</p>