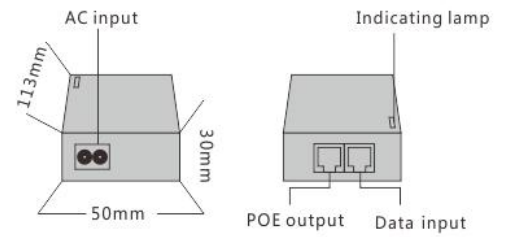




WI-POE51-48V
48V Gigabit PoE Injector
Data sheet

Highlights

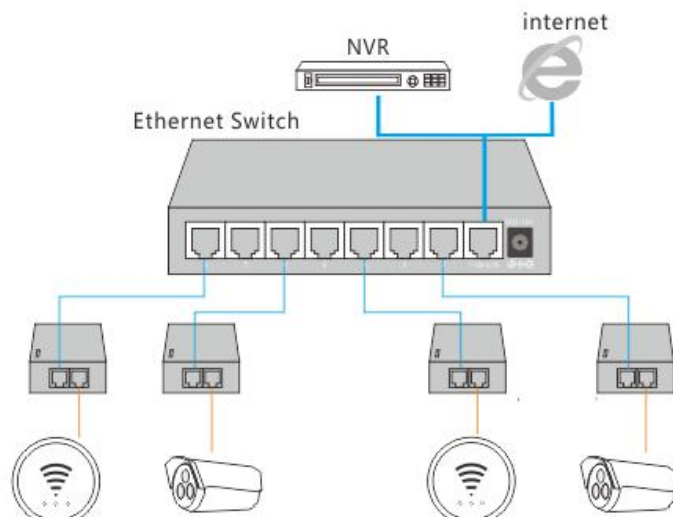
- 2*1000Mbps RJ45 Ports with 1 PoE
- IEEE 802.3af/at compliant
- Delivers power up to 100 meters
- Auto-determine the necessary power requirements
- Plug-and-Play, requires no configuration
- External power adapter supply



Product



Typical Applications



Description

what this product does

The PoE Injector WI-POE51 fully complies with IEEE 802.3af/at standard, and can work with all IEEE 802.3af/at PoE compliant PDs (Powered Devices) or PoE Splitter, or other equivalent product, to expand your network to where there are no power line or outlet, where you wish to fix device such as AP, IP Camera or IP Phone, etc..

Specifications

HARDWARE FEATURES	
Interface	2 100/1000Mbps RJ45 Ports
Network Media	10BASE-T: UTP category 3, 4, 5 cable (Max 100m) EIA/TIA-568 100Ω STP (Max 100m) 100BASE-TX: UTP category 5, 5e cable (Max 100m) EIA/TIA-568 100Ω STP (Max 100m) 1000BASE-T: UTP category 5, 5e, 6 cable (Max 100m)
Fan Quantity	Fanless
PoE PIN	1,2+ 3,6-
PoE Consumption	48V 30W
LED Indicator	PWR

HARDWARE FEATURES

Dimensions (W x D x H)	113*50*30 mm
Backbound Bandwidth	2Gbps

SOFTWARE FEATURES

Transmission Method	Store-And-Forward
Advanced Functions	Priority Function Mac Address Auto-Learning And Auto-Aging Store and forward IEEE 802.3x flow control for Full-duplex Mode Backpressure for Half-duplex Mode

OTHERS

Certification	CE, FCC, RoHS
Package Contents	POE Injector Electric Line Guide Book/Warranty Card
Environment	Operating Temperature: -10°C~55°C