



Description

The SWF1000 Wireless Optical Smoke Detector is a fully intelligent device which is compatible with all of the Teledata Wireless Translator and Expander Modules. The Teledata range of wireless detectors are third party approved to EN54 and utilise the latest cutting edge technologies and features.

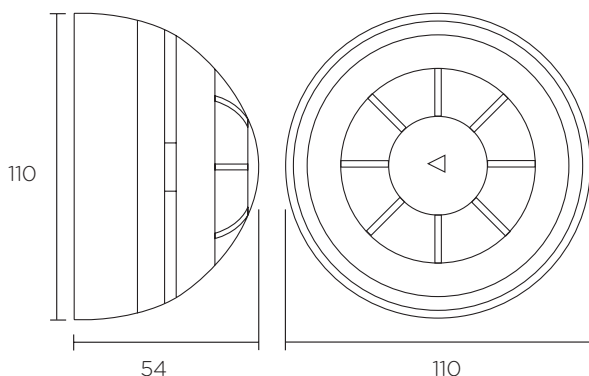
The device is capable of being configured on site and its patented chamber assists with the control of unwanted alarms. The well proven adaptive radio signal processing algorithms ensure the highest levels of life safety and system reliability.



Key features

- > Adjustable sensitivity - low, normal or high
- > Fully intelligent
- > 3rd party approval to EN54-7 and EN54-25
- > 5 year expected battery life
- > Bi-directional wireless communication
- > Utilises standard low cost lithium battery technology
- > 5 year product warranty
- > Patented design of smoke inlet to optical chamber
- > Colour options available

Technical information



Technical specification

Operating frequency range	868 - 870 MHz
Max radiated power	5dBm (3mW)
Radio signal modulation type	FSK
Operating frequency channels	7
Communication range with the Translator or Expander Module	≤ 150 m (in open space)
IP rating	42
Dimensions	110 mm x 54 mm
Weight (without batteries)	150g
Primary battery	CR123A (3 V & 1.2 Ah)
Secondary battery	CR2032A (3 V & 0.24 Ah)
Primary battery lifespan (typical)	≥ 5 years
Secondary battery lifespan (typical)	≥ 2 months
Operating Temperature	-10C to +55°C (no icing)

Standards & approvals

- > BS EN 54-7: Smoke Detectors - Point Detectors using scattered light, transmitted light or ionisation
- > BS EN 54-25: Components using radio links and system requirements

*Note: Approved range.
 Certified device performance may vary depending on the approval body.

Led indication

The device is equipped with a tri-colour LED (red/green/amber) that provides visual indication for functional conditions and battery levels as indicated in the sections below:

Operational status indications

Status	Amber LED	Green LED	Red LED
Switching in to operating mode	-	Short flashes	-
Switching in to programming mode	-	-	4 short flashes
Self-adjustment mode	-	-	1 Second On & 0.1 Second Off
Normal condition	-	-	-
Alarm condition	-	-	0.5 Second On & 0.5 Second Off
Program failure	-	-	On Constantly
Main battery fault	-	-	0.1 Second On & 5 Seconds Off
Secondary battery fault	-	0.1 Second On & 5 Seconds Off	-
Both batteries fault	-	-	Sequential bi-colour flashing
Loss of radio link with Translator/Expander	0.5 Second On & 2 Seconds Off	-	-

Communication quality assessment

It is possible to assess the wireless communication quality between the device and translator or expander using the built in test facility. After successful programming of the device, changing the “Program” switch to the “ON” position will set the device into test mode and the LED will start blinking according to the table below:

Communication Quality (dB)	Level	Green LED	Red LED
No connection	Fail - 0 - No Connection	-	Two flashes
Link margin is less than 10 dB	Fail - 2 - Very Poor	-	One flash
Communication with link margin from 10 dB to 20 dB	Fail - 3 - Poor	One flash	
Robust communication with link margin over 20 dB	Pass - 4	Two flashes	

Note: The “program” switch must be returned to the 1 position for normal device operation