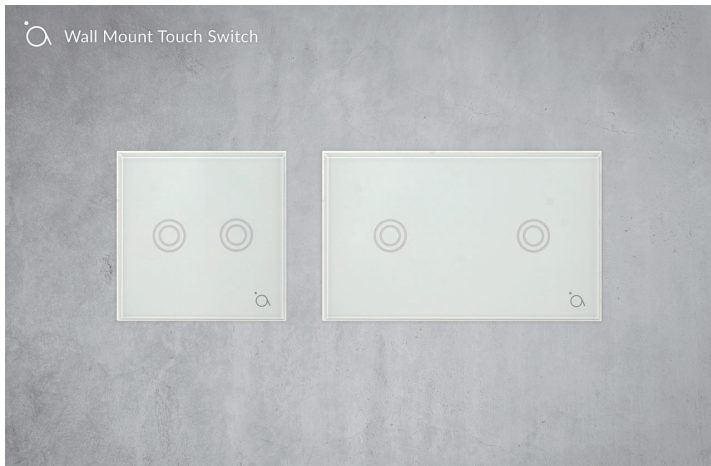




SA-105 Dual Touch Dual Relay Wall Switch Z-wave Plus

- Z-Wave Plus
- Up to max 2500W Resistive Load
- Overload Protection
- On/Off Control Scheduling
- Act as Z-wave Repeater automatically
- Longer Z-wave signal transmission
- Elegant design

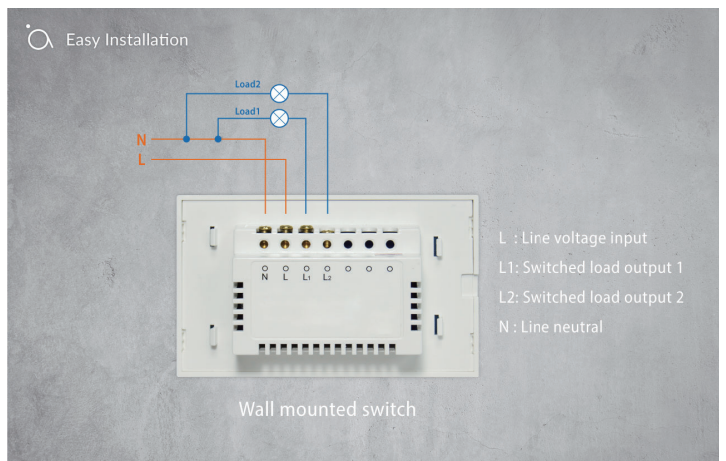


Wall Mount Touch Switch

The Airlive SA-105 is a Dual Touch Dual Relay Wall Switch with Z-Wave Plus technology it's a switching device which can replace your existing light switch. When you replace your old light switch with the SA-105 it will allow you to control your light or other devices via the AirLive SmartLife Plus app but also set scenes macros to automate your home. Touch control will give your home a more modern look.

Easy Installation

Replacing your old light switch the Airlive SA-105 Z-Wave Light switch is easy. You just have to remove your old switch and install the SA-105 but please be noted you need a neutral line to make the switch work.





Voice Control your Light

Use multiple Wall switches around your house and make scenes in the Airlive SmartLife Plus APP. Turn on one light or make a scene to turn on/off all your lights. You can even control them by Voice with Amazon Alexa and Google Home/Assistant.

Specifications

Model	SA-105 Dual Touch Dual Relay Wall Switch
Z-Wave Standard	Z-wave plus
Z-Wave Frequency	CE : 868.40 MHz, 869.85 MHz
	FCC : 904.8MHz, 916.00MHz
Maximum transmission distance	40m (Indoor), 100m (outdoor)
Supply Voltage	90 ~ 240 VAC
Maximum Output Current	16A (Resistive Load)
Maximum Output Power	2500W
LED Indicator	2 x LED Blue/Pink (one per paddle)
Panel	1mm Single Crystal Tempered Glass

Dimension and Environment

Dimensions	EU : 86 (L) x 86(W) x 34(H) mm
Operating Temperature	US : 120 (L) x 74 (W) x 37(H) mm
	0 ~ 40° C
Humidity	10% ~ 95%

Ordering Information

Model	SA-105 Dual Touch Dual Relay Wall Switch, Z-wave Plus
-------	---

Standard Package

Package Size	cm
Product Weight	kg
Package Weight	kg
Package Content	SA-105 * 1