

- Self Contained Supply
- Deep Discharge Battery Protection
- Switch Mode Technology
- Single-pole Volt Free Changeover Fault Relay
- Power and Fault Indications



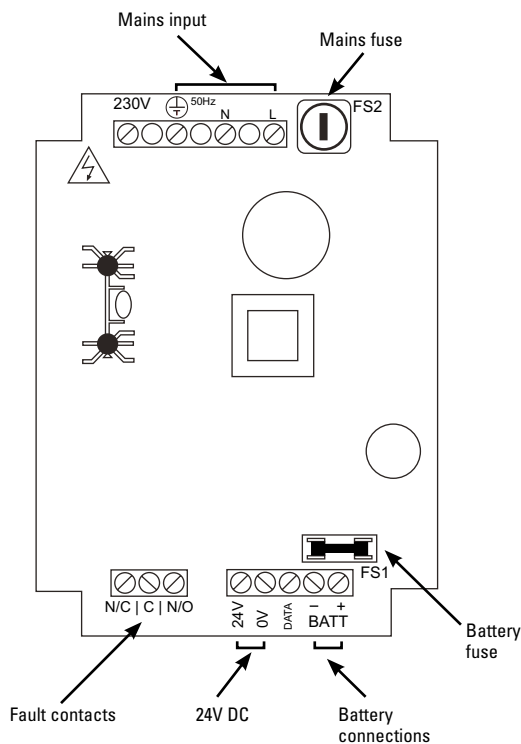
The Protec 9000/BC1 is a 24V dc 1A intelligent power supply and battery charger designed to be used in conjunction with two 12V 3.3Ah Sealed Lead Acid batteries. The charger continuously monitors various critical levels and gives a fault warning if any of the levels are out of specified limits.

A 12V 1A power supply is also available in the same enclosure. (normally used with Redcare systems) Stockcode: N 67-155-76.

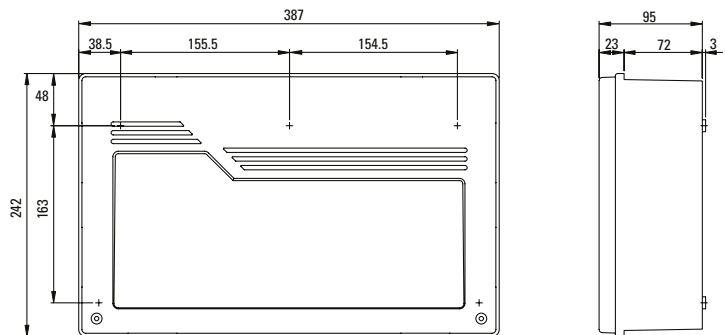
# Technical Specification

<b>Mains Input Voltage</b>	230V ac +/- 10%
<b>Mains Supply Frequency</b>	40Hz to 70Hz
<b>Mains Input Current</b>	400mA maximum (fused at 1A HRC 20mm x 5mm)
<b>Output Load</b>	1 output rated at 1A (including battery charge current)
<b>Output Voltage</b>	25 – 29V dc with mains present. Battery voltage when mains failed
<b>Output Ripple</b>	300mV maximum peak to peak at full output load
<b>Battery Charge Voltage</b>	27.3V dc at 20°C, temperature compensated at –40 mV/°C
<b>Battery Charge Current</b>	250mA nominal
<b>Maximum Battery Internal Resistance</b>	2 Ohms
<b>Battery Fault Levels</b>	Undervoltage - 22V dc (fault relay operates). Overvoltage - 28.5V dc (fault relay operates)
<b>Battery Low Voltage Cutoff</b>	18.5V dc (load removed from batteries)
<b>Battery Monitoring</b>	Compliant with EN54 Part 4
<b>Current Consumption From Batteries</b>	3mA maximum 30 seconds after mains failure From Batteries 0.5mA maximum when low volt disconnect active
<b>Maximum Battery Capacity</b>	12V 3.3Ah (two connected in series)
<b>Battery Fuze Rating</b>	1.6A (fast acting 20mm x 5mm)
<b>Environment</b>	0-50°C ambient (95% R.H non-condensing)
<b>Fault output</b>	Changeover contacts rated at 1A 30V dc.
<b>Enclosure</b>	ABS Plastic. 4 or 3 point fixing

## Connection Details



## Dimensions (mm)



Company Policy is one of continuous improvement, we reserve the right to change specification without prior notice

**Protec Fire Detection Plc, Protec House, Churchill Way, Nelson, Lancashire, BB9 6RT**

**Tel: 01282 717171 Fax: 01282 717273 Web: www.protec.co.uk Email: sales@protec.co.uk**