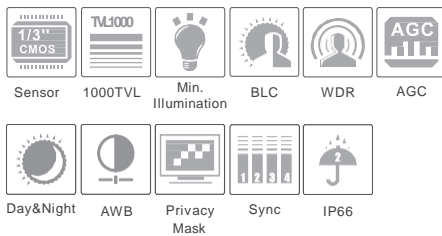




# NGC-7521

20x1080P Network PTZ Speed Dome Camera

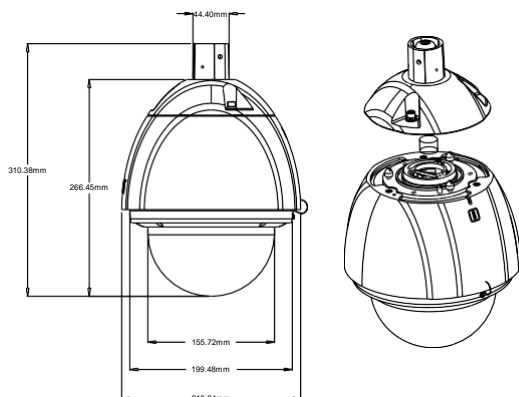
## 20X 1080P Network PTZ Speed Dome camera



### Features

- 1/3" Progressive Scan CMOS, 20X optical zoom
- HD Network Video Output:  
1920x1080@25fps (PAL)/30fps (NTSC)
- H.264 image compression format
- TCP/IP, UDP, DHCP, DDNS, NTP, RTSP, SMTP, FTP, PPPoE
- SD card local storage, network remote storage
- Web GUI Menu
- A selected rectangular area can be enlarged
- Provide standard SDK, easy to integrate with other digital system
- CVBS Video Output: 1 CH CVBS
- IP66 Weather-proof: 4 KV lightning protection, surge protection

### Dimensions



### Specification

Model	NGC-7521
<b>Specifications</b>	
<b>Camera</b>	
Image Sensor	1/3" Inch Progressive CMOS
Effective Pixels	1920(H)×1080(V) 2Mega
Horizontal Resolution	1000TVL
Min. Illumination	0.5Lux(Day), 0.1Lux(Night), 0.05Lux(DSS ON)
White Balance	Auto / Manual
S/N Ratio	>50dB
Day/Night	Auto / Manual / Timing
Focus Mode	Auto / Manual
Lens	20X Zoom, f=4.7~94mm, F1.6~F3.5
<b>PTZ</b>	
Pan Range	360°endless rotation
Pan Speed	Preset Speed: 400°/s; Manual Control Speed: 0.5~80°/s
Tilt Range	0~90°(auto rotation)
Tilt Speed	Preset Speed: 400°/s; Manual Control Speed: 0.5~80°/s
<b>System</b>	
PTZ Control	Yes
Preset	255
Patrol	8
Trace	4
Time Task	8
Scan	2
Home Position Display	Yes
Auto Flip	Yes
Alarm Input	2 CH(NC/NO)
Alarm Output	1 CH
Alarm Linkage	Yes
<b>Network</b>	
Compression	H.264
Frame Rate	1~30FPS(25FPS)
Protocol	TCP/IP, UDP, DHCP, DDNS, NTP, RTSP, SMTP, FTP, PPPoE
Storage	SD card local storage, network remote storage
Smart Alarm	Motion Alarm, Sensor Alarm
Resolution	1920x1080, 1280x720, 640x480, 320x240, 160x120
Multi-stream	Yes
<b>Port</b>	
Network Interface	10Base-T/100Base-TX, RJ45
Audio	MIC input x 1, MIC input x1
Analog Output	CVBS
<b>Others</b>	
Control	RS485/Network
Power Supply	AC24V
Power Consumption	9W(max 24W, Heater on)
Working Environment	Temperature: -20°C~60°C; Humidity: less than 95%
Protection Level	IP66
Weight	5KG
Dimensions	Φ219.9mmx310.4mm