

NAV-NA102POE

PoE Injector (10/100/1000M/48V/30W)

DESCRIPTION:

This is a single-port PoE injector with one Ethernet port, one PoE output port, and one AC input power port. It supports end-span PoE and the output power consumption is up to 30W; It features:10/100M/1000Mbps network,100m transmission distance,6KV lightning protection, industrial-level chip, and patent alert. it's an excellent choice for power supply and network transmission on PTZ cameras, all-in-one PC, digital display system.

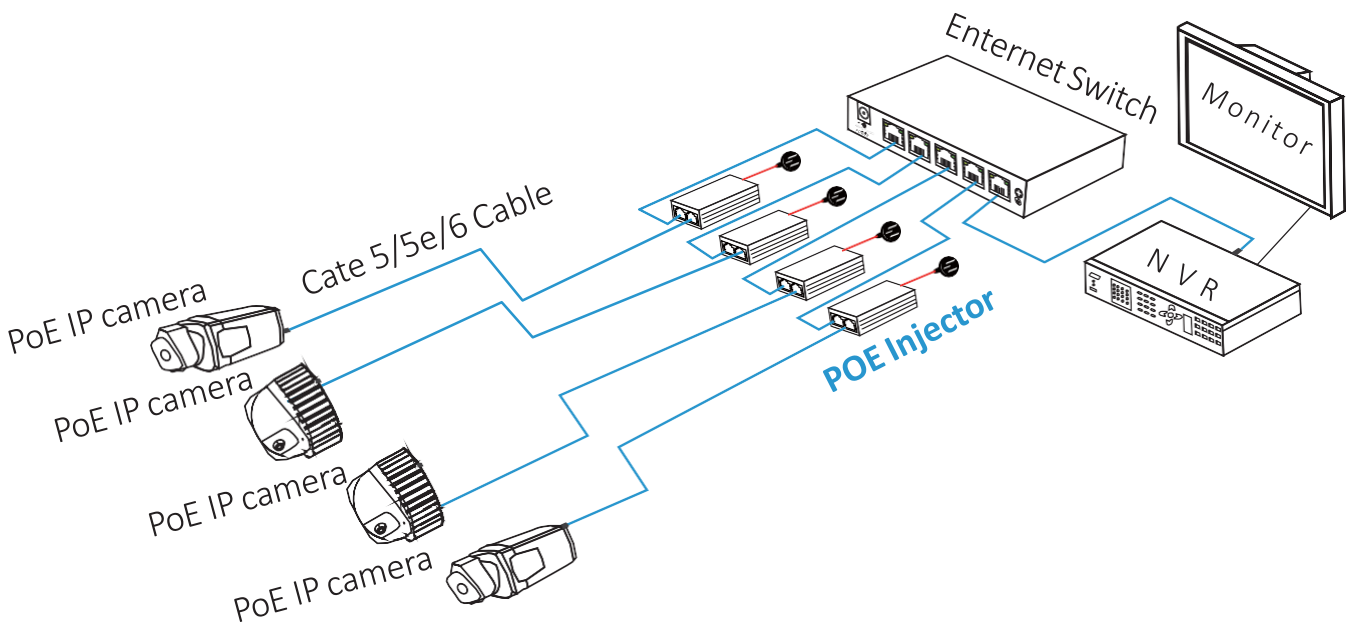


Wall-mounting



Splicing

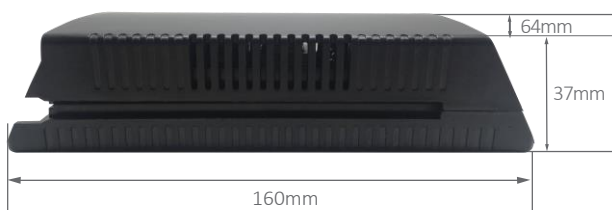
Application Example:



FEATURES:

- ◆ PoE Injector (Gigabit/30W);
- ◆ Max.output power 30W;
- ◆ 90% conversion rate;
- ◆ No-fan design;
- ◆ Easy Flexible Installation;
- ◆ Support IEEE 802.3af standard;
- ◆ Transmission distance up to 100 meters;
- ◆ Plug and play without management.

DIMENSION:



Item		Description
Interface	Input Voltage	AC100V~AC240V
	Data Input	1×RJ45
	PoE output	1×RJ45
PoE	PoE Power Supply Type	End-span
	PoE Power Output	DC 52V/30 watts
	Output Ripple	< 5%
	Power Pin Assignment	Pair : 1/2(+),3/6(-)
Ethernet Port	Communication Port	1×RJ45 Input
	TransmissionRate	10/100/1000Mbps
	Transmission Medium	Cat5/5e/6 Cable
	Distance	100m (Max.)
Status	Power LED	1 (Red)
	PoE LED	1 (Green)
Protection	Surge Protection	PoE Power : 1KV(Differential Mode), 2KV(Common Mode)1.2/50us , 8/20us
		Ethernet : 2KV(Differential Mode), 6KV(Common Mode)10/7000us
ESD	ESD	1a Contact Discharge Level 3
		1b Air Discharge Level 3
		Per: IEC61000-4-2
Environment	Working Temperature	-10°C~55°C
	Storage Temperature	-40°C~85°C
	Humidity(Non-condensing)	0~90%
Mechanics	Dimension(LxWxH)	160mm×64mm×37mm
	Material	ABS Plastics
	Color	Black
	Weight	170g