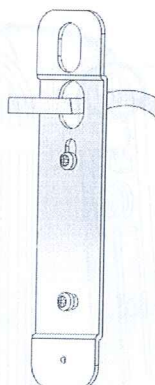
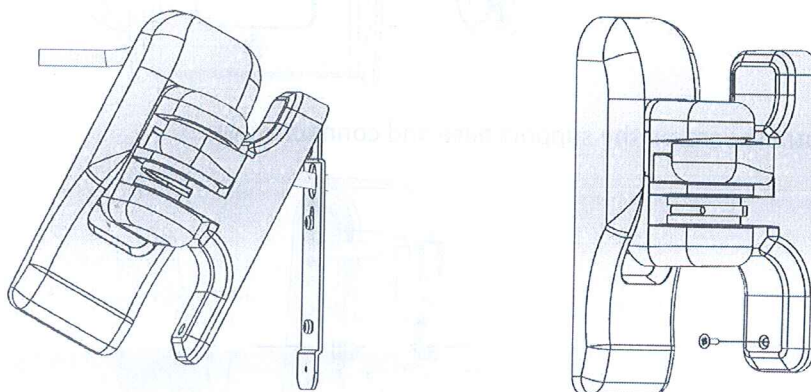


NAT BR

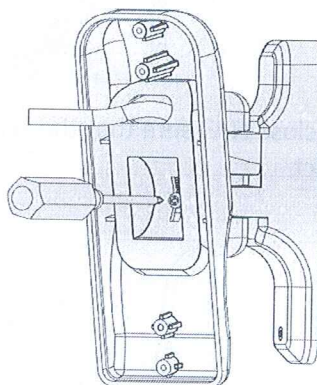
1. Insert the shielded cable alarm in the fixing plate



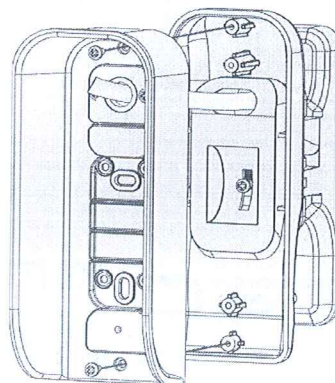
2. Pass the sensor cable together with the tamper through the joint
3. Place the joint by threading the upper hook and then tighten the lower screw as in the pictures



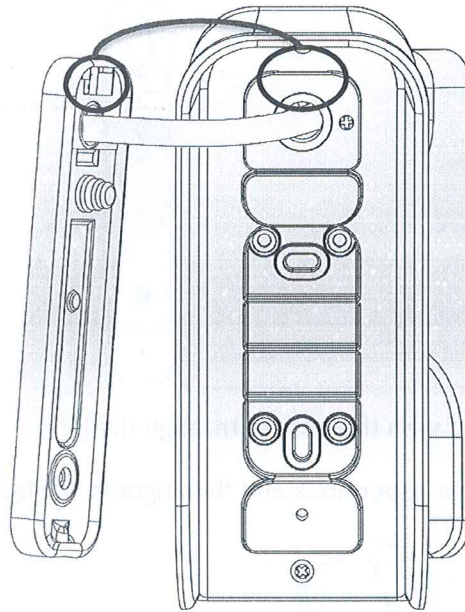
4. Adjust the tilt and secure with the central screw



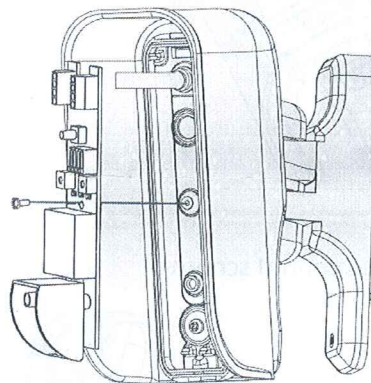
5. Insert the shielded cable alarm in the upper hole of the cap;



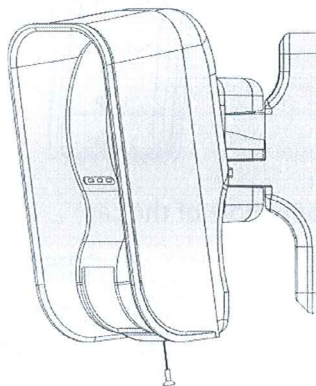
6. Drill hole in the rubber nut and slide inside the cable;
7. Insert the base hook in the top compartment of the cap and then screw the base on the cap with the lower screw;



8. Fix the NAT motherboard on the support base and connect wires;



9. After the wiring and operation test close NAT sure that the seals and the O-rings are present and not damaged to ensure the integrity of the product.



NAT BR WS

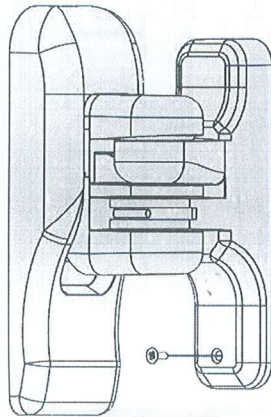
1. Fix the metal plate to the wall:



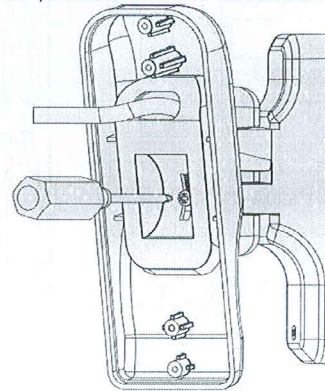
2. Place the joint by inserting the upper hook



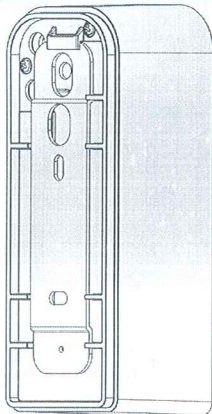
3. Tighten the lower screw as in the pictures



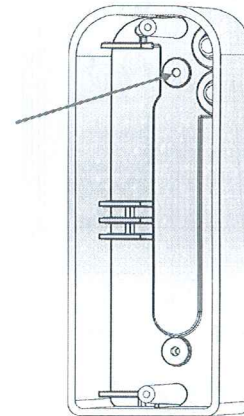
4. Adjust the vertical inclination (from 0 to -30 °) and the horizontal rotation (from -90 ° to +90 °) and secure with the central screw



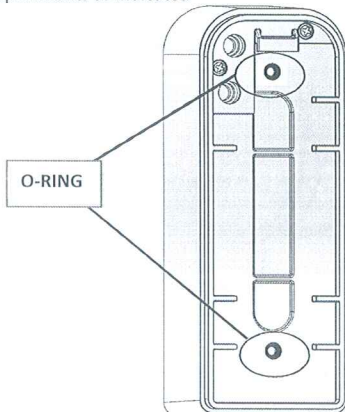
5. Remove the metal plate from the back of the radio transmitter case



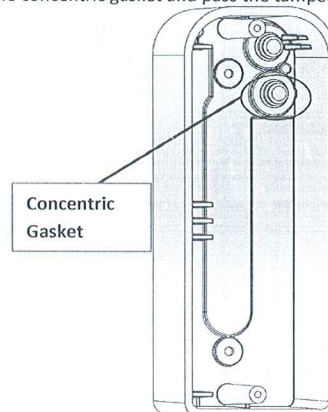
6. Drill the passage of the screw shown in the drawing



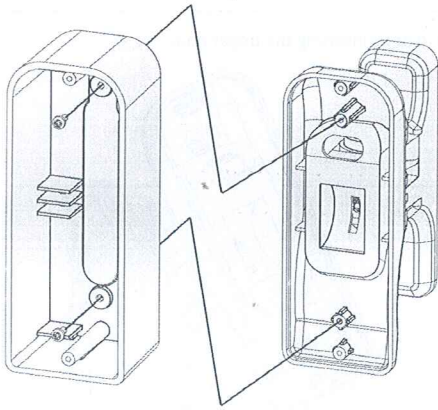
7. Replace the metric screw with those in the bag and insert the seals into the compartments as indicated



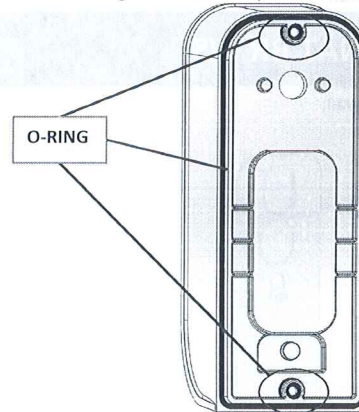
8. Drill the concentric gasket and pass the tamper cable



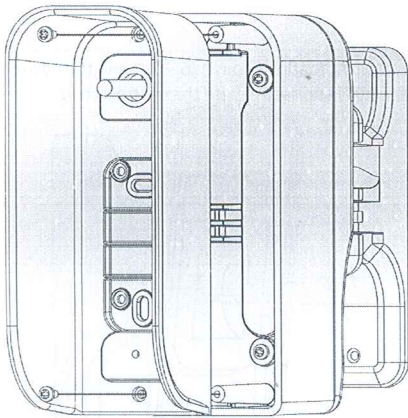
9. Fix the radio transmitter case at the joint



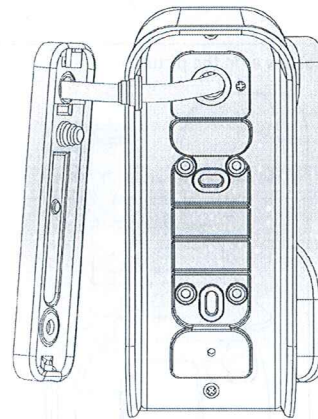
10. Check that the gaskets on the cap are correctly insert



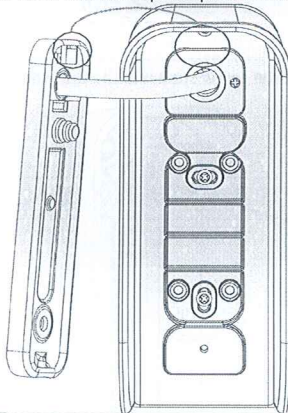
11. Fix the cap at battery case by passing the cable in the upper hole



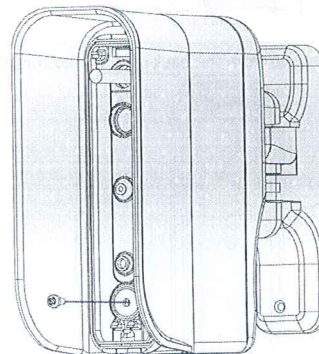
12. Drill hole in the rubber nut and slide inside the cable and insert then in the Nat base



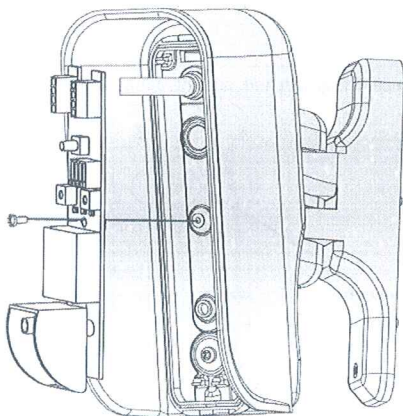
13. Insert the Nat base hook into the cap compartment as shown in the figure



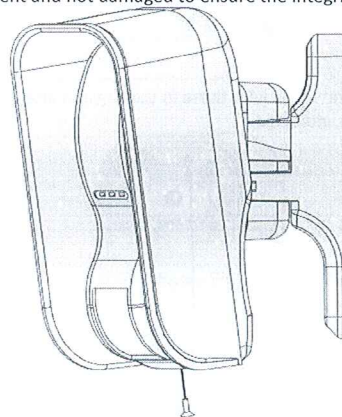
14. Screw the base on the cap



15. Fix the Nat motherboard on the support base



16. After the wiring and operation test close NAT sure that the seals and the O-rings are present and not damaged to ensure the integrity of the product.



 **POLITEC**
Perimeter protection

POLITEC s.r.l.
Via Adda, 66/68 - 20882 Bellusco (MB) - Italy
tel. +39 039 6883019 r.a. - fax +39 039 6200471
www.politecsrl.it