

- Fingerprint
- Tuya App
- Wi-Fi
- NFC
- NFC
- Numeric code
- Mifare card

Please read this user manual carefully before operation!

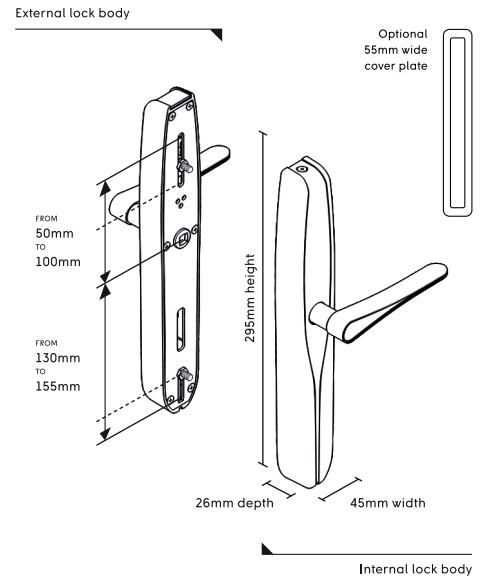
Important Tips

The user information database is empty when the lock is in factory default state.

Insert the batteries correctly and replace them with new batteries as soon as possible, when low voltage alarm is on.

Keep the mechanical keys in safe place (not at home) in case of any emergency.

Structure and dimensions



1 User management

1 ADD USER

1. Master - Input FP/Card/PIN Code
2. Normal User - Input FP/Card/PIN Code

2 DELETE USER

Input the User ID No. or the FP, Card, PIN Code and Wireless Device

3 CLEAR USER

Master Authorization(FP/CARD/PIN CODE)

4 RECORDS

Voice Broadcast

2 Lock settings

1 SYSTEM SETTING

1. Lock Mode
 1. Auto Lock
 2. Manual Lock
2. Open Time - (00-99 seconds)

2 VOLUME

1. Up
2. Down

3 WIRELESS SETTING

1. On (When add/register Smartphone should make the wireless on)
2. Off

4 TIME SETTING

YY/MM/DD/MIN
(each input 2 digitals)

3 Language Setting

1. Chinese
2. English

Other informations

RESET LOCK - Press reset button 5 seconds

ENTER SETTING MENU - To active the keypad and press v button. And it will quit after 5 seconds without operation.

DOORBELL - Doorbell button only ring when the keypad not be activated. When the keypad or finger sensor be activated, the doorbell button will working as v/# button.

PIN Code Length: 6~ 14 digitals.

ANTI-PEEP FUNCTION - Any random digitals be allowed to add before the correct PIN Code inputed.

USER ID - One User ID can register different FP/CARD/PIN CODE. The system default all the info will register into the same User ID during the register operation. If need different User ID for different user, press "X" button each time to return to previous menu and set it again.

Please register the master at the first time when installation finished. Under factory default state, the lock data is empty and any unregistered FP/PIN Code/Card can unlock.

Product functions

- Open by fingerprint
- Open by app/NFC
- Open by card
- Open by mechanical key
- Reversible handle
- Illuminated keypad
- Voice guidance
- Anti-peeping code
- Low voltage alarm
- Open by code
- Free pass mode
- Automatic lock (5 sec.)
- Wrong code entry alarm
- Automatic single point lock
- Multipoint lock by lifting the handle



Download the Android App



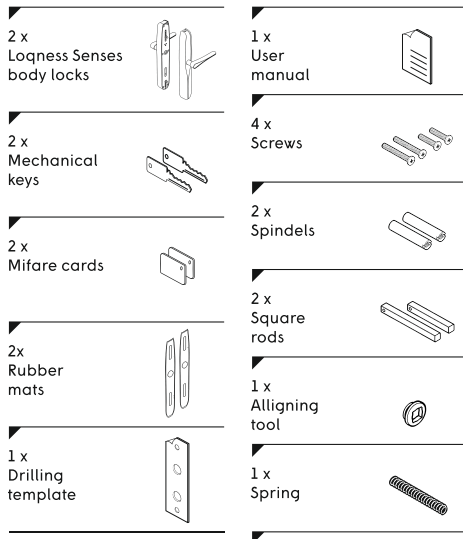
Download the iOS App



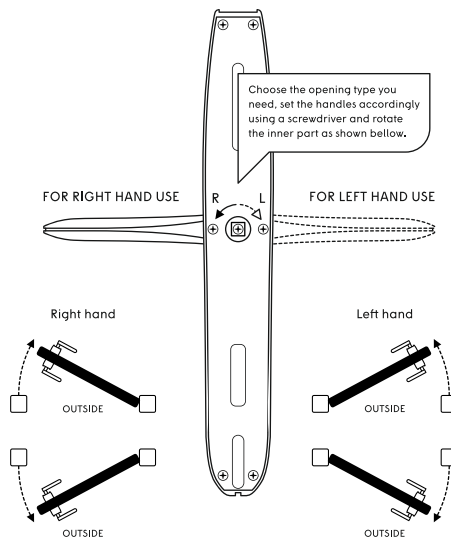
Technical specifications

Material	Zinc alloy
Finishes and colors	Silver, black panels
Door thickness	30-120mm
Dimensions (HxWxD)	295x45x26mm
Fingerprints capacity	200
Cards and PINs capacity	1000
Unlock Records	50000
Stand by Power Consumption	<70uA
Operating Power Consumption	<200mA
Battery Power Supply	4xAA R6 1.5v, alkaline
Battery life	> 5000 cycles
IP Rating	Ip64
Working Temperature	-25°~+55°
Working Humidity	10%~90%

The package includes



Opening types

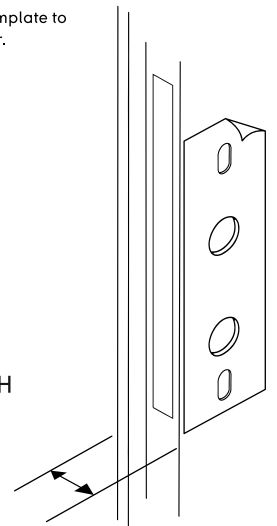


Drilling template

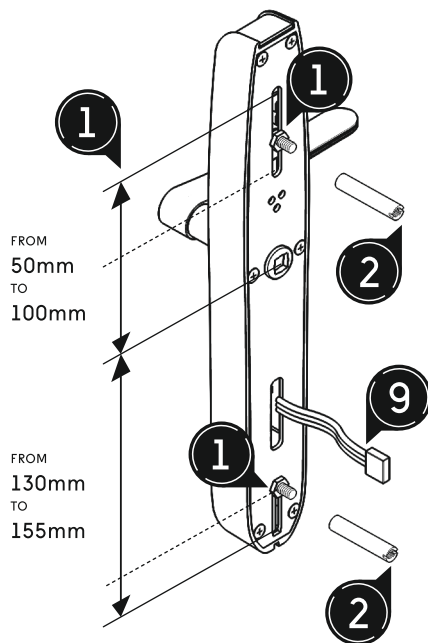
Use the drilling template to prepare your door.

DOOR DEPTH

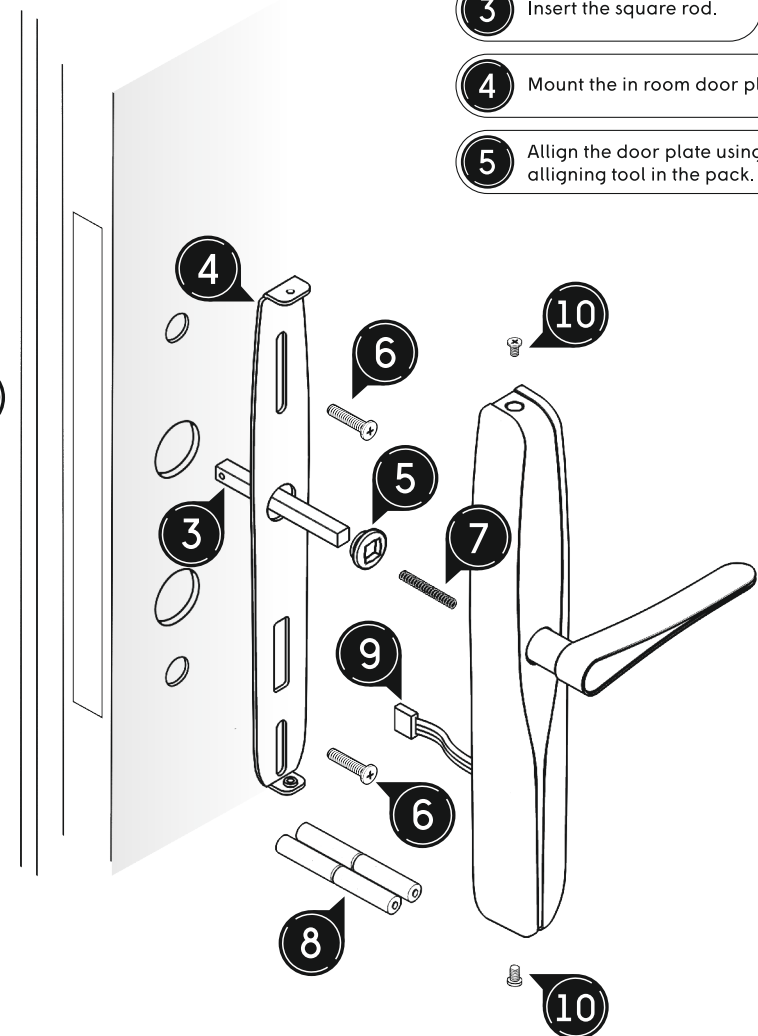
FROM
35mm
TO
95mm



10 easy steps to install the lock



- 1 Choose the dimension you need and move the screw in the position.
- 2 Mount the spindles. Only by hand!
- 3 Insert the square rod.
- 4 Mount the in room door plate.
- 5 Align the door plate using the alligning tool in the pack.



- 6 Fix the door plate using the screws.
- 7 Insert the spring into the handle.
- 8 Insert the batteries.
- 9 Connect the wires.
- 10 Mount and fix the body lock on the door plate using the screws.

Before completing the installation, please check the operation via mechanical key.