

Installation Instructions

## 1. Introduction

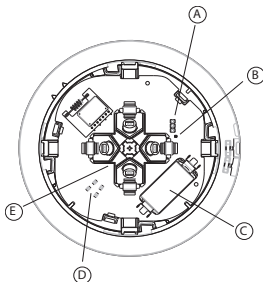
The MP-872 PG2 is a smart wireless ceiling PIR presence/security detector (selected mode) that creates a 360° coverage area to detect the movement of intruders in indoor areas.

The detector has the following features:

- Presence detection mode - active 15 minutes after installation (power-up) and then only when the panel is in Disarm mode.
- Security detection mode - operates as a normal motion security detector.
- Built-in link quality indicators eliminate the need for the installer to physically approach the control panel and reduce installation time.
- Temperature and light measurement and reporting.
- Tamper protection.
- PowerG two-way Frequency Hopping Spread Spectrum FHSS-TDMA technology.
- The Advanced True Motion Recognition™ algorithm (patented) distinguishes between the true motion of an intruder and any other disturbances which may cause false alarms.

**NOTE:** For UL installations, the detector is for use with UL listed control units only.

**Legend**



- A LEDs
- B Light sensor
- C Battery
- D Tamper protection
- E Pyro sensor

Figure 1. Internal view

## 2. Installation

### 2.1. Installation tips

Use the following as a guide for locating a suitable mounting location.

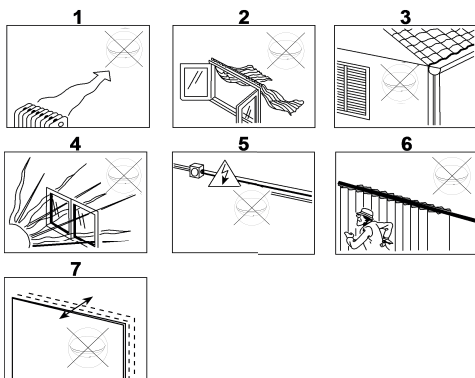


Figure 2. General guidelines

1. Keep away from heat sources.
2. Do not expose to air drafts.
3. Do not install outdoors.
4. Avoid direct sunshine.
5. Do not install near high voltage electrical lines.
6. Do not install behind partitions.
7. Mount on a solid stable surface.

**WARNING!** Do not partially or completely obscure the detector's field of view.

WARNING! To comply with FCC and ISED Canada RF exposure compliance requirements, the PIR detector should be located at a distance of at least 20 cm from all persons during normal operation. The antennas used for this product must not be co-located or operated in conjunction with any other antenna or transmitter.

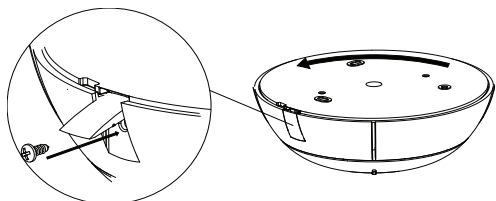
**NOTE:** The MP-872 PG2 Wireless ceiling PIR presence/security detector shall be installed and used within an environment that provides the pollution degree max 2 and overvoltages category II in NON HAZARDOUS LOCATIONS. The equipment is designed to be installed only by qualified service persons.

**NOTE:** MP-872 PG2 shall be installed in accordance with the Standard for Installation and Classification of Residential Burglar Alarm Systems, UL 1641.

## 2.2. Inserting or replacing the battery

To insert the battery, complete the following steps.

1. To separate the detector from the mounting bracket, rotate the bracket anticlockwise and pull it from the detector.
  2. Insert the battery while observing polarity.
- NOTE:** If the battery is already installed, pull the isolation strip that protrudes from the back of the detector.
3. Align the bracket tabs with the detector slots and rotate the detector clockwise to verify that it is securely attached.



**Figure 3. Removing the bracket**

**NOTE:** If a screw is used to secure the detector to the bracket (see Figure 3), open the screw cover, and remove the screw. To separate the detector from the mounting bracket, ensure the screw cover is fully open or fully closed, and rotate the detector anticlockwise. Replace the battery ensuring polarity is observed. Replace the detector and secure to the bracket with the screw.

**NOTE:** It is recommended to wait about 1 minute after battery removal before inserting the new battery.

**Caution!** Risk of explosion if battery is replaced by an incorrect type. Dispose of used batteries according to the manufacturer's instructions and according to local rules and regulations.

## 2.3. Enrollment


Refer to the PowerMaster panel's installer guide and follow the procedure under the "02:ZONES/DEVICES" option of the Installer Menu.

**NOTE:** When enrolling the MP-872 PG2 detector to PowerMaster panels with version 19.4 or lower, the detector will be enrolled as a motion detector, ID 120-xxxx, and labeled Motion Sens in the panel.

To enroll the device enter the Installation menu and do as follows:

1. From the Installation menu, select **02:ZONES/DEVICES** and click **OK**.
2. Select **ADD NEW DEVICES** and click **OK**. Panel displays: <ENROLL NOW or ENTER ID:xxx-xxxx>
3. Pull the enrollment tab or insert the battery to power up the device and begin the auto-enrollment process.

**NOTE:** You can also enter **ID:XXX-XXXX** (the number of the device that is printed on the label), or press the enroll button, if the device does not automatically enroll. For PowerMaster panels v19.4 and lower, the device will appear as **Motion Sens 120-XXXX**. For PowerMaster panels v20.2 and higher, the device will appear as **S.Ceiling.LR 128-XXXX**.

4. To change the Zone/Device number, click the arrow button or type the zone number and then click **OK**.
5. To configure the location, zone type and chime parameters, select **Z0x.LOCATION**, **Z0x.ZONE TYPE** and **Z0x.SET CHIME** and select desired settings.
6. Select one of the following options.
  - a. Continue to configure the device. See **Configuring the Detector Parameters**.
  - b. Select  and then click **OK** to exit.

## 2.4. Walk testing / local diagnostic testing

Before permanently mounting any wireless device, temporarily mount the device and perform a walk test. Perform a walk test of the coverage area at least once a week to ensure that the detector is working correctly.

After inserting the battery or closing the bracket, the detector will automatically enter a stability period where the LED flashes RED for 90 seconds. Walk test the coverage area; the LED lights red each time your motion is detected followed by 3 LED blinks. The color of the 3 LED blinks indicate the received signal strength. In walk-test mode, regardless of the LED Selection status, the LED lights upon every motion detection. After 15 minutes the detector automatically enters normal mode.

The following table indicates the received signal strength.

LED Response	Signal Strength
3 green LED blinks	STRONG
3 orange LED blinks	GOOD
3 red LED blinks	POOR
No blinks	No communication

**IMPORTANT!** Only GOOD or STRONG signal strengths are acceptable. If you receive a POOR signal from the device, re-locate it and re-test until a GOOD or STRONG signal is received.

**NOTE:** For UL/ULC installations, only STRONG signal levels are acceptable. After installation verify the product functionality in conjunction with the compatible control panels PowerMaster-10 and PowerMaster-30 PG2.

**NOTE:** For detailed Placement instructions refer to the control panel reference manual.

Walk-test the coverage area by walking across the far end of the coverage pattern in both directions. The red LED lights each time your motion is detected followed by a steady LED signal strength indication.

## 2.5. Mounting the device

1. Mark and drill two holes in the mounting surface. If you install tamper protection on the detector, mark and drill one hole for the tamper protection and one hole for one of the other available slots (see Figure 4).
2. Fasten the bracket to the mounting surface with the two screws.
3. Align the bracket tabs with the detector slots and rotate the detector clockwise. Verify that it is securely attached (see Figure 5).
4. Fasten the detector to the bracket with the screw (see Figure 6).

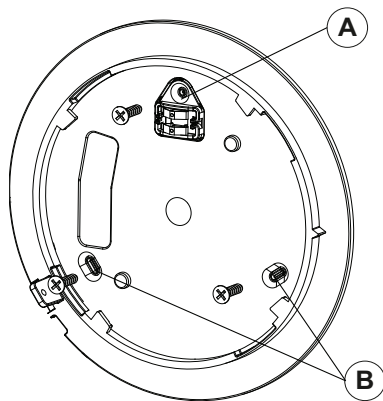


Figure 4. Fastening the bracket

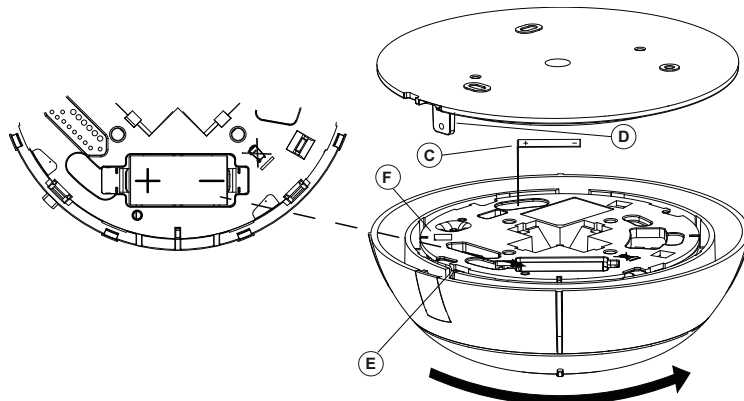


Figure 5. Attaching the detector

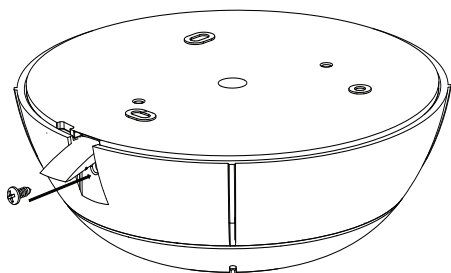


Figure 6. Fastening the detector

- A Tamper protection
- B Bracket screw slots
- C Isolation strip
- D Bracket tabs
- E Detector slots
- F Enroll button

The following table outlines the detection distance in relation to the mounting height.

<b>Height</b>	2 m 6.6 ft	3 m 9.8 ft	4 m 13.1 ft	5 m 16.4 ft	6 m 19.7 ft
<b>Radius detection distance</b>	3.1 m 10.2 ft	3.75 m 12.3 ft	4.5 m 14.8 ft	6.5 m 21.3 ft	10 m 32.8 ft

## 2.6. LED Operation

LED Indications	Event
Red LED blinks	Stabilization (warm-up 90 seconds)
Red LED on 0.2 seconds	Tamper open/close
Red LED on 2 seconds	Intruder alarm

## 3. Temperature display

For instructions on displaying the temperature and light of zones on the control panel as measured by the MP-872 PG2, refer to the PowerMaster Installer Guide, section 6.2 "Conducting a Periodic Test".

## 4. Configuring the Detector Parameters

Enter the DEVICE SETTINGS menu and follow the configuration instructions for the device as described in the following table.

Option	Configuring Instructions
Alarm LED	Define whether or not the alarm LED indication will be activated. Optional settings: LED ON (default) and LED OFF
Event Counter	Not applicable in this device
<b>For control panels with v19.4 and lower</b>	
VERY HOT > 35°C [ >95°F]	Define whether or not the control panel will report a "very hot" alert when the temperature rises above 35°C (95°F) for at least 10 minutes. Alert restore will occur when the temperature drops below 34°C (93°F) for the duration of 10 minutes. Optional settings: Disable (default) or Enable
COLD < 19°C [ <66°F]*	Define whether or not the control panel will report a "cold" alert when the temperature drops below 19°C (66°F) for at least 10 minutes. Alert restore will occur when the temperature rises above 20°C (68°F) for the duration of 10 minutes. Optional settings: Disable (default) or Enable
FREEZING < 7°C [ <45°F]*	Define whether or not the control panel will report a "freezing" alert when the temperature drops below 7°C (45°F) for at least 10 minutes. Alert restore will occur when the temperature rises above 8°C (48°F) for the duration of 10 minutes. Optional settings: Disable (default) or Enable
FREEZER > -10°C [ <14°F]*	Define whether or not the control panel will report a "freezer" alert when the temperature rises above -10°C (14°F) for at least 30 minutes. Alert restore will occur when the temperature drops below -11°C (12°F) for the duration of 10 minutes. Optional settings: Disable (default) or Enable
<b>For control panels with v20.2 and higher</b>	
VERY HOT > 35°C [ >95°F]	Define whether or not the control panel will report a VERY HOT alert when the temperature rises above the threshold value for at least the duration of specified alert delay value. Alert restore will occur when the temperature drops 1°C (1.8°F) below the threshold for at least the duration of restore delay. <b>NOTE:</b> The default threshold value for VERY HOT is 35°C (95°F). The default alert delay and default restore delay is 10 minutes. Optional settings: See <a href="#">Configuring the Temperature Alerts</a>
COLD < 19°C [ <66°F]	Define whether or not the control panel will report a COLD alert when the temperature drops below the threshold value for at least the duration of specified alert delay value. Alert restore will occur when the temperature rises 1°C (1.8°F) above the threshold for at least the duration of restore delay. <b>NOTE:</b> The default threshold value for COLD is 19°C (66°F). The default alert delay and default restore delay is 10 minutes. Optional settings: See <a href="#">Configuring the Temperature Alerts</a>
FREEZING < 7°C [ <45°F]	Define whether or not the control panel will report a FREEZER alert when the temperature drops below the threshold value for at least the duration of specified alert delay value. Alert restore will occur when the temperature rises 1°C (1.8°F) above the threshold for at least the duration of restore delay. <b>NOTE:</b> The default threshold value for FREEZING is 7°C (45°F). The default alert delay and default restore delay is 10 minutes. Optional settings: See <a href="#">Configuring the Temperature Alerts</a>
FREEZER > -10°C [ <14°F]*	Define whether or not the control panel will report a "freezer" alert when the temperature rises above the "Threshold" value (default -10 °C / 14 °F) for at least the duration specified in the "Wait before alert" value (default 30 minutes). Alert restore will occur when the temperature drops 1 °C / 1.8 °F below "Threshold" for at least the duration of "Wait before restore" (default 30 minutes). <b>NOTE:</b> The default threshold value for FREEZER is -10°C (14°F). The default alert delay and default restore delay is 10 minutes. Optional settings: See <a href="#">Configuring the Temperature Alerts</a>
Presence Mode	Define whether or not the presence mode will be activated. Optional settings: Smart Presence (default), or Disarm Activity.
Presence Timer Setting	Define whether or not to set the activity time during Presence Mode. Optional settings: 2 min, 5 min, 10 min, 15 min (default), 30 min, or not active.
DISARM Activity	Define whether or not to set the activity time during disarm. Optional settings: NOT Active (default), YES – no delay, YES + 5s delay, YES + 15s delay, YES + 30s delay, YES + 1m delay, YES + 2m delay, YES + 5m delay, YES + 10m delay, YES + 20m delay and YES + 60m delay. Available only when presence mode is configured as Disarm activity.

**NOTE:** The temperature must pass beyond the threshold for the required duration in order to generate an alarm or restore transmission.

**NOTE:** The user can give access to installer to remotely enable or disable the indication LED.

**NOTE:** Presence Mode and Presence Timer are not available with PowerMaster Panels with version 19.4 or lower.

## 5. Configuring the Temperature Alerts

You can configure each of the three temperature alerts, VERY HOT, COLD, and FREEZING, with the settings described in the following table.

Option	Configuring Instructions
Threshold	Displays the last saved threshold value and provides the installer with the ability to change the value using the back or next button.
Disable/Enable	You can define if the panel will report an alert or not
Alert delay	You can define the amount of time for the panel to wait before an alert is reported when the temperature exceeds the defined default. The alert delay time values are: Immediately, 1 min, 2 mine, 10 min, 15 min, 20 min, 30 min
Restore delay	You can define the amount of time for the panel to wait before an alert is reported when the temperature exceeds the defined default. The restore delay time values are: Immediately, 1 min, 2 mine, 10 min, 15 min, 20 min, 30 min

## 6. Specifications

### General

#### Detector Type

Four pyroelectric sensors operating in a dual separated configuration

#### Optical

##### Lens data

Fresnel type lens.

Number of beams: 120

##### Max. coverage

20 m/360° at the maximum installation height of 6 m (19.7 ft)

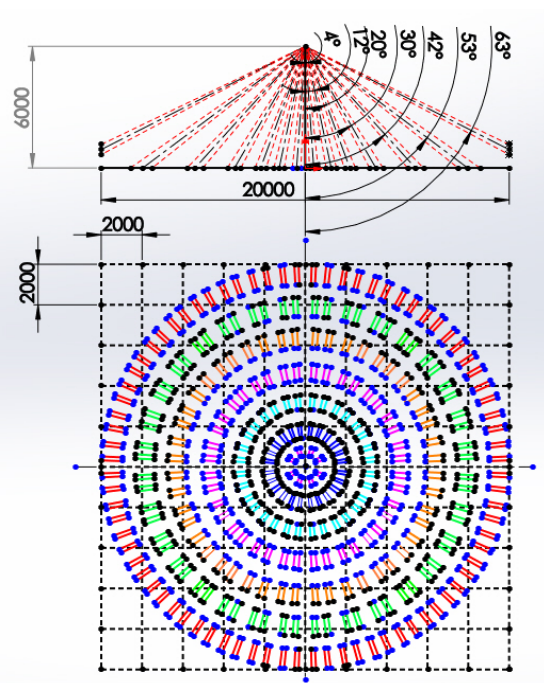


Figure 7. Beam distribution at 6 m (19.7 ft)

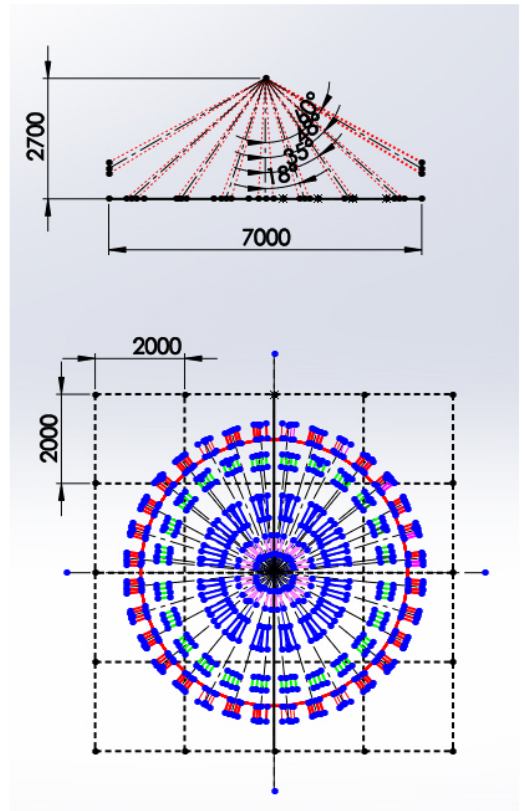


Figure 8. Beam distribution at 2.7 m (8.9 ft)

### Electrical

#### Power supply

Internal, 3V Lithium battery type CR123A. For UL/cUL installations, use only Panasonic or GP batteries. EN50131-6 type C power source.

#### Battery life (typical use)

Minimum 1 year. 3 years for typical use/security mode (not verified by UL). 2 years in presence mode with timer set to 15 min (not verified by UL).

#### Low battery threshold

2.5 V

**NOTE:** Inability to connect with wireless network, or wireless link quality no higher than 20% may significantly reduce the expected battery life.

#### Battery power test

Performed immediately upon battery insertion and periodically after every several hours.

The power supply is type C in accordance with EN 50131-6 Documentation – Clause 6.

**Current consumption**

30 µA average quiescent , maximum 150 mA (during transmission)

**Functional**

**Alarm Period:**

2 seconds

**Wireless**

**Frequency**

Europe and rest of world: 433-434 MHz, 868-869 MHz USA: 912-919 MHz

**NOTE:** Only devices in frequency band 915 MHz are UL/ULC listed.

**Max Tx power**

10 dBm à 433 MHz, 14 dBm @ 868MHz

**Communication Protocol**

PowerG

**Supervision**

Signaling at 256 second intervals

**Tamper alert**

Reported when a tamper event occurs and in any subsequent message, until the tamper switch is restored.

**Mounting**

**Height**

2 m to 6 m (6.6 ft to 19.7 ft)

**Installation options**

Ceiling surface

**Environmental**

**RF Immunity**

20 V/m up to 1000 MHz, 10 V/m up to 2700 MHz

**Operating Temperatures**

-10 °C to 55 °C (14 °F to 131 °F).

**NOTE:** UL verified operation range 0 °C to 49 °C only.

**Storage Temperatures**

-20 °C to 60 °C (-4 °F a 140 °F).

**Humidity**

Average relative humidity of up to approximately 75% non-condensing. For 30 days per year the relative humidity may vary between 85% and 95% non-condensing.

For UL installations: 5% to 93% with no condensation

**Physical**

**Size (diameter)**

15 cm (5.9 in)

**Weight (with battery)**

225 g (7.93 oz)

**Color**

White



**COMPATIBLE RECEIVERS**

This device can be used with Visonic panels that use PowerG technology.

**For UL installations: the detector is for use with UL listed control units only.**

**NOTE:** Only devices operating in band 912-919MHz are UL/ULC listed.

## 7. Compliance With Standards

	The MP-872 PG2 complies with the following standards: Europe: EN 300220, EN 301489, EN 50130-4, EN 62368-1, EN 50131-2-2 Grade 2, Class II, EN 50130-5, EN 50131-6 Type C.
	Hereby, Visonic Ltd. declares that the radio equipment type MP-872 PG2 is in compliance with Directive 2014/53/EU. The full text of the EU declaration of conformity is available at the following internet address: <a href="http://www.visonic.com/download-center">http://www.visonic.com/download-center</a> .
	Certified by Appliance Test & Certification AS in accordance with EN 50131-2-2, EN 50131-5-3, EN 50131-6, EN 50130-4, EN 50130-5.
	USA: FCC- CFR 47 Part 15 Canada: IC RSS - 247 USA: UL639 Canada: ULC-S306

This device complies with Part 15 of the FCC Rules and with Industry Canada license-exempt RSS standard(s). Operation is subject to the following two conditions: (1) This device may not cause harmful interference, and (2) this device must accept any interference received, including interference that may cause undesired operation.

Le présent appareil est conforme aux CNR d'Industrie Canada applicables aux appareils radio exempts de licence. L'exploitation est autorisée aux deux conditions suivantes : (1) l'appareil ne doit pas produire de brouillage, et (2) l'utilisateur de l'appareil doit accepter tout brouillage radioélectrique subi, même si le brouillage est susceptible d'en compromettre le fonctionnement.

To comply with FCC Section 1.1310 for human exposure to radio frequency electromagnetic fields and IC requirements, implement the following instruction: A distance of at least 20cm. between the equipment and all persons should be maintained during the operation of the equipment.

Le dispositif doit être placé à une distance d'au moins 20 cm à partir de toutes les personnes au cours de son fonctionnement normal. Les antennes utilisées pour ce produit ne doivent pas être situées ou exploitées conjointement avec une autre antenne ou transmetteur.


**NOTE:** This equipment has been tested and found to comply with the limits for a Class B digital device, pursuant to part 15 of the FCC Rules. These limits are designed to provide reasonable protection against harmful interference in a residential installation. This equipment generates, uses and can radiate radio frequency energy and, if not installed and used in accordance with the instructions, may cause harmful interference to radio communications. However, there is no guarantee that interference will not occur in a particular installation. If this equipment does cause harmful interference to radio or television reception, which can be determined by turning the equipment off and on, the user is encouraged to try to correct the interference by one or more of the following measures:

- Reorient or relocate the receiving antenna.
- Increase the separation between the equipment and receiver.
- Connect the equipment into an outlet on a circuit different from that to which the receiver is connected.
- Consult the dealer or an experienced radio/TV technician for help.

This Class B digital apparatus complies with Canadian ICES-003.

Cet appareil numérique de la classe B est conforme à la norme NMB-003 du Canada.

**WARNING!** Changes or modifications to this unit not expressly approved by the party responsible for compliance could void the user's authority to operate the equipment.

	<b>W.E.E.E. Product Recycling Declaration</b> For information regarding the recycling of this product you must contact the company from which you originally purchased it. If you are discarding this product and not returning it for repair then you must ensure that it is returned as identified by your supplier. This product is not to be thrown away with everyday waste. Directive 2002/96/EC Waste Electrical and Electronic Equipment.
---	---

#### WARRANTY

Visonic Limited (the "Manufacturer") warrants this product only (the "Product") to the original purchaser only (the "Purchaser") against defective workmanship and materials under normal use of the Product for a period of twelve (12) months from the date of shipment by the Manufacturer.

This Warranty is absolutely conditional upon the Product having been properly installed, maintained and operated under conditions of normal use in accordance with the Manufacturers recommended installation and operation instructions. Products which have become defective for any other reason, according to the Manufacturers discretion, such as improper installation, failure to follow recommended installation and operational instructions, neglect, willful damage, misuse or vandalism, accidental damage, alteration or tampering, or repair by anyone other than the manufacturer, are not covered by this Warranty.

There is absolutely no warranty on software, and all software products are sold as a user license under the terms of the software license agreement included with such Product."

The Manufacturer does not represent that this Product may not be compromised and/or circumvented or that the Product will prevent any death and/or personal injury and/or damage to property resulting from burglary, robbery, fire or otherwise, or that the Product will in all cases provide adequate warning or protection. The Product, properly installed and maintained, only reduces the risk of such events without warning and it is not a guarantee or insurance that such events will not occur.

Conditions to Void Warranty: This warranty applies only to defects in parts and workmanship relating to normal use of the Products. It does not cover:

- \* damage incurred in shipping or handling;
- \* damage caused by disaster such as fire, flood, wind, earthquake or lightning;
- \* damage due to causes beyond the control of the Seller such as excessive voltage, mechanical shock or water damage;
- \* damage caused by unauthorized attachment, alterations, modifications or foreign objects being used with or in conjunction with the Products;
- \* damage caused by peripherals (unless such peripherals were supplied by the Seller);
- \* defects caused by failure to provide a suitable installation environment for the products;
- \* damage caused by use of the Products for purposes other than those for which they were designed;
- \* damage from improper maintenance;
- \* damage arising out of any other abuse, mishandling or improper application of the Products.

Items Not Covered by Warranty: In addition to the items which void the Warranty, the following items shall not be covered by Warranty: (i) freight cost to the repair centre; (ii) customs fees, taxes, or VAT that may be due; (iii) Products which are not identified with the Seller's product label and lot number or serial number; (iv) Products disassembled or repaired in such a manner as to adversely affect performance or prevent adequate inspection or testing to verify any warranty claim. Access cards or tags returned for replacement under warranty will be credited or replaced at the Seller's option.

THIS WARRANTY IS EXCLUSIVE AND EXPRESSLY IN LIEU OF ALL OTHER WARRANTIES, OBLIGATIONS OR LIABILITIES, WHETHER WRITTEN, ORAL, EXPRESS OR IMPLIED, INCLUDING ANY WARRANTY OF MERCHANTABILITY OR FITNESS FOR A PARTICULAR PURPOSE, OR OTHERWISE. IN NO CASE SHALL THE MANUFACTURER BE LIABLE TO ANYONE FOR ANY CONSEQUENTIAL OR INCIDENTAL DAMAGES FOR BREACH OF THIS WARRANTY OR ANY OTHER WARRANTIES WHATSOEVER, AS AFORESAID.

THE MANUFACTURER SHALL IN NO EVENT BE LIABLE FOR ANY SPECIAL, INDIRECT, INCIDENTAL, CONSEQUENTIAL OR PUNITIVE DAMAGES OR FOR LOSS, DAMAGE, OR EXPENSE, INCLUDING LOSS OF USE, PROFITS, REVENUE, OR GOODWILL, DIRECTLY OR INDIRECTLY ARISING FROM PURCHASER'S USE OR INABILITY TO USE THE PRODUCT, OR FOR LOSS OR DESTRUCTION OF OTHER PROPERTY OR FROM ANY OTHER CAUSE, EVEN IF MANUFACTURER HAS BEEN ADVISED OF THE POSSIBILITY OF SUCH DAMAGE.

THE MANUFACTURER SHALL HAVE NO LIABILITY FOR ANY DEATH, PERSONAL AND/OR BODILY INJURY AND/OR DAMAGE TO PROPERTY OR OTHER LOSS WHETHER DIRECT, INDIRECT, INCIDENTAL, CONSEQUENTIAL OR OTHERWISE, BASED ON A CLAIM THAT THE PRODUCT FAILED TO FUNCTION. HOWEVER, IF THE MANUFACTURER IS HELD LIABLE, WHETHER DIRECTLY OR INDIRECTLY, FOR ANY LOSS OR DAMAGE ARISING UNDER THIS LIMITED WARRANTY, THE MANUFACTURER'S MAXIMUM LIABILITY (IF ANY) SHALL NOT IN ANY CASE EXCEED THE PURCHASE PRICE OF THE PRODUCT INVOLVED, WHICH SHALL BE FIXED AS LIQUIDATED DAMAGES AND NOT AS A PENALTY, AND SHALL BE THE COMPLETE AND EXCLUSIVE REMEDY AGAINST THE MANUFACTURER. SOME JURISDICTIONS DO NOT ALLOW THE EXCLUSION OR LIMITATION OF INCIDENTAL OR CONSEQUENTIAL DAMAGES, SO THESE LIMITATIONS MAY NOT APPLY UNDER CERTAIN CIRCUMSTANCES.

When accepting the delivery of the Product, the Purchaser agrees to the said conditions of sale and warranty and he recognizes having been informed of.

The Manufacturer shall be under no liability whatsoever arising out of the corruption and/or malfunctioning of any telecommunication or electronic equipment or any programs.

The Manufacturers obligations under this Warranty are limited solely to repair and/or replace at the Manufacturer's discretion any Product or part thereof that may prove defective. Any repair and/or replacement shall not extend the original Warranty period. The Manufacturer shall not be responsible for dismantling and/or re-installation costs. To exercise this Warranty the Product must be returned to the Manufacturer freight pre-paid and insured. All freight and insurance costs are the responsibility of the Purchaser and are not included in this Warranty.

For sales in Israel only:

The Purchaser shall comply with the provisions of the Israeli Consumer Protection Law – 1981 ("Consumer Protection Law") related regulations, including the Israeli Consumer Protection Regulations (Warranty Sticker), 5772-2012 ("Regulations"), including, without limitation (i) providing its customers with at least the minimum warranty required by the Consumer Protection Law, and (ii) ensuring that a warranty certificate and a warranty sticker (as defined in the Regulations) ("Warranty Sticker") shall be attached to any sold Products and the date of the sale of the Product to the consumer or the end-user shall be added in a readable manner on the Warranty Sticker.

In no event shall the Purchaser's compliance with the Consumer Protection Law and Regulations expand any of the Manufacturer's warranty obligations under this warranty, and the Purchaser shall be responsible for any warranty that it provides with respect to the Products which exceeds or is different from this warranty.

This warranty shall not be modified, varied or extended, and the Manufacturer does not authorize any person to act on its behalf in the modification, variation or extension of this warranty. This warranty shall apply to the Product only. All products, accessories or attachments of others used in conjunction with the Product, including batteries, shall be covered solely by their own warranty, if any. The Manufacturer shall not be liable for any damage or loss whatsoever, whether directly, indirectly, incidentally, consequentially or otherwise, caused by the malfunction of the Product due to products, accessories, or attachments of others, including batteries, used in conjunction with the Products. This Warranty is exclusive to the original Purchaser and is not assignable.

This Warranty is in addition to and does not affect your legal rights. Any provision in this warranty which is contrary to the Law in the state or country where the Product is supplied shall not apply.

Governing Law: This disclaimer of warranties and limited warranty are governed by the domestic laws of Israel.

#### Warning

The user must follow the Manufacturer's installation and operational instructions including testing the Product and its whole system at least once a week and to take all necessary precautions for his/her safety and the protection of his/her property.

\* In case of a conflict, contradiction or interpretation between the English version of the warranty and other versions, the English version shall prevail.

7/15

### End-User License Agreement

**IMPORTANT - READ THIS END-USER LICENSE AGREEMENT ("EULA") CAREFULLY BEFORE OPENING THE DISK PACKAGE, DOWNLOADING THE SOFTWARE OR INSTALLING, COPYING OR OTHERWISE USING THE SOFTWARE.**

THIS EULA IS A LEGAL AGREEMENT BETWEEN YOU AND VISONIC LTD. ("TYCO") AND GOVERNS YOUR USE OF THE SOFTWARE ACCOMPANYING THIS EULA, WHICH SOFTWARE INCLUDES COMPUTER SOFTWARE AND MAY INCLUDE MEDIA, PRINTED MATERIALS, AND "ON-LINE" OR ELECTRONIC DOCUMENTATION (COLLECTIVELY, THE "SOFTWARE"). BY BREAKING THE SEAL ON THIS PACKAGE, DOWNLOADING THE SOFTWARE OR INSTALLING, COPYING OR OTHERWISE USING THE SOFTWARE, YOU AGREE TO BE BOUND BY THE TERMS OF THIS EULA. IF YOU DO NOT AGREE TO ALL OF THE TERMS AND CONDITIONS OF THIS EULA, DO NOT OPEN, DOWNLOAD, INSTALL, COPY OR OTHERWISE USE THE SOFTWARE.

1. **SCOPE OF LICENSE.** The Software may include computer code, program files and any associated media, hardware or software keys, printed material and electronic documentation. The Software may be provided to you pre-installed on a storage device (the media) as part of a computer system or other hardware or device ("System"). The Software is protected by copyright laws and international copyright treaties, as well as other intellectual property laws and treaties. All title and intellectual property rights in and to the Software (including but not limited to any images, photographs, and text incorporated into the Software), the accompanying printed materials, and any copies of the Software, are owned by Tyco and/or its suppliers. The Software is licensed, not sold. All rights not expressly granted under this EULA are reserved by Tyco and its suppliers.

2. **GRANT OF LICENSE.** This EULA grants you the following rights on a non-exclusive basis:

a. **General.** This EULA permits you to use the Software for which you have purchased this EULA. Once you have purchased licenses for the number of copies of the Software that you require, you may use the Software and accompanying material provided that you install and use no more than the licensed number of copies at one time. The Software is only licensed for use with specified Licensor-supplied Systems. If the Software is protected by a software or hardware key or other device, the Software may be used on any computer on which the key is installed. If the key locks the Software to a particular System, the Software may only be used on that System.

b. **Locally Stored Components.** The Software may include a software code component that may be stored and operated locally on one or more devices. Once you have paid the required license fees for these devices (as determined by Tyco in its sole discretion), you may install and/or use one copy of such component of the Software on each of the devices as licensed by Tyco. You may then use, access, display, run or otherwise interact with ("use") such component of the Software in connection with operating the device on which it is installed solely in the manner set forth in any accompanying documentation or, in the absence of such, solely in the manner contemplated by the nature of the Software.

c. **Remotely Stored Components.** The Software may also include a software code component for operating one or more devices remotely. You may install and/or use one copy of such component of the Software on a remote storage device on an internal network with all of the devices and may operate such component with each device over the internal network solely in the manner set forth in any accompanying documentation or, in the absence of such, solely in the manner contemplated by the nature of the Software; provided however, you must still acquire the required number of licenses for each of the devices with which such component is to be operated.

d. **Embedded Software/Firmware.** The Software may also include a software code component that is resident in a device as provided by Tyco for operating that device. You may use such component of the Software solely in connection with the use of that device, but may not retrieve, copy or otherwise transfer that software component to any other media or device without Tyco's express prior written authorization.

e. **Backup Copy.** You may make a back-up copy of the Software (other than embedded software) solely for archival purposes, which copy may only be used to replace a component of the Software for which you have current valid license. Except as expressly provided in this EULA, you may not otherwise make copies of the Software, including the printed materials.

3. **OTHER RIGHTS AND LIMITATIONS.** Your use of the Software is subject to the following additional limitations. Failure to comply with any of these restrictions will result in automatic termination of this EULA and will make available to Tyco other legal remedies.

a. **Limitations on Reverse Engineering and Derivative Works.** You may not reverse engineer, decompile, or disassemble the Software, and any attempt to do so shall immediately terminate this EULA - except and only to the extent that such activity may be expressly permitted by applicable law notwithstanding this limitation. You may not make any changes or modifications to any portion of the Software, or create any derivative works, without the written permission of an officer of Tyco (except as provided in Section 3(f) of this EULA with respect to "open source" software). You may not remove any proprietary notices, marks or labels from the Software. You shall institute reasonable measures to ensure compliance with the terms and conditions of this EULA by your personnel and agents.

b. **Copyright Notices.** You must maintain all copyright notices on all copies of the Software.

c. **Transfer.** You may only transfer your rights under this EULA (i) as part of a permanent sale or transfer of all of the devices for which the Software is licensed as applicable; (ii) if you transfer all of the Software (including all component parts, the media and printed materials, any upgrades and this EULA); (iii) if you do not retain any copies of any portion of the Software; (iv) if the recipient agrees to the terms of this EULA; and (v) if the Software is an upgrade, such transfer must also include all prior versions of the Software. You agree that failure to meet all of these conditions renders such transfer null and void.

d. **Termination.** Without prejudice to any other rights, Tyco may terminate this EULA if you fail to comply with the terms and conditions herein. In such event, you must immediately destroy all copies of the Software and all of its component parts. To the extent the Software is embedded in hardware or firmware, you will provide prompt access to Tyco or its representative to remove or lock Software features or functionality as Tyco determines.

e. **Subsequent EULA.** Tyco may also supersede this EULA with a subsequent EULA pursuant to providing you with any future component, release, upgrade or other modification or addition to the Software. Similarly, to the extent that the terms of this EULA conflict with any prior EULA or other agreement between you and Tyco regarding the Software, the terms of this EULA shall prevail.

f. **Incorporation of "Open Source" and other Third Party Software.** Portions of the Software may be subject to certain third party license agreements governing the use, copying, modification, redistribution and warranty of those portions of the Software, including what is commonly



known as "open source" software. A copy of each applicable third party license can be found in the file README.TXT or other documentation accompanying the Software. Such open source software is not subject to any warranty and indemnity set forth in this EULA. By using the Software you are also agreeing to be bound to the terms of such third party licenses. If provided for in the applicable third party license, you have a right to receive source code for such software for use and distribution in any program that you create, so long as you in turn agree to be bound to the terms of the applicable third party license, and your programs are distributed under the terms of that license. A copy of such source code may be obtained free of charge by contacting your Tyco representative.

g. Trademarks. This EULA does not grant you any rights in connection with any trademarks or service marks of Tyco, its affiliates or its suppliers.

h. Rental. You may not sublicense, rent, lease or lend the Software. You may not make it available to others or post it on a server or web site or otherwise distribute it.

i. Software Keys. The hardware/software key, where applicable, is your proof of license to exercise the rights granted herein and must be retained by you. Lost or stolen keys will not be replaced.

j. Demonstration and Evaluation Copies. A demonstration or evaluation copy of the Software is covered by this EULA; provided that the licenses contained herein shall expire at the end of the demonstration or evaluation period.

k. Registration of Software. The Software may require registration with Tyco prior to use. If you do not register the Software, this EULA is automatically terminated and you may not use the Software.

l. Additional Restrictions. The Software may be subject to additional restrictions and conditions on use as specified in the documentation accompanying such Software, which additional restrictions and conditions are hereby incorporated into and made a part of this EULA.

m. Upgrades and Updates. To the extent Tyco makes them available, Software upgrades and updates may only be used to replace all or part of the original Software that you are licensed to use. Software upgrades and updates do not increase the number of copies licensed to you. If the Software is an upgrade of a component of a package of Software programs that you licensed as a single product, the Software may be used and transferred only as part of that single product package and may not be separated for use on more than one computer or System. Software upgrades and updates downloaded free of charge via a Tyco authorized World Wide Web or FTP site may be used to upgrade multiple Systems provided that you are licensed to use the original Software on those Systems.

n. Tools and Utilities. Software distributed via a Tyco-authorized World Wide Web or FTP site (or similar Tyco-authorized distribution means) as a tool or utility may be copied and installed without limitation provided that the Software is not distributed or sold and the Software is only used for the intended purpose of the tool or utility and in conjunction with Tyco products. All other terms and conditions of this EULA continue to apply.

4. EXPORT RESTRICTIONS. You agree that you will not export, re-export or transfer any portion of the Software, or any direct product thereof (the foregoing collectively referred to as the "Restricted Components"), to IRAN, NORTH KOREA, SYRIA, CUBA and SUDAN, including any entities or persons in those countries, either directly or indirectly ("Tyco's Position"). You also agree that you will not export, re-export or transfer the Restricted Components to any other countries except in full compliance with all applicable governmental requirements, including but not limited to applicable economic sanctions and constraints administered by any Israeli governmental authority, including, but not limited to the Israeli Ministry of Defense, by any applicable treaty, applicable export control measures administered by Israel, U.S. Treasury Department and applicable export control measures administered by the U.S. Department of Commerce and U.S. Department of State, any other U.S. government agencies, and measures administered by the European Union or the government agencies of any other countries. Any violation by you of the applicable laws or regulations of the U.S. or any other government, or where you breach Tyco's Position notwithstanding whether or not this is contrary to any aforementioned applicable laws or regulations, will result in automatic termination of this EULA.

5. U.S. GOVERNMENT RESTRICTED RIGHTS. The Software is Commercial Computer Software provided with "restricted rights" under Federal Acquisition Regulations and agency supplements to them. Any use, duplication or disclosure by the U.S. Government is subject to restrictions as set forth in subparagraph (c)(1)(ii) of the Rights in Technical Data and Computer Software clause at DFAR 255.227-7013 et. seq. or 252.211-7015, or subparagraphs (a) through (d) of the Commercial Computer Software Restricted Rights at FAR 52.227-19, as applicable, or similar clauses in the NASA FAR Supplement. Contractor/manufacturer is Visonic Ltd., 24 Habarzel St., Tel-Aviv, Israel 69710.

#### 6. LIMITATION OF LIABILITY & EXCLUSION OF DAMAGES.

a. LIMITATION OF LIABILITY. IN NO EVENT WILL TYCO'S AGGREGATE LIABILITY (INCLUDING, BUT NOT LIMITED TO, LIABILITY FOR NEGLIGENCE, STRICT LIABILITY, BREACH OF CONTRACT, MISREPRESENTATION AND OTHER CONTRACT OR TORT CLAIMS) ARISING FROM OR RELATED TO THIS EULA, OR THE USE OF THE SOFTWARE, EXCEED THE AMOUNT OF FEES YOU PAID TO TYCO OR ITS RESELLER FOR THE SOFTWARE THAT GIVES RISE TO SUCH LIABILITY. BECAUSE AND TO THE EXTENT THAT SOME JURISDICTIONS DO NOT ALLOW THE EXCLUSIONS OR LIMITATIONS OF LIABILITY ABOVE, THESE MAY NOT APPLY TO YOU.

b. EXCLUSION OF OTHER DAMAGES. UNDER NO CIRCUMSTANCES SHALL TYCO OR ANY OF ITS RESELLERS OR LICENSORS BE LIABLE FOR ANY OF THE FOLLOWING: (I) THIRD PARTY CLAIMS; (II) LOSS OR DAMAGE TO ANY SYSTEMS, RECORDS OR DATA, OR LIABILITIES RELATED TO A VIOLATION OF AN INDIVIDUAL'S PRIVACY RIGHTS; OR (III) INDIRECT, INCIDENTAL, SPECIAL, CONSEQUENTIAL, PUNITIVE, RELIANCE, OR COVER DAMAGES (INCLUDING WITHOUT LIMITATION, LOSS OF PROFITS, BUSINESS INTERRUPTION, LOSS OF DATA OR BUSINESS INFORMATION AND LOST SAVINGS), IN EACH CASE EVEN IF TYCO HAS BEEN ADVISED OF THE POSSIBILITY OF SUCH DAMAGES. YOU ARE SOLELY RESPONSIBLE AND LIABLE FOR VERIFYING THE SECURITY, ACCURACY AND ADEQUACY OF ANY OUTPUT FROM THE SOFTWARE, AND FOR ANY RELIANCE THEREON. SOME JURISDICTIONS DO NOT ALLOW THE EXCLUSION OF INCIDENTAL OR CONSEQUENTIAL DAMAGES, OR THE LIMITATION ON HOW LONG AN IMPLIED WARRANTY LASTS, SO SOME OF THE ABOVE LIMITATIONS MAY APPLY TO YOU ONLY TO THE EXTENT PERMITTED BY THOSE LAWS.

GENERAL. If any provision of this EULA is found to be unlawful, void, or for any reason unenforceable, then that provision shall be severed from this EULA and shall not affect the validity and enforceability of the remaining provisions. You should retain proof of the license fee paid, including model number, serial number and date of payment, and present such proof of payment when seeking service or assistance covered by the warranty set forth in this EULA. This EULA is governed by the laws of Israel, without giving effect to any choice or conflict of law provision or rule that would cause the application of the laws of any jurisdiction other than Israel. Each of the Parties submits to the exclusive jurisdiction of any court sitting in Tel Aviv, Israel for purposes of resolving any and all disputes arising under or related to these terms and conditions. The parties specifically exclude the application of the provisions of the United Nations Convention on Contracts for the International Sale of Goods.

