

GV-POE0811 8-Port Gigabit 802.3at Web Management PoE Switch

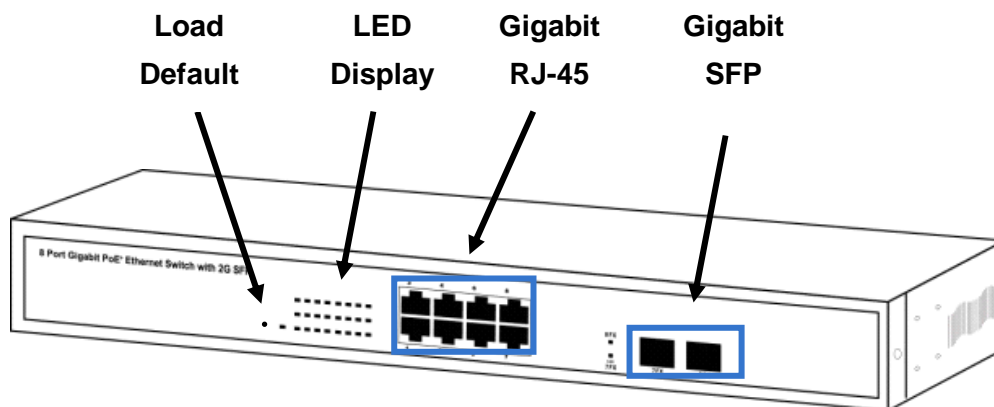


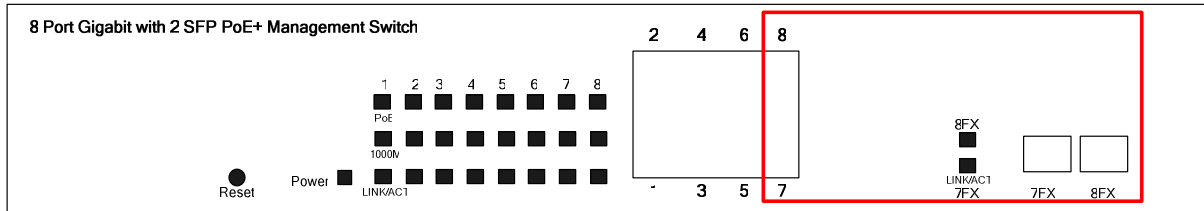
Packing List

1. GV-POE0811 x 1
2. AC Power Cord x 1
3. Screw x 8
4. Rack Mount Kit x 1
5. Software CD x 1
6. GV-POE0811 Quick Start Guide x 1

Note: If any of these items is found missing or damaged, please contact your local supplier for replacement.

Front Panel





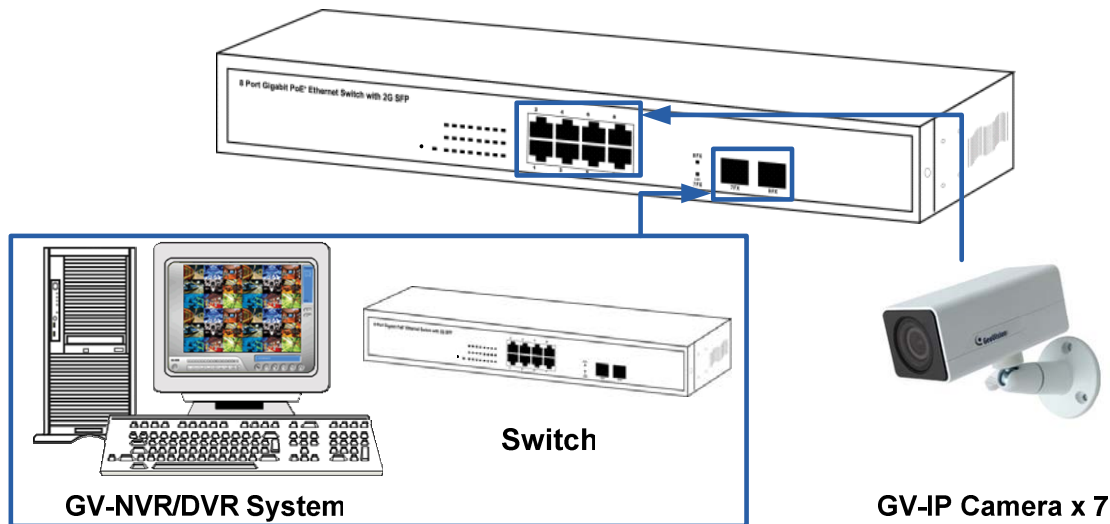
IMPORTANT: The 2 SFP ports labeled 7FX ~ 8FX are associated with the 2 RJ-45 ports labeled 7 ~ 8 respectively. When one of the two associated ports is used, the other port will not work. For example, if the Gigabit SFP port labeled 7FX is used, the Gigabit RJ-45 port labeled 7 will not function.

LED Indicators on the switch

| LED | Color/Status | Description | No. of LED |
|------------|----------------|--------------------------------|-----------------------------------|
| Power | Amber On | Power on | Power |
| | Off | Power off | |
| Link / ACT | Green On | Link Up | Port 1~8 (10/100 M/ 1000 M) |
| | Green Blinking | Data activating | |
| | Off | No connection | |
| PoE | Amber On | Port is linked to Power Device | Port 7FX~8FX |
| | Off | No Power Device is connected | |
| SFP | Green On | Link Up | Port 7FX~8FX |
| | Green Blinking | Data activating | |

Connecting up to 7 GV-IP Cameras and 1 GV-NVR/DVR System

Through twisted pair cables, this switch can be connected to up to 7 GV-IP Cameras and 1 GV-NVR/DVR System. You can also extend the connections by connecting to other switches.



Note: The maximum cable length for Gigabit RJ-45 is 100 meters. For connection that exceeds 100 meters, you can use the Gigabit SFP ports.

Accessing Web Interface

Users can log in the Web interface to manage and set up the switch. Follow the below steps to log in the Web interface.

Note: The device has a default IP [\\192.168.0.250](http://192.168.0.250). The default Password to log in is **admin**.

1. To access the Web user interface, type the default IP [\\192.168.0.250](http://192.168.0.250) into your Web browser.

2. On the User Log In page, type the default Password **admin** and click **Apply**. When you successfully log in, the message “Password Successfully Entered” appears.



3. To configure the GV-POE Switch, select desired functions from the left menu.

Loading Default Setting

You can load the default value with the **Reset** button or with the Web interface.

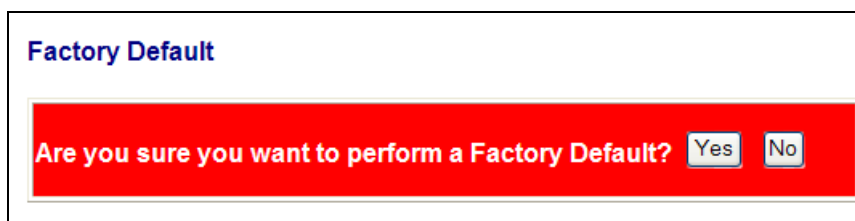
Hardware

1. Turn on the switch.
2. Press and hold the **Reset** button on the front panel of the switch for 5 seconds until all the LED start blinking.
3. Release the button. The switch is restored to its default settings.

Note: After restoring default settings, you will need to configure IP address and Password again.

Web Interface

1. On the Web interface, select **Factory Default**. This page appears.



2. Click **Yes** to restore the switch to the original configuration.

Note: Loading default from the Web interface will not change the user name, password and IP configuration. If you want to restore the default setting of IP address, user name and password, press the **Reset** button on the front panel of the switch.

Updating Firmware

1. On the Web interface, select **Software Upload**. This page appears.



The screenshot shows a web interface titled "Software Upload". It features a text input field, a "Browse..." button to its right, and an "Upload" button below the input field.

2. Click **Browse** to select the latest firmware file (.bin) for update.
3. Click **Upload**. The uploading process is started.
4. After the firmware is successfully uploaded, click **Logout** from the left menu and re-login the switch.

Specifications

| Ports | |
|------------------------------|--|
| Number of Ports | 8 ports 8-port 10/100/1000BaseT(X) with RJ-45 Connectors, PoE+ 2-port SFP Open Slots |
| Performance | |
| MAC Address | 8 K |
| Buffer Memory | 1.37 M bits |
| Jumbo Frames | 9.6 KB |
| Transmission Method | Store and Forward |
| Transmission Media | 10/100BaseT(X) Cat. 5 UTP/STP 1000BaseT Cat. 5e, 6 UTP/STP |
| Filtering / Forwarding Rates | 10 Mbps port - 14,880 pps 100 Mbps port - 148,800 pps 1000 Mbps port - 1,488,000 pps |
| Smart Features | |
| Port Based VLAN | 16 |
| Tag Based VLAN | 16, VID 1~4096 |
| IGMP Snooping | V1 & V2 |
| Link Aggregation | up to 4 groups |
| Quality of Service (QoS) | up to 4 queues, 802.1p, DSCP |
| Port Management | Port State, Speed/Duplex, Flow Control Configuration, Port Mirroring, Broadcast Storm Control, PoE |
| Administrator Management | Web Management, Password Protection, Configuration, Backup / Restore, Firmware Upgrade |
| Mechanical Characteristics | |
| LED Indicators | Per Port: Link/Act PoE Act/Status Power |

| Electrical Characteristics | | |
|-----------------------------------|--------|--|
| PoE Power | Input | 100 ~ 240 V/AC, 50 ~ 60 Hz |
| | Output | IEEE 802.3at Compliant Voltage, Per Port Max. 30 watts (8 Ports at Full 15.4 W / 4 Ports at Full 30 W) |
| Max. Power Consumption | | 130 W |
| General | | |
| Dimensions (H x W x D) | | 44 x 440 x 220 mm (1.73" x 17.32" x 8.66") |
| Weight | | 3.3 kg (7.27 lb) |
| Operating Temperature | | 0°C ~ 40°C (32°F ~ 104°F) |
| Storage Temperature | | -20°C ~ 90°C (-4°F ~ 194°F) |
| Humidity | | 10 to 90% RH (non-condensing) |
| Standards and Regulatory | | |
| Standards | | IEEE 802.3 10BaseT, IEEE 802.3u 100BaseTX, IEEE 802.ab 1000BaseT, IEEE 802.3z 1000BaseSX/LX IEEE 802.3x Flow Control IEEE 802.3ad Port Aggregation IEEE 802.1Q VLAN Tagging |
| Regulatory | | CE, FCC Class A |

Note: Specifications are subject to change without prior notice.