

Since 1968

COMMAX
SmartHome & Security

User Manual

DOOR STATION DR-nUM/RF1, DR-nUS



www.commax.com

COMMAX Co.,Ltd.



- Thank you for purchasing COMMAX products.
- Please carefully read this User's Guide (in particular, precautions for safety) before using a product and follow instructions to use a product exactly.
- The company is not responsible for any safety accidents caused by abnormal operation of the product.



Contents

1. Introduction	2
2. Important Safeguard	3
3. Overview	4
4. How to Use	4
5. Method of using RF card key	5
6. Wiring	7
7. Part List	9
8. Specification	11
9. RF-ID Model	12



1. Introduction

Your unit is designed so it can be flush mounted on the wall or used. When flush mounted on the wall, the stand permits you to view the unit for an angular view. The model number is located on the bottom and record the serial number in the space provided below (available). Refer to these numbers whenever you call upon your COMMAX dealer regarding this product.

Model No.

Serial No.

To prevent fire or shock hazard, do not expose the unit to rain or moisture.



This symbol is intended to alert the user to the presence of uninsulated **"dangerous Voltage"** within the product's enclosure that may be of sufficient magnitude to constitute a risk of electric shock to persons.



This symbol is intended to alert the user to the presence of important operating and maintenance (servicing) instructions in the literature accompanying the appliance.



caution

Risk of electric shock
do not open



CAUTION : To reduce the risk of electric shock, do not remove cover (or back) no user-serviceable part inside refer servicing to qualified service personnel

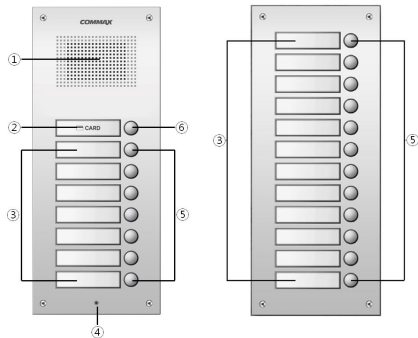


2. Important Safeguard

- ▲ **Damage Requiring Service:** This equipment from the power source and source and refer servicing to qualified service personnel under the following conditions:
 - ① when the power is damaged.
 - ② if liquid has been spilled or objects have fallen into the unit
 - ③ if the equipment has been exposed to rain or water.
 - ④ if the equipment has been dropped or otherwise damaged.
 - ⑤ when the equipment exhibits a distinct change in performance- this indicates a need for service.
- ▲ **Water and Moisture:** Do not use this product near water, for example, near a bath tub, wash bowl, kitchen sink, or laundry tub, in a wet basement, or near a swimming pool, and the like.
- ▲ **Accessories:** The product may fall, causing serious injury to a child or adult, and serious damage to the appliance. Any mounting of the manufacture's instructions, and should use a mounting accessory recommended by the manufacturer.
- ▲ **Object and Liquid Entry:** Never push objects of any kind into this product through openings as they may touch dangerous voltage points or short-out parts that could result in a fire or electric shock. Never spill liquid of any kind on the product.
- ▲ **Lightning:** For added protection for this product before a lightning storm, or when it is left un attached and un used for long periods of time, unplug it from the wall outlt and disconnect the other system. This will prevent damage to the product due to lightning and power-line surges. If you live in an area heavily prone to lightning storms, it is recommended that you invest in power-line, telephone-line, RFcable and actuator/ polarization surge protectors to protect your appliance system from possible damage




3. Overview



No.	FUNCTIONS	No.	FUNCTIONS
1	SPEAKER	4	C-MIC
2	13.56MHz RF Reader	5	Call Button
3	NAME CARD	6	RFCard Delete Option Button

4. How to use

- * When you press the call button to a desired resident, the calling sound rings
(Notice : The calling sound rings while you only press the call button)
- * You can talk with a resident when they answer your call
- * If you want to open the door using a RF card key, please tag it to this( CARD) point.

Notice

1. DR-nUM/RF1 is available to call to a household or talk with a resistant as Master Unit
2. Please install DR-nUS together with DR-nUM/RF1
DR-nUS is only available to call to a household as this is just a product to extend the number of households on the DR-nUM
3. The word “n” of DR-nUM/RF1 , DR-nUS means the number of households that you can call.
 - * DR-nUM/RF1 : 1UM / 3UM / 5UM / 7UM
 - * DR-nUS : 4US / 6US / 8US / 10US / 12US



5. Method of using RF card key

- Caution : You can use only mini type RF card by COMMAX

* Type of button

Button 1 : Master card registration button (For registration purpose) -> rear REGISTRATION button

Button 2 : Master Card registration button (For card deletion purpose) -> rear DELETE button

Button 3 : Deletion button / Front (Outer) Option button



1. How to register Master Card

1) Master card for Registration.

- (1) LED slowly flickers with beep sound on pressing button 1.
- (2) Tag the master card for registration on LED flickering.
- (3) If registered normally, LED flickering and beep sound stops.

2) Master card for deletion

- (1) LED flickers fast with beep sound on pressing button 2.
- (2) Tag the master card for deletion on LED flickering.
- (3) If registered normally, LED flickering and beep sound stops.

* Remark

- 1) Master card can be registered both registration/deletion purpose (1card/each purpose only)
- 2) In case of new master card registration, the previous master card information will be deleted and new card information will be registered.

2. Door release card registration/deletion

1) Card registration

(1) On tagging the master card for registration, LED slowly flickers with beep sound (Entering registration mode).

(2) Beep sound comes out when door release card is tagged.

(3) In case more than 1 cards have to be registered, repeat above (2) procedure.

(4) Press button 3. when the registration finish.

2) Individual Card deletion

(1) LED flickers fast on tagging master card for deletion. (Entering Pre-Deletion mode).

(2) Press button 3. Then beep sound comes out. (Entering Individual deletion mode)

(3) After tagging the card which need to be deleted, LED flickering and beep sound stops.

(4) Repeat (1)~(3) procedure to delete other cards.

3) All cards deletion

(1) On tagging the master card for deletion, LED flickers fast (Entering Pre-Deletion mode).

(2) Press button 3.(5seconds). Then, LED flickers faster with beep sound. (Entering All cards deletion mode)

(3) Tag master card for deletion again. Then, LED gets turned off and all cards deletion will be processed. After all cards information deleted, LED gets turned on with beep sound.

* Remark

1) Maximum 2,046 cards can be registered.

2) In case of exceeding card registration memory, beep sound comes out for 1.5 second.

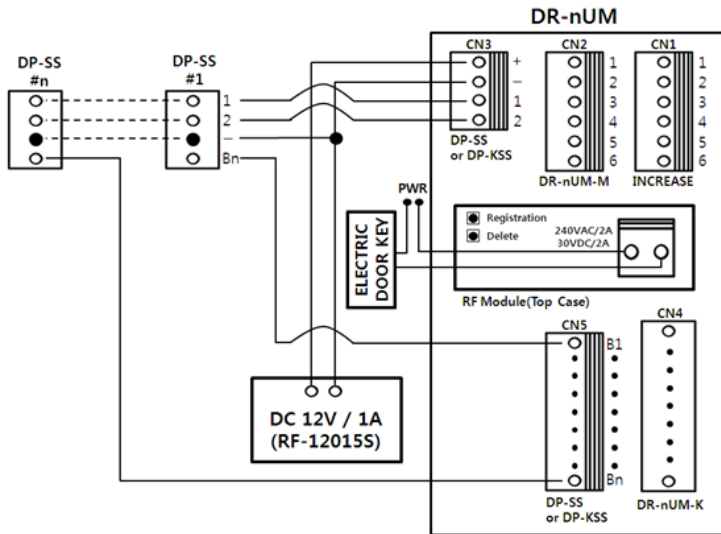
3) Press button 3. to escape from registration/deletion mode while processing registration/deletion process.

4) Do not turn off the device until all cards deletion process is completed.

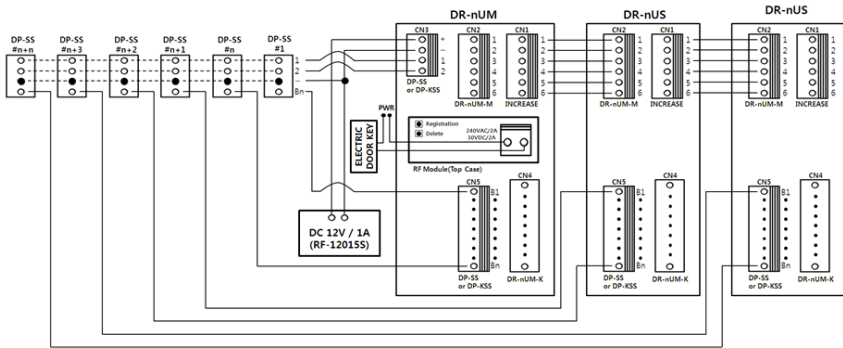


6. Wiring

(1)DR-Num installation



(2) DR-nUM installation with DR-nUS, extentional unit





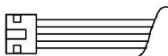
7. PART LIST



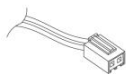
DR-nUM



MANUAL



4P * 1(EA)



2P[3.96] * 1(EA)



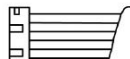
2P * 1(EA)

DR-1UM/RF1



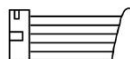
3P * 1(EA)

DR-3UM/RF1



5P * 1(EA)

DR-5UM/RF1



7P * 1(EA)

DR-7UM/RF1

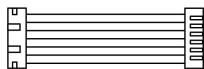
[DR-nUS] Part List



DR-nUS



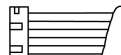
MANUAL



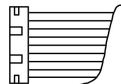
6P * 1(EA)



[DR-4US]
4P * 1(EA)



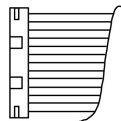
[DR-6US]
6P * 1(EA)



[DR-8US]
8P * 1(EA)



[DR-10US]
10P * 1(EA)



[DR-12US]
12P * 1(EA)



8. Specification

Model No.	DR-nUM/RF1, DR-nUS				
Power source	DC12V, 1A				
Wiring	Common 3 wires + Individual 1 wire				
	[3 wires : 1,2,3] + [1 wire : L1]				
Communication	Hands-free				
Display	LED				
Temperature	-10℃(tested up to -40℃) ~ +50℃, 95%				
Dimension(mm)	DR-7UM/RF1, DR-nUS	142(W) x 315(H) x 50(D)			
	DR-1UM/RF1, 3UM/RF1, 5UM/RF1	L : 130(W) x 315(H) x 50(D)			
		M : 130(W) x 250(H) x 50(D)			
Communication	Diameter	∅ 0.5	∅ 0.65	∅ 0.8	∅ 1.0
Distance	Distance	30m	50m	70m	100m



9. RF-ID Model

Model Name	DR-nUM/RF1 ('n' is the number of households what can be called)
Frequency	13.56MHz
Antenna power range	Under 47.5mV/m within 10 meter radius
Power	DC 5V
Emission Type	A1D
Number of Channel	1 Channel
Modulation method	ASK
Communication method	Simplex Operation Method
Temperature	-10°C (tested up to -40°C) ~ +50°C, 95%



MEMO

A large, empty rectangular box with rounded corners, intended for writing a memo.

COMMAX

COMMAX Co.,Ltd.

513-11, Sangdaewon-dong, Jungwon-gu, Seongnam-si, Gyeonggi-do, Korea
Int'l Business Dept. : Tel.; +82-31-7393-540~550 Fax.; +82-31-745-2133
Web site : www.commax.com

PM13NUMNUS11

Printed In Korea / 2013.12.105