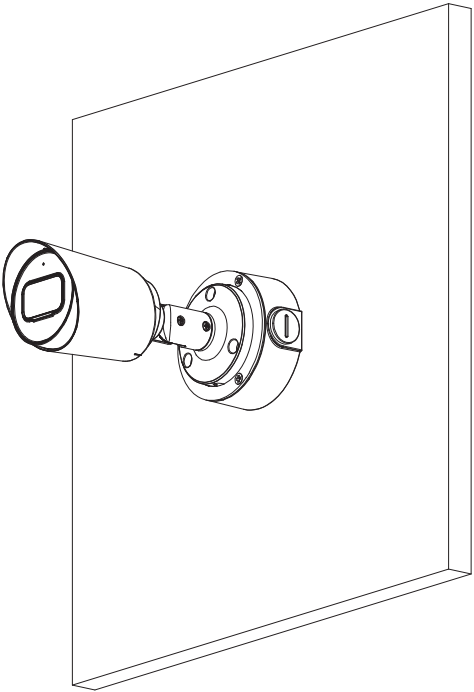
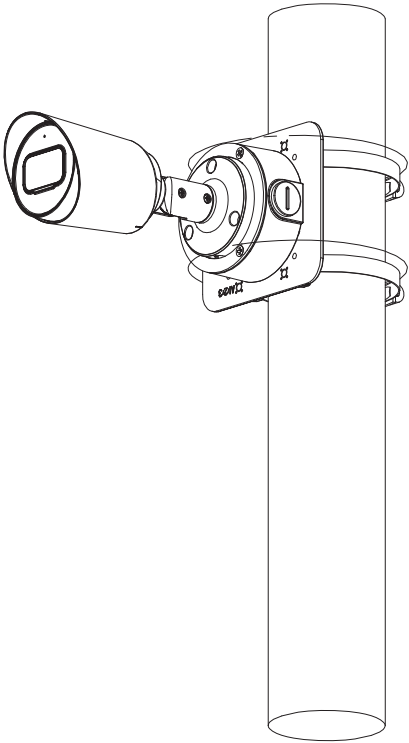


Junction Mount	Pole Mount
PFA134	PFA134 + PFA152-E
 A technical line drawing showing a camera lens assembly mounted to a flat rectangular surface. The camera lens is cylindrical with a square sensor area on its front. It is connected to a circular mounting bracket with several screws. The entire assembly is shown protruding from the surface.	 A technical line drawing showing a camera lens assembly mounted to a vertical cylindrical pole. The camera lens is cylindrical with a square sensor area on its front. It is connected to a circular mounting bracket with several screws. The bracket is secured to the pole by a metal band with two loops. The camera lens is positioned horizontally, pointing to the left.