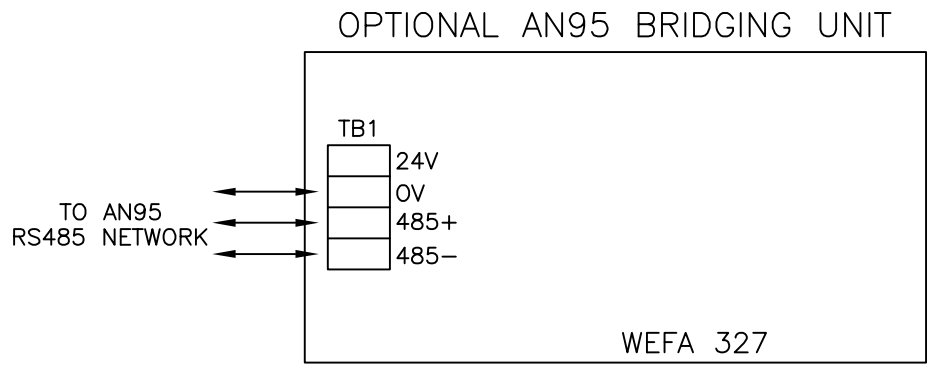
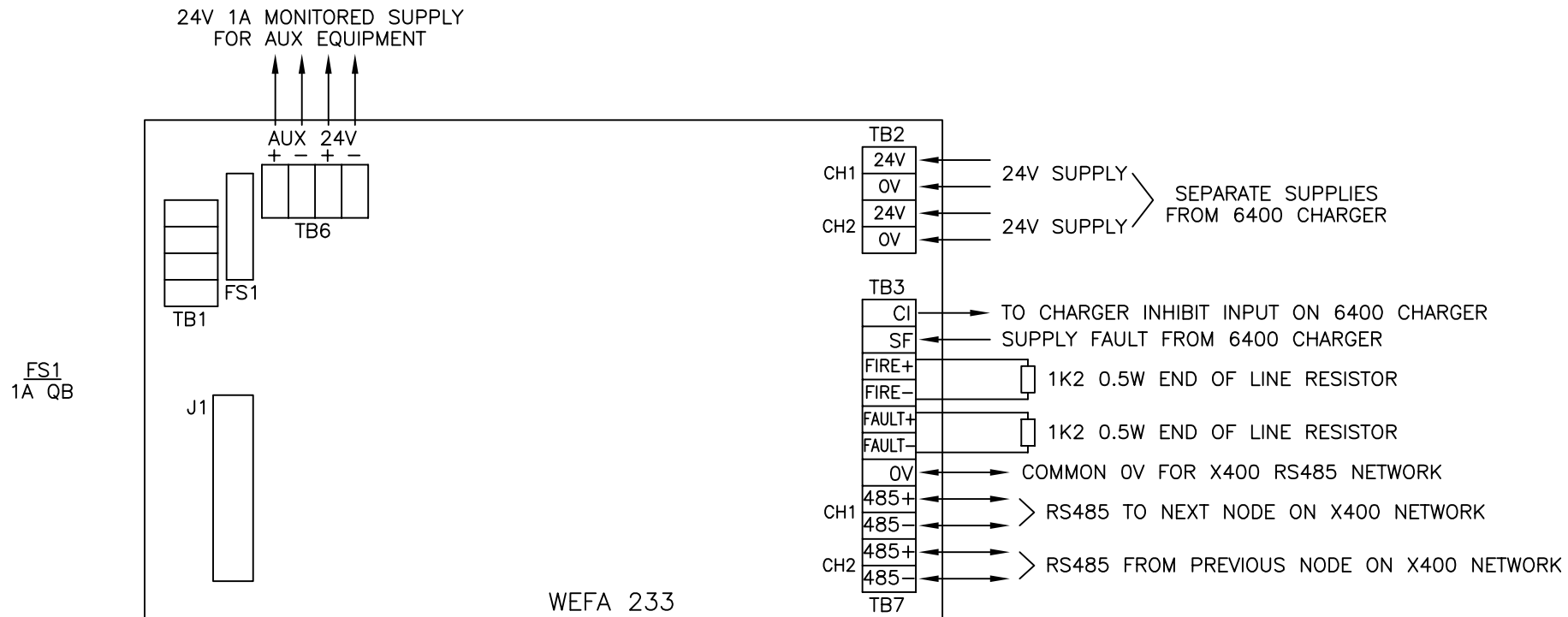


ISSUE	ALTERATIONS	DRAWN	APP'D	MOD No.	DATE



WARNING:- THIS PANEL MUST BE EARTHED IN ACCORDANCE WITH CURRENT IEE REGULATIONS

 Protec Protec Fire Detection plc Protec House, Churchill Way, Lomeshaye Ind. Est Nelson, Lancashire, U.K. BB9 6RT Tel (01282) 717171 Fax (01282) 717273	SCALE	DESIGNED	
	N.T.S.	DRAWN	C.WHITAKER 29.05.03
		CHECKED	J.WEARDEN 30.05.03
	APPROVED	P.DEW 30.05.03	
TITLE EXTERNAL CONNECTIONS FOR 6400 DCN			

DRAWING No.	PID227	JOB No.	
ISSUE	0		