

844 ER

FAAC

garmotor **for sliding gates with max weight of 1.800 kg** **844 ER Z16 for rack applications** **844 R for rack applications (without pinion)** **844 R CAT for chain applications** **844 R RF for chain applications with idle transmission**



IDEAL FOR COMMERCIAL OR INDUSTRIAL GATES

The FAAC 844 gearmotor was designed to move the heaviest commercial or industrial gates in the simplest, most convenient way.

TOTAL SAFETY

The special twin-disk anti-crushing clutch, in oil-bath, enables thrust adjustment from 0 to 110 daN. As the gearmotor is non-reversing, no electric locks need be installed and, in the event of power failure, the key-operated release device makes it possible to open and close the gate manually.

LONG LIFE

Constant, complete oil-bath lubrication of mechanical components plus assembly in a high resistance pressure – cast aluminium body ensure a very long life.

RELIABLE, SAFE ELECTRONICS

All commands come from a FAAC designed control board with microprocessor, on the leading-edge in terms of safety and reliability. Leaf stopping space can be electronically programmed.

EASY AND INEXPENSIVE

The electronic equipment housed inside the gearmotor facilitates and speeds up installation, at lower cost.

844 ER Z16 SPECIFICATIONS

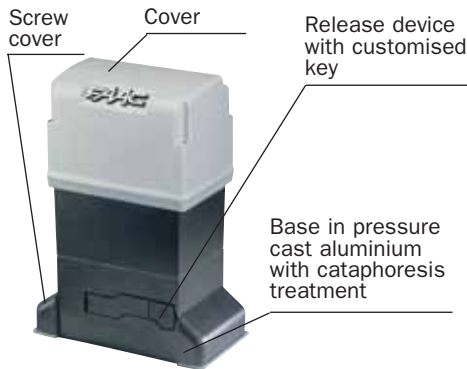
Non-reversing screw gearmotor • Gate maximum weight 1.800 Kg • Gate speed 9,5 m/min • Use frequency max. 70% • Max thrust 110 daN • Electric motor power supply 230 Vac (+6% -10%) 50 (60) Hz • Electric motor power 650 W • Thermal protection at 130° C built into motor winding • Operating ambient temperature -20°C ÷ +55°C • Protection class IP 44 • Lever operated release device with coded key • Single-phase, bi-directional motor (1,400 rpm) • Pinion gear Z16/module 4 • Inductive limit - switch (chain version) • Magnetic limit-switch (rack version) • Lower and upper half-body in pressure cast aluminium with cathodolysis treatment • Twin-disk clutch in oil-bath • Opening/closing force adjustable by hexagonal key • Galvanised foundation plate with side and height adjustment (optional) • Dimensions 275x191x187 mm (LxWxH) • Built-in 780D control board • ABS control board enclosure with triangular key

780D CONTROL BOARD

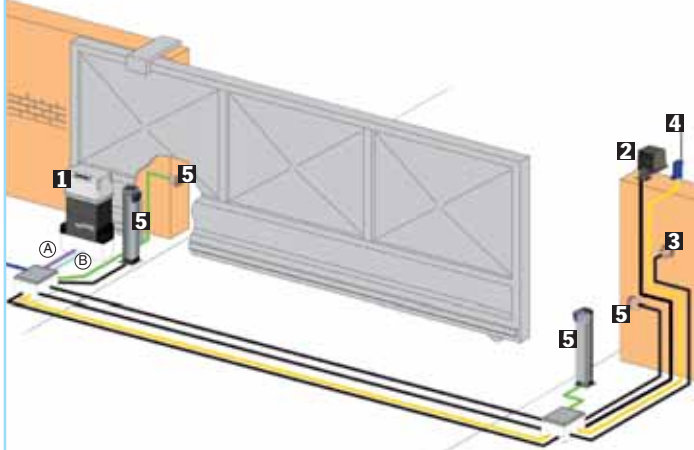
Transformer: faston connection to the PCB • **Power supply:** 230 Vac (+6%-10%) 50 Hz • **Absorbed power:** 10 W • **Motor max. load:** 1000 W • **Accessories max. load:** 0,5 A • **Operating ambient temperature:** -20°C ÷ +55°C • **Fuses:** 2 • **Function logics:** Automatic/"Stepped" automatic/Semi-automatic/Safety devices/Semi-automatic B / Dead-man C /"Stepped" semi-automatic / Mixed B/C logic • **Work time:** Programmable (from 0 to 4,1 min) • **Pause time:** Programmable (from 0 to 4,1 min) • **Thrust force:** Adjustable over 50 levels • **Terminal board inputs:** Open - Partially Open - Opening safety devices - Closing safety devices - Stop - Edge - Power supply + Earth • **On-connector inputs:** Opening and closing limit-switch/Motor capacitor • **Terminal board outputs:** Flashing lamp - Motor - 24 Vdc accessories power supply - 24Vdc indicator-light - Timed output - Electric lock command - "traffic lights" - Fail safe • **Rapid connector:** Plug-in receiver - Decoding card • **Programming:** Nr. 3 keys(+,-,F) and display, "basic" or "advanced" mode • **"Basic" mode programmable functions:** Function logic - Pause time - Thrust force - Opening-closing direction • **"Advanced" mode programmable functions:** Torque at initial thrust - Braking - Fail safe - Pre-flashing - Indicator-light/Timed output/Electric lock or "traffic lights" command - Opening and closing safety devices logic - Encoder/Anti-crushing sensitivity - Deceleration - Partial opening time - Worktime - Assistance request - Cycle counter

Note: 844 ER CR, 844 ER CAT, 844 ER RF mod.: without control board, for 578 D remote application into E-L-LM plastic enclosure.

844 ER



INSTALLATION LAYOUT

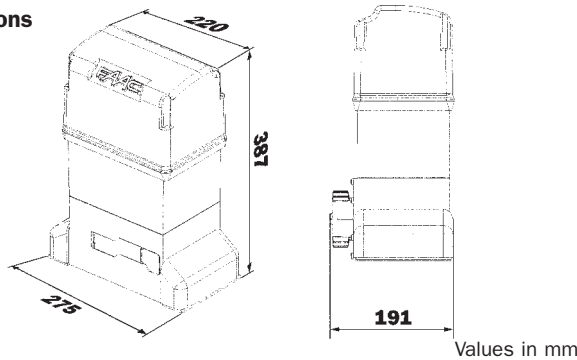


- 1 FAAC 844 ER Z16 with built-in control board /MINIDEC DS
- 2 FAACLIGHT
- 3 FAAC T10
- 4 FAAC PLUS 1 433
- 5 FAAC FOTOSWITCH

Low voltage cabling		Power cabling (230V)	
A	4 cables 3x0,5	B	1 cable 2x1,5+T
	2 cables 2x0,5		1 cable 2x1,5

Note: cable diameters in mm²

Dimensions



FAAC

FAAC S.p.A. via Benini, 1
40069 Zola Predosa - Bologna (Italia)
tel. +39 051 61724 • fax +39 051 758518
www.faacgroup.com



Model	Use	
	Max weight (kg)	Use frequency (%)
844 ER Z16	1.800	70
844 R	-	70
844 R CAT (*)	-	70
844 R RF (*)	-	70

Note: It is possible to control the 844 ER CR (without control board) by means of the 462 DF. The latter can be inserted inside the gearmotor by using an optional kit.

marka.bo.it

Technical specifications of 844	ER Z16	R	R CAT	R RF
Power supply	230 Vac (+6% -10%) 50 (60) Hz			
Absorbed power	650 W			
Absorbed current	3,5 A			
Traction and thrust force	0÷110 daN (Z16)			
Motor rotation speed	1.400 rpm			
Reduction ratio	1:30			
Operating ambient temperature	-20°C ÷ +55°C			
Weight with oil	14,5 kg			
Protection class	IP 44			
Type of oil	FAAC OIL XD 220			
Gate speed	9,5 m/min (Z16)			
Thermal protection on motor winding	120°C			
Electric motor	Single-phase, bi-directional			
Limit-switch	Magnetic		Inductive	
Clutch	Twin-disk in oil-bath			

Specifications	780 D control board (included into 844 ER Z16 model)	578 D (control board for far applications)
Transformer	Faston connection to the PCB	Integrated
Power supply	230 Vac (+6%-10%) 50 Hz	
Absorbed power	10 W	
Motor max. load	1000 W	
Accessories max. load	0,5 A	
Operating ambient temperature	-20°C ÷ +55°C	
Fuses	2	
Function logics	Automatic/"Stepped" automatic/Semi-automatic/Safety devices/Semi-automatic B / Dead-man C /"Stepped" semi-automatic / Mixed B/C logic	
Work time	Programmable (from 0 to 4 min)	
Pause time	Programmable (from 0 to 4 min)	
Thrust force	Adjustable over 50 levels	
Terminal board inputs	Open - Partially Open - Opening safety devices - Closing safety devices - Stop - Edge - Power supply	Open - Partially Open - Opening safety devices - Closing safety devices - Stop - Edge - Power supply + earth - Opening and closing travel limit/Encoder
On-connector inputs	Opening and closing limit-switch/Motor capacitor	
Terminal board outputs	Flashing lamp - Motor - 24 Vdc accessories power supply - 24Vdc indicator-light - Timed output - Electric lock command - "traffic lights" - Fail safe	
Rapid connector	Plug-in receiver - Decoding card	
Programming	Nr. 3 keys(+,-,F) and display, "basic" or "advanced" mode	
"Basic" mode programmable functions	Function logic - Pause time - Thrust force - Opening-closing direction	
"Advanced" mode programmable functions	Torque at initial thrust - Braking - Fail safe - Pre-flashing - Indicator-light/Timed output/ Electric lock or "traffic lights" command - Opening and closing safety devices logic - Encoder/Anti-crushing sensitivity - Deceleration - Partial opening time - Worktime - Assistance request - Cycle counter	
Status indication	Display	
Plastic enclosures	None compatibility	E - L -LM Mod.

908303004 - Rev. 10 - Zucchini - 6.000 - 07/2005 - The descriptions and illustrations contained in the present brochure are not binding. FAAC reserve the right to undertake product technical modifications without prior notice.