

740 - 741

FAAC

gearmotor for residential sliding gates with max weight of 500 kg (740) and 900 kg (741)



AUTOMATIC SIMPLICITY

A practical package, containing a gearmotor with built-in electronic equipment and securing plate, automates both new and existing sliding gates weighing up to 900 kg.

IDEAL FOR RESIDENTIAL APPLICATIONS

The electronic equipment inside the gearmotor facilitates and speeds up installation, at lower cost. Control board enclosure with "rotation" facility to help electrical wirings.

ELECTRONIC SAFETY RELIABLE UNDER ALL CONDITIONS

Anti-crushing protection is ensured by an electronic device directly controlling drive torque. For extra safety, an efficient obstacle detector is available. The FAAC 740/741 gearmotors perform uniformly at all latitudes and under all types of duty, and all commands are supplied by an extremely safe and reliable microprocessor.

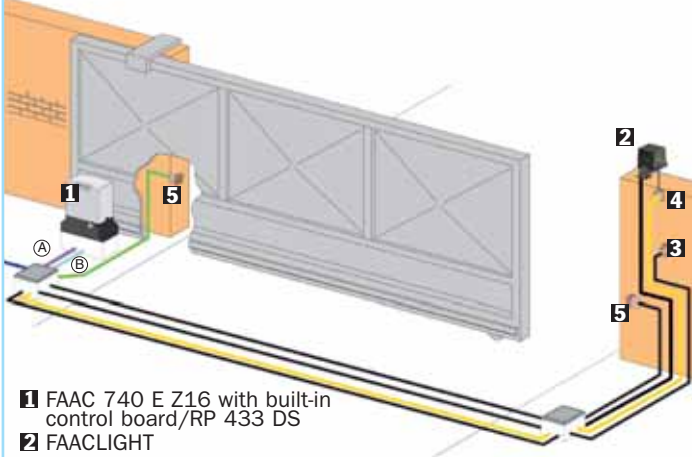
IRREVERSIBLE

As the gearmotor is non reversing, no electric locks need be installed and, in the event of power failure, the release device (protected by a customised key) makes it possible to open and close manually.

SPECIFICATIONS

Non-reversing screw gearmotor • Gate max weight 500 Kg (mod. 740), 900 kg (mod. 741) • Gate max length 15 m • Gate speed 12 m/min • Max. use frequency 30% (mod. 740 E Z16) 40% (mod. 741 E Z16) • Max thrust 45 daN (mod. 740 E Z16) 65 daN (mod. 741 E Z16) • Electric motor power supply 230 Vac (+6% -10%) - 50 (60) Hz • Electric motor power 350 W (mod. 740 E Z16) 500 W (mod. 741 E Z16) • Thermal protection at 140°C built into motor winding • Operating ambient temperature -20°C +55°C • Protection class IP44 • Rotating release device with key • Single-phase bi-directional motor (1,400 rpm) • Pinion Z 16/module 4 • Reduction ratio 1:25 • Mechanical limit switch • ABS protective housing • Galvanised foundation plate • Dimensions (L x W x H) 295 x 221 x 322 mm (including pinion) • **Built-in control board** • 2 protection fuses • **Function logics:** Automatic / "Stepped" automatic/Semi-automatic/Safety devices/Semi-automatic B/Dead-man C/"Stepped" Semiautomatic/Mixed B/C logic • **Work time:** programmable (from 0 to 4 min.) • **Pause time:** programmable (from 0 to 4 min.) • Thrust force adjustable over 50 levels • **Terminal board inputs:** Open/Partial open/Safety devices at opening/Safety devices at closing/Stop/Edge/ Power supply + Earth • On-conductor inputs: opening and closing limit-switches/Encoder • **Terminal board outputs:** Flashing lamp - Motor - 24 Vdc accessories power supply - 24 Vdc indicator-light/Timed output - Fail safe • **Rapid connector:** for Minidec, Decoder or RP receivers • **Programming:** 3 keys (+, -, F) and display, "basic" or "advanced" mode • **"Basic" mode programmable functions:** Function logic - Pause time - Thrust force - Gate direction • **"Advanced" mode programmable functions:** Torque at initial thrust - Braking - Fail safe - Pre-flashing - Indicator-light/Timed output/Electric lock or "traffic lights" command - Opening and closing safety devices logic • **Encoder (optional)/Anti-crushing sensitivity** - Decelerations - Partial opening time - Work time - Assistance request - Cycle counter

INSTALLATION LAYOUT

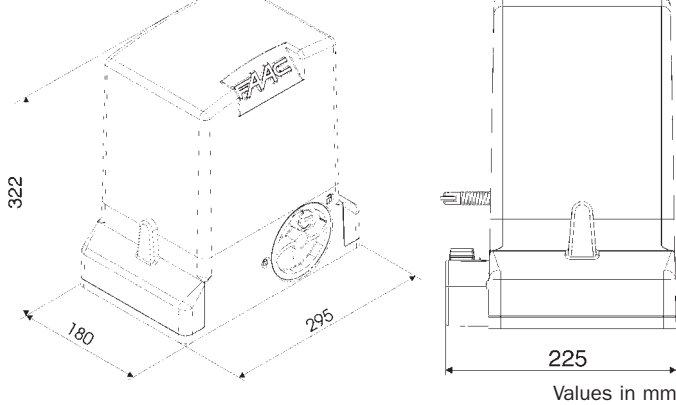


- 1 FAAC 740 E Z16 with built-in control board/RP 433 DS
- 2 FAACLIGHT
- 3 FAAC T10 E
- 4 ANTENNA 433 MHZ
- 5 FAAC SAFEBEAM

Low voltage cabling		Power cabling (230V)	
A	3 cables 3x0.5	B	1 cable 2x1.5+T
	1 cable 2x0.5		1 cable 2x1.5

N.B: Cable diameters in mm²

Dimensions



Technical specifications	740 E Z16	741 E Z16
Power supply	230 Vac 50 (60) Hz	
Absorbed power	350 W	500 W
Absorbed current	1,5 A	2,2 A
Traction and thrust force	45 daN	65 daN
Motor rotation speed	1400 g/min	
Thermal protection on motor winding	140°C	
Reduction ratio	1:25	
Weight	500 kg	900 kg
Gate speed	12 m/min (pinion Z16)	
Operating ambient temperature	-20°C ÷ +55°C	
Protection class	IP 44	
Dimensions	295x225x325 (pinion included)	



Cover

Rotating release device easy to operate and key "protected" (standard)

Plastic cover control board

740 D control board



Model	Use	
	Max weight (kg)	Use frequency (%)
740 E Z16	500	30 (S3)
741 E Z16	900	40 (S3)

Specifications of 740 D control board

Power supply	230 Vac (+6% -10%) 50 Hz
Absorbed power	10 W
Motor maximum load	1000 W
Accessories max load	0.5 A
Operating ambient temperature	-20° C ÷ +55° C
Protection fuses	2
Function logics	Automatic / "Stepped" automatic / Semi-automatic / Safety devices / Semi-automatic B / Deadman C / "Stepped" Semi-automatic/Mixed B/C logic
Work time	Programmable (from 0 to 4 min.)
Pause time	Programmable (from 0 to 4 min.)
Thrust force	Adjustable over 50 levels
Terminal board inputs	Open/Partial open/Safety devices at opening/Safety devices at closing/Stop/Edge/Power supply + Earth
On-connector inputs	Opening and closing limit-switches / Encoder
Terminal board outputs	Flashing lamp - Motor - 24 Vdc accessories power supply - 24 Vdc indicator-light / Timed output - Fail safe
Rapid connector	For Minidec, Decoder or RP receivers
Programming	3 keys (+, -, F) and display, "basic" or "advanced" mode
"Basic" mode programmable functions	Function logic - Pause time - Thrust Force - Gate direction
"Advanced" mode programmable functions	Torque at initial thrust - Braking - Fail safe - Pre-flashing - Indicator-light/Timed output/Electric lock or "traffic lights" command - Opening and closing safety devices logic - Encoder (optional)/Anti-crushing sensitivity - Decelerations - Partial opening time - Work time - Assistance request - Cycle counter

FAAC

FAAC S.p.A. via Benini, 1
40069 Zola Predosa - Bologna (Italia)
tel. +39 051 61724 • fax +39 051 758518
www.faacgroup.com

